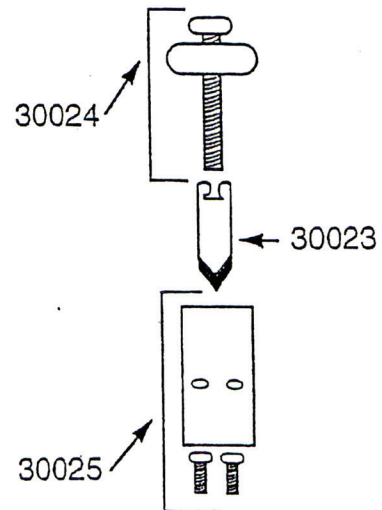
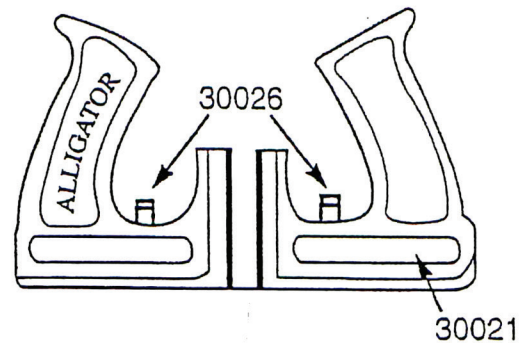
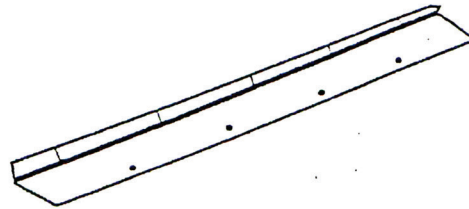


# Alligator® Wide Belt Cutter Parts

ITEM CODE	ORDER NUMBER	PART DESCRIPTION
30934	312	Cutter Base Only
30935	318	(300 Series)
30936	324	
30937	330	
30938	336	
30939	342	
30940	348	
30941	360	
30950	430	WBC Cutter Base
30951	436	Only (400 Series)
30952	442	
30953	448	
30954	460	
31010	30021	Head Casting
30909	30023	Cutter Blade
30911	30024	Adjusting Screw Unit
31011	30025	Side Plate w/Screws
30912	30026	Brass Adjusting Screw
30910	30027	Connecting Bar*
30921	B823	Cutter Blade for B8 Cutter
30923	B823FH	Cutter Blade for B8FH Cutter



\*INCLUDES DRILLING OF TWO CUTTER BASES.

2525 Wisconsin Avenue • Downers Grove, IL 60515-4200 • USA  
Tel: (630) 971-0150 • Fax: (630) 971-1180 • E-mail: info@flexco.com

Visit [www.flexco.com](http://www.flexco.com) for other Flexco locations and products.

©1997 Flexible Steel Lacing Company. Alligator® is a registered trademark. 01-04-17. For reorder: X0248

