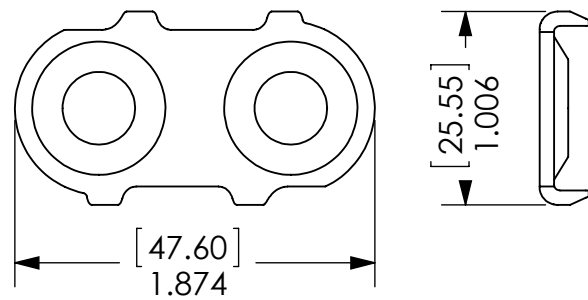


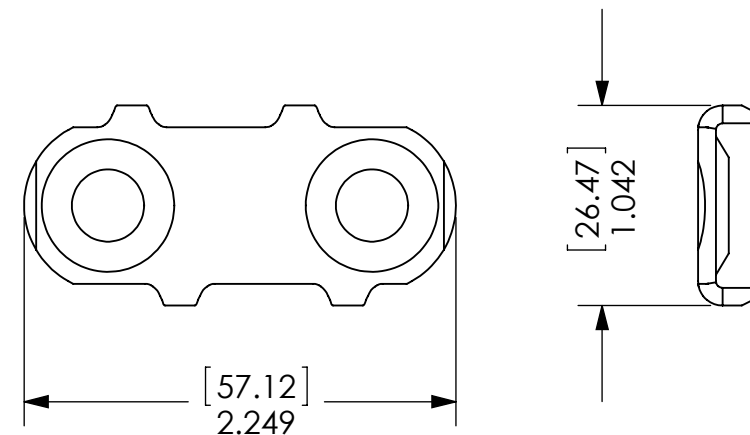
Flexco® Bolt Solid Plate Reference Guide

FOR REFERENCE USE ONLY

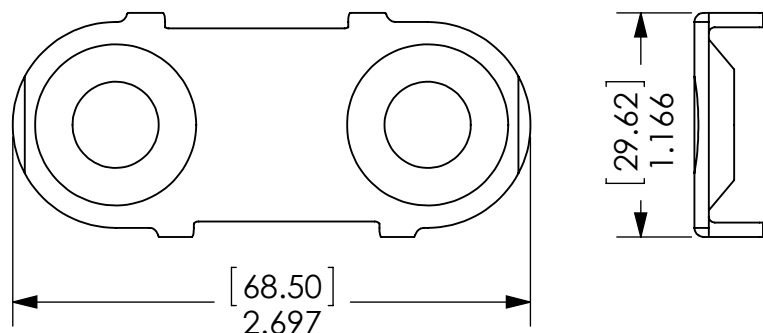
**For common sizes, always refer to
selection chart for correct fasteners.**



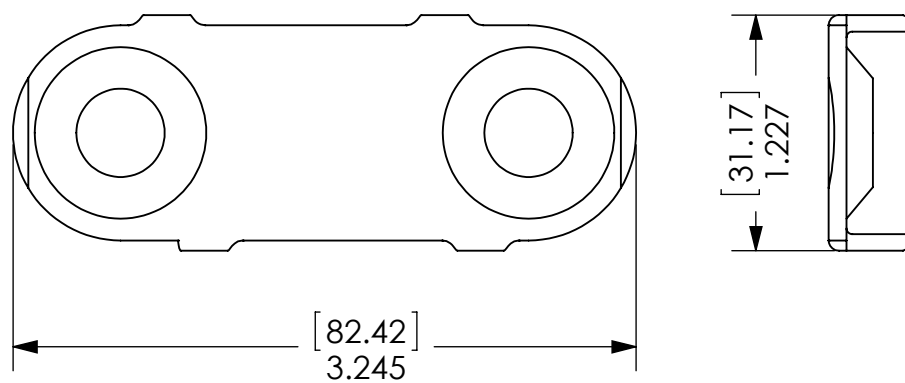
NO. 1



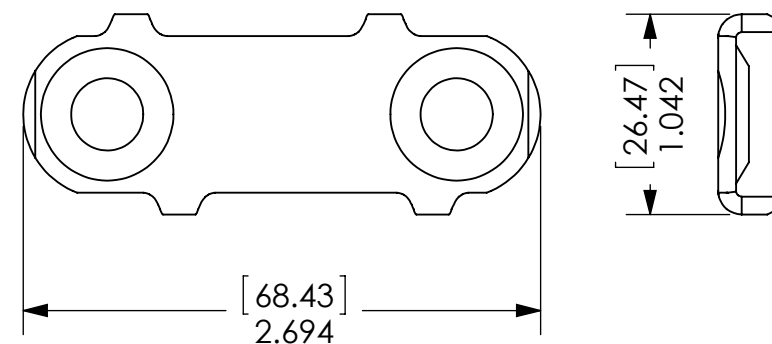
NO.140



NO 1-1/2



NO. 2



NO.190

240 Macpherson Road • #02-01 • Singapore 348574
Tel: +65-6484-1533 • Fax: +65-6484-1531 • E-mail: asiasales@flexco.com

Visit www.flexco.com for other Flexco locations and products.

©2016 Flexible Steel Lacing Company. Flexco® is a registered trademark. 06-13-19. W436

