

Product Handbook

Effective January 1, 2025

BCPPHB1

Belt Conveyor Products



Av. Jorge Alessandri 11.500 – Edificio 7
Megacentro San Bernardo, San Bernardo, Santiago, Chile

Phone: 56-2-2896-7870

Email: ventaslatam@flexco.com

www.flexco.com

Patents: www.flexco.com/patents

Pages 2–3 intentionally omitted.

Pages 2–3 intentionally omitted.

Table of Contents

Belt Cleaners

Belt Cleaner Information and Selection Guide	6
---	----------

Precleaners

EZP1 Standard, Twist Tensioner and Hi-Temp Precleaners; ConShear™ Replacement Blades.....	11
EZP-LS Limited Space Precleaner.....	25
MSP Standard Mine-Duty Precleaner & ConShear™ Replacement Blades.....	34
MMP Medium Mine-Duty Precleaner & TuffShear™ Replacement Blades.....	41
MHP Heavy Mine-Duty Precleaner & MegaShear™ Replacement Blades.....	49
MHCP Heavy-Duty Cartridge Precleaner & SuperShear™ Replacement Blades.....	56
MPX Extreme-Duty Precleaner & UltraShear™ Replacement Blades.....	61
H-Type® Precleaners.....	65

Secondary Cleaners

EZS2 Secondary Cleaners.....	76
Y-Type™ Secondary Cleaners.....	80
P-Type® & P-Type LS (Limited Space) Secondary Cleaners.....	88
R-Type® Reversing Secondary Cleaners.....	92
FMS Medium-Duty Secondary Cleaner.....	95
MHS HD Secondary Cleaners.....	98
P-Type® Secondary Cleaners with Enhanced Service Advantage™ Cartridge.....	108
R-Type® Secondary Cleaners with Enhanced Service Advantage™ Cartridge.....	112
MHS HD Secondary Cleaners with Enhanced Service Advantage™ Cartridge.....	116
MHS HD Secondary Cleaners with Service Advantage™ Cartridge – Legacy Replacement Parts.....	119
U-Type® Secondary Cleaners.....	120
MDWS DryWipe Secondary Cleaner.....	123
Motorized Brush Cleaner.....	127
Chevron Belt Cleaner.....	130
Continuous Blade Secondary Cleaner.....	131

Optional Mounting Kits and Accessories

Optional Mounting Kits.....	138
Spring Tensioner Accessories.....	139

Belt Cleaner Accessories

Inspection Door.....	140
Spray Pole Systems.....	142
Wash Box.....	143
Stabilizing Roller Bracket Kits.....	145
Live-Shaft Hold-down Rollers.....	146
Optional Installation Tools.....	147
Legacy Belt Cleaner Parts – H-Type® and I-Type™.....	148

Table of Contents

Replacement Blades for Other OEM Cleaners

ConShear™ Replacement Blades for Other OEM Cleaners	150
Martin Engineering	152
Arch/Gordon	156
Superior Exterra®	158
ASGCO	159
Argonics	160
Stephens-Adamson Metso/Trellex	161
Martin Engineering Durt Hawg®	162
Martin Engineering Durt Tracker®	163

Belt Plows

V-Plows and Diagonal Plows.....	165
---------------------------------	-----

Slider and Impact Beds

Belt Support Systems	169
Belt Support Bar	169
Flexco Slider and Impact Beds	170
EZSB-C & EZSB-I Slider Beds; EZIB-L & EZIB-M Impact Beds; Modular Impact Beds; Adjustable Idler Sets	171
DRX® Impact Beds	189
DRX™ 200, DRX™ 750, and DRX™ 1500 Impact Beds; DRX™ 3000 and DRX™ 4500 Dynamic Beds.....	190
Optional Parts and Tools.....	200

Belt Positioners and Trainers

Belt Positioner™, PTEZ™, PT Smart™, and PT Max™	201
---	-----

Skirting Systems

Enclosed Skirting, Standard Urethane Skirting; Skirt Clamps – RMC1, Flex-Lok™, and FlexSeal™	219
--	-----

Belt Maintenance Tools

Flex-Lifter™, Flexco Belt Cutters, and Belt Clamps	229
--	-----

Pulley Lagging

Flex-Lag® Rubber, Full and Medium Ceramic, Adhesives, Weld-on™ Rubber and Ceramic.....	237
--	-----

Index	243
--------------------	------------

Belt Cleaner Information and Selection Guide

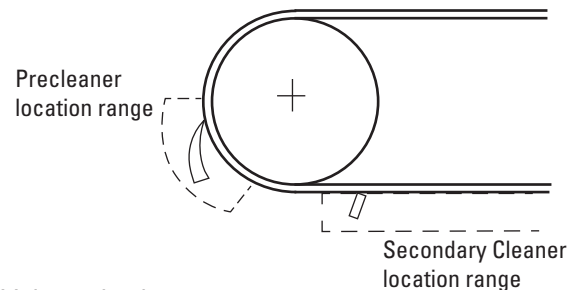
Why Are Belt Cleaners Needed?

- **Saves Money**
 - Increases belt wear life.
 - Extends life of rollers, pulleys and splices.
 - High cost of accidents.
- **Reduces Maintenance Costs**
 - Minimizes manual cleanup.
 - Protects against belt mistracking.
 - Reduces conveyor component replacement costs.
 - Reducing carryback from 3% to 1% means a 67% reduction in maintenance costs.
- **Keeps Conveyors Running Efficiently and Consistently**
 - Reduces unscheduled downtime.
 - Increases production uptime.
- **Improves Safety**
 - Reduces housekeeping problems.
 - 42% of conveyor-related accidents happen while maintenance tasks are being done.



Types of Belt Cleaners

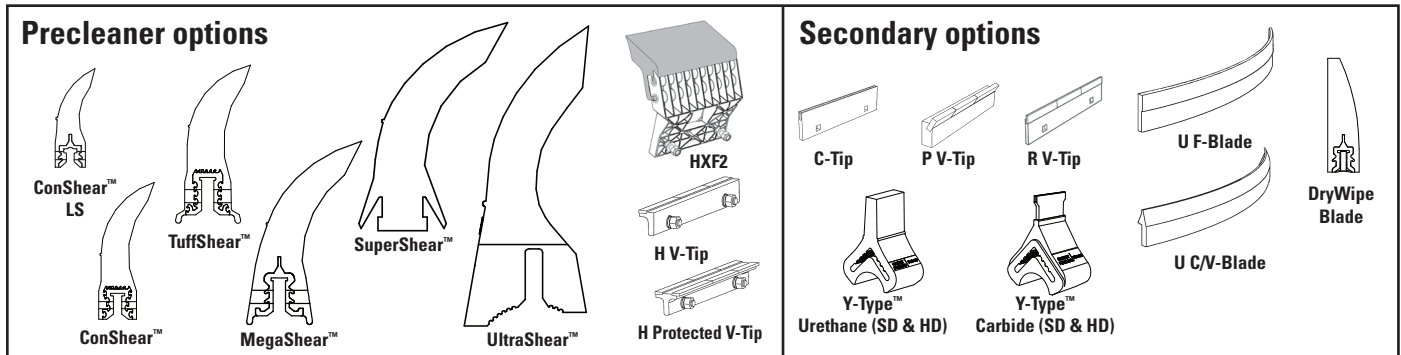
- **Precleaners**
 - Mounted on the head pulley.
 - Mounted below the material flow.
 - Blade is always narrower than the belt width.
 - Ideally, the blade covers just the belt's material path.
 - Removes the big stuff. Typically cleans off up to 80% of the initial carryback.
- **Secondary Cleaners**
 - Located just past where the belt leaves the head pulley and anywhere down the beltline.
 - Special secondaries may allow for mounting under the head pulley.
 - Blade width is always the belt width or wider.
 - Removes sticky fines – the final cleaning job.
 - Cleaning efficiencies can be 90% +.
 - May require a hold-down roller for maximum performance.
- **Specialty Cleaners**
 - Precleaners or Secondaries designed especially for specific or extreme applications.



Definition of Terms

- **Carryback** – Material that sticks to the belt after it leaves the transfer point and continues falling off along the conveyor's return side.
- **Material Path** – The section of the belt where most of the material is conveyed. Typically the center 2/3 of the belt.
- **Hold-Down Roller** – A stabilizing roller or pressure roller located on top of the return side of the belt to prevent belt flap or to provide a consistent flat surface for the blades on a lighter-tensioned belt.

Types of Cleaner Blades

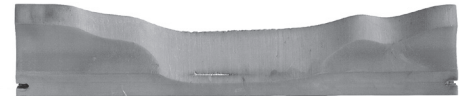


F-Tip/Blade - for mechanically fastened belts V-Tip/Blade - for vulcanized belts only C-Tip/Blade - for both

Polyurethane Blades

Not all polyurethanes are the same. Flexco's polyurethane blades are specially formulated for abrasion resistance and long wear. Independent testing has shown that Flexco's polyurethane blades last as much as 30% longer than other OEM blades.

- Easy on the belt.
- Work well with mechanical splices.
- Economical.
- Specialty formulations for high heat, chemical resistance, or water removal.

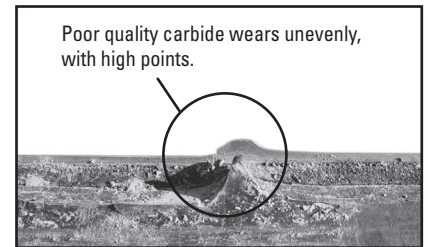


Less advanced polyurethane formulations result in blades that experience quicker wear and provide less efficient cleaning.

Tungsten Carbide

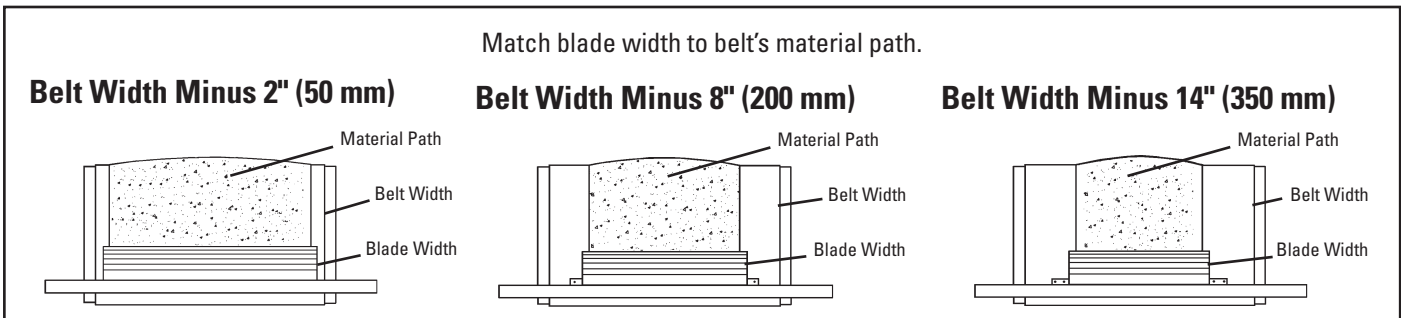
Excellent for superior cleaning efficiency and long wear. The quality and application of carbides can vary. Flexco has invested years of research and testing to develop tungsten carbide tips for both vulcanized and mechanically fastened belts. And a quality process ensures consistent results.

- Superior cleaning.
- Long wear.
- C-Tips/blades for mechanical splices and V-Tips/blades for vulcanized belts.

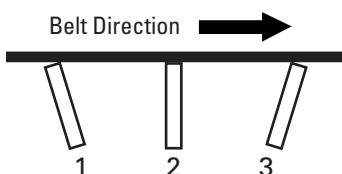


The "Material Path" Option (for Precleaners)

For optimal cleaning and reduced blade retensioning, the cleaner blade width should be sized to fit the material path of the belt. The material path is typically the center 2/3 of the belt width. Choosing a blade only slightly wider than the material path can decrease differential blade wear which reduces blade retensioning maintenance, as well as reducing the frequency of blade replacement.



Blade Angle (Secondary Cleaners)



- 1. Aggressive** – excellent cleanability, high risk for belt damage.
- 2. 90° to belt** – good cleaning efficiency; must have good blade relief for splices.
- 3. Wiping** – a little less cleaning power; safer on belts in poor condition or with poor mechanical splices.

Belt Cleaning Systems

Many applications will require more than one belt cleaner to do a satisfactory cleaning job. A typical system includes a precleaner (to knock off the initial flow of carryback), one or more secondary cleaners (to take off the sticky fines) and many times, a final specialty cleaner (to remove the water).

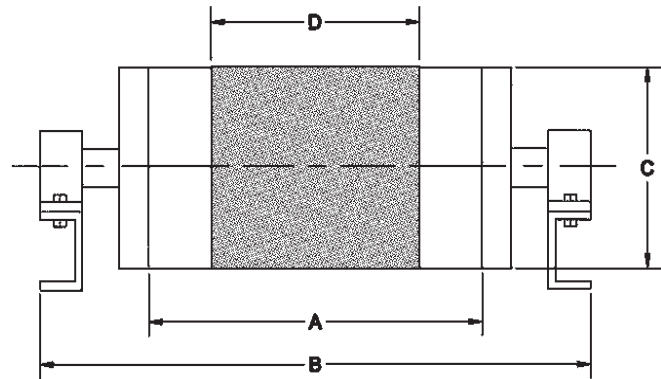
Keys to Good Belt Cleaning

- Proper cleaner selection for the application
- Correct installation
- Regular service maintenance

Spec'ing and Ordering Belt Cleaners

Information needed:

- Belt width
- Conveyor frame (structure) width
- Head pulley diameter
- For precleaners – what is the belt's material path
- Material conveyed (dry, wet, sticky, etc.)
- Type of belt splice:
 - Mechanical – skived or unskived
 - Vulcanized
- Temperature or other extreme environmental factors
- Does the belt reverse



Precleaner Selection Guide

PRECLEANER SPECIFICATION CHART







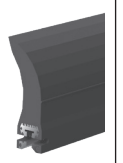
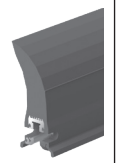
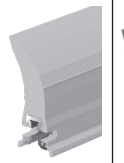

Application Description	EZP-LS	EZP1	MSP	MMP	MHP	MHCP	MXP
Belt Width*	12–60" (300–1500 mm)	12–72" (300–1800 mm)	24–84" (600–2100 mm)	24–96" (600–2400 mm)	24–96" (600–2400 mm)	24–96" (600–2400 mm)	42–120" (1050–3000 mm)
Belt Speed	500 FPM (2.5 m/s)	700 FPM (3.5 m/s)	700 FPM (3.5 m/s)	1000 FPM (5 m/s)	1500 FPM (7.5 m/s)	1200 FPM (6 m/s)	2000 FPM (10 m/s)
Head Pulley Diameter	6–22" (150–550 mm)	10–36" (250–900 mm)	16–42" (400–1050 mm)	16–48" (400–1200 mm)	20–84" (500–2100 mm)	20–84" (500–2100 mm)	48–96" (1200–2400 mm)
Reversing Belts	Yes	Yes	Yes	Yes	Yes	Yes	Yes
Mechanical Fasteners	Yes	Yes	Yes	Yes	Yes	Yes	Yes

PRECLEANER SPECIFICATION CHART (cont.)

Application Description	H-Type® (XF2- & XF-Tips)	H-Type® (V-Tips)	High Temp (V-Tips)	HV2 (V-Tips)
Belt Width*	18–72" (450–1800 mm)	18–72" (450–1800 mm)	18–48" (450–1200 mm)	18–72" (450–1800 mm)
Belt Speed	1000 FPM (5 m/s)	1500 FPM (7.5 m/s)	1000 FPM (5 m/s)	1500 FPM (7.5 m/s)
Head Pulley Diameter	10–47" (250–1175 mm)	10–67" (250–1675 mm)	8–35" (200–875 mm)	10–67" (250–1675 mm)
Reversing Belts	Yes	Yes	Yes	Yes
Mechanical Fasteners	Yes	No	No	No

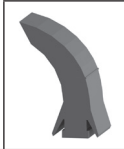

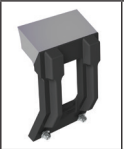
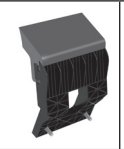


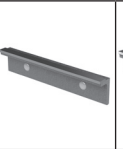

*Special sizes available upon request.

PRECLEANER BLADE SPECIFICATIONS

										
Blade Type	ConShear™ LS	ConShear™ LS High Temp	ConShear™ LS White (Chemical Resistant/Food Grade)†	ConShear™	ConShear High Temp	ConShear™ White (Chemical Resistant/Food Grade)†	ConShear Ultra High Temp	TuffShear™	TuffShear™ High Temp	Mega-Shear™
Belt Speed	500 FPM (2.5 m/s)	500 FPM (2.5 m/s)	500 FPM (2.5 m/s)	700 FPM (3.5 m/s)	700 FPM (3.5 m/s)	700 FPM (3.5 m/s)	700 FPM (3.5 m/s)	1000 FPM (5 m/s)	1000 FPM (5 m/s)	1500 FPM (7.5 m/s)
Temperature Range	-30 to 180°F (-35 to 82°C)	up to 275°F (135°C) with spikes to 325°F (163°C)	-30 to 180°F (-35 to 82°C)	-30 to 180°F (-35 to 82°C)	up to 275°F (135°C) with spikes to 325°F (163°C)	-30 to 180°F (-35 to 82°C)	up to 400°F (200°C) with spikes to 450°F (232°C)	-30 to 180°F (-35 to 82°C)	up to 275°F (135°C) with spikes to 325°F (163°C)	-30 to 180°F (-35 to 82°C)
Polyurethane	Yes	Yes	Yes	Yes	Yes	Yes	Yes	Yes	Yes	Yes
Durometer	83	93	83	83	93	83	90	83	93	83
Tungsten Carbide	No	No	No	No	No	No	No	No	No	No
Mechanical Fasteners	Yes	Yes	Yes	Yes	Yes	Yes	Yes	Yes	Yes	Yes

†All ingredients used in the polyurethane formulation of this blade comply with the relevant requirements of 21 CFR (FDA Code of Federal Regulations) for use in repeated bulk dry food applications.

PRECLEANER BLADE SPECIFICATIONS

								
Blade Type	Super-Shear™	UltraShear™	HXF	HXF2	H V-Tip	H Protected V-Tip	HV2 Tip	Protected HV2 Tip
Belt Speed	1200 FPM (6 m/s)	2000 FPM (10 m/s)	700 FPM (3.5 m/s)	700 FPM (3.5 m/s)	1000 FPM (5 m/s)	1000 FPM (5 m/s)	1500 FPM (7.5 m/s)	1500 FPM (7.5 m/s)
Temperature Range	-30 to 180°F (-35 to 82°C)	-30 to 275°F (-35 to 135°C)	-30 to 180°F (-35 to 82°C)	-30 to 180°F (-35 to 82°C)	-30 to 400°F (-35 to 205°C)	-30 to 400°F (-35 to 205°C)	-30 to 400°F (-35 to 205°C)	-30 to 400°F (-35 to 205°C)
Polyurethane	Yes	Yes	Yes	Yes	No	No	No	No
Durometer	93	93	84	83	N/A	N/A	N/A	N/A
Tungsten Carbide	No	No	No	No	Yes	Yes	Yes	Yes
Mechanical Fasteners	Yes	Yes	Yes	Yes	No	No	No	No

Secondary Cleaner Selection Guide

SECONDARY CLEANER SPECIFICATION CHART

Application Description	Y-Type SD Polyurethane	Y-Type SD Carbide	Y-Type HD Polyurethane	Y-Type HD Carbide	EZS2	EZS2 High Temp	FMS (C-Tip)	FMS (V-Tip)	MHS (C-Tip)	MHS (V-Tip)
Belt Width*	18-48" (450-1200 mm)	18-48" (450-1200 mm)	36-72" (900-1800 mm)	36-72" (900-1800 mm)	18-72" (450-1800 mm)	18-72" (450-1800 mm)	18-84" (450-2100 mm)	18-84" (450-2100 mm)	18-96" (450-2400 mm)	18-96" (450-2400 mm)
Belt Speed	600 FPM (3 m/s)	600 FPM (3 m/s)	750 FPM (3.8 m/s)	750 FPM (3.8 m/s)	700 FPM (3.5 m/s)	700 FPM (3.5 m/s)	1200 FPM (6 m/s)	1200 FPM (6 m/s)	1200 FPM (6 m/s)	1500 FPM (7.5 m/s)
Reversing Belts	Yes	Yes	Yes	Yes	No	No	No	No	Yes	Yes
Mechanical Fasteners	Yes	Yes	Yes	Yes	Yes	Yes	Yes	No	Yes	No



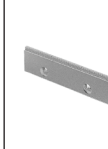




*Special sizes available upon request.

SECONDARY CLEANER SPECIFICATION CHART (cont.)

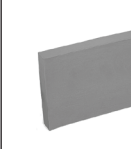
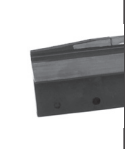
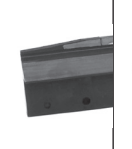
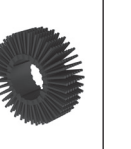
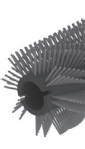
Application Description	MDWS	P-Type® (C-Tip)	P-Type (V-Tip)	U-Type® (F-Blade)	U-Type (C-Blade)	U-Type (V-Blade)	R-Type® (C-Tip)	R-Type (V-Tip)	Chevron	Brush Cleaner
Belt Width*	18-72" (450-1800 mm)	18-72" (450-1800 mm)	18-72" (450-1800 mm)	18-84" (450-2100 mm)	18-84" (450-2100 mm)	18-84" (450-2100 mm)	18-72" (450-1800 mm)	18-72" (450-1800 mm)	18-84" (450-2100 mm)	18-84" (450-2100 mm)
Belt Speed	1600 FPM (6 m/s)	1000 FPM (5 m/s)	1200 FPM (6 m/s)	1000 FPM (5 m/s)	1300 FPM (6.6 m/s)	1300 FPM (6.6 m/s)	1000 FPM (5 m/s)	1000 FPM (5 m/s)	500 FPM (2.5 m/s)	700 FPM (3.5 m/s)
Reversing Belts	Yes	No	No	No	No	No	Yes	Yes	Yes	No
Mechanical Fasteners	Yes	Yes	No	Yes	Yes	No	Yes	No	Yes	Yes

*Special sizes available upon request.

SECONDARY CLEANER BLADE SPECIFICATIONS

							
Blade Type	C-Tip	P V-Tip	R V-Tip	Y-Type Polyurethane (Purple)	Y-Type Polyurethane (White)	Y-Type Carbide	DryWipe Blade
Temperature Range	-30 to 400°F (-35 to 205°C)	-30 to 400°F (-35 to 205°C)	-30 to 400°F (-35 to 205°C)	-30 to 180°F (-35 to 82°C)	-30 to 180°F (-35 to 82°C)	-30 to 180°F (-35 to 82°C)	-30 to 180°F (-35 to 82°C)
Polyurethane	No	No	No	Yes	Yes	No	Yes
Durometer	N/A	N/A	N/A	86A	83A	N/A	59
Tungsten Carbide	Yes	Yes	Yes	No	No	Yes	No
Mechanical Fasteners	Yes	No	No	Yes	Yes	Yes	Yes

SECONDARY CLEANER BLADE SPECIFICATIONS

					
Blade Type	U F-Blade	U C-Blade	U V-Blade	Chevron	Brush Cleaner
Temperature Range	-30 to 180°F (-35 to 82°C)	-30 to 180°F (-35 to 82°C)	-30 to 180°F (-35 to 82°C)	-30 to 180°F (-35 to 82°C)	-20 to 180°F (-30 to 82°C)
Polyurethane	Yes	Rubber	Rubber	Rubber	Poly-propylene
Durometer	90	84	83	N/A	N/A
Tungsten Carbide	No	Yes	Yes	No	No
Mechanical Fasteners	Yes	Yes	No	Yes	Yes

Product Ordering Information

EZP1
Precleaner

Belt Width Minus 2" (50 mm)

BELT WIDTH		BLADE WIDTH		ORDERING NUMBER	ITEM CODE	WT. LBS.
in.	mm	in.	mm			
12	300	10	250	EZP1-212	75610	49.4
18	450	16	400	EZP1-218	75611	55.3
24	600	22	550	EZP1-224	75612	61.2
30	750	28	700	EZP1-230	75613	67.1
36	900	34	850	EZP1-236	75614	73.0
42	1050	40	1000	EZP1-242	75615	78.9
48	1200	46	1150	EZP1-248	75616	84.8
54	1350	52	1300	EZP1-254	75617	90.7
60	1500	58	1450	EZP1-260	75618	96.6
72	1800	70	1750	EZP1-272	75771	102.5

Lead time: 1 working day



Belt Width Minus 8" (200 mm)

BELT WIDTH		BLADE WIDTH		ORDERING NUMBER	ITEM CODE	WT. LBS.
in.	mm	in.	mm			
12	300	—	—	—	—	—
18	450	10	250	EZP1-818	75779	51.3
24	600	16	400	EZP1-824	75780	57.2
30	750	22	550	EZP1-830	75781	63.1
36	900	28	700	EZP1-836	75782	69.0
42	1050	34	850	EZP1-842	75783	74.9
48	1200	40	1000	EZP1-848	75784	80.8
54	1350	46	1150	EZP1-854	75785	86.7
60	1500	52	1300	EZP1-860	75786	92.6
72	1800	64	1600	EZP1-872	75774	98.5

Lead time: 1 working day

Product Notes:

- For optimal cleaning and reduced blade retensioning maintenance, the cleaner blade width should be sized to fit the material path of the belt. The material path is typically 2/3 of the belt width. In most cases a blade size of belt width minus 8" (200 mm) may be the best selection.
- Each cleaner can be retrofitted with three replacement blade sizes (belt width minus 2" (50 mm), 8" (200 mm), or 14" (350 mm)).
- Comes complete with universal mounting plates and tensioner.
- Visual tension check. No guesswork on blade tensioning. Simply measure the spring, check label on tensioner and turn adjusting nut to restore optimal tension.
- Works with mechanical splices. Polyurethane blade glides over splices.
- Compatible with reversing belts.
- For replacement parts see the EZP1 Parts List on page 19.
- For applications requiring longer pole lengths, go to the minus 8" (200 mm) chart and select the cleaner one belt width size larger. This will provide a pole 6" (150 mm) longer and a blade size of belt width minus 2" (50 mm).

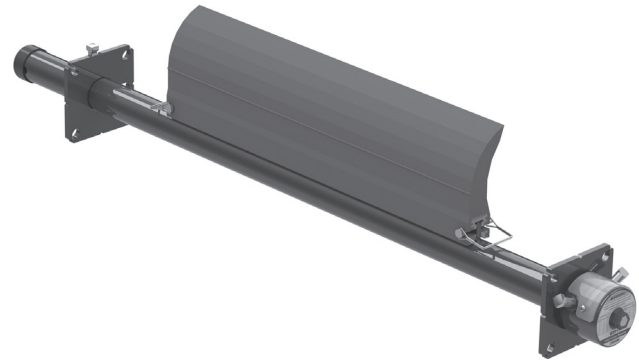
Product Ordering Information

EZP1T Precleaner with Twist Tensioner

Belt Width Minus 2" (50 mm)

BELT WIDTH		BLADE WIDTH		ORDERING NUMBER	ITEM CODE	WT. LBS.
in.	mm	in.	mm			
12	300	10	250	EZP1T-212	78488	38.5
18	450	16	400	EZP1T-218	78489	44.5
24	600	22	550	EZP1T-224	78490	50.5
30	750	28	700	EZP1T-230	78491	56.5
36	900	34	850	EZP1T-236	78492	62.5
42	1050	40	1000	EZP1T-242	78493	68.4
48	1200	46	1150	EZP1T-248	78494	74.4
54	1350	52	1300	EZP1T-254	78495	83.7
60	1500	58	1450	EZP1T-260	78496	92.0
72	1800	70	1750	EZP1T-272	78497	101.6

Lead time: 1 working day



Belt Width Minus 8" (200 mm)

BELT WIDTH		BLADE WIDTH		ORDERING NUMBER	ITEM CODE	WT. LBS.
in.	mm	in.	mm			
12	300	—	—	—	—	—
18	450	10	250	EZP1T-818	78498	41.8
24	600	16	400	EZP1T-824	78499	47.8
30	750	22	550	EZP1T-830	78500	53.8
36	900	28	700	EZP1T-836	78501	59.8
42	1050	34	850	EZP1T-842	78502	65.8
48	1200	40	1000	EZP1T-848	78503	71.7
54	1350	46	1150	EZP1T-854	78504	78.5
60	1500	52	1300	EZP1T-860	78505	87.0
72	1800	64	1600	EZP1T-872	78506	98.9

Lead time: 1 working day

Product Notes:

- For optimal cleaning and reduced blade retensioning maintenance, the cleaner blade width should be sized to fit the material path of the belt. The material path is typically 2/3 of the belt width. In most cases a blade size of belt width minus 8" (200 mm) may be the best selection.
- Each cleaner can be retrofitted with three replacement blade sizes (belt width minus 2" (50 mm), 8" (200 mm), or 14" (350 mm)).
- Comes complete with universal mounting plates and tensioner.
- Visual tension check. No guesswork on blade tensioning. Simply measure the spring, check label on tensioner and turn adjusting nut to restore optimal tension.
- Works with mechanical splices. Polyurethane blade glides over splices.
- Compatible with reversing belts.
- For replacement parts see the EZP1T Parts List on page 20.
- For applications requiring longer pole lengths, go to the minus 8" (200 mm) chart and select the cleaner one belt width size larger. This will provide a pole 6" (150 mm) longer and a blade size of belt width minus 2" (50 mm).

Product Ordering Information

EZP1 High-Temp Precleaner

Belt Width Minus 2" (50 mm) - Yellow Blade

BELT WIDTH		BLADE WIDTH		ORDERING NUMBER	ITEM CODE	WT. LBS.
in.	mm	in.	mm			
12	300	10	250	HTF212	76658	49.4
18	450	16	400	HTF218	76659	55.3
24	600	22	550	HTF224	76660	61.2
30	750	28	700	HTF230	76661	67.1
36	900	34	850	HTF236	76662	73.0
42	1050	40	1000	HTF242	76663	78.9
48	1200	46	1150	HTF248	76664	84.8
54	1350	52	1300	HTF254	76665	90.7
60	1500	58	1450	HTF260	76666	96.6
72	1800	70	1750	HTF272	76667	102.5

Pole Diameter – 2-3/8" (60 mm)

Lead time: 1 working day



Product Notes:

- The High-Temp ConShear™ Precleaner works in temperatures up to 275°F (135°C) with spikes to 325°F (164°C).
- Comes complete with universal mounting plates and tensioner.
- Visual tension check. No guesswork on blade tensioning. Simply measure the spring, check label on tensioner and turn adjusting nut to restore optimal tension.
- Works with mechanical splices. Polyurethane blade glides over splices.
- For replacement parts see the EZP1 Parts List on page 19.
- Compatible with reversing belts.

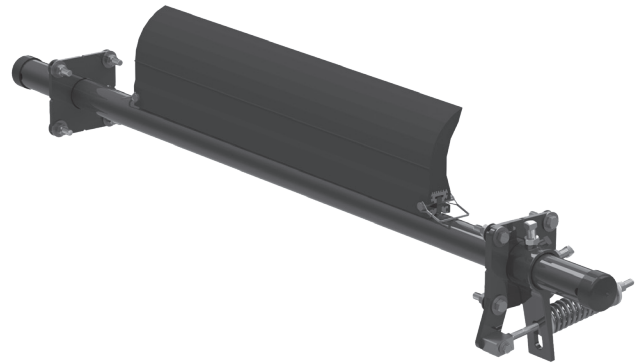
Product Ordering Information

EZP1 Ultra High-Temp Precleaner

Belt Width Minus 2" (50 mm) - Red Blade

BELT WIDTH		BLADE WIDTH		ORDERING NUMBER	ITEM CODE	WT. LBS.
in.	mm	in.	mm			
12	300	10	250	EZP1-UHT212	91226	49.4
18	450	16	400	EZP1-UHT218	91227	55.3
24	600	22	550	EZP1-UHT224	91228	61.2
30	750	28	700	EZP1-UHT230	91229	67.1
36	900	34	850	EZP1-UHT236	91230	73.0
42	1050	40	1000	EZP1-UHT242	91231	78.9
48	1200	46	1150	EZP1-UHT248	91232	84.8
54	1350	52	1300	EZP1-UHT254	91233	90.7
60	1500	58	1450	EZP1-UHT260	91234	96.6
72	1800	70	1750	EZP1-UHT272	91235	102.5

Lead time: 1 working day



Belt Width Minus 8" (200 mm) - Red Blade

BELT WIDTH		BLADE WIDTH		ORDERING NUMBER	ITEM CODE	WT. LBS.
in.	mm	in.	mm			
18	450	10	250	EZP1-UHT818	91236	51.3
24	600	16	400	EZP1-UHT824	91237	57.2
30	750	22	550	EZP1-UHT830	91238	63.1
36	900	28	700	EZP1-UHT836	91239	69.0
42	1050	34	850	EZP1-UHT842	91240	74.9
48	1200	40	1000	EZP1-UHT848	91241	80.8
54	1350	46	1150	EZP1-UHT854	91242	86.7
60	1500	52	1300	EZP1-UHT860	91243	92.6
72	1800	64	1600	EZP1-UHT872	91244	98.5

Lead time: 1 working day

Belt Width Minus 14" (350 mm) - Red Blade

BELT WIDTH		BLADE WIDTH		ORDERING NUMBER	ITEM CODE	WT. LBS.
in.	mm	in.	mm			
24	600	10	250	EZP1-UHT1424	91245	53.2
30	750	16	400	EZP1-UHT1430	91246	59.1
36	900	22	550	EZP1-UHT1436	91247	65.0
42	1050	28	700	EZP1-UHT1442	91248	70.9
48	1200	34	850	EZP1-UHT1448	91249	76.8
54	1350	40	1000	EZP1-UHT1454	91250	82.7
60	1500	46	1150	EZP1-UHT1460	91251	88.6
72	1800	58	1450	EZP1-UHT1472	91252	94.5

Lead time: 1 working day

Product Notes:

- For optimal cleaning and reduced blade retensioning maintenance, the cleaner blade width should be sized to fit the material path of the belt. The material path is typically 2/3 of the belt width. In most cases a blade size of belt width minus 8" (200 mm) may be the best selection.
- Each cleaner can be retrofitted with three replacement blade sizes (belt width minus 2" (50 mm), 8" (200 mm), or 14" (350 mm)).
- Comes complete with universal mounting plates and tensioner.
- Visual tension check. No guesswork on blade tensioning. Simply measure the spring, check label on tensioner and turn adjusting nut to restore optimal tension.
- Works with mechanical splices. Polyurethane blade glides over splices.
- Compatible with reversing belts.

Product Ordering Information

EZP1 Precleaner with White ConShear™ (Food Grade) Blade

Belt Width Minus 2" (50 mm) - White Blade

BELT WIDTH		BLADE WIDTH		ORDERING NUMBER	ITEM CODE	WT. LBS.
in.	mm	in.	mm			
12	300	10	250	EZP1-212W	78934	49.4
18	450	16	400	EZP1-218W	78935	55.3
24	600	22	550	EZP1-224W	78936	61.2
30	750	28	700	EZP1-230W	78937	67.1
36	900	34	850	EZP1-236W	78938	73.0
42	1050	40	1000	EZP1-242W	78939	78.9
48	1200	46	1150	EZP1-248W	78940	84.8
54	1350	52	1300	EZP1-254W	78941	90.7
60	1500	58	1450	EZP1-260W	78942	96.6
72	1800	70	1750	EZP1-272W	78943	99.4

Lead time: 1 working day



Product Notes:

- All ingredients used in polyurethane formulation comply with the relevant requirements of 21 CFR (FDA Code of Federal Regulations) for use in repeated bulk dry food applications.
- Comes complete with universal mounting plates and tensioner.
- Visual tension check. No guesswork on blade tensioning. Simply measure the spring, check label on tensioner and turn adjusting nut to restore optimal tension.
- Works with mechanical splices. Polyurethane blade glides over splices.
- For replacement parts see the EZP1 Parts List on page 19.
- Compatible with reversing belts.

ConShear™ Replacement Blades

EZP1
Precleaners

Standard ConShear™ Blades

BLADE WIDTH		ORDERING NUMBER	ITEM CODE	WT. LBS.
in.	mm			
10	250	CRB10	75628	4.6
16	400	CRB16	75629	7.3
22	550	CRB22	75630	10.1
28	700	CRB28	75631	12.8
34	850	CRB34	75632	15.5
40	1000	CRB40	75633	18.3
46	1150	CRB46	75634	21.0
52	1300	CRB52	75635	23.8
58	1450	CRB58	75636	26.5
64	1600	CRB64	75775	29.2
70	1750	CRB70	75773	32.0
76	1900	CRB76	76940	34.7
82	2050	CRB82	76941	37.5

Other blade sizes available upon request.

Lead time: 1 working day

High-Temp ConShear™ Blades - Yellow

BLADE WIDTH		ORDERING NUMBER	ITEM CODE	WT. LBS.
in.	mm			
10	250	CRB-HT10	76593	4.8
16	400	CRB-HT16	76594	7.6
22	550	CRB-HT22	76595	10.4
28	700	CRB-HT28	76596	13.2
34	850	CRB-HT34	76597	16.2
40	1000	CRB-HT40	76598	19.1
46	1150	CRB-HT46	76599	21.9
52	1300	CRB-HT52	76600	24.8
58	1450	CRB-HT58	76601	27.6
64	1600	CRB-HT64	76602	30.5
70	1750	CRB-HT70	76603	33.4

Lead time: 1 working day

Chemical Resistant/Food Grade ConShear™ Blades - White ‡

BLADE WIDTH		ORDERING NUMBER	ITEM CODE	WT. LBS.
in.	mm			
10	250	CRB-W10	78471	4.8
16	400	CRB-W16	78472	7.6
22	550	CRB-W22	78473	10.4
28	700	CRB-W28	78474	13.2
34	850	CRB-W34	78475	16.2
40	1000	CRB-W40	78476	19.1
46	1150	CRB-W46	78477	21.9
52	1300	CRB-W52	78478	24.8
58	1450	CRB-W58	78479	27.6

Lead time: 1 working day

‡ All ingredients used in the polyurethane formulation of this blade comply with the relevant requirements of 21 CFR (FDA Code of Federal Regulations) for use in repeated bulk dry food applications.

Ultra High-Temp ConShear™ Blades - Red

BLADE WIDTH		ORDERING NUMBER	ITEM CODE	WT. LBS.
in.	mm			
10	250	CRB-UHT10	91253	4.6
16	400	CRB-UHT16	91254	7.3
22	550	CRB-UHT22	91255	10.1
28	700	CRB-UHT28	91256	12.8
34	850	CRB-UHT34	91257	15.5
40	1000	CRB-UHT40	91258	18.3
46	1150	CRB-UHT46	91259	21.0
52	1300	CRB-UHT52	91260	23.8
58	1450	CRB-UHT58	91261	26.5
64	1600	CRB-UHT64	91262	29.2
70	1750	CRB-UHT70	91263	32.0

Lead time: 1 working day

Product Notes:

- Take blade width and ordering number from the worn blade and use the Replacement Blade Chart.
- For optimal cleaning and reduced blade retensioning maintenance, the cleaner blade width should be sized to fit the material path of the belt. The material path is typically 2/3 of the belt width. In most cases a blade size of belt width minus 8" (200 mm) may be the best selection.
- The ConShear™ blade has a faceted profile that renews the cleaning edge as it wears.
- Visual tension check. No guesswork on blade tensioning. Simply measure the spring, check label on tensioner and turn adjusting nut to restore optimal tension.
- ConShear™ blades are made of a special long-wearing polyurethane.
- A molded-in blade wear line indicates when the blade is worn out and needs to be replaced.
- Blade replacement is quick. Pull one pin, remove the old blade and slide the new one in.

Blade Width Selection

BELT WIDTH		BELT WIDTH - 2" (50mm)		BELT WIDTH - 8" (200mm)		BELT WIDTH - 14" (350mm)	
in.	mm	in.	mm	in.	mm	in.	mm
12	300	10	250	N/A	N/A	N/A	N/A
18	450	16	400	10	250	N/A	N/A
24	600	22	550	16	400	10	250
30	750	28	700	22	550	16	400
36	900	34	850	28	700	22	550
42	1050	40	1000	34	850	28	700
48	1200	46	1150	40	1000	34	850
54	1350	52	1300	46	1150	40	1000
60	1500	58	1450	52	1300	46	1150
72	1800	70	1600	64	1600	58	1450

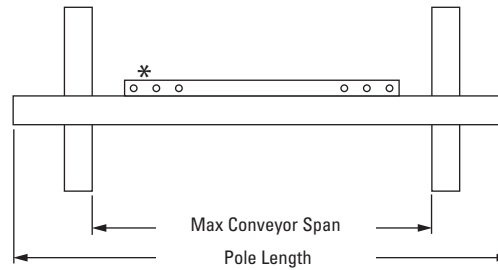
Specifications & Guidelines

EZP1 & EZP1T Precleaners

Pole Length Specifications

CLEANER SIZE		POLE LENGTH		MAXIMUM CONVEYOR SPAN	
in.	mm	in.	mm	in.	mm
12	300	42	1050	37	925
18	450	48	1200	43	1075
24	600	54	1350	49	1225
30	750	60	1500	55	1375
36	900	66	1650	61	1525
42	1050	72	1800	67	1675
48	1200	78	1950	73	1825
54	1350	88	2200	83	2075
60	1500	94	2350	89	2225
72	1800	106	2650	101	2525

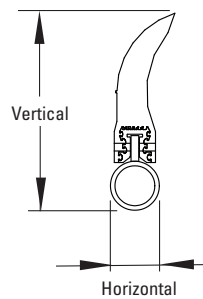
Pole Diameter – 2-3/8" (60 mm)



*Each pole size can be used with a blade size either belt width minus 2" (50 mm), 8" (200 mm), or 14" (350 mm).

Clearance Guidelines for Installation

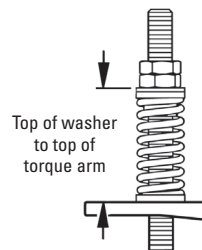
HORIZONTAL CLEARANCE REQUIRED		VERTICAL CLEARANCE REQUIRED	
in.	mm	in.	mm
4	100	9 1/2	238



EST Spring Length Chart

Blade Width		Purple Spring		Silver Spring		Black Spring	
in.	mm	in.	mm	in.	mm	in.	mm
10	250	5 3/4	146	6 1/4	159	N/A	N/A
16	400	5 1/4	133	6	152	N/A	N/A
22	550	4 3/4	121	5 7/8	149	N/A	N/A
28	700	4 1/4	108	5 5/8	143	N/A	N/A
34	850	N/A	N/A	5 3/8	137	5 5/8	143
40	1000	N/A	N/A	5 1/8	130	5 1/2	140
46	1150	N/A	N/A	5	127	5 1/4	133
52	1300	N/A	N/A	4 3/4	121	5 1/8	130
58	1450	N/A	N/A	N/A	N/A	5	127
64	1600	N/A	N/A	N/A	N/A	4 3/4	121
70	1750	N/A	N/A	N/A	N/A	4 5/8	117

Shading indicates preferred spring option



Twist Tensioner Chart

BLADE WIDTH		STANDARD	HEAVY DUTY
in.	mm		
10	250	8	6
16	400	13	9
22	550	18	12
28	700	23	16
34	850	27	19
40	1000	32	23
46	1150	37	26
52	1300	N/A	29
58	1450	N/A	33
64	1600	N/A	36
70	1750	N/A	40

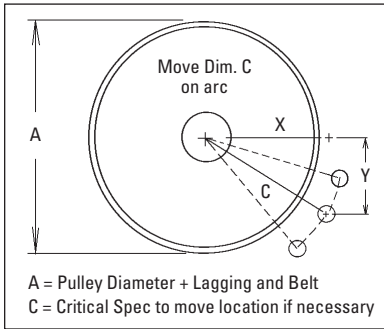
Specifications:

- Maximum Belt Speed700 FPM (3.5 m/sec)
- Temperature RatingConShear™, ConShear™ White: -30 to 180°F (-35 to 82°C)
ConShear™ High-Temp: up to 275°F (135°C), spikes to 325°F (164°C)
ConShear™ Ultra High-Temp: up to 400°F (200°C), spikes to 450°F (232°C)
- Minimum Pulley Diameter.....10" (250 mm)
- Blade Height.....7-1/4" (185 mm)
- Usable Blade Wear Length.....4" (100 mm)
- Blade MaterialPolyurethane (proprietary blend for abrasion resistance and long wear)
- Available for Belt Widths12 to 72" (300 to 1800 mm)
- CEMA Cleaner RatingClass 2

Specifications & Guidelines

EZP1 & EZP1T Precleaners

Pole Location Specs

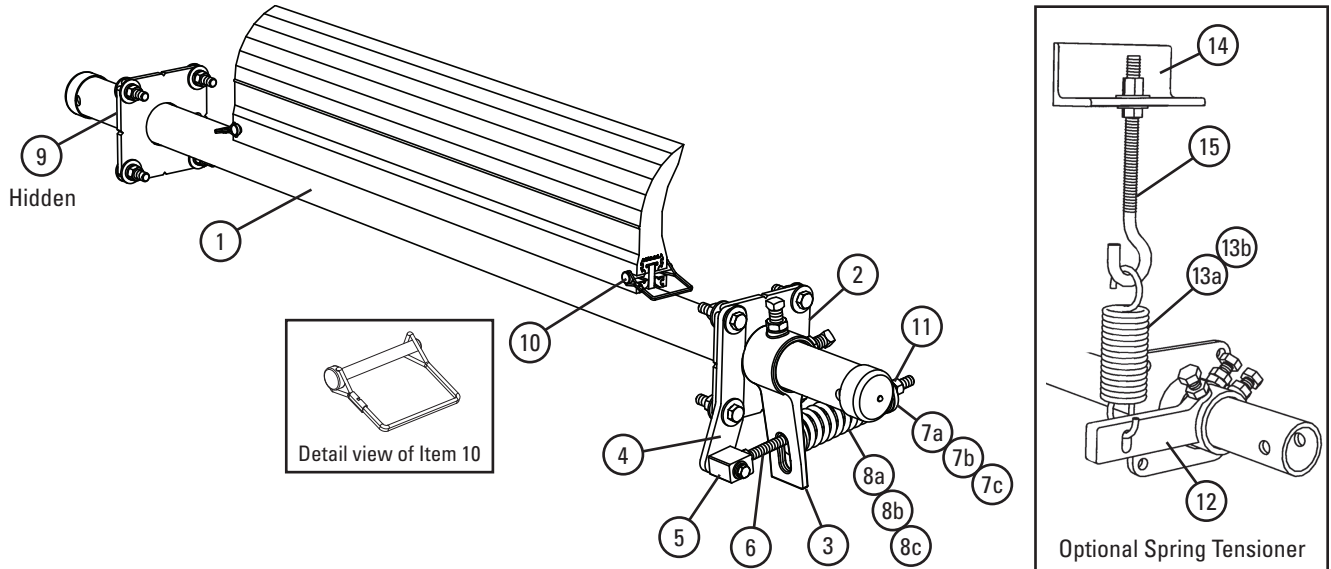


Pole Location Chart

A		X		Y		C	
in	mm	in	mm	in	mm	in	mm
10	250	3	74	9	230	9 1/2	242
11	275	3 3/4	92	9	230	9 3/4	248
12	300	4 3/8	108	9	230	10	254
13	325	5 3/8	131	9	230	10 1/2	265
14	350	5 7/8	146	9	230	10 3/4	273
15	375	6 3/8	166	9	230	11 1/4	284
16	400	7 1/8	179	9	230	11 1/2	291
17	425	7 7/8	195	9	230	12	301
18	450	8 1/4	207	9	230	12 1/4	309
19	475	9	223	9	230	12 3/4	320
20	500	9 3/8	235	9	230	13	329
21	525	10	249	9	230	13 1/2	339
22	550	10 3/4	266	9	230	14	352
23	575	11 3/8	283	9	230	14 1/2	365
24	600	12	299	9	230	15	377
25	625	12 5/8	314	9	230	15 1/2	390
26	650	13 1/4	330	9	230	16	402
27	675	13 7/8	346	9	230	16 1/2	415
28	700	14 3/8	360	9	230	17	427
29	725	15	374	9	230	17 1/2	439
30	750	15 5/8	389	9	230	18	452
31	775	16 1/8	403	9	230	18 1/2	464
32	800	16 3/4	417	9	230	19	477
33	825	17 1/4	432	9	230	19 1/2	489
34	850	17 7/8	446	9	230	20	501
35	875	18 3/8	460	9	230	20 1/2	514
36	900	19	474	9	230	21	526

Replacement Parts List

EZP1
Precleaner



Replacement Parts

REF	DESCRIPTION	ORDERING NUMBER	ITEM CODE	WT. LBS.
1	12" (300mm) Pole	EZP1P12	75619	17.4
	18" (450mm) Pole	EZP1P18	75620	20.3
	24" (600mm) Pole	EZP1P24	75621	22.7
	30" (750mm) Pole	EZP1P30	75622	26.5
	36" (900mm) Pole	EZP1P36	75623	30.4
	42" (1050mm) Pole	EZP1P42	75624	32.7
	48" (1200mm) Pole	EZP1P48	75625	35.3
	54" (1350mm) Pole	EZP1P54	75626	39.2
	60" (1500mm) Pole	EZP1P60	75627	43.3
	72" (1800mm) Pole	EZP1P72	75772	48.2
2	Mounting Plate Kit* (2 ea.)	EZP1MPK	75637	7.7
3	Torque Arm Kit* (1 ea.)	ESTAK-EST	76406	3.6
4	Pivot Shaft Bracket Kit* (1 ea.)	ESPSBK	76407	1.8
5	Pivot Block Kit*	ESPBK	76408	0.7
6	Pivot Rod Kit*	ESPRK	76409	1.2
7a	Bushing Kit – Purple/Silver (incl. (2) bushings)	ESBK-PS	76410	0.1
7b	Bushing Kit – Black (incl. (2) bushings)	ESBK-B	76411	0.1
7c	EST Bushing Kit - UHT (incl. (2) bushings)	ESBK-ATEX	90264	0.1
8a	Tension Spring – Purple	QMTS-P	75845	1.0
8b	Tension Spring – Silver	ESS-S	76412	1.2
8c	Tension Spring – Black	ESS-B	76413	1.4
9	Pole Lock* (1 ea.)	EZP1PL	75641	1.1
-	EST Tensioner–Purple* (incl. (1) ea. items 3, 4, 5, 6, 7a & 8a)	EST-P	76403	7.7
-	EST Tensioner–Silver* (incl. (1) ea. items 3, 4, 5, 6, 7a & 8b)	EST-S	76404	7.9
-	EST Tensioner–Black* (incl. (1) ea. items 3, 4, 5, 6, 7b & 8c)	EST-B	76405	8.1
-	EST Ultra High Temp Tensioner–Purple* (incl. (1) ea. items 3, 4, 5, 6, 7c & 8a)	EST-A-P	90814	7.7
-	EST Ultra High Temp Tensioner–Silver* (incl. (1) ea. items 3, 4, 5, 6, 7c & 8b)	EST-A-S	90815	7.9
-	EST Ultra High Temp Tensioner–Black* (incl. (1) ea. items 3, 4, 5, 6, 7c & 8c)	EST-A-B	90816	8.1
10	Blade Pin (1 ea.)	EZP1BP	75642	0.1
11	Jam Nut Kit, EST Tensioner	JNK-A	79891	0.3

*Hardware Included
Lead time: 1 working day

Optional Spring Tensioner & Parts

REF	DESCRIPTION	ORDERING NUMBER	ITEM CODE	WT. LBS.
12	Tension Arm Kit* (1 ea.)	HAR-K	78786	6.0
13	Tension Spring (1 ea.) (for sizes 12–30" (300–750mm))	STTS	74419	1.4
13a	HD Tension Spring (1 ea.) (for sizes 36–72" (900–1800mm))	HDT S	74502	2.0
14	Spring Tension J-Bolt Mount (1 ea.)	STJM	74775	3.0
15	J-Bolt Kit* (1 ea.)	STJK	74417	0.7
-	Optional Spring Tensioner Kit* (for sizes 12–30" (300–750mm))	EZP10TK1	76418	11.2
-	Optional Spring Tensioner Kit* (for sizes 36–72" (900–1800mm))	EZP10TK2	76419	11.8

*Hardware Included
Lead time: 1 working day

Spring Tensioner Selection Chart

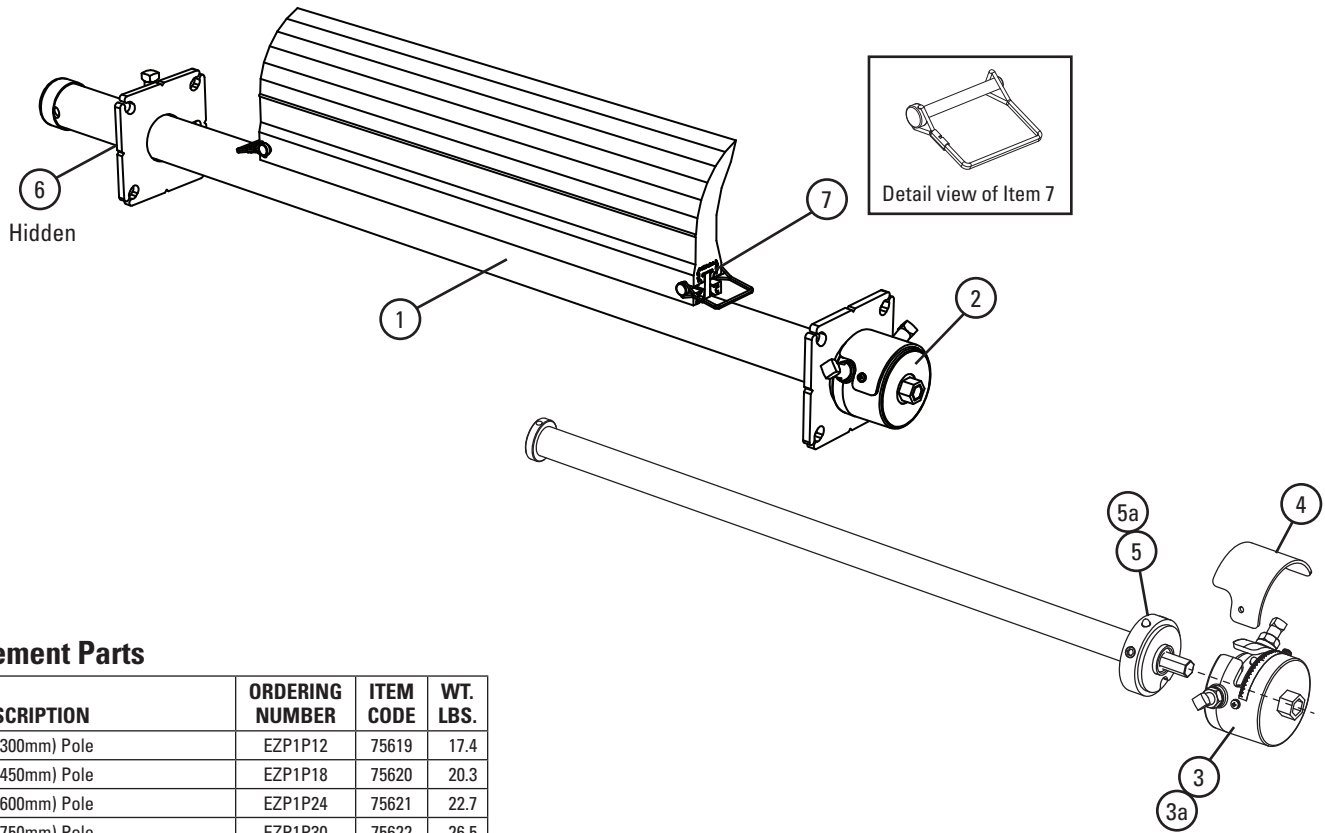
CLEANER BLADE WIDTH	76403 EST-P	76404 EST-S	76405 EST-B
ConShear™ 12–28" (300–700mm)	X		
ConShear™ 34–52" (850–1300mm)		X	
ConShear™ 58–70" (1450–1750mm)			X

Spring Tensioner Selection Chart - EST UHT

CLEANER BLADE WIDTH	90814 EST-A-P	90815 EST-A-S	90816 EST-A-B
UHT ConShear™ 10–28" (250–700mm)	X		
UHT ConShear™ 34–52" (850–1300mm)		X	
UHT ConShear™ 58–70" (1450–1750mm)			X

Replacement Parts List

EZP1T Precleaner with Twist Tensioner



Replacement Parts

REF	DESCRIPTION	ORDERING NUMBER	ITEM CODE	WT. LBS.
1	12" (300mm) Pole	EZP1P12	75619	17.4
	18" (450mm) Pole	EZP1P18	75620	20.3
	24" (600mm) Pole	EZP1P24	75621	22.7
	30" (750mm) Pole	EZP1P30	75622	26.5
	36" (900mm) Pole	EZP1P36	75623	30.4
	42" (1050mm) Pole	EZP1P42	75624	32.7
	48" (1200mm) Pole	EZP1P48	75625	35.3
	54" (1350mm) Pole	EZP1P54	75626	39.2
	60" (1500mm) Pole	EZP1P60	75627	43.3
72" (1800mm) Pole	EZP1P72	75772	48.2	
2	Torsion Mounting Plate Kit* (2 ea.)	EZPTMPK	78507	8.7
3	Torsion Cap Kit* (1 ea.) (incl. (1) ea. item 4)	EZPTCK	78508	3.2
3a	Torsion Cap Kit HD* (1 ea.) (incl. (1) ea. item 4)	EZPTCKHD	78509	3.2
4	Torsion Shield	EZPTSR	78510	0.1
5	Torsion Spring Kit	EZPTSK	78511	6.0
5a	Torsion Spring Kit HD	EZPTSKHD	78512	8.5
6	Pole Lock* (1 ea.)	EZ1PL	75641	1.1
-	Torsion Bar Tensioner (incl. (1) ea. items 3, 4, & 5)	EZPTBT	77384	17.4
-	Torsion Bar Tensioner HD (incl. (1) ea. items 3a, 4, & 5a)	EZPTBTHD	77385	20.0
7	Blade Pin (1 ea.)	EZP1BP	75642	0.1

*Hardware Included
Lead time: 1 working day

Torsion Bar Tensioner Selection Chart

CLEANER BLADE WIDTH	77384 EZPTBT	77385 EZPTBTHD
ConShear™ 12-48" (300-1200mm)	X	
ConShear™ 54-72" (1350-1800mm)		X

Product Ordering Information

EZP1 Stainless Steel Precleaner with White ConShear™ (Food Grade) Blade

Belt Width Minus 2" (50 mm) - White Blade

BELT WIDTH		BLADE WIDTH		ORDERING NUMBER	ITEM CODE	WT. LBS.
in.	mm	in.	mm			
12	300	10	250	CFG-212	78838	49.4
18	450	16	400	CFG-218	78839	55.3
24	600	22	550	CFG-224	78840	61.2
30	750	28	700	CFG-230	78841	67.1
36	900	34	850	CFG-236	78842	73.0
42	1050	40	1000	CFG-242	78843	78.9
48	1200	46	1150	CFG-248	78844	84.8
54	1350	52	1300	CFG-254	78845	90.7
60	1500	58	1450	CFG-260	78846	96.6

Lead time: 1 working day



Belt Width Minus 8" (200 mm) - White Blade

BELT WIDTH		BLADE WIDTH		ORDERING NUMBER	ITEM CODE	WT. LBS.
in.	mm	in.	mm			
12	300	—	—	—	—	—
18	450	10	250	CFG-818	78924	51.3
24	600	16	400	CFG-824	78925	57.2
30	750	22	550	CFG-830	78926	63.1
36	900	28	700	CFG-836	78927	69.0
42	1050	34	850	CFG-842	78928	74.9
48	1200	40	1000	CFG-848	78929	80.8
54	1350	46	1150	CFG-854	78930	86.7
60	1500	52	1300	CFG-860	78931	92.6

Lead time: 1 working day

Product Notes:

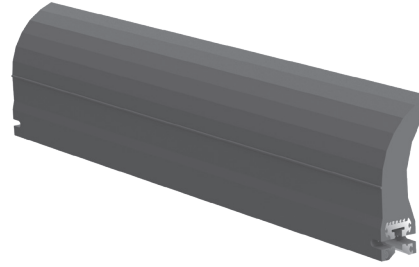
- White food-grade ConShear™ Precleaner is chemical resistant and all ingredients used in polyurethane formulation comply with the relevant requirements of 21 CFR (FDA Code of Federal Regulations) for use in repeated bulk dry food applications.
- For optimal cleaning and reduced blade retensioning maintenance, the cleaner blade width should be sized to fit the material path of the belt. The material path is typically 2/3 of the belt width. In most cases a blade size of belt width minus 8" (200 mm) may be the best selection.
- Each cleaner can be retrofitted with three replacement blade sizes (belt width minus 2" (50 mm), 8" (200 mm), or 14" (350 mm)).
- Comes complete with universal mounting plates and tensioner.
- Visual tension check. No guesswork on blade tensioning. Simply measure the spring, check label on tensioner and turn adjusting nut to restore optimal tension.
- Works with mechanical splices. Polyurethane blade glides over splices.
- Compatible with reversing belts.
- For replacement parts see the EZP1 SS Parts List on page 24.
- For applications requiring longer pole lengths, go to the minus 8" (200 mm) chart and select the cleaner one belt width size larger. This will provide a pole 6" (150 mm) longer and a blade size of belt width minus 2" (50 mm).

ConShear™ Replacement Blades

EZP1
Precleaners

Standard ConShear™ Blades

BLADE WIDTH		ORDERING NUMBER	ITEM CODE	WT. LBS.
in.	mm			
10	250	CRB10	75628	4.6
16	400	CRB16	75629	7.3
22	550	CRB22	75630	10.1
28	700	CRB28	75631	12.8
34	850	CRB34	75632	15.5
40	1000	CRB40	75633	18.3
46	1150	CRB46	75634	21.0
52	1300	CRB52	75635	23.8
58	1450	CRB58	75636	26.5
64	1600	CRB64	75775	29.2
70	1750	CRB70	75773	32.0
76	1900	CRB76	76940	34.7
82	2050	CRB82	76941	37.5



Other blade sizes available upon request.
Lead time: 1 working day

Chemical Resistant/Food Grade ConShear™ Blades - White ‡

BLADE WIDTH		ORDERING NUMBER	ITEM CODE	WT. LBS.
in.	mm			
10	250	CRB-W10	78471	4.8
16	400	CRB-W16	78472	7.6
22	550	CRB-W22	78473	10.4
28	700	CRB-W28	78474	13.2
34	850	CRB-W34	78475	16.2
40	1000	CRB-W40	78476	19.1
46	1150	CRB-W46	78477	21.9
52	1300	CRB-W52	78478	24.8
58	1450	CRB-W58	78479	27.6

Lead time: 1 working day

‡ All ingredients used in the polyurethane formulation of this blade comply with the relevant requirements of 21 CFR (FDA Code of Federal Regulations) for use in repeated bulk dry food applications.

High-Temp ConShear™ Blades - Red

BLADE WIDTH		ORDERING NUMBER	ITEM CODE	WT. LBS.
in.	mm			
10	250	CRB-HT10	76593	4.8
16	400	CRB-HT16	76594	7.6
22	550	CRB-HT22	76595	10.4
28	700	CRB-HT28	76596	13.2
34	850	CRB-HT34	76597	16.2
40	1000	CRB-HT40	76598	19.1
46	1150	CRB-HT46	76599	21.9
52	1300	CRB-HT52	76600	24.8
58	1450	CRB-HT58	76601	27.6
64	1600	CRB-HT64	76602	30.5
70	1750	CRB-HT70	76603	33.4

Lead time: 1 working day

Product Notes:

- Take blade width and ordering number from the worn blade and use the Replacement Blade Chart.
- For optimal cleaning and reduced blade retensioning maintenance, the cleaner blade width should be sized to fit the material path of the belt. The material path is typically 2/3 of the belt width. In most cases a blade size of belt width minus 8" (200 mm) may be the best selection.
- The ConShear™ blade has a faceted profile that renews the cleaning edge as it wears.
- Visual tension check. No guesswork on blade tensioning. Simply measure the spring, check label on tensioner and turn adjusting nut to restore optimal tension.
- ConShear™ blades are made of a special long-wearing polyurethane.
- A molded-in blade wear line indicates when the blade is worn out and needs to be replaced.
- Blade replacement is quick. Pull one pin, remove the old blade and slide the new one in.
- For replacement parts see the EZP1SS Parts List on page 24.

Blade Width Selection

BELT WIDTH		BELT WIDTH - 2" (50mm)		BELT WIDTH - 8" (200mm)		BELT WIDTH - 14" (350mm)	
in.	mm	in.	mm	in.	mm	in.	mm
12	300	10	250	N/A	N/A	N/A	N/A
18	450	16	400	10	250	N/A	N/A
24	600	22	550	16	400	10	250
30	750	28	700	22	550	16	400
36	900	34	850	28	700	22	550
42	1050	40	1000	34	850	28	700
48	1200	46	1150	40	1000	34	850
54	1350	52	1300	46	1150	40	1000
60	1500	58	1450	52	1300	46	1150
72	1800	70	1600	64	1600	58	1450

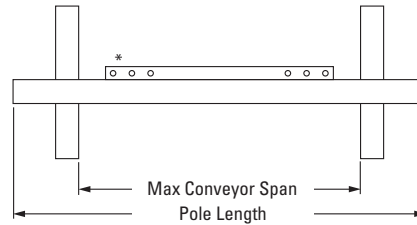
Specifications & Guidelines

EZP1 Stainless Steel Precleaner

Pole Length Specifications

CLEANER SIZE		POLE LENGTH		MAXIMUM CONVEYOR SPAN	
in.	mm	in.	mm	in.	mm
12	300	42	1050	37	925
18	450	48	1200	43	1075
24	600	54	1350	49	1225
30	750	60	1500	55	1375
36	900	66	1650	61	1525
42	1050	72	1800	67	1675
48	1200	78	1950	73	1825
54	1350	88	2200	83	2075
60	1500	94	2350	89	2225

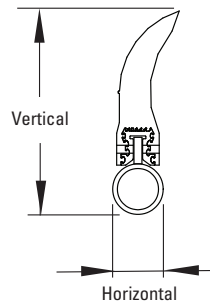
Pole Diameter – 2-3/8" (60 mm)



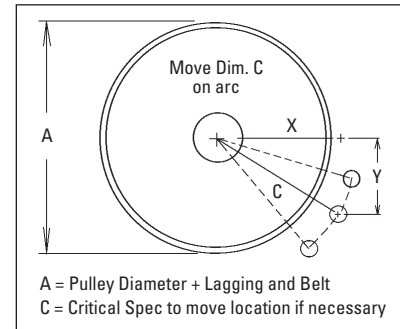
*Each pole size can be used with a blade size either belt width minus 2" (50 mm), 8" (200 mm), or 14" (350 mm).

Clearance Guidelines for Installation

HORIZONTAL CLEARANCE REQUIRED		VERTICAL CLEARANCE REQUIRED	
in.	mm	in.	mm
4	100	9 1/2	238



Pole Location Specs

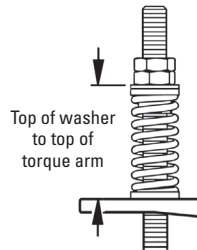


A = Pulley Diameter + Lagging and Belt
C = Critical Spec to move location if necessary

EST Spring Length Chart

Blade Width		Purple Springs		White Springs		Gold Springs	
in.	mm	in.	mm	in.	mm	in.	mm
10	250	5 5/8	143	6 3/8	162	N/A	N/A
16	400	5	127	6 1/8	156	N/A	N/A
22	550	4 3/8	111	6	152	N/A	N/A
28	700	3 7/8	98	5 7/8	149	N/A	N/A
34	850	N/A	N/A	5 5/8	143	6 1/8	156
40	1000	N/A	N/A	5 1/2	140	6	152
46	1150	N/A	N/A	5 1/4	133	5 7/8	149
52	1300	N/A	N/A	5 1/8	130	5 7/8	149
58	1450	N/A	N/A	5	127	5 3/4	146
64	1600	N/A	N/A	4 3/4	121	5 5/8	143

Shading indicates preferred spring option



Pole Location Chart

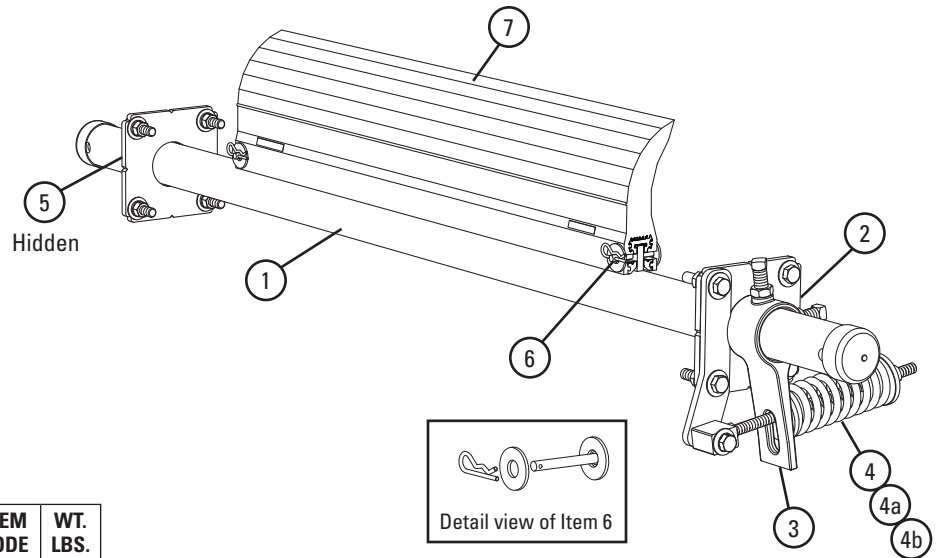
A		X		Y		C	
in	mm	in	mm	in	mm	in	mm
10	250	3	74	9	230	9 1/2	242
11	275	3 3/4	92	9	230	9 3/4	248
12	300	4 3/8	108	9	230	10	254
13	325	5 3/8	131	9	230	10 1/2	265
14	350	5 7/8	146	9	230	10 3/4	273
15	375	6 3/8	166	9	230	11 1/4	284
16	400	7 1/8	179	9	230	11 1/2	291
17	425	7 7/8	195	9	230	12	301
18	450	8 1/4	207	9	230	12 1/4	309
19	475	9	223	9	230	12 3/4	320
20	500	9 3/8	235	9	230	13	329
21	525	10	249	9	230	13 1/2	339
22	550	10 3/4	266	9	230	14	352
23	575	11 3/8	283	9	230	14 1/2	365
24	600	12	299	9	230	15	377
25	625	12 5/8	314	9	230	15 1/2	390
26	650	13 1/4	330	9	230	16	402
27	675	13 7/8	346	9	230	16 1/2	415
28	700	14 3/8	360	9	230	17	427
29	725	15	374	9	230	17 1/2	439
30	775	15 5/8	389	9	230	18	452
31	775	16 1/8	403	9	230	18 1/2	464
32	825	16 3/4	417	9	230	19	477
33	825	17 1/4	432	9	230	19 1/2	489
34	850	17 7/8	446	9	230	20	501
35	875	18 3/8	460	9	230	20 1/2	514
36	900	19	474	9	230	21	526

Specifications:

- Maximum Belt Speed 700 FPM (3.5 m/s)
- Temperature Rating -30 to 180°F (-35 to 82°C)
- Minimum Pulley Diameter..... 10" (250 mm)
- Blade Height..... 7-1/4" (185 mm)
- Usable Blade Wear Length..... 4" (100 mm)
- Blade Material Polyurethane (chemical resistant/food grade)
- Available for Belt Widths 12 to 60" (300 to 1500 mm)
- CEMA Cleaner Rating Class 2

Replacement Parts List

EZP1 Stainless Steel Precleaner



Replacement Parts

REF	DESCRIPTION	ORDERING NUMBER	ITEM CODE	WT. LBS.
1	12" (300mm) SS Pole	EZP1P12-S/S	78812	17.4
	18" (450mm) SS Pole	EZP1P18-S/S	78813	20.3
	24" (600mm) SS Pole	EZP1P24-S/S	78814	22.7
	30" (750mm) SS Pole	EZP1P30-S/S	78815	26.5
	36" (900mm) SS Pole	EZP1P36-S/S	78816	30.4
	42" (1050mm) SS Pole	EZP1P42-S/S	78817	32.7
	48" (1200mm) SS Pole	EZP1P48-S/S	78818	35.3
	54" (1350mm) SS Pole	EZP1P54-S/S	78819	39.2
	60" (1500mm) SS Pole	EZP1P60-S/S	78820	43.3
72" (1800mm) SS Pole	EZP1P72-S/S	78821	48.2	
2	SS Mounting Plate Kit* (2 ea.)	EZP1MPK-S/S	78923	7.7
3	SS Torque Arm Kit* (1 ea.)	ESTAK-EST-S/S	78849	3.6
4	SS Tension Spring – Purple	QMTS-P-S/S	77450	1.0
4a	SS Tension Spring – White	QMTS-W-S/S	77451	1.2
4b	SS Tension Spring – Gold	QMTS-G-S/S	77452	1.4
5	SS Pole Lock* (1 ea.)	EZP1PL-S/S	78848	1.1
–	SS EST Tensioner – Purple* (incl. (1) ea. items 2, 3, 4)	EST-P-S/S	78808	7.7
–	SS EST Tensioner – White* (incl. (1) ea. items 2, 3, 4a)	EST-W-S/S	78809	7.9
–	SS EST Tensioner – Gold* (incl. (1) ea. items 2, 3, 4b)	EST-G-S/S	78810	8.1
6	Blade Pin (1 ea.)	MSPBPK-S/S	77583	0.1

*Hardware Included
Lead time: 1 working day

Spring Tensioner Selection Chart

CLEANER BLADE WIDTH	78808 EST-P-S/S	78809 EST-W-S/S	78810 EST-G-S/S
ConShear™ 12–28" (300–700mm)	X		
ConShear™ 34–52" (850–1300mm)		X	
ConShear™ 58–70" (1450–1750mm)			X

Product Ordering Information

EZP-LS Limited Space Precleaner

Belt Width Minus 2" (50 mm)

BELT WIDTH		BLADE WIDTH		ORDERING NUMBER	ITEM CODE	WT. LBS.
in.	mm	in.	mm			
12	300	10	250	EZP-LS212	77127	24.8
18	450	16	400	EZP-LS218	77128	28.2
24	600	22	550	EZP-LS224	77129	31.7
30	750	28	700	EZP-LS230	77130	35.1
36	900	34	850	EZP-LS236	77131	38.6
42	1050	40	1000	EZP-LS242	77132	42.0
48	1200	46	1150	EZP-LS248	77133	45.5
54	1350	52	1300	EZP-LS254	77134	48.9
60	1500	58	1450	EZP-LS260	77135	52.5

Lead time: 1 working day



Belt Width Minus 8" (200 mm)

BELT WIDTH		BLADE WIDTH		ORDERING NUMBER	ITEM CODE	WT. LBS.
in.	mm	in.	mm			
18	450	10	250	EZP-LS818	77136	27.0
24	600	16	400	EZP-LS824	77137	30.4
30	750	22	550	EZP-LS830	77138	33.9
36	900	28	700	EZP-LS836	77139	37.3
42	1050	34	850	EZP-LS842	77140	40.8
48	1200	40	1000	EZP-LS848	77141	44.2
54	1350	46	1150	EZP-LS854	77142	47.7
60	1500	52	1300	EZP-LS860	77143	51.2

Lead time: 1 working day

Product Notes:

- For optimal cleaning and reduced blade retensioning maintenance, the cleaner blade width should be sized to fit the material path of the belt. The material path is typically 2/3 of the belt width.
- Each cleaner can be retrofitted with three replacement blade sizes (belt width minus 2" (50 mm), 8" (200 mm), or 14" (350 mm).
- Comes complete with universal mounting plates and tensioner.
- Visual tension check. No guesswork on blade tensioning. Simply measure the spring, check label on tensioner and turn adjusting nut to restore optimal tension.
- Visual blade wear check. Tensioner has built-in gauge to monitor blade wear.
- Works with mechanical splices. Polyurethane blade glides over splices.
- Compatible with reversing belts.
- For replacement parts see the EZP-LS Parts List on 29.
- For applications requiring longer pole lengths, go to the minus 8" (200 mm) chart and select the cleaner one belt width size larger. This will provide a pole 6" (150 mm) longer and a blade size of belt width minus 2" (50 mm).

Product Ordering Information

EZP-LS High-Temp Limited Space Precleaner

Belt Width Minus 2" (50 mm) - Yellow Blade

BELT WIDTH		BLADE WIDTH		ORDERING NUMBER	ITEM CODE	WT. LBS.
in.	mm	in.	mm			
12	300	10	250	EZP-LS212HT	77746	24.8
18	450	16	400	EZP-LS218HT	77747	28.2
24	600	22	550	EZP-LS224HT	77748	31.7
30	750	28	700	EZP-LS230HT	77749	35.1
36	900	34	850	EZP-LS236HT	77750	38.6
42	1050	40	1000	EZP-LS242HT	77751	42.0
48	1200	46	1150	EZP-LS248HT	77752	45.5
54	1350	52	1300	EZP-LS254HT	77753	48.9
60	1500	58	1450	EZP-LS260HT	77754	52.5

Lead time: 1 working day



Product Notes:

- The High-Temp ConShear™ LS works in temperatures up to 275°F (135°C) with spikes to 325°F (164°C).
- Each cleaner can be retrofitted with three replacement blade sizes (belt width minus 2" (50 mm), 8" (200 mm), or 14" (350 mm).
- Comes complete with universal mounting plates and tensioner.
- Visual tension check. No guesswork on blade tensioning. Simply measure the spring, check label on tensioner and turn adjusting nut to restore optimal tension.
- Visual blade wear check. Tensioner has built-in gauge to monitor blade wear.
- Works with mechanical splices. Polyurethane blade glides over splices.
- Compatible with reversing belts.
- For replacement parts see the EZP-LS Parts List on page 29.

ConShear™ LS Replacement Blades

EZP-LS
Limited Space Precleaner

Standard LS ConShear™ Blades

BLADE WIDTH		ORDERING NUMBER	ITEM CODE	WT. LBS.
in.	mm			
10	250	CRB-LS10	77088	2.1
16	400	CRB-LS16	77089	3.3
22	550	CRB-LS22	77090	4.6
28	700	CRB-LS28	77091	5.8
34	850	CRB-LS34	77092	7.1
40	1000	CRB-LS40	77093	8.3
46	1150	CRB-LS46	77094	9.6
52	1300	CRB-LS52	77095	10.8
58	1450	CRB-LS58	77096	12.1

Other blade sizes available upon request.
Lead time: 1 working day



Chemical Resistant/Food Grade LS ConShear™ Blades - White ‡

BLADE WIDTH		ORDERING NUMBER	ITEM CODE	WT. LBS.
in.	mm			
10	250	CRB-LS10W	77097	2.1
16	400	CRB-LS16W	77098	3.3
22	550	CRB-LS22W	77099	4.6
28	700	CRB-LS28W	77100	5.8
34	850	CRB-LS34W	77101	7.1
40	1000	CRB-LS40W	77102	8.3
46	1150	CRB-LS46W	77103	9.6
52	1300	CRB-LS52W	77104	10.8
58	1450	CRB-LS58W	77105	12.1

Other blade sizes available upon request.
Lead time: 1 working day

‡ All ingredients used in the polyurethane formulation of this blade comply with the relevant requirements of 21 CFR (FDA Code of Federal Regulations) for use in repeated bulk dry food applications.

High-Temp LS ConShear™ Blades - Yellow

BLADE WIDTH		ORDERING NUMBER	ITEM CODE	WT. LBS.
in.	mm			
10	250	CRB-LS10HT	77551	2.1
16	400	CRB-LS16HT	77552	3.3
22	550	CRB-LS22HT	77553	4.6
28	700	CRB-LS28HT	77554	5.8
34	850	CRB-LS34HT	77555	7.1
40	1000	CRB-LS40HT	77556	8.3
46	1150	CRB-LS46HT	77557	9.6
52	1300	CRB-LS52HT	77558	10.8
58	1450	CRB-LS58HT	77559	12.1

Other blade sizes available upon request.
Lead time: 1 working day

Product Notes:

- Take blade width and ordering number from the worn blade and use the Replacement Blade Chart.
- For optimal cleaning and reduced blade retensioning maintenance, the cleaner blade width should be sized to fit the material path of the belt. The material path is typically 2/3 of the belt width.
- The ConShear™ blade has a faceted profile that renews the cleaning edge as it wears.
- Visual tension check. No guesswork on blade tensioning. Simply measure the spring, check label on tensioner and turn adjusting nut to restore optimal tension.
- ConShear blades are made of a special long-wearing polyurethane.
- A molded-in blade wear line indicates when the blade is worn out and needs to be replaced.
- Blade replacement is quick. Pull one pin, remove the old blade and slide the new one in.

Blade Width Selection

BELT WIDTH		BELT WIDTH - 2" (50mm)		BELT WIDTH - 8" (200mm)		BELT WIDTH - 14" (350mm)	
in.	mm	in.	mm	in.	mm	in.	mm
12	300	10	250	N/A	N/A	N/A	N/A
18	450	16	400	10	250	N/A	N/A
24	600	22	550	16	400	10	250
30	750	28	700	22	550	16	400
36	900	34	850	28	700	22	550
42	1050	40	1000	34	850	28	700
48	1200	46	1150	40	1000	34	850
54	1350	52	1300	46	1150	40	1000
60	1500	58	1450	52	1300	46	1150

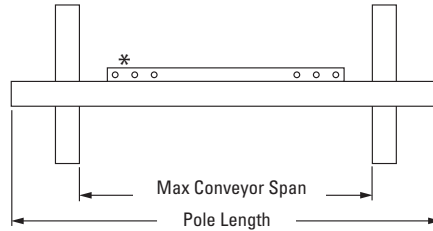
Specifications & Guidelines

EZP-LS Limited Space Precleaner

Pole Length Specifications

CLEANER SIZE		POLE LENGTH		MAXIMUM CONVEYOR SPAN	
in.	mm	in.	mm	in.	mm
12	300	42	1050	37	925
18	450	48	1200	43	1075
24	600	54	1350	49	1225
30	750	60	1500	55	1375
36	900	66	1650	61	1525
42	1050	72	1800	67	1675
48	1200	78	1950	73	1825
54	1350	88	2200	83	2075
60	1500	94	2350	89	2225

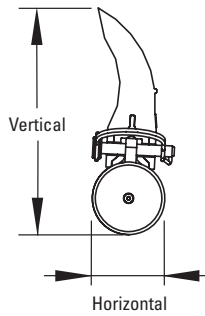
Pole Diameter – 1-7/8" (48 mm)



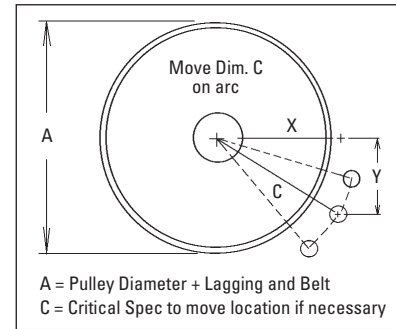
*Each pole size can be used with a blade size either belt width minus 2" (50 mm), 8" (200 mm), or 14" (350 mm).

Clearance Guidelines for Installation

HORIZONTAL CLEARANCE REQUIRED		VERTICAL CLEARANCE REQUIRED	
in.	mm	in.	mm
3	75	6 1/2	165



Pole Location Specs

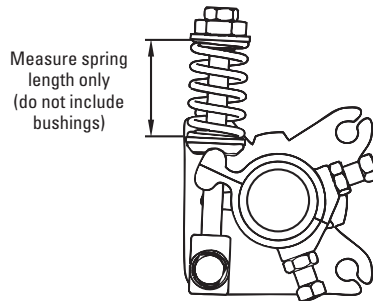


Spring Length Chart

EZP-LS w/Purple or Yellow Blade

Blade Width		Purple Springs		White Springs		Silver Springs	
in.	mm	in.	mm	in.	mm	in.	mm
10	250	2	51	N/A	N/A	N/A	N/A
16	400	1 5/8	48	2 1/8	54	N/A	N/A
22	550	N/A	N/A	2	51	N/A	N/A
28	700	N/A	N/A	1 7/8	48	N/A	N/A
34	850	N/A	N/A	1 3/4	44	N/A	N/A
40	1000	N/A	N/A	1 1/2	38	N/A	N/A
46	1150	N/A	N/A	1 3/8	35	2	51
52	1300	N/A	N/A	N/A	N/A	2	51
58	1450	N/A	N/A	N/A	N/A	1 7/8	48

Shading indicates preferred spring option



Pole Location Chart

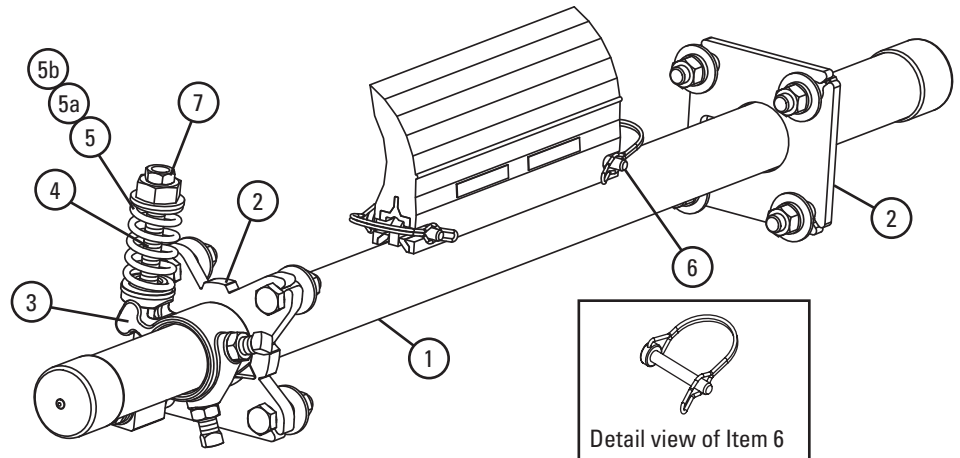
A		X		Y		C	
in.	mm	in.	mm	in.	mm	in.	mm
6	150	2 5/8	65	5 1/2	140	6 1/8	150
7	175	3 1/4	81	5 1/2	140	6 3/8	155
8	200	3 7/8	96	5 1/2	140	6 3/4	162
9	225	4 3/8	109	5 1/2	140	7	171
10	250	5	125	5 1/2	140	7 3/8	179
11	275	5 1/2	138	5 1/2	140	7 3/4	189
12	300	6 1/8	153	5 1/2	140	8 1/4	198
13	325	6 5/8	166	5 1/2	140	8 5/8	209
14	350	7 1/8	178	5 1/2	140	9	219
15	375	7 5/8	191	5 1/2	140	9 3/8	229
16	400	8 1/4	206	5 1/2	140	9 7/8	239
17	425	8 3/4	219	5 1/2	140	10 3/8	252
18	450	9 1/4	231	5 1/2	140	10 3/4	263
19	475	9 3/4	244	5 1/2	140	11 1/4	273
20	500	10 1/4	256	5 1/2	140	11 5/8	284
21	525	10 3/4	269	5 1/2	140	12 1/8	295
22	550	11 1/4	281	5 1/2	140	12 1/2	307

Specifications:

- Maximum Belt Speed500 FPM (2.5 m/s)
- Temperature RatingConShear™, ConShear™ White: -30 to 180°F (-35 to 82°C)
ConShear™ High-Temp: up to 275°F (135°C), spikes to 325°F (164°C)
- Minimum Pulley Diameter.....6" (150 mm)
- Blade Height.....4.5" (115 mm)
- Usable Blade Wear Length.....2-3/8" (60 mm)
- Blade MaterialPolyurethane (proprietary blend for abrasion resistance and long wear)
- Available for Belt Widths12 to 60" (300 to 1500 mm)
- CEMA Cleaner RatingClass 2

Replacement Parts List

EZP-LS Limited Space Precleaner



Replacement Parts

REF	DESCRIPTION	ORDERING NUMBER	ITEM CODE	WT. LBS.
1	12" (300mm) Pole	LSP12	77070	13.3
	18" (450mm) Pole	LSP18	77071	15.5
	24" (600mm) Pole	LSP24	77072	17.7
	30" (750mm) Pole	LSP30	77073	19.9
	36" (900mm) Pole	LSP36	77074	22.1
	42" (1050mm) Pole	LSP42	77075	24.3
	48" (1200mm) Pole	LSP48	77076	26.5
	54" (1350mm) Pole	LSP54	77077	28.7
	60" (1500mm) Pole	LSP60	77078	31.0
2	Mounting Plate Kit* (incl. (1) ea. tensioner mounting plate & pole mounting plate)	LSTMPK	77366	3.6
3	Torque Arm Kit* (1 ea.)	LST-TAK	77120	1.4
4	Pivot Block/Rod Kit* (1 ea.)	LSTPB-RK	77367	0.8
5	Tension Spring – Purple (1 ea.)	LS-SPK	77365	0.2
5a	Tension Spring – White (1 ea.)	LS-SW	77117	0.3
5b	Tension Spring – Silver (1 ea.)	LS-SS	77118	0.3
6	LS Blade Pin (1 ea.)	LS-BP	77114	0.1
7	Jam Nut Kit LST Tensioner	JNK-B	79892	0.3
-	LST Spring Tensioner* – Purple (incl. (1) tensioner mounting plate & (1) ea. items 3, 4 & 5)	LST-P	77121	7.5
-	LST Spring Tensioner* – White (incl. (1) tensioner mounting plate & (1) ea. items 3, 4 & 5a)	LST-W	77122	7.6
-	LST Spring Tensioner* – Silver (incl. (1) tensioner mounting plate & (1) ea. items 3, 4 & 5b)	LST-S	77123	7.6

*Hardware Included

Arch/Gordon Mini-Saber Blades

BELT WIDTH		BLADE WIDTH		ORDERING NUMBER	ITEM CODE	ARCH/GORDON PART NUMBER	WT. LBS.
in.	mm	in.	mm				
18	450	16	400	RBAGM-16	77106	MRBMN00018	3.3
24	600	22	550	RBAGM-22	77107	MRBMN00024	4.6
30	750	28	700	RBAGM-28	77108	MRBMN00030	5.8
36	900	34	850	RBAGM-34	77109	MRBMN00036	7.1
42	1050	40	1000	RBAGM-40	77110	MRBMN00042	8.3
48	1200	46	1150	RBAGM-46	77111	MRBMN00048	9.6

Additional sizes are available upon request. Contact for pricing.

Spring Tensioner Selection Chart

CLEANER BLADE WIDTH	77121 LST-P	77122 LST-W	77123 LST-S
ConShear™-LS 10–16" (250–400mm)	X		
ConShear™-LS 22–46" (550–1150mm)		X	
ConShear™-LS 52–58" (1300–1450mm)			X

For best results use Flexco Genuine Replacement Blades and Parts.

Product Ordering Information

EZP-LS Stainless Steel Limited Space Precleaner with White ConShear™ (Food Grade) Blade

Belt Width Minus 2" (50 mm) - LS White Blade

BELT WIDTH		BLADE WIDTH		ORDERING NUMBER	ITEM CODE	WT. LBS.
in.	mm	in.	mm			
12	300	10	250	CLSFG-212	77144	24.8
18	450	16	400	CLSFG-218	77145	28.2
24	600	22	550	CLSFG-224	77146	31.7
30	750	28	700	CLSFG-230	77147	35.1
36	900	34	850	CLSFG-236	77148	38.6
42	1050	40	1000	CLSFG-242	77149	42.0
48	1200	46	1150	CLSFG-248	77150	45.5
54	1350	52	1300	CLSFG-254	77151	48.9
60	1500	58	1450	CLSFG-260	77152	52.5

Lead time: 1 working day



Belt Width Minus 8" (200 mm) - LS White Blade

BELT WIDTH		BLADE WIDTH		ORDERING NUMBER	ITEM CODE	WT. LBS.
in.	mm	in.	mm			
18	450	10	250	CLSFG-818	77153	27.0
24	600	16	400	CLSFG-824	77154	30.4
30	750	22	550	CLSFG-830	77155	33.9
36	900	28	700	CLSFG-836	77156	37.3
42	1050	34	850	CLSFG-842	77157	40.8
48	1200	40	1000	CLSFG-848	77158	44.2
54	1350	46	1150	CLSFG-854	77159	47.7
60	1500	52	1300	CLSFG-860	77160	51.2

Lead time: 1 working day

Product Notes:

- White food-grade ConShear Precleaner is chemical resistant and all ingredients used in polyurethane formulation comply with the relevant requirements of 21 CFR (FDA Code of Federal Regulations) for use in repeated bulk dry food applications.
- For optimal cleaning and reduced blade retensioning maintenance, the cleaner blade width should be sized to fit the material path of the belt. The material path is typically 2/3 of the belt width.
- Each cleaner can be retrofitted with three replacement blade sizes (belt width minus 2" (50 mm), 8" (200 mm), or 14" (350 mm)).
- Comes complete with universal mounting plates and tensioner(s).
- Visual tension check. No guesswork on blade tensioning. Simply measure the spring, check label on tensioner and turn adjusting nut to restore optimal tension.
- Visual blade wear check. Tensioner has built-in gauge to monitor blade wear.
- Works with mechanical splices. Polyurethane blade glides over splices.
- Compatible with reversing belts.
- For replacement parts see the EZP-LS SS Parts List on page 33.
- For applications requiring longer pole lengths, go to the minus 8" (200 mm) chart and select the cleaner one belt width size larger. This will provide a pole 6" (150 mm) longer and a blade size of belt width minus 2" (50 mm).

ConShear™ LS Replacement Blades

EZP-LS
Limited Space Precleaner

Standard LS ConShear™ Blades

BLADE WIDTH		ORDERING NUMBER	ITEM CODE	WT. LBS.
in.	mm			
10	250	CRB-LS10	77088	2.1
16	400	CRB-LS16	77089	3.3
22	550	CRB-LS22	77090	4.6
28	700	CRB-LS28	77091	5.8
34	850	CRB-LS34	77092	7.1
40	1000	CRB-LS40	77093	8.3
46	1150	CRB-LS46	77094	9.6
52	1300	CRB-LS52	77095	10.8
58	1450	CRB-LS58	77096	12.1

Other blade sizes available upon request.
Lead time: 1 working day



Chemical Resistant/Food Grade LS ConShear™ Blades - White ‡

BLADE WIDTH		ORDERING NUMBER	ITEM CODE	WT. LBS.
in.	mm			
10	250	CRB-LS10W	77097	2.1
16	400	CRB-LS16W	77098	3.3
22	550	CRB-LS22W	77099	4.6
28	700	CRB-LS28W	77100	5.8
34	850	CRB-LS34W	77101	7.1
40	1000	CRB-LS40W	77102	8.3
46	1150	CRB-LS46W	77103	9.6
52	1300	CRB-LS52W	77104	10.8
58	1450	CRB-LS58W	77105	12.1

Other blade sizes available upon request.
Lead time: 1 working day

‡ All ingredients used in the polyurethane formulation of this blade comply with the relevant requirements of 21 CFR (FDA Code of Federal Regulations) for use in repeated bulk dry food applications

LS High-Temp ConShear™ Blades - Yellow

BLADE WIDTH		ORDERING NUMBER	ITEM CODE	WT. LBS.
in.	mm			
10	250	CRB-LS10HT	77551	2.1
16	400	CRB-LS16HT	77552	3.3
22	550	CRB-LS22HT	77553	4.6
28	700	CRB-LS28HT	77554	5.8
34	850	CRB-LS34HT	77555	7.1
40	1000	CRB-LS40HT	77556	8.3
46	1150	CRB-LS46HT	77557	9.6
52	1300	CRB-LS52HT	77558	10.8
58	1450	CRB-LS58HT	77559	12.1

Other blade sizes available upon request.
Lead time: 1 working day

Product Notes:

- Take blade width and ordering number from the worn blade and use the Replacement Blade Chart.
- For optimal cleaning and reduced blade retensioning maintenance, the cleaner blade width should be sized to fit the material path of the belt. The material path is typically 2/3 of the belt width.
- The ConShear™ blade has a faceted profile that renews the cleaning edge as it wears.
- Visual tension check. No guesswork on blade tensioning. Simply measure the spring, check label on tensioner and turn adjusting nut to restore optimal tension.
- ConShear™ blades are made of a special long-wearing polyurethane.
- A molded-in blade wear line indicates when the blade is worn out and needs to be replaced.
- Blade replacement is quick. Pull one pin, remove the old blade and slide the new one in.

Blade Width Selection

BELT WIDTH		BELT WIDTH - 2" (50mm)		BELT WIDTH - 8" (200mm)		BELT WIDTH - 14" (350mm)	
in.	mm	in.	mm	in.	mm	in.	mm
12	300	10	250	N/A	N/A	N/A	N/A
18	450	16	400	10	250	N/A	N/A
24	600	22	550	16	400	10	250
30	750	28	700	22	550	16	400
36	900	34	850	28	700	22	550
42	1050	40	1000	34	850	28	700
48	1200	46	1150	40	1000	34	850
54	1350	52	1300	46	1150	40	1000
60	1500	58	1450	52	1300	46	1150

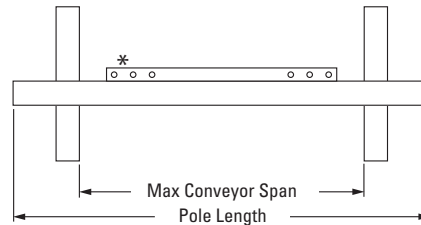
Specifications & Guidelines

EZP-LS Stainless Steel Limited Space Precleaner

Pole Length Specifications

CLEANER SIZE		POLE LENGTH		MAXIMUM CONVEYOR SPAN	
in.	mm	in.	mm	in.	mm
12	300	42	1050	37	925
18	450	48	1200	43	1075
24	600	54	1350	49	1225
30	750	60	1500	55	1375
36	900	66	1650	61	1525
42	1050	72	1800	67	1675
48	1200	78	1950	73	1825
54	1350	88	2200	83	2075
60	1500	94	2350	89	2225

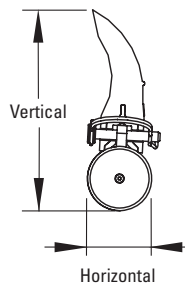
Pole Diameter - 1-7/8" (48 mm)



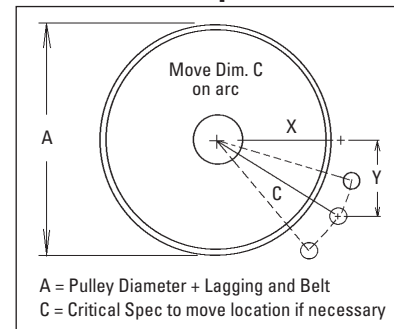
*Each pole size can be used with a blade size either belt width minus 2" (50 mm), 8" (200 mm), or 14" (350 mm).

Clearance Guidelines for Installation

HORIZONTAL CLEARANCE REQUIRED		VERTICAL CLEARANCE REQUIRED	
in.	mm	in.	mm
3	75	6 1/2	165



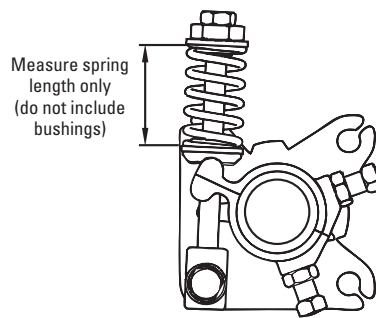
Pole Location Specs



LST Spring Length Chart

Blade Width		Black Springs		White Springs		Dual White Springs	
in.	mm	in.	mm	in.	mm	in.	mm
10	250	3 1/2	89	3 3/4	95	3 7/8	98
16	400	3 1/4	83	3 5/8	92	3 7/8	98
22	550	2 7/8	73	3 1/2	89	3 3/4	95
28	700	2 5/8	67	3 3/8	86	3 3/4	95
34	850	N/A	N/A	3 1/4	83	3 5/8	92
40	1000	N/A	N/A	3 1/8	79	3 5/8	92
46	1150	N/A	N/A	3	76	3 1/2	89
52	1300	N/A	N/A	N/A	N/A	3 1/2	89
58	1450	N/A	N/A	N/A	N/A	3 3/8	86

Shading indicates preferred spring option



Pole Location Chart

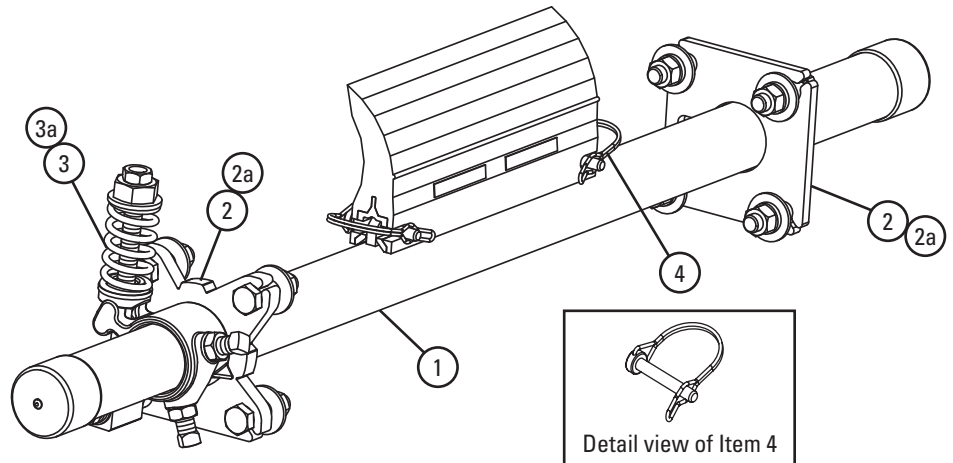
A		X		Y		C	
in.	mm	in.	mm	in.	mm	in.	mm
6	150	2 5/8	65	5 1/2	140	6 1/8	150
7	175	3 1/4	81	5 1/2	140	6 3/8	155
8	200	3 7/8	96	5 1/2	140	6 3/4	162
9	225	4 3/8	109	5 1/2	140	7	171
10	250	5	125	5 1/2	140	7 3/8	179
11	275	5 1/2	138	5 1/2	140	7 3/4	189
12	300	6 1/8	153	5 1/2	140	8 1/4	198
13	325	6 5/8	166	5 1/2	140	8 5/8	209
14	350	7 1/8	178	5 1/2	140	9	219
15	375	7 5/8	191	5 1/2	140	9 3/8	229
16	400	8 1/4	206	5 1/2	140	9 7/8	239
17	425	8 3/4	219	5 1/2	140	10 3/8	252
18	450	9 1/4	231	5 1/2	140	10 3/4	263
19	475	9 3/4	244	5 1/2	140	11 1/4	273
20	500	10 1/4	256	5 1/2	140	11 5/8	284
21	525	10 3/4	269	5 1/2	140	12 1/8	295
22	550	11 1/4	281	5 1/2	140	12 1/2	307

Specifications:

- Maximum Belt Speed500 FPM (2.5 m/s)
- Temperature RatingConShear™, ConShear™ White: -30 to 180°F (-35 to 82°C)
ConShear™ High-Temp: up to 275°F (135°C), spikes to 325°F (164°C)
- Minimum Pulley Diameter.....6" (150 mm)
- Blade Height.....4.5" (115 mm)
- Usable Blade Wear Length.....2-3/8" (60 mm)
- Blade MaterialPolyurethane (chemical resistant/food grade)
- Available for Belt Widths12 to 60" (300 to 1500 mm)
- CEMA Cleaner RatingClass 2

Replacement Parts List

EZP-LS Stainless Steel Limited Space Precleaner



Replacement Parts

REF	DESCRIPTION	ORDERING NUMBER	ITEM CODE	WT. LBS.
1	12" (300mm) SS Pole	LSP12-S/S	77079	13.3
	18" (450mm) SS Pole	LSP18-S/S	77080	15.5
	24" (600mm) SS Pole	LSP24-S/S	77081	17.7
	30" (750mm) SS Pole	LSP30-S/S	77082	19.9
	36" (900mm) SS Pole	LSP36-S/S	77083	22.1
	42" (1050mm) SS Pole	LSP42-S/S	77084	24.3
	48" (1200mm) SS Pole	LSP48-S/S	77085	26.5
	54" (1350mm) SS Pole	LSP54-S/S	77086	28.7
	60" (1500mm) SS Pole	LSP60-S/S	77087	31.0
2	SS Mounting Plate Kit (10-46"/250-1150mm)* (incl. (1) ea. tensioner mounting plate & pole mounting plate)	LSTMPK-S/S	78933	3.6
2a	SS Mounting Plate Kit (52"+/1300mm+)* (incl. (2) tensioner mounting plate)	LSTMPK2-S/S	78462	7.2
3	Tension Spring – Black (1 ea.)	CTS-B-S/S	78387	.2
3a	Tension Spring – White (1 ea.)	LS-SW-S/S	78850	.3
4	SS LS Blade Pin (1 ea.)	LS-BP-S/S	77115	.1
-	SS LST Spring Tensioner* – Black (incl. (1) ea. items 2 & 3)	LST-B-S/S	77124	7.5
-	SS LST Spring Tensioner* – White (incl. (1) ea. items 2 & 3a)	LST-W-S/S	77125	7.6
-	SS LST Spring Tensioner* – White (dual) (incl. (1) ea. item 2a & (2) ea. item 3a)	LST-W-S/S-2	77126	15.2

*Hardware Included

Lead Time: 1 working day

Spring Tensioner Selection Chart

CLEANER BLADE WIDTH	77124 LST-B-S/S	77125 LST-W-S/S	77126 LST-W-S/S-2
FG-LS 10-28" (250-700mm)	X		
FG-LS 34-46" (850-1150mm)		X	
FG-LS 52-70" (1300-1750mm)			X

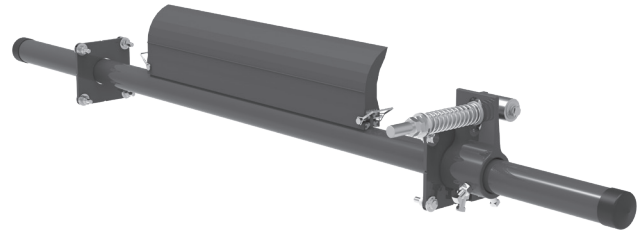
Product Ordering Information

MSP Standard Mine-Duty Precleaner

Belt Width Minus 2" (50 mm)

BELT WIDTH		BLADE WIDTH		ORDERING NUMBER	ITEM CODE	WT. LBS.
in.	mm	in.	mm			
24	600	22	550	MSP-224	75787	83.4
30	750	28	700	MSP-230	75788	89.6
36	900	34	850	MSP-236	75789	98.2
42	1050	40	1000	MSP-242	75790	106.0
48	1200	46	1150	MSP-248	75791	113.2
54	1350	52	1300	MSP-254	75792	120.0
60	1500	58	1450	MSP-260	75793	125.7
72	1800	70	1750	MSP-272	75794	140.2
84	2100	82	2050	MSP-284	76796	164.2

Lead time: 1 working day



Belt Width Minus 8" (200 mm)

BELT WIDTH		BLADE WIDTH		ORDERING NUMBER	ITEM CODE	WT. LBS.
in.	mm	in.	mm			
24	600	16	400	MSP-824	75795	80.6
30	750	22	550	MSP-830	75796	86.9
36	900	28	700	MSP-836	75797	95.5
42	1050	34	850	MSP-842	75798	103.2
48	1200	40	1000	MSP-848	75799	110.5
54	1350	46	1150	MSP-854	75800	117.2
60	1500	52	1300	MSP-860	75801	123.0
72	1800	64	1600	MSP-872	75802	134.7
84	2100	76	1900	MSP-884	76797	160.0

Lead time: 1 working day

Optional Mounting Kits

DESCRIPTION	ORDERING NUMBER	ITEM CODE	WT. LBS.
Optional Mounting Bar Kit *	MMBK	75830	19.5
Mounting Plate Kit * (2 plates)	MMPK	76537	140.0

*Hardware Included

Lead time: 1 working day

Product Notes:

- Recommended for standard-duty conveyor applications. For tougher belt applications see the MMP Medium-Duty Precleaner (41). For extreme, abusive applications see the MHP Heavy-Duty Precleaner (49) or the MHCP Heavy-Duty Cartridge Precleaner (56).
- Material Path Option: Fit the blade width to the belt's material path. The material path is typically the center 2/3 of the belt width. In most cases a blade size of belt width minus 8" (200mm) may be the best solution.
- Each cleaner pole is retrofittable for three blade sizes (belt width minus 2" (50 mm), 8" (200 mm), or 14" (350 mm)).
- Pole Length: Belt width plus 54" (1350 mm). For conveyors requiring longer pole lengths, go to the minus 8" (200 mm) chart and select the cleaner one belt width size larger. This will provide a pole 6" (150 mm) longer and a blade size of belt width minus 2" (50 mm). For longer requirements see Installation Accessories – Pole Extender Kit on page 138.
- Visual Tension Check: No guesswork on blade tensioning. Measure the spring and adjust to specified length per blade width to restore optimal tensioning.
- To make cleaner installation easier and quicker, see Optional Mounting Kits on page 138.
- For replacement parts see MSP Parts List on page 39.

Product Ordering Information

MSP Ultra High-Temp Standard Mine-Duty Precleaner

Belt Width Minus 2" (50 mm) - Red Blade

BELT WIDTH		BLADE WIDTH		ORDERING NUMBER	ITEM CODE	WT. LBS.
in.	mm	in.	mm			
24	600	22	550	MSP-UHT224	91264	83.4
30	750	28	700	MSP-UHT230	91265	89.6
36	900	34	850	MSP-UHT236	91266	98.2
42	1050	40	1000	MSP-UHT242	91267	106.0
48	1200	46	1150	MSP-UHT248	91268	113.2
54	1350	52	1300	MSP-UHT254	91269	120.0
60	1500	58	1450	MSP-UHT260	91270	125.7
72	1800	70	1750	MSP-UHT272	91271	140.2

Lead time: 1 working day



Belt Width Minus 8" (200 mm) - Red Blade

BELT WIDTH		BLADE WIDTH		ORDERING NUMBER	ITEM CODE	WT. LBS.
in.	mm	in.	mm			
24	600	16	400	MSP-UHT824	91272	80.6
30	750	22	550	MSP-UHT830	91273	86.9
36	900	28	700	MSP-UHT836	91274	95.5
42	1050	34	850	MSP-UHT842	91275	103.2
48	1200	40	1000	MSP-UHT848	91276	110.5
54	1350	46	1150	MSP-UHT854	91277	117.2
60	1500	52	1300	MSP-UHT860	91278	123.0
72	1800	64	1600	MSP-UHT872	91279	134.7

Lead time: 1 working day

Belt Width Minus 14" (350 mm) - Red Blade

BELT WIDTH		BLADE WIDTH		ORDERING NUMBER	ITEM CODE	WT. LBS.
in.	mm	in.	mm			
42	1050	28	700	MSP-UHT1442	91280	100.4
48	1200	34	850	MSP-UHT1448	91281	107.8
54	1350	40	1000	MSP-UHT1454	91282	114.4
60	1500	46	1150	MSP-UHT1460	91283	120.3
72	1800	58	1450	MSP-UHT1472	91284	129.2

Lead time: 1 working day

Product Notes:

- Material Path Option: Fit the blade width to the belt's material path. The material path is typically the center 2/3 of the belt width. In most cases a blade size of belt width minus 8" (200 mm) may be the best solution.
- Each cleaner pole is retrofittable for three blade sizes (belt width minus 2" (50 mm), 8" (200 mm), or 14" (350 mm)).
- Pole Length: Belt width plus 54" (1350 mm). For conveyors requiring longer pole lengths, go to the minus 8" (200 mm) chart and select the cleaner one belt width size larger. This will provide a pole 6" (150 mm) longer and a blade size of belt width minus 2" (50 mm).
- Visual Tension Check: No guesswork on blade tensioning. Measure the spring and adjust to specified length per blade width to restore optimal tensioning.
- For replacement parts see MSP Parts List on page 39.

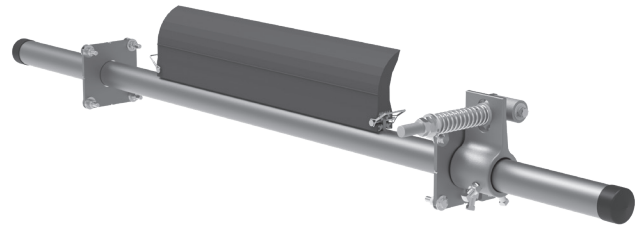
Product Ordering Information

MSP Stainless Steel Standard Mine-Duty Precleaner

Belt Width Minus 2" (50 mm)

BELT WIDTH		BLADE WIDTH		ORDERING NUMBER	ITEM CODE	WT. LBS.
in.	mm	in.	mm			
24	600	22	550	MSP-224-S/S	77453	83.4
30	750	28	700	MSP-230-S/S	77454	89.6
36	900	34	850	MSP-236-S/S	77455	98.2
42	1050	40	1000	MSP-242-S/S	77456	106.0
48	1200	46	1150	MSP-248-S/S	77457	113.2
54	1350	52	1300	MSP-254-S/S	77458	120.0
60	1500	58	1450	MSP-260-S/S	77459	125.7
72	1800	70	1750	MSP-272-S/S	77460	140.2
84	2100	82	2050	MSP-284-S/S	77461	164.2

Lead time: 3 weeks



Belt Width Minus 8" (200 mm)

BELT WIDTH		BLADE WIDTH		ORDERING NUMBER	ITEM CODE	WT. LBS.
in.	mm	in.	mm			
24	600	16	400	MSP-824-S/S	77462	80.6
30	750	22	550	MSP-830-S/S	77463	86.9
36	900	28	700	MSP-836-S/S	77464	95.5
42	1050	34	850	MSP-842-S/S	77465	103.2
48	1200	40	1000	MSP-848-S/S	77466	110.5
54	1350	46	1150	MSP-854-S/S	77467	117.2
60	1500	52	1300	MSP-860-S/S	77468	123.0
72	1800	64	1600	MSP-872-S/S	77470	134.7
84	2100	76	1900	MSP-884-S/S	77471	160.0

Lead time: 3 weeks

Product Notes:

- Recommended for standard-duty conveyor applications, but in corrosive environments.
- Material Path Option: Fit the blade width to the belt's material path. The material path is typically the center 2/3 of the belt width. In most cases a blade size of belt width minus 8" (200 mm) may be the best solution.
- Each cleaner pole is retrofittable for three blade sizes (belt width minus 2" (50 mm), 8" (200 mm), or 14" (350 mm)).
- Pole Length: Belt width plus 54" (1350 mm). For conveyors requiring longer pole lengths, go to the minus 8" (200 mm) chart and select the cleaner one belt width size larger. This will provide a pole 6" (150 mm) longer and a blade size of belt width minus 2" (50 mm). For longer requirements see Installation Accessories – Pole Extender Kit on page 137.
- Visual Tension Check: No guesswork on blade tensioning. Measure the spring and adjust to specified length per blade width to restore optimal tensioning.
- To make cleaner installation easier and quicker, see Optional Mounting Kits on page 137.
- For replacement parts see MSP Stainless Parts List on page 40.

ConShear™ Replacement Blades

MSP
Standard Mine-Duty Precleaner

Standard ConShear™ Blades

BLADE WIDTH		ORDERING NUMBER	ITEM CODE	WT. LBS.
in.	mm			
10	250	CRB10	75628	4.6
16	400	CRB16	75629	7.3
22	550	CRB22	75630	10.1
28	700	CRB28	75631	12.8
34	850	CRB34	75632	15.5
40	1000	CRB40	75633	18.3
46	1150	CRB46	75634	21.0
52	1300	CRB52	75635	23.8
58	1450	CRB58	75636	26.5
64	1600	CRB64	75775	29.2
70	1750	CRB70	75773	32.0
76	1900	CRB76	76940	34.7
82	2050	CRB82	76941	37.5

Other blade sizes available upon request.
Lead time: 1 working day

High-Temp ConShear™ Blades - Yellow

BLADE WIDTH		ORDERING NUMBER	ITEM CODE	WT. LBS.
in.	mm			
10	250	CRB-HT10	76593	4.8
16	400	CRB-HT16	76594	7.6
22	550	CRB-HT22	76595	10.4
28	700	CRB-HT28	76596	13.2
34	850	CRB-HT34	76597	16.2
40	1000	CRB-HT40	76598	19.1
46	1150	CRB-HT46	76599	21.9
52	1300	CRB-HT52	76600	24.8
58	1450	CRB-HT58	76601	27.6
64	1600	CRB-HT64	76602	30.5
70	1750	CRB-HT70	76603	33.4

Lead time: 1 working day

Chemical Resistant/Food Grade ConShear™ Blades - White ‡

BLADE WIDTH		ORDERING NUMBER	ITEM CODE	WT. LBS.
in.	mm			
10	250	CRB-W10	78471	4.8
16	400	CRB-W16	78472	7.6
22	550	CRB-W22	78473	10.4
28	700	CRB-W28	78474	13.2
34	850	CRB-W34	78475	16.2
40	1000	CRB-W40	78476	19.1
46	1150	CRB-W46	78477	21.9
52	1300	CRB-W52	78478	24.8
58	1450	CRB-W58	78479	27.6

Lead time: 1 working day

‡ All ingredients used in the polyurethane formulation of this blade comply with the relevant requirements of 21 CFR (FDA Code of Federal Regulations) for use in repeated bulk dry food applications.

Ultra High-Temp ConShear™ Blades - Red

BLADE WIDTH		ORDERING NUMBER	ITEM CODE	WT. LBS.
in.	mm			
10	250	CRB-UHT10	91253	4.6
16	400	CRB-UHT16	91254	7.3
22	550	CRB-UHT22	91255	10.1
28	700	CRB-UHT28	91256	12.8
34	850	CRB-UHT34	91257	15.5
40	1000	CRB-UHT40	91258	18.3
46	1150	CRB-UHT46	91259	21.0
52	1300	CRB-UHT52	91260	23.8
58	1450	CRB-UHT58	91261	26.5
64	1600	CRB-UHT64	91262	29.2
70	1750	CRB-UHT70	91263	32.0

Lead time: 1 working day

Blade Width Selection

BELT WIDTH		BELT WIDTH - 2" (50mm)		BELT WIDTH - 8" (200mm)		BELT WIDTH - 14" (350mm)	
in.	mm	in.	mm	in.	mm	in.	mm
24	600	22	550	16	400	10	250
30	750	28	700	22	550	16	400
36	900	34	850	28	700	22	550
42	1050	40	1000	34	850	28	700
48	1200	46	1150	40	1000	34	850
54	1350	52	1300	46	1150	40	1000
60	1500	58	1450	52	1300	46	1150
72	1800	70	1750	64	1600	58	1450
84	2100	82	2050	76	1900	70	1750

Product Notes:

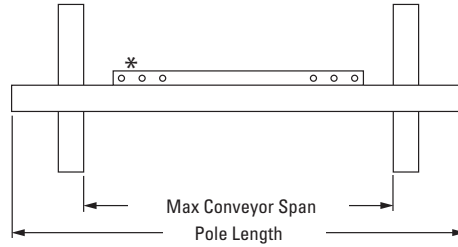
- A molded-in wear line indicates when the blade is worn out and needs to be replaced.
- Faceted blade profile: Renews its cleaning edge as the blade wears.
- ConShear™ blades are made of a special long-wearing polyurethane.
- Quick blade replacement: Pull one pin, remove the old blade and slide the new one in.

Specifications & Guidelines

Pole Length Specifications*

CLEANER SIZE		POLE LENGTH		MAXIMUM CONVEYOR SPAN	
in.	mm	in.	mm	in.	mm
24	600	78	1950	68	1700
30	750	84	2100	74	1850
36	900	90	2250	80	2000
42	1050	96	2400	86	2150
48	1200	102	2550	92	2300
54	1350	108	2700	98	2450
60	1500	114	2850	104	2600
72	1800	126	3150	116	2900
84	2100	138	3450	128	3200

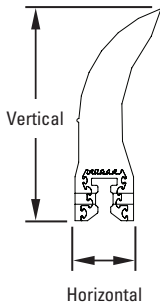
* For special extra long pole length requirements a Pole Extender Kit (#76024) is available that provides 30" (750 mm) of extended pole length. See 138. Pole Diameter – 2-7/8" (73 mm)



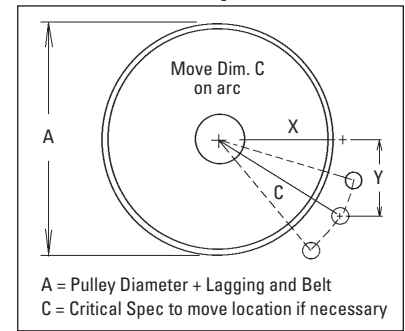
*Each pole size can be used with a blade size either belt width minus 2" (50 mm), 8" (200 mm), or 14" (350 mm).

Clearance Guidelines for Installation

HORIZONTAL CLEARANCE REQUIRED		VERTICAL CLEARANCE REQUIRED	
in.	mm	in.	mm
4	100	10	250



Pole Location Specs

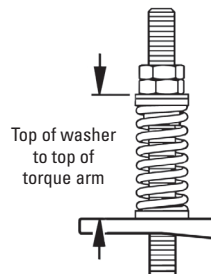


A = Pulley Diameter + Lagging and Belt
C = Critical Spec to move location if necessary

Spring Length Chart

Blade Width		Purple Springs		White Springs		Gold Springs	
in.	mm	in.	mm	in.	mm	in.	mm
16	400	5 1/4	133	6 1/4	159	N/A	N/A
22	550	4 3/4	121	6 1/8	156	N/A	N/A
28	700	4 1/8	105	5 7/8	149	N/A	N/A
34	850	N/A	N/A	5 3/4	146	6 1/8	156
40	1000	N/A	N/A	5 5/8	143	6 1/8	156
46	1150	N/A	N/A	5 1/2	140	6	152
52	1300	N/A	N/A	5 3/8	137	5 7/8	149
58	1450	N/A	N/A	5 1/8	130	5 7/8	149
64	1600	N/A	N/A	5	127	5 3/4	146
70	1750	N/A	N/A	4 7/8	124	5 5/8	143
76	1900	N/A	N/A	N/A	N/A	5 5/8	143
82	2050	N/A	N/A	N/A	N/A	5 1/2	140
88	2200	N/A	N/A	N/A	N/A	5 1/4	133
94	2350	N/A	N/A	N/A	N/A	5 1/8	130
100	2500	N/A	N/A	N/A	N/A	5 1/8	130
106	2650	N/A	N/A	N/A	N/A	5	127

Shading indicates preferred spring option



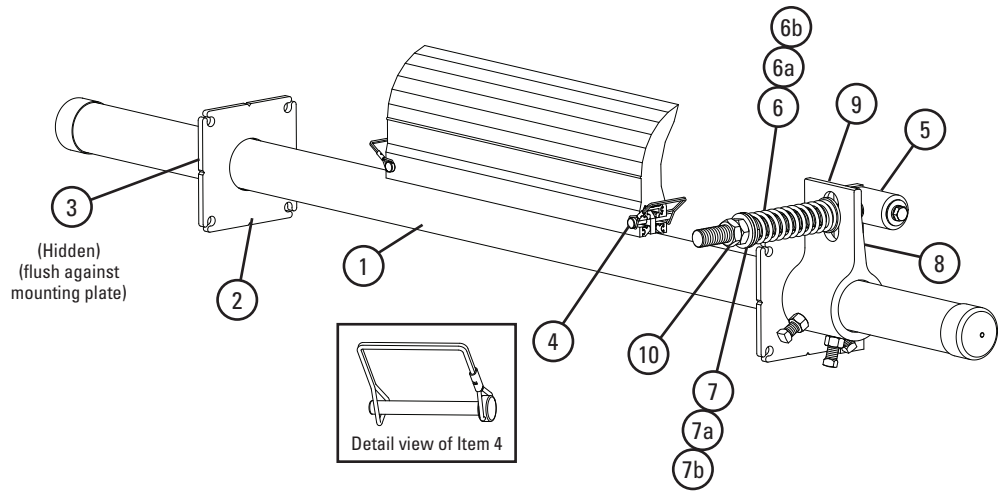
Pole Location Chart

A		X		Y		C	
in.	mm	in.	mm	in.	mm	in.	mm
16	450	7 1/8	204	9	230	11 1/2	308
17	475	7 7/8	222	9	230	12	320
18	500	8 1/4	232	9	230	12 1/4	326
19	525	9	248	9	230	12 3/4	338
20	550	9 3/8	266	9	230	13	352
21	575	10	282	9	230	13 1/2	364
22	600	10 3/4	298	9	230	14	376
23	625	11 3/8	312	9	230	14 1/2	388
24	650	12	330	9	230	15	402
25	675	12 5/8	344	9	230	15 1/2	414
26	700	13 1/4	358	9	230	16	426
27	725	13 7/8	372	9	230	16 1/2	438
28	750	14 3/8	390	9	230	17	452
29	775	15	402	9	230	17 1/2	464
30	800	15 5/8	416	9	230	18	476
31	825	16 1/8	430	9	230	18 1/2	488
32	850	16 3/4	446	9	230	19	502
33	875	17 1/4	460	9	230	19 1/2	514
34	900	17 7/8	474	9	230	20	526
35	925	18 3/8	486	9	230	20 1/2	538
36	950	19	502	9	230	21	552
37	975	19 1/2	514	9	230	21 1/2	564
38	1000	20	528	9	230	22	576
39	1025	20 5/8	542	9	230	22 1/2	588
40	1050	21 1/8	556	9	230	23	602
41	1075	21 3/4	572	9	230	23 1/2	616
42	1100	22 1/4	588	9	230	24	630

Specifications:

- Maximum Belt Speed700 FPM (3.5 m/s)
- Temperature RatingConShear™, ConShear™ White: -30 to 180°F (-35 to 82°C)
ConShear™ High-Temp: up to 275°F (135°C), spikes to 325°F (164°C)
ConShear™ Ultra High-Temp: up to 400°F (200°C), spikes to 450°F (232°C)
- Minimum Pulley Diameter.....16" (400 mm)
- Blade Height.....7-1/4" (185 mm)
- Usable Blade Wear Length.....4" (100 mm)
- Blade MaterialPolyurethane (proprietary blend for abrasion resistance and long wear)
- Available for Belt Widths24 to 84" (600 to 2100 mm)
- CEMA Cleaner RatingClass 3

Replacement Parts List



Replacement Parts

REF	DESCRIPTION	ORDERING NUMBER	ITEM CODE	WT. LBS.
1	24" (600mm) Pole	MSPP24	75803	42.5
	30" (750mm) Pole	MSPP30	75804	46.0
	36" (900mm) Pole	MSPP36	75805	50.5
	42" (1050mm) Pole	MSPP42	75806	55.5
	48" (1200mm) Pole	MSPP48	75807	60.0
	54" (1350mm) Pole	MSPP54	75808	64.0
	60" (1500mm) Pole	MSPP60	75809	67.0
	72" (1800mm) Pole	MSPP72	75810	76.0
	84" (2100mm) Pole	MSPP84	76807	88.6
2	Mounting Plate Kit* (2 ea.)	MSPMPK	75811	8.3
3	Pole Lock* (1 ea.)	MSPPL	75816	1.9
4	Blade Pin Kit* (1 ea.)	MSPBP	107852	0.1
5	Pivot Arm Kit* (1 ea.)	QMTPAK	76096	4.3
6a	Tension Spring – Purple (1 ea.)	QMTS-P	75845	0.6
6b	Tension Spring – White (1 ea.)	PSTS-W	75898	1.7
6c	Tension Spring – Gold (1 ea.)	QMTS-G	76484	2.5
7a	Bushing Kit – Purple (2 ea.)	QMTBK-P	76097	0.1
7b	Bushing Kit – White (2 ea.)	QMTBK-W	76098	0.2
7c	Bushing Kit – Gold (2 ea.)	QMTBK-G	76540	0.3
7d	QMT Bushing Kit – Ultra High-Temp (2 ea.)	QMT-ATEX	90435	0.2
8	Pivot Shaft Bracket Kit* (1 ea.)	QMTPSBK	76099	4.3
9	Torsion Arm Kit* (1 ea.)	PSTA	75896	11.4
10	Jam Nut Kit QMT Tensioner	JNK-C	79893	0.3
-	QMT Spring Tensioner* – Purple (incl. (1) ea. items 5, 6a, 7a, 8, & 9)	QMT-P	76074	20.4
-	QMT Spring Tensioner* – White (incl. (1) ea. items 5, 6b, 7b, 8, & 9)	QMT-W	76075	21.8
-	QMT Spring Tensioner* – Gold (incl. (1) ea. items 5, 6c, 7c, 8, & 9)	QMT-G	76483	23.2
-	QMT Ultra High-Temp Tensioner* – Purple (incl. (1) ea. items 5, 6a, 7, 8, & 9)	QMT-A-P	91285	20.4
-	QMT Ultra High-Temp Tensioner* – White (incl. (1) ea. items 5, 6b, 7, 8, & 9)	QMT-A-W	91286	21.8

*Hardware Included

Lead Time: 1 working day

Spring Tensioner Selection Chart

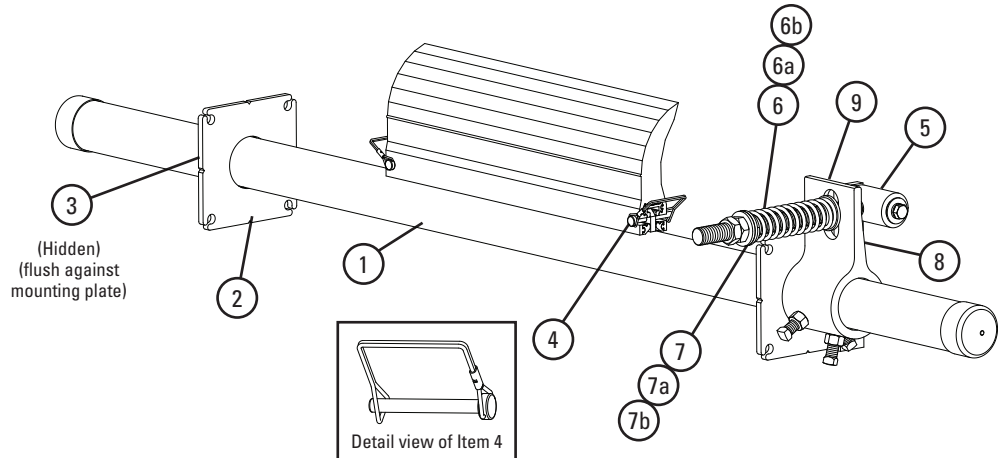
CLEANER BLADE WIDTH	76074 QMT-P	76075 QMT-W	76483 QMT-G
ConShear™ 16–28" (400–700mm)	X		
ConShear™ 34–70" (850–1750mm)		X	
ConShear™ 76–82" (1900–2050mm)			X

Spring Tensioner Selection Chart - UHT

CLEANER BLADE WIDTH	91285 QMT-A-P	91286 QMT-A-W
UHT ConShear™ 16–28" (400–700mm)	X	
UHT ConShear™ 34–70" (850–1750mm)		X

Replacement Parts List

MSP Stainless Steel Standard Mine-Duty Precleaner



Replacement Parts

REF	DESCRIPTION	ORDERING NUMBER	ITEM CODE	WT. LBS.
1	24" (600mm) SS Pole	MSPP24-S/S	77472	42.5
	30" (750mm) SS Pole	MSPP30-S/S	77473	46.0
	36" (900mm) SS Pole	MSPP36-S/S	77474	50.5
	42" (1050mm) SS Pole	MSPP42-S/S	77475	55.5
	48" (1200mm) SS Pole	MSPP48-S/S	77476	60.0
	54" (1350mm) SS Pole	MSPP54-S/S	77477	64.0
	60" (1500mm) SS Pole	MSPP60-S/S	77478	67.0
	72" (1800mm) SS Pole	MSPP72-S/S	77479	76.0
	84" (2100mm) SS Pole	MSPP84-S/S	77480	88.6
2	SS Mounting Plate Kit* (2 ea.)	MSPMPK-S/S	77582	8.3
3	SS Pole Lock* (1 ea.)	MSPPL-S/S	77524	1.9
4	Blade Pin Kit* (1 ea.)	MSPBP	107852	0.1
5	SS Pivot Arm Kit* (1 ea.)	QMTPAK-S/S	77587	4.3
6	SS Tension Spring – Purple (1 ea.)	QMTS-P-S/S	77450	0.6
6a	SS Tension Spring – White (1 ea.)	QMTS-W-S/S	77451	1.7
6b	SS Tension Spring – Gold (1 ea.)	QMTS-G-S/S	77452	2.5
7	Bushing Kit – Purple (2 ea.)	QMTBK-P	76097	0.1
7a	Bushing Kit – White (2 ea.)	QMTBK-W	76098	0.2
7b	Bushing Kit – Gold (2 ea.)	QMTBK-G	76540	0.3
8	SS Pivot Shaft Bracket Kit* (1 ea.)	QMTPSBK-S/S	77588	4.3
9	SS Torsion Arm Kit* (1 ea.)	PSTA-S/S	77442	11.4
-	SS QMT Spring Tensioner* – Purple (incl. (1) ea. items 5, 6, 7, 8, & 9)	QMT-P-S/S	77584	20.4
-	SS QMT Spring Tensioner* – White (incl. (1) ea. items 5, 6a, 7a, 8, & 9)	QMT-W-S/S	77585	21.8
-	SS QMT Spring Tensioner* – Gold (incl. (1) ea. items 5, 6b, 7b, 8, & 9)	QMT-G-S/S	77586	23.2

*Hardware Included
Lead Time: 1 working day

Shaded items are made to order.
Lead time: 3 weeks

Spring Tensioner Selection Chart

CLEANER BLADE WIDTH	77584 QMT-P-S/S	77585 QMT-W-S/S	77586 QMT-G-S/S
ConShear™ 16–28" (400–700mm)	X		
ConShear™ 34–70" (850–1750mm)		X	
ConShear™ 76–82" (1900–2050mm)			X

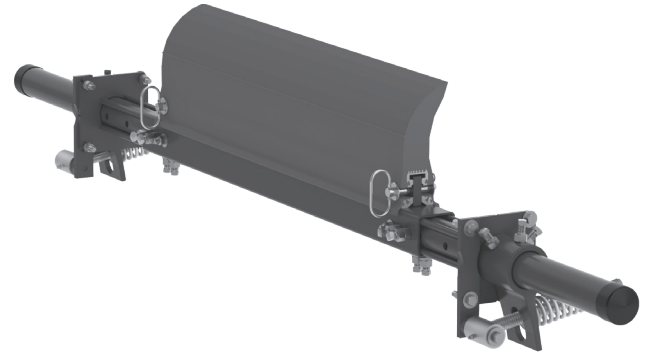
Product Ordering Information

MMP Medium Mine-Duty Precleaner

Belt Width Minus 6" (150 mm)

BELT WIDTH		BLADE WIDTH		ORDERING NUMBER	ITEM CODE	WT. LBS.
in.	mm	in.	mm			
24	600	18	450	MMP-624	76450	159.4
30	750	24	600	MMP-630	76451	175.0
36	900	30	750	MMP-636	76452	190.6
42	1050	36	900	MMP-642	76453	206.2
48	1200	42	1050	MMP-648	76454	221.8
54	1350	48	1200	MMP-654	76455	237.4
60	1500	54	1350	MMP-660	76456	253.0
72	1800	66	1650	MMP-672	76457	291.1
84	2100	78	1950	MMP-684	76798	344.1
96	2400	90	2250	MMP-696	79033	397.1

Lead time: 1 working day



Belt Width Minus 12" (300 mm)

BELT WIDTH		BLADE WIDTH		ORDERING NUMBER	ITEM CODE	WT. LBS.
in.	mm	in.	mm			
30	750	18	450	MMP-1230	76551	168.0
36	900	24	600	MMP-1236	76552	183.6
42	1050	30	750	MMP-1242	76553	199.2
48	1200	36	900	MMP-1248	76554	214.8
54	1350	42	1050	MMP-1254	76555	230.4
60	1500	48	1200	MMP-1260	76556	246.0
72	1800	60	1500	MMP-1272	76557	284.1
84	2100	72	1800	MMP-1284	76799	337.1
96	2400	84	2100	MMP-1296	79034	390.1

Lead time: 1 working day

Belt Width Minus 18" (450 mm)

BELT WIDTH		BLADE WIDTH		ORDERING NUMBER	ITEM CODE	WT. LBS.
in.	mm	in.	mm			
36	900	18	450	MMP-1836	77575	176.6
42	1050	24	600	MMP-1842	77576	192.2
48	1200	30	750	MMP-1848	77577	207.8
54	1350	36	900	MMP-1854	77578	223.4
60	1500	42	1050	MMP-1860	77579	239.0
72	1800	54	1350	MMP-1872	77580	277.1
84	2100	66	1650	MMP-1884	77581	330.1
96	2400	78	1950	MMP-1896	79040	383.1

Lead time: 1 working day

Optional Mounting Kits

DESCRIPTION	ORDERING NUMBER	ITEM CODE	WT. LBS.
Optional Mounting Bar Kit *	MMBK	75830	19.5
Mounting Plate Kit * (2 plates)	MMPK	76537	140.0

*Hardware Included

Lead time: 1 working day

Product Notes:

- Recommended for medium-duty conveyor applications. For abusive applications see the MHCP Heavy-Duty Cartridge Precleaner on page 56.
- Material Path Option: Fit the blade width to the belt's material path. The material path is typically the center 2/3 of the belt width. In most cases a blade size of belt width minus 6" (150 mm) may be the best solution.
- Each cleaner pole is retrofittable for three blade sizes (belt width minus 6" (150 mm), 12" (300 mm), or 18" (450 mm)).
- Pole Length: Belt width plus 54" (1350 mm). For longer requirements see Installation Accessories – Pole Extender Kit on page 138.
- Visual Tension Check: No guesswork on blade tensioning. Measure the spring and adjust to specified length per blade width to restore optimal tensioning.
- To make cleaner installation easier and quicker, see Optional Mounting Kits on page 138.

Product Ordering Information

MMP Stainless Steel Medium Mine-Duty Precleaner

Belt Width Minus 6" (150 mm)

BELT WIDTH		BLADE WIDTH		ORDERING NUMBER	ITEM CODE	WT. LBS.
in.	mm	in.	mm			
24	600	18	450	MMP-624-S/S	77424	159.4
30	750	24	600	MMP-630-S/S	77425	175.0
36	900	30	750	MMP-636-S/S	77426	190.6
42	1050	36	900	MMP-642-S/S	77427	206.2
48	1200	42	1050	MMP-648-S/S	77428	221.8
54	1350	48	1200	MMP-654-S/S	77429	237.4
60	1500	54	1350	MMP-660-S/S	77430	253.0
72	1800	66	1650	MMP-672-S/S	77431	291.1
84	2100	78	1950	MMP-684-S/S	77432	344.1
96	2400	90	2250	MMP-696-S/S	79035	397.1

Lead time: 3 weeks



Belt Width Minus 12" (300 mm)

BELT WIDTH		BLADE WIDTH		ORDERING NUMBER	ITEM CODE	WT. LBS.
in.	mm	in.	mm			
30	750	18	450	MMP-1230-S/S	77433	168.0
36	900	24	600	MMP-1236-S/S	77434	183.6
42	1050	30	750	MMP-1242-S/S	77435	199.2
48	1200	36	900	MMP-1248-S/S	77436	214.8
54	1350	42	1050	MMP-1254-S/S	77437	230.4
60	1500	48	1200	MMP-1260-S/S	77438	246.0
72	1800	60	1500	MMP-1272-S/S	77439	284.1
84	2100	72	1800	MMP-1284-S/S	77440	337.1
96	2400	84	2100	MMP-1296-S/S	79036	390.1

Lead time: 3 weeks

Product Notes:

- Recommended for medium-duty conveyor applications, but in corrosive environments.
- Material Path Option: Fit the blade width to the belt's material path. The material path is typically the center 2/3 of the belt width. In most cases a blade size of belt width minus 6" (150 mm) may be the best solution.
- Each cleaner pole is retrofittable for three blade sizes (belt width minus 6" (150 mm), 12" (300 mm), or 18" (450 mm)).
- Pole Length: Belt width plus 54" (1350 mm). For longer requirements see Installation Accessories – Pole Extender Kit on page 138.
- Visual Tension Check: No guesswork on blade tensioning. Measure the spring and adjust to specified length per blade width to restore optimal tensioning.
- To make cleaner installation easier and quicker, see Optional Mounting Kits on page 138.

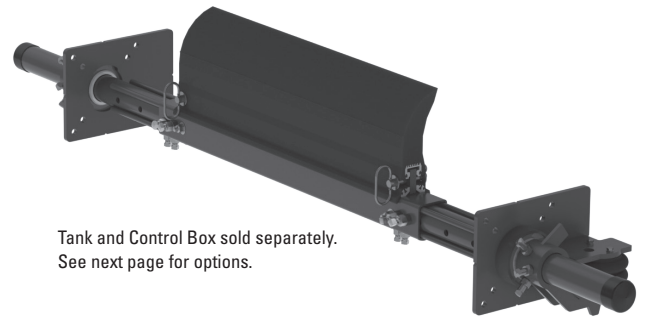
Product Ordering Information

MMP Medium Mine-Duty Precleaner with Pneumatic Air Tensioner

Belt Width Minus 6" (150 mm)

BELT WIDTH		BLADE WIDTH		ORDERING NUMBER	ITEM CODE	WT. LBS.
in.	mm	in.	mm			
24	600	18	450	MMP-624P	78706	202.0
30	750	24	600	MMP-630P	78707	217.6
36	900	30	750	MMP-636P	78708	233.2
42	1050	36	900	MMP-642P	78709	248.8
48	1200	42	1050	MMP-648P	78710	264.4
54	1350	48	1200	MMP-654P	78711	280.0
60	1500	54	1350	MMP-660P	78712	295.6
72	1800	66	1650	MMP-672P	78713	333.7
84	2100	78	1950	MMP-684P	78714	386.7
96	2400	90	2250	MMP-696P	79037	439.7
108	2700	102	2350	MMP-6108P	90389	492.7
120	3000	114	2650	MMP-6120P	90390	545.7

Lead time: 1 working day



Tank and Control Box sold separately.
See next page for options.

Belt Width Minus 12" (300 mm)

BELT WIDTH		BLADE WIDTH		ORDERING NUMBER	ITEM CODE	WT. LBS.
in.	mm	in.	mm			
30	750	18	450	MMP-1230P	78715	210.6
36	900	24	600	MMP-1236P	78716	226.2
42	1050	30	750	MMP-1242P	78717	241.8
48	1200	36	900	MMP-1248P	78718	257.4
54	1350	42	1050	MMP-1254P	78719	273.0
60	1500	48	1200	MMP-1260P	78720	288.6
72	1800	60	1500	MMP-1272P	78721	326.7
84	2100	72	1800	MMP-1284P	78722	379.7
96	2400	84	2100	MMP-1296P	79038	432.7
108	2700	96	2400	MMP-12108P	90391	485.7
120	3000	108	2700	MMP-12120P	90392	538.7

Lead time: 1 working day

Shaded items are made to order.
Lead time: 3 weeks

Product Notes:

- Recommended for medium-duty conveyor applications. For abusive applications see MHCP Heavy-Duty Cartridge Precleaner (56).
- Material Path Option: Fit the blade width to the belt's material path. The material path is typically the center 2/3 of the belt width. In most cases a blade size of belt width minus 6" (150 mm) may be the best solution.
- Each cleaner pole is retrofittable for three blade sizes (belt width minus 6" (150 mm), 12" (300 mm), or 18" (450 mm)).
- Pole Length: Belt width plus 54" (1350 mm). For longer requirements see Installation Accessories – Pole Extender Kit on page 138.
- Pneumatic Air Tensioner used for constant, automatic tension throughout the life of the blades. Can be used with site-available air lines or with the add-on Control Box or Control Box/Tank Combo Kit.
- To make cleaner installation easier and quicker, see Optional Mounting Kits on page 138.

Product Ordering Information

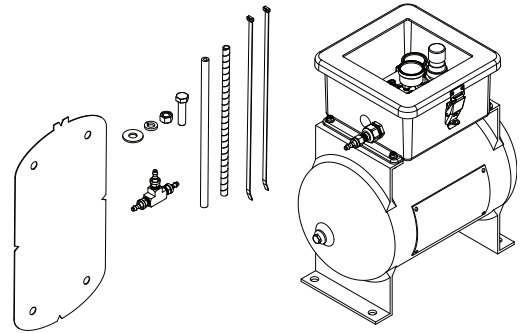
Line Connections for Pneumatic Air Tensioner

Control Box/Tank Combo Units for Closed System

DESCRIPTION	ORDERING NUMBER	ITEM CODE	WT. LBS.
Control Box/Tank Combo Unit for Precleaner - 60 PSI	PAT-C-60	108230	64.0
Control Box/Tank Combo Unit for Secondary Cleaner - 100 PSI	PAT-C-100	108231	64.0

Product Notes:

- For use with cleaners with new PAT systems.
- 150# pop-off valve for safe pressurizing/charging of Air Tank.
- ASME construction tank.
- Fully sealed enclosure includes all critical items - regulator, tank gauge, downstream gauge, schrader valve, in-line filter, downstream valve.

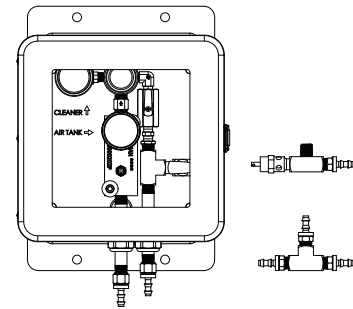


Control Box for Legacy Tank

DESCRIPTION	ORDERING NUMBER	ITEM CODE	WT. LBS.
Control Box Kit for Precleaner - 60 PSI	PACB2-60	108228	13.6
Control Box Kit for Secondary Cleaner - 100 PSI	PACB2-100	108229	13.6

Product Notes:

- For use with Legacy PAT1/PAT2 tank systems ordered prior to January 2024.
- 150# pop-off valve for safe pressurizing/charging of Air Tank.
- May also be paired with Air Tank for Legacy Control Box if preferred.

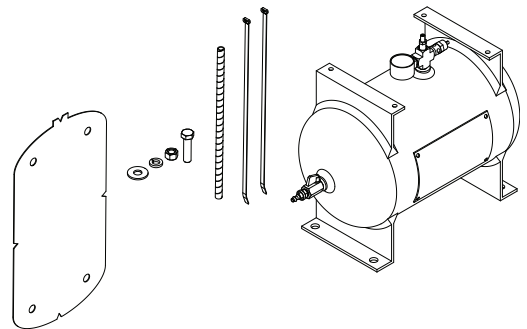


Air Tank for Legacy Control Box

DESCRIPTION	ORDERING NUMBER	ITEM CODE	WT. LBS.
ASME Air Tank Kit	PAT-N	108232	47.3

Product Notes:

- For use with Legacy PACB60/PACB100 control boxes ordered prior to January 2024.
- 150# pop-off valve for safe pressurizing/charging of Air Tank.
- ASME construction tank.
- May also be paired with Control Box for Legacy Tank if preferred.



Replacement Parts List

DESCRIPTION	ORDERING NUMBER	ITEM CODE	WT. LBS.
10' (3m) Hose Kit	PATHK	78794	1.5
Upgrade Fitting Kit (fill valve, push-on fittings, plugs)	AWTRK	79319	0.4

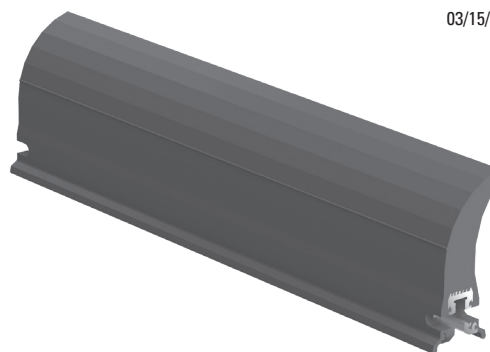
TuffShear™ Replacement Blades

MMP
Medium Mine-Duty Precleaner

Standard TuffShear™ Blades

BLADE WIDTH		ORDERING NUMBER	ITEM CODE	WT. LBS.
in.	mm			
18	450	TRB18	76485	21.0
24	600	TRB24	76486	28.0
30	750	TRB30	76487	35.0
36	900	TRB36	76488	42.0
42	1050	TRB42	76489	49.0
48	1200	TRB48	76490	56.0
54	1350	TRB54	76491	63.0
60	1500	TRB60	76492	70.0
66	1650	TRB66	76493	77.0
72	1800	TRB72	76494	84.0
78	1950	TRB78	76697	91.0
84	2100	TRB84	77047	98.0
90	2250	TRB90	77048	105.0

Other blade sizes available upon request.
Lead time: 1 working day



03/15/21: TuffShear replacement blades will retrofit to Martin® QC® XHD Cleaners.

High-Temp TuffShear™ Blades - Yellow

BLADE WIDTH		ORDERING NUMBER	ITEM CODE	WT. LBS.
in.	mm			
18	450	TRB-HT18	78754	21.0
24	600	TRB-HT24	78755	28.0
30	750	TRB-HT30	78756	35.0
36	900	TRB-HT36	78757	42.0
42	1050	TRB-HT42	78758	49.0
48	1200	TRB-HT48	78759	56.0
54	1350	TRB-HT54	78760	63.0
60	1500	TRB-HT60	78761	70.0
66	1650	TRB-HT66	78762	77.0
72	1800	TRB-HT72	78763	84.0
78	1950	TRB-HT78	78764	91.0

Other blade sizes available upon request.
Lead time: 1 working day

Ultra High-Temp TuffShear™ Blades - Red

BLADE WIDTH		ORDERING NUMBER	ITEM CODE	WT. LBS.
in.	mm			
18	450	TRB-UHT18	91865	21.0
24	600	TRB-UHT24	91866	28.0
30	750	TRB-UHT30	91867	35.0
36	900	TRB-UHT36	91868	42.0
42	1050	TRB-UHT42	91869	49.0
48	1200	TRB-UHT48	91870	56.0
54	1350	TRB-UHT54	91871	63.0
60	1500	TRB-UHT60	91872	70.0
66	1650	TRB-UHT66	91873	77.0
72	1800	TRB-UHT72	91874	84.0
78	1950	TRB-UHT78	91875	91.0
84	2100	TRB-UHT84	91876	98.0
90	2250	TRB-UHT90	91877	105.0

Lead time: 1 working day; shaded items: 3 weeks

Product Notes:

- A molded-in wear line indicates when the blade is worn out and needs to be replaced.
- Faceted blade profile: Renews its cleaning edge as the blade wears.
- TuffShear™ blades are made of a special long-wearing polyurethane.
- Quick blade replacement: Pull one pin, remove the old blade and slide the new one in.

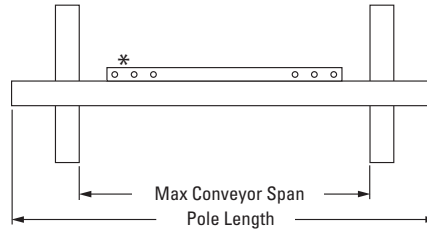
Martin® and QC1® are registered trademarks of Martin Engineering, Neponset, IL.

Specifications & Guidelines

Pole Length Specifications*

CLEANER SIZE		MAX OVERALL POLE LENGTH		CENTER POLE LENGTH		MAXIMUM CONVEYOR SPAN	
in.	mm	in.	mm	in.	mm	in.	mm
24	600	78	1950	24	600	66	1650
30	750	84	2100	30	750	72	1800
36	900	90	2250	36	900	78	1950
42	1050	96	2400	42	1050	84	2100
48	1200	102	2550	48	1200	90	2250
54	1350	108	2700	54	1350	96	2400
60	1500	114	2850	60	1500	102	2550
72	1800	126	3150	72	1800	114	2850
84	2100	138	3450	84	2100	126	3150
96	2400	150	3750	96	2400	138	3450
108	2700	162	4050	108	2700	150	3750
120	3000	174	4350	120	3000	162	4050

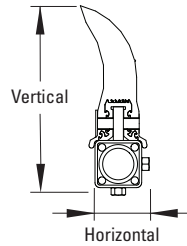
* For special extra long pole length requirements a Pole Extender Kit (#76024) is available that provides 30" (750 mm) of extended pole length. (p. 138). Pole Diameter – 2-7/8" (73 mm)



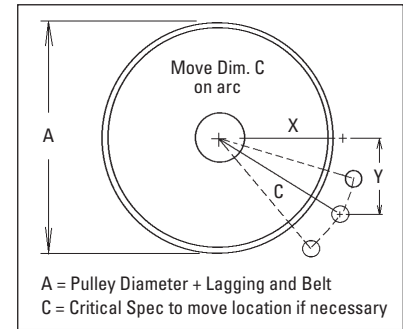
*Each pole size can be used with a blade size down to 18" (450 mm) in 6" (150 mm) increments.

Clearance Guidelines for Installation

HORIZONTAL CLEARANCE REQUIRED		VERTICAL CLEARANCE REQUIRED	
in.	mm	in.	mm
4	100	13	325



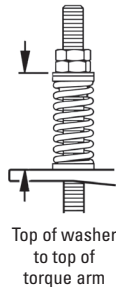
Pole Location Specs



QMT Spring Length Chart

Blade Width		Purple Springs		White Springs		Gold Springs		Silver Springs	
in.	mm	in.	mm	in.	mm	in.	mm	in.	mm
18	450	4 3/8	111	6	152	N/A	N/A	N/A	N/A
24	600	N/A	N/A	5 3/4	146	6	152	N/A	N/A
30	750	N/A	N/A	5 1/2	140	5 7/8	149	N/A	N/A
36	900	N/A	N/A	5 3/8	137	5 3/4	146	N/A	N/A
42	1050	N/A	N/A	5 1/8	130	5 5/8	143	6 1/8	156
48	1200	N/A	N/A	5	127	5 5/8	143	6 1/8	156
54	1350	N/A	N/A	4 3/4	121	5 1/2	140	6	152
60	1500	N/A	N/A	4 1/2	114	5 3/8	137	6	152
66	1650	N/A	N/A	N/A	N/A	5 1/4	133	5 7/8	149
72	1800	N/A	N/A	N/A	N/A	5 1/8	130	5 7/8	149
78	1950	N/A	N/A	N/A	N/A	5	127	5 3/4	146
84	2100	N/A	N/A	N/A	N/A	4 7/8	124	5 3/4	146
90	2250	N/A	N/A	N/A	N/A	N/A	N/A	5 3/4	146
96	2400	N/A	N/A	N/A	N/A	N/A	N/A	5 5/8	143
102	2550	N/A	N/A	N/A	N/A	N/A	N/A	5 5/8	143
108	2700	N/A	N/A	N/A	N/A	N/A	N/A	5 1/2	140
114	2850	N/A	N/A	N/A	N/A	N/A	N/A	5 1/2	140

Shading indicates preferred spring option.



PAT Pressure Chart

Blade Width		Pressure	
in.	mm	psi	kPa
18	450	5	34
24	600	6	41
32	800	8	55
36	900	9	62
42	1050	11	76
48	1200	13	90
54	1350	14	97
60	1500	16	110
66	1650	17	117
72	1800	19	131
78	1950	21	145
84	2100	22	152
90	2250	24	165
96	2400	25	172
102	2550	27	186
108	2700	28	193
114	2850	30	207

*PSI setting is based on belt width.

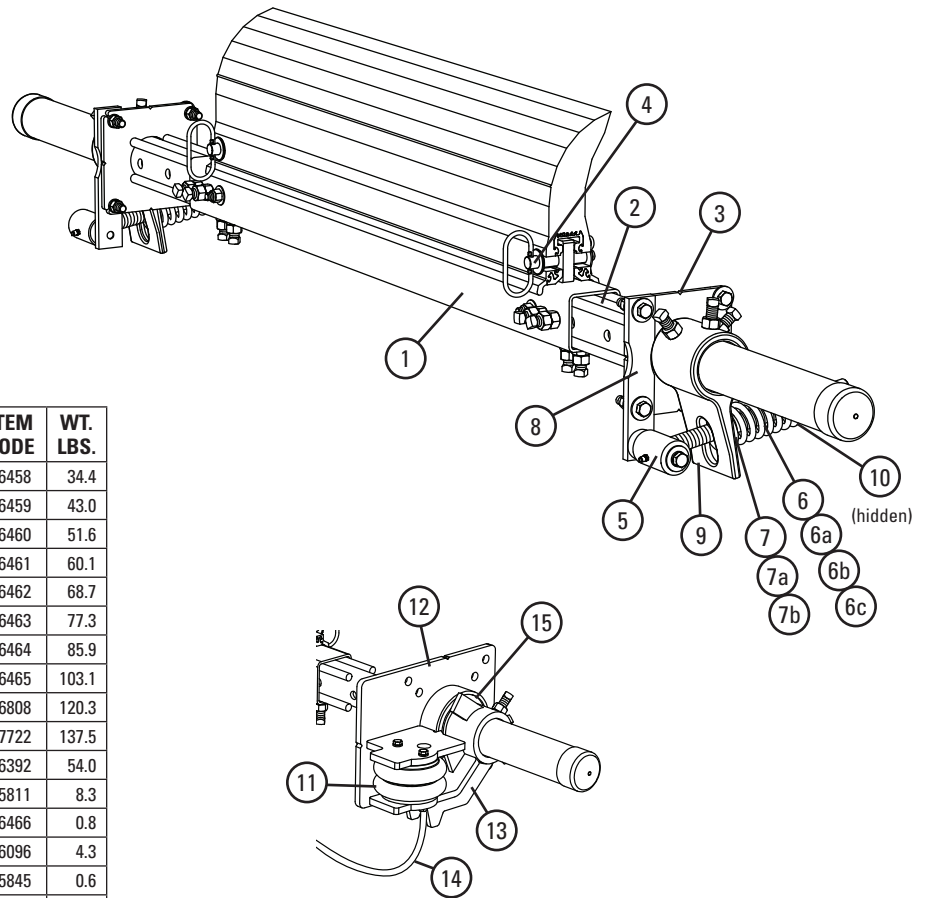
Pole Location Chart

A		X		Y		C	
in.	mm	in.	mm	in.	mm	in.	mm
16	400	8 1/8	206	12	300	14 1/2	368
17	425	8 3/4	222	12	300	14 7/8	378
18	450	9 1/4	235	12	300	15 1/8	384
19	475	9 3/4	248	12	300	15 1/2	394
20	500	10 3/8	264	12	300	15 7/8	403
21	525	11	279	12	300	16 1/4	413
22	550	11 1/2	292	12	300	16 5/8	422
23	575	12	305	12	300	17	432
24	600	12 5/8	321	12	300	17 3/8	441
25	625	13 1/8	333	12	300	17 3/4	451
26	650	13 5/8	346	12	300	18 1/8	460
27	675	14 1/8	359	12	300	18 1/2	470
28	700	14 5/8	371	12	300	18 7/8	479
29	725	15 1/4	387	12	300	19 3/8	492
30	750	15 5/8	397	12	300	19 3/4	502
31	775	16 1/8	410	12	300	20 1/8	511
32	800	16 3/4	425	12	300	20 5/8	524
33	825	17 1/4	438	12	300	21	533
34	850	17 3/4	451	12	300	21 3/8	543
35	875	18 1/4	464	12	300	21 7/8	556
36	900	18 3/4	476	12	300	22 1/4	565
37	925	19 3/8	492	12	300	22 3/4	578
38	950	19 3/4	502	12	300	23 1/8	587
39	975	20 3/8	518	12	300	23 5/8	600
40	1000	20 3/4	527	12	300	24	610
41	1025	21 3/8	543	12	300	24 1/2	622
42	1050	21 7/8	556	12	300	25	635
43	1075	22 1/2	572	12	300	25 1/2	648
44	1100	23 1/8	587	12	300	26	660
45	1125	23 5/8	600	12	300	26 1/2	673
46	1150	24 1/8	613	12	300	27	686
47	1175	24 3/4	629	12	300	27 1/2	699
48	1200	25 1/4	641	12	300	28	711

Specifications:

- Maximum Belt Speed 1000 FPM (5 m/s)
- Temperature Rating TuffShear™: -30 to 180°F (-35 to 82°C)
TuffShear™ High-Temp: up to 275°F (135°C) with spikes to 325°F (164°C)
- Minimum Pulley Diameter..... 16" (400 mm)
- Blade Height..... 10" (250 mm)
- Usable Blade Wear Length..... 6" (150 mm)
- Blade Material Polyurethane (proprietary blend for abrasion resistance and long wear)
- Available for Belt Widths 24 to 96" (600 to 2400 mm) Other sizes available upon request.
- CEMA Cleaner Rating Class 4

Replacement Parts List



Replacement Parts

REF	DESCRIPTION	ORDERING NUMBER	ITEM CODE	WT. LBS.
1	24" (600mm) Center Pole	MMPCP24	76458	34.4
	30" (750mm) Center Pole	MMPCP30	76459	43.0
	36" (900mm) Center Pole	MMPCP36	76460	51.6
	42" (1050mm) Center Pole	MMPCP42	76461	60.1
	48" (1200mm) Center Pole	MMPCP48	76462	68.7
	54" (1350mm) Center Pole	MMPCP54	76463	77.3
	60" (1500mm) Center Pole	MMPCP60	76464	85.9
	72" (1800mm) Center Pole	MMPCP72	76465	103.1
	84" (2100mm) Center Pole	MMPCP84	76808	120.3
96" (2400mm) Center Pole	MMPCP96	77722	137.5	
2	Extender Pole Kit (2 ea.)	MHP-EP	76392	54.0
3	Mounting Plate Kit* (2 ea.)	MSPMPK	75811	8.3
4	Blade Pin Kit* (1 ea.)	MMPBPK	76466	0.8
5	Pivot Arm Kit* (1 ea.)	QMTPAK	76096	4.3
6	Tension Spring - Purple (1 ea.)	QMTS-P	75845	0.6
6a	Tension Spring - White (1 ea.)	PSTS-W	75898	1.7
6b	Tension Spring - Gold (1 ea.)	QMTS-G	76484	2.5
6c	Tension Spring - Silver (1 ea.)	PSTS-S	75899	3.0
7	Bushing Kit - Purple (2 ea.)	QMTBK-P	76097	0.1
7a	Bushing Kit - White & Silver (2 ea.)	QMTBK-W	76098	0.2
7b	Bushing Kit - Gold (2 ea.)	QMTBK-G	76540	0.3
8	Pivot Shaft Bracket Kit* (1 ea.)	QMTPSBK	76099	4.3
9	Torsion Arm Kit* (1 ea.)	PSTA	75896	11.4
10	Jam Nut Kit, QMT Tensioner	JNK-C	79893	0.3
-	QMT Spring Tensioner* - Purple (incl. (1) ea. items 5, 6, 7, 8, & 9)	QMT-P	76074	20.4
-	QMT Spring Tensioner* - White (incl. (1) ea. items 5, 6a, 7a, 8, & 9)	QMT-W	76075	21.8
-	QMT Spring Tensioner* - Gold (incl. (1) ea. items 5, 6b, 7b, 8, & 9)	QMT-G	76483	23.2
-	QMT Spring Tensioner* - Silver (incl. (1) ea. items 5, 6c, 7a, 8 & 9)	QMT-S	79039	20.3
11	Air/Water Bag (1 ea.)	AWTB	75905	3.8
12	Mounting Base (1 ea.)	AWTMB	75906	22.9
13	Torque Arm* (1 ea.)	AWTA	75907	11.6
14	Hose Kit (50' of hose & (6) hose clamps)	AWTHK	75909	6.7
15	AWT Pole Bearing Assy (for cleaners shipped after 4/2016)	AWTPBA	90000	2.3
-	AWT Air/Water Tensioner (incl. (2) ea. items 11,12,13 & 14)	AWTNCB	76069	75.2

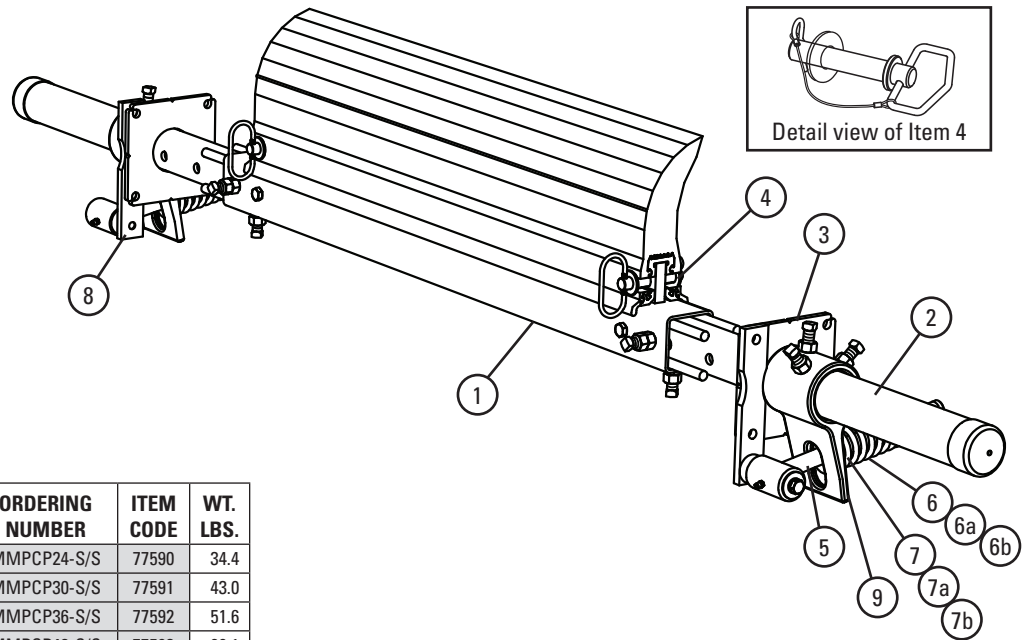
*Hardware Included
Lead Time: 1 working day

Spring Tensioner Selection Chart

CLEANER BLADE WIDTH	76074 QMT-P	76075 QMT-W	76483 QMT-G	79039 QMT-S
TuffShear™ 18-24" (450-600mm)	X			
TuffShear™ 30-48" (750-1200mm)		X		
TuffShear™ 54-78" (1350-1950mm)			X	
TuffShear™ 84-90" (2100-2250mm)				X

Replacement Parts List

MMP Stainless Steel Medium Mine-Duty Precleaner



Replacement Parts

REF	DESCRIPTION	ORDERING NUMBER	ITEM CODE	WT. LBS.
1	24" (600mm) SS Center Pole	MMPCP24-S/S	77590	34.4
	30" (750mm) SS Center Pole	MMPCP30-S/S	77591	43.0
	36" (900mm) SS Center Pole	MMPCP36-S/S	77592	51.6
	42" (1050mm) SS Center Pole	MMPCP42-S/S	77593	60.1
	48" (1200mm) SS Center Pole	MMPCP48-S/S	77594	68.7
	54" (1350mm) SS Center Pole	MMPCP54-S/S	77595	77.3
	60" (1500mm) SS Center Pole	MMPCP60-S/S	77596	85.9
	72" (1800mm) SS Center Pole	MMPCP72-S/S	77597	103.1
	84" (2100mm) SS Center Pole	MMPCP84-S/S	77598	120.3
	96" (2400mm) SS Center Pole	MMPCP96-S/S	78686	137.5
2	SS Extender Pole Kit (2 ea.)	MHP-EP-S/S	77599	54.0
3	SS Mounting Plate Kit* (2 ea.)	MSPMPK-S/S	77582	8.3
4	SS Blade Pin Kit* (1 ea.)	MMPBPK-S/S	77600	0.8
5	SS Pivot Arm Kit* (1 ea.)	QMTPAK-S/S	77587	4.3
6	SS Tension Spring—Purple (1 ea.)	QMTS-P-S/S	77450	0.6
6a	SS Tension Spring—White (1 ea.)	QMTS-W-S/S	77451	1.7
6b	SS Tension Spring—Gold (1 ea.)	QMTS-G-S/S	77452	2.5
6c	SS Tension Spring—Silver (1 ea.)	QMTS-S-S/S	79056	3.1
7	Bushing Kit – Purple (2 ea.)	QMTBK-P	76097	0.1
7a	Bushing Kit – White and Silver (2 ea.)	QMTBK-W	76098	0.2
7b	Bushing Kit – Gold (2 ea.)	QMTBK-G	76540	0.3
8	SS Pivot Shaft Bracket Kit* (1 ea.)	QMTPSBK-S/S	77588	4.3
9	SS Torsion Arm Kit* (1 ea.)	PSTA-S/S	77442	11.4
-	SS QMT Spring Tensioner*—Purple (incl. (1) ea. items 5, 6, 7, 8, & 9)	QMT-P-S/S	77584	20.4
-	SS QMT Spring Tensioner*—White (incl. (1) ea. items 5, 6a, 7a, 8, & 9)	QMT-W-S/S	77585	21.8
-	SS QMT Spring Tensioner*—Gold (incl. (1) ea. items 5, 6b, 7b, 8, & 9)	QMT-G-S/S	77586	23.2
-	SS QMT Spring Tensioner*—Silver (incl. (1) ea. items 5, 6c, 7a, 8 & 9)	QMT-S-S/S	79059	24.6

*Hardware Included
Lead Time: 1 working day

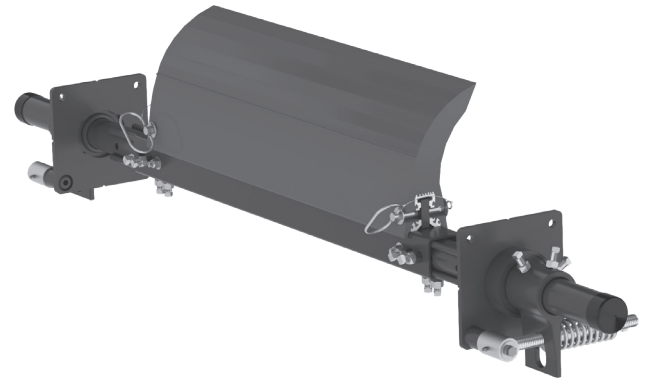
Shaded items are made to order.
Lead time: 3 weeks

Spring Tensioner Selection Chart

CLEANER BLADE WIDTH	77584 QMT-P-S/S	77585 QMT-W-S/S	77586 QMT-G-S/S	79059 QMT-S-S/S
TuffShear™ 18–24" (450–600mm)	X			
TuffShear™ 30–48" (750–1200mm)		X		
TuffShear™ 54–78" (1350–1950mm)			X	
TuffShear™ 84–90" (2100–2250mm)				X

Product Ordering Information

MHP
Heavy-Duty Precleaner



Belt Width Minus 6" (150 mm)

BELT WIDTH		BLADE WIDTH		ORDERING NUMBER	ITEM CODE	WT. LBS.
in.	mm	in.	mm			
24	600	18	450	MHP-624	77703	249.4
30	750	24	600	MHP-630	77704	267.6
36	900	30	750	MHP-636	77705	285.8
42	1050	36	900	MHP-642	77706	304.0
48	1200	42	1050	MHP-648	77707	322.2
54	1350	48	1200	MHP-654	77708	341.7
60	1500	54	1350	MHP-660	77709	359.9
72	1800	66	1650	MHP-672	77710	396.4
84	2100	78	1950	MHP-684	77711	432.9
96	2400	90	2250	MHP-696	77712	469.4

Lead time: 1 working day

Belt Width Minus 12" (300 mm)

BELT WIDTH		BLADE WIDTH		ORDERING NUMBER	ITEM CODE	WT. LBS.
in.	mm	in.	mm			
30	750	18	450	MHP-1230	77713	258.0
36	900	24	600	MHP-1236	77714	276.2
42	1050	30	750	MHP-1242	77715	294.3
48	1200	36	900	MHP-1248	77716	312.6
54	1350	42	1050	MHP-1254	77717	330.8
60	1500	48	1200	MHP-1260	77718	350.3
72	1800	60	1500	MHP-1272	77719	386.8
84	2100	72	1800	MHP-1284	77720	432.2
96	2400	84	2100	MHP-1296	77721	477.6

Lead time: 1 working day

Belt Width Minus 18" (450 mm)

BELT WIDTH		BLADE WIDTH		ORDERING NUMBER	ITEM CODE	WT. LBS.
in.	mm	in.	mm			
36	900	18	450	MHP-1836	78591	266.6
42	1050	24	600	MHP-1842	78592	284.7
48	1200	30	750	MHP-1848	78593	302.9
54	1350	36	900	MHP-1854	78594	321.2
60	1500	42	1050	MHP-1860	78595	339.4
72	1800	54	1350	MHP-1872	78596	377.1
84	2100	66	1650	MHP-1884	78597	413.6
96	2400	78	1950	MHP-1896	78598	450.1

Lead time: 1 working day

Belt Width Minus 24" (450 mm)

BELT WIDTH		BLADE WIDTH		ORDERING NUMBER	ITEM CODE	WT. LBS.
in.	mm	in.	mm			
42	1050	18	450	MHP-2442	78669	275.1
48	1200	24	600	MHP-2448	78670	293.3
54	1350	30	750	MHP-2454	78671	311.5
60	1500	36	900	MHP-2460	78672	329.8
72	1800	48	1200	MHP-2472	78673	367.5
84	2100	60	1500	MHP-2484	78674	404.0
96	2400	72	1800	MHP-2496	78675	440.4

Lead time: 1 working day

Optional Mounting Kits

DESCRIPTION	ORDERING NUMBER	ITEM CODE	WT. LBS.
Optional Mounting Bar Kit *	MMBK	75830	19.5
Mounting Plate Kit * (2 plates)	MMPK	76537	140.0

*Hardware Included

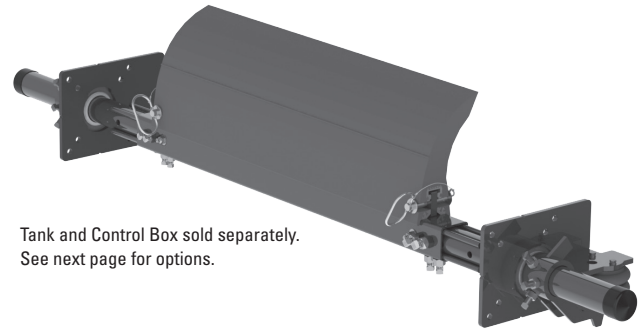
Lead time: 1 working day

Product Notes:

- Recommended for heavy-duty conveyor applications.
- Material Path Option: Fit the blade width to the belt's material path. The material path is typically the center 2/3 of the belt width. In most cases a blade size of belt width minus 6" (150 mm) may be the best solution.
- Each cleaner pole is retrofittable for four blade sizes (belt width minus 6" (150 mm), 12" (300 mm), 18" (450 mm), or 24" (600 mm)).
- Pole Length: Belt width plus 54" (1350 mm). For longer requirements see Installation Accessories - Pole Extender Kit on page 138.
- Visual Tension Check: No guesswork on blade tensioning. Measure the spring and adjust to specified length per blade width to restore optimal tensioning.
- To make cleaner installation easier and quicker, see Optional Mounting Kits on page 138.

Product Ordering Information

MHP Heavy-Duty Precleaner with Pneumatic Air Tensioner



Tank and Control Box sold separately.
See next page for options.

Belt Width Minus 6" (150 mm)

BELT WIDTH		BLADE WIDTH		ORDERING NUMBER	ITEM CODE	WT. LBS.
in.	mm	in.	mm			
24	600	18	450	MHP-624P	78599	249.6
30	750	24	600	MHP-630P	78600	267.8
36	900	30	750	MHP-636P	78601	286.0
42	1050	36	900	MHP-642P	78602	304.2
48	1200	42	1050	MHP-648P	78603	322.4
54	1350	48	1200	MHP-654P	78604	340.6
60	1500	54	1350	MHP-660P	78605	358.8
72	1800	66	1650	MHP-672P	78606	395.3
84	2100	78	1950	MHP-684P	78607	431.8
96	2400	90	2250	MHP-696P	78608	468.3
108	2700	102	2350	MHP-6108P	90159	506.1
120	3000	114	2650	MHP-6120P	90160	542.6

Lead time: 1 working day

Belt Width Minus 12" (300 mm)

BELT WIDTH		BLADE WIDTH		ORDERING NUMBER	ITEM CODE	WT. LBS.
in.	mm	in.	mm			
30	750	18	450	MHP-1230P	78609	258.2
36	900	24	600	MHP-1236P	78610	276.4
42	1050	30	750	MHP-1242P	78611	294.5
48	1200	36	900	MHP-1248P	78612	312.8
54	1350	42	1050	MHP-1254P	78613	331.0
60	1500	48	1200	MHP-1260P	78614	349.2
72	1800	60	1500	MHP-1272P	78615	385.7
84	2100	72	1800	MHP-1284P	78616	422.1
96	2400	84	2100	MHP-1296P	78617	458.5
108	2700	96	2400	MHP-12108P	90161	496.5
120	3000	108	2700	MHP-12120P	90162	533.0

Lead time: 1 working day

Belt Width Minus 18" (450 mm)

BELT WIDTH		BLADE WIDTH		ORDERING NUMBER	ITEM CODE	WT. LBS.
in.	mm	in.	mm			
36	900	18	450	MHP-1836P	78618	266.8
42	1050	24	600	MHP-1842P	78619	284.9
48	1200	30	750	MHP-1848P	78620	303.1
54	1350	36	900	MHP-1854P	78621	321.4
60	1500	42	1050	MHP-1860P	78622	339.6
72	1800	54	1350	MHP-1872P	78623	376.0
84	2100	66	1650	MHP-1884P	78624	412.5
96	2400	78	1950	MHP-1896P	78625	449.0
108	2700	90	2250	MHP-18108P	90163	486.9
120	3000	102	2550	MHP-18120P	90164	523.4

Lead time: 1 working day

Shaded items are made to order.
Lead time: 3 weeks

Belt Width Minus 24" (600 mm)

BELT WIDTH		BLADE WIDTH		ORDERING NUMBER	ITEM CODE	WT. LBS.
in.	mm	in.	mm			
42	1050	18	450	MHP-2442P	78676	275.3
48	1200	24	600	MHP-2448P	78677	293.5
54	1350	30	750	MHP-2454P	78678	311.7
60	1500	36	900	MHP-2460P	78679	330.0
72	1800	48	1200	MHP-2472P	78680	366.4
84	2100	60	1500	MHP-2484P	78681	402.9
96	2400	72	1800	MHP-2496P	78682	439.3
108	2700	84	2100	MHP-24108P	90165	477.3
120	3000	96	2400	MHP-24120P	90166	513.8

Lead time: 1 working day

Product Notes:

- Recommended for heavy-duty conveyor applications.
- Material Path Option: Fit the blade width to the belt's material path. The material path is typically the center 2/3 of the belt width. In most cases a blade size of belt width minus 6" (150 mm) may be the best solution.
- Each cleaner pole is retrofittable for four blade sizes (belt width minus 6" (150 mm), 12" (300 mm), 18" (450 mm), or 24" (600 mm)).
- Pole Length: Belt width plus 54" (1350 mm). For longer requirements see Installation Accessories – Pole Extender Kit on page 138.
- Check tension from regulator in control box. Adjust according to air tension per blade width for optimal tensioning.
- To make cleaner installation easier and quicker, see Optional Mounting Kits on page 138.

Product Ordering Information

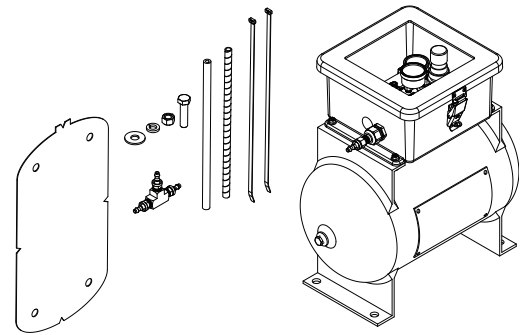
Line Connections for Pneumatic Air Tensioner

Control Box/Tank Combo Units for Closed System

DESCRIPTION	ORDERING NUMBER	ITEM CODE	WT. LBS.
Control Box/Tank Combo Unit for Precleaner - 60 PSI	PAT-C-60	108230	64.0
Control Box/Tank Combo Unit for Secondary Cleaner - 100 PSI	PAT-C-100	108231	64.0

Product Notes:

- For use with cleaners with new PAT systems.
- 150# pop-off valve for safe pressurizing/charging of Air Tank.
- ASME construction tank.
- Fully sealed enclosure includes all critical items - regulator, tank gauge, downstream gauge, schrader valve, in-line filter, downstream valve.

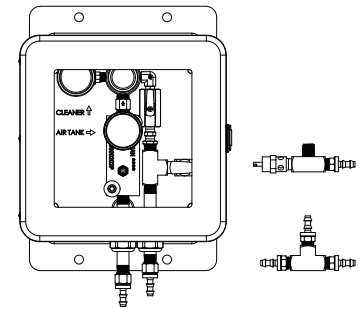


Control Box for Legacy Tank

DESCRIPTION	ORDERING NUMBER	ITEM CODE	WT. LBS.
Control Box Kit for Precleaner - 60 PSI	PACB2-60	108228	13.6
Control Box Kit for Secondary Cleaner - 100 PSI	PACB2-100	108229	13.6

Product Notes:

- For use with Legacy PAT1/PAT2 tank systems ordered prior to January 2024.
- 150# pop-off valve for safe pressurizing/charging of Air Tank.
- May also be paired with Air Tank for Legacy Control Box if preferred.

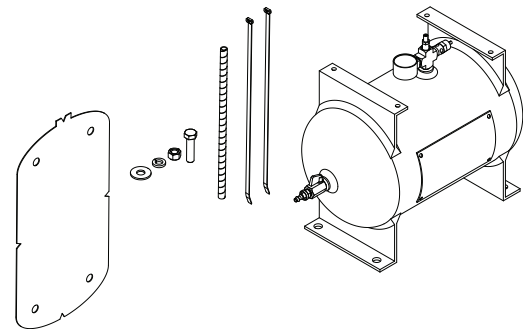


Air Tank for Legacy Control Box

DESCRIPTION	ORDERING NUMBER	ITEM CODE	WT. LBS.
ASME Air Tank Kit	PAT-N	108232	47.3

Product Notes:

- For use with Legacy PACB60/PACB100 control boxes ordered prior to January 2024.
- 150# pop-off valve for safe pressurizing/charging of Air Tank.
- ASME construction tank.
- May also be paired with Control Box for Legacy Tank if preferred.



Replacement Parts List

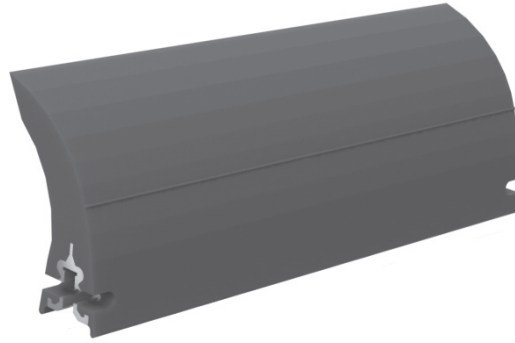
DESCRIPTION	ORDERING NUMBER	ITEM CODE	WT. LBS.
10' (3m) Hose Kit	PATHK	78794	1.5
Upgrade Fitting Kit (fill valve, push-on fittings, plugs)	AWTRK	79319	0.4

Product Ordering Information

MegaShear™
Replacement Blades

Standard MegaShear™ Blades

BLADE WIDTH		ORDERING NUMBER	ITEM CODE	WT. LBS.
in.	mm			
18	450	MRB18	77531	28.9
24	600	MRB24	77532	38.5
30	750	MRB30	77533	48.1
36	900	MRB36	77534	57.8
42	1050	MRB42	77535	67.4
48	1200	MRB48	77536	77.0
54	1350	MRB54	77537	86.6
60	1500	MRB60	77538	96.3
66	1650	MRB66	77539	105.9
72	1800	MRB72	77540	115.5
78	1950	MRB78	77541	125.1
84	2100	MRB84	77542	134.7
90	2250	MRB90	77543	144.3



Other blade sizes available upon request.
Lead time: 1 working day

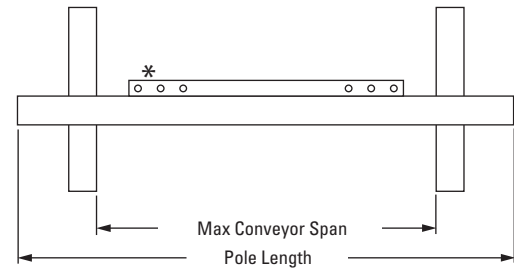
Blade Width Selection

BELT WIDTH		BELT WIDTH - 6" (150mm)		BELT WIDTH - 12" (300mm)		BELT WIDTH - 18" (450mm)		BELT WIDTH - 24" (600mm)	
in.	mm	in.	mm	in.	mm	in.	mm	in.	mm
24	600	18	450	N/A	N/A	N/A	N/A	N/A	N/A
30	750	24	600	18	450	N/A	N/A	N/A	N/A
36	900	30	750	24	600	18	450	N/A	N/A
42	1050	36	900	30	750	24	600	18	450
48	1200	42	1050	36	900	30	750	24	600
54	1350	48	1200	42	1050	36	900	30	750
60	1500	54	1350	48	1200	42	1050	36	900
72	1800	66	1650	60	1500	54	1350	48	1200
84	2100	78	1950	72	1800	66	1650	60	1500
96	2400	90	2250	84	2100	78	1950	72	1800

Specifications & Guidelines

Pole Length Specifications*

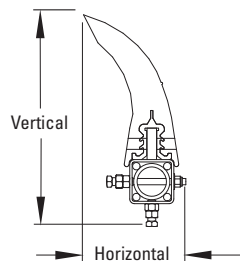
CLEANER SIZE		MAX OVERALL POLE LENGTH		CENTER POLE LENGTH		MAXIMUM CONVEYOR SPAN	
in.	mm	in.	mm	in.	mm	in.	mm
24	600	78	1950	24	600	66	1650
30	750	84	2100	30	750	72	1800
36	900	90	2250	36	900	78	1950
42	1050	96	2400	42	1050	84	2100
48	1200	102	2550	48	1200	90	2250
54	1350	108	2700	54	1350	96	2400
60	1500	114	2850	60	1500	102	2550
72	1800	126	3150	72	1800	114	2850
84	2100	138	3450	84	2100	126	3150
96	2400	150	3750	96	2400	138	3450



* For special extra long pole length requirements a Pole Extender Kit (#76024) is available that provides 30" (750 mm) of extended pole length. Pole Diameter – 2-7/8" (73 mm). (p. 138)

Clearance Guidelines for Installation

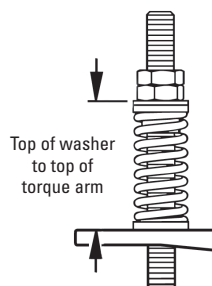
HORIZONTAL CLEARANCE REQUIRED		VERTICAL CLEARANCE REQUIRED	
in.	mm	in.	mm
8	200	19.5	488



PST Spring Length Chart

Blade Width		White Springs		Silver Springs		Red Springs	
in.	mm	in.	mm	in.	mm	in.	mm
18	450	5 5/8	143	N/A	N/A	N/A	N/A
24	600	5 3/8	137	6 1/4	159	N/A	N/A
30	750	5	127	6 1/8	156	6 1/4	159
36	900	4 3/4	121	6	152	6 1/4	159
42	1050	N/A	N/A	6	152	6 1/8	156
48	1200	N/A	N/A	5 7/8	149	6 1/8	156
54	1350	N/A	N/A	5 3/4	146	6	152
60	1500	N/A	N/A	5 5/8	143	6	152
66	1650	N/A	N/A	5 5/8	143	5 7/8	149
72	1800	N/A	N/A	5 1/2	140	5 7/8	149
78	1950	N/A	N/A	5 3/8	137	5 3/4	146
84	2100	N/A	N/A	N/A	N/A	5 3/4	146
90	2250	N/A	N/A	N/A	N/A	5 5/8	143
96	2400	N/A	N/A	N/A	N/A	5 5/8	143
102	2550	N/A	N/A	N/A	N/A	5 1/2	140
108	2700	N/A	N/A	N/A	N/A	5 1/2	140
114	2850	N/A	N/A	N/A	N/A	5 3/8	137

Shading indicates preferred spring option.



PAT Pressure Chart

Blade Width		Pressure	
in.	mm	psi	kPa
18	450	8	55
24	600	10	69
32	800	13	90
36	900	15	103
42	1050	18	124
48	1200	20	138
54	1350	23	159
60	1500	25	172
66	1650	28	193
72	1800	31	214
78	1950	33	228
84	2100	36	248
90	2250	38	262
96	2400	41	283
102	2550	43	296
108	2700	46	317
114	2850	48	331

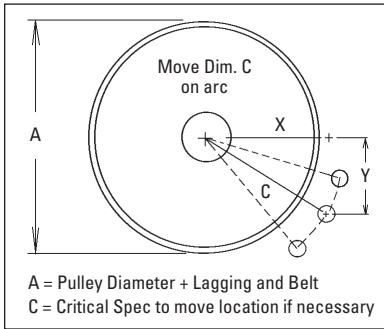
Specifications:

- Maximum Belt Speed 1500 FPM (7.5 m/sec)
- Temperature Rating -30 to 180°F (-35 to 82°C)
- Minimum Pulley Diameter.....20" (500 mm)
- Blade Height..... 12.25" (306 mm)
- Usable Blade Wear Length.....8" (200 mm)
- Blade Material Polyurethane 83 durometer (proprietary blend for abrasion resistance and long wear)
- Available for Belt Widths 24 to 96" (600 to 2400 mm) Other sizes available upon request.
- CEMA Cleaner Rating Class 5

Specifications & Guidelines

MHP
Heavy-Duty Precleaner

Pole Location Specs



Pole Location Chart

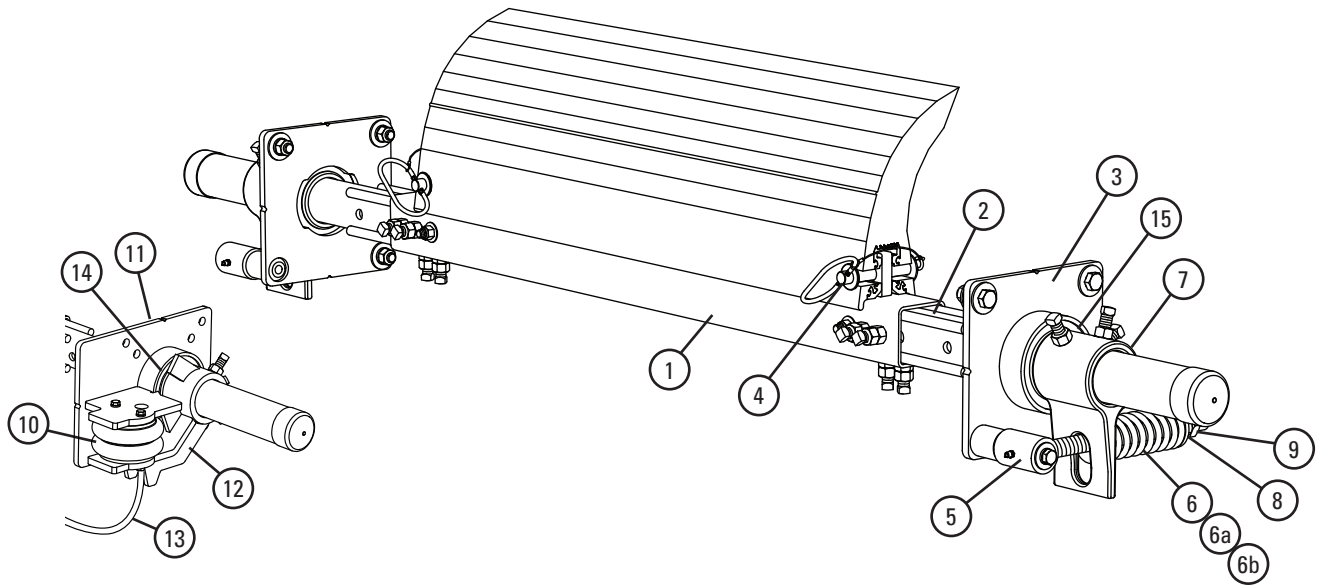
A		X		Y		C	
in.	mm	in.	mm	in.	mm	in.	mm
20	500	10	254	14 3/8	365	17 1/2	445
21	525	10 1/2	267	14 3/8	365	17 3/4	451
22	550	11	279	14 3/8	365	18 1/8	460
23	575	11 1/2	292	14 3/8	365	18 3/8	467
24	600	12	305	14 3/8	365	18 3/4	476
25	625	12 1/2	318	14 3/8	365	19	483
26	650	13	330	14 3/8	365	19 3/8	492
27	675	13 1/2	343	14 3/8	365	19 3/4	502
28	700	14	356	14 3/8	365	20 1/8	511
29	725	14 1/2	368	14 3/8	365	20 3/8	518
30	750	15	381	14 3/8	365	20 3/4	527
31	775	15 1/2	394	14 3/8	365	21 1/8	537
32	800	16	406	14 3/8	365	21 1/2	546
33	825	16 1/2	419	14 3/8	365	21 7/8	556
34	850	17	432	14 3/8	365	22 1/4	565
35	875	17 1/2	445	14 3/8	365	22 5/8	575
36	900	18	457	14 3/8	365	23	584
37	925	18 1/2	470	14 3/8	365	23 3/8	594
38	950	19	483	14 3/8	365	23 7/8	606
39	975	19 1/2	495	14 3/8	365	24 1/4	616
40	1000	20	508	14 3/8	365	24 5/8	625
41	1025	20 1/2	521	14 3/8	365	25	635
42	1050	21	533	14 3/8	365	25 1/2	648
43	1075	21 1/2	546	14 3/8	365	25 7/8	657
44	1100	22	559	14 3/8	365	26 1/2	673
45	1125	22 1/2	572	14 3/8	365	27	686
46	1150	23	584	14 3/8	365	27 1/2	699
47	1175	23 1/2	597	14 3/8	365	28	711
48	1200	24	610	14 3/8	365	28 1/2	724
49	1225	24 5/8	625	14 3/8	365	29	737
50	1250	25 1/8	638	14 3/8	365	29 1/2	749
51	1275	25 3/4	654	14 3/8	365	30	762
52	1300	26 3/8	670	14 3/8	365	30 1/2	775
53	1325	26 7/8	683	14 3/8	365	31	787
54	1350	27 1/2	699	14 3/8	365	31 1/2	800

Pole Location Chart

A		X		Y		C	
in.	mm	in.	mm	in.	mm	in.	mm
55	1375	28 1/8	714	14 3/8	365	32	813
56	1400	28 5/8	727	14 3/8	365	32 1/2	826
57	1425	29 1/8	740	14 3/8	365	33	838
58	1450	29 3/4	756	14 3/8	365	33 1/2	851
59	1475	30 1/4	768	14 3/8	365	34	864
60	1500	30 7/8	784	14 3/8	365	34 1/2	876
61	1525	31 3/8	797	14 3/8	365	35	889
62	1550	31 7/8	810	14 3/8	365	35 1/2	902
63	1575	32 1/2	826	14 3/8	365	36	914
64	1600	33	838	14 3/8	365	36 1/2	927
65	1625	33 1/2	851	14 3/8	365	37	940
66	1650	34 1/8	867	14 3/8	365	37 1/2	953
67	1675	34 5/8	879	14 3/8	365	38	965
68	1700	35 1/8	892	14 3/8	365	38 1/2	978
69	1725	35 3/4	908	14 3/8	365	39	991
70	1750	36 1/4	921	14 3/8	365	39 1/2	1003
71	1775	36 3/4	933	14 3/8	365	40	1016
72	1800	37 3/8	949	14 3/8	365	40 1/2	1029
73	1825	37 7/8	962	14 3/8	365	41	1041
74	1850	38 3/8	975	14 3/8	365	41 1/2	1054
75	1875	38 7/8	987	14 3/8	365	42	1067
76	1900	39 1/2	1003	14 3/8	365	42 1/2	1080
77	1925	40	1016	14 3/8	365	43	1092
78	1950	40 1/2	1029	14 3/8	365	43 1/2	1105
79	1975	41	1041	14 3/8	365	44	1118
80	2000	41 5/8	1057	14 3/8	365	44 1/2	1130
81	2025	42 1/8	1070	14 3/8	365	45	1143
82	2050	42 5/8	1083	14 3/8	365	45 1/2	1156
83	2075	43 1/8	1095	14 3/8	365	46	1168
84	2100	43 3/4	1111	14 3/8	365	46 1/2	1181

Replacement Parts List

MHP
Heavy-Duty Precleaner



Replacement Parts

REF	DESCRIPTION	ORDERING NUMBER	ITEM CODE	WT. LBS.
1	24" (600mm) Center Pole	MMPCP24	76458	34.4
	30" (750mm) Center Pole	MMPCP30	76459	43.0
	36" (900mm) Center Pole	MMPCP36	76460	51.6
	42" (1050mm) Center Pole	MMPCP42	76461	60.1
	48" (1200mm) Center Pole	MMPCP48	76462	68.7
	54" (1350mm) Center Pole	MMPCP54	76463	77.3
	60" (1500mm) Center Pole	MMPCP60	76464	85.9
	72" (1800mm) Center Pole	MMPCP72	76465	103.1
	84" (2100mm) Center Pole	MMPCP84	76808	120.3
	96" (2400mm) Center Pole	MMPCP96	77722	137.5
2	Extender Pole Kit (2 ea.)	MHP-EP	76392	54.0
3	Mounting Plate Kit* (2 ea.)	MHPMPK	77727	44.4
4	Blade Pin Kit* (1 ea.)	MHPBPK	77728	0.8
5	Torque Pivot Kit* (1 ea.)	PTPK	75897	7.0
6	Tension Spring – White (1 ea.)	PSTS-W	75898	1.7
6a	Tension Spring – Silver (1 ea.)	PSTS-S	75899	3.0
6b	Tension Spring – Red (1 ea.)	PSTS-R	77726	4.3
7	Torque Arm Kit* (1 ea.)	PSTA	75896	11.4
8	Bushing Kit (2 ea.)	QMTBK-W	76098	0.2
9	Jam Nut Kit PST Tensioner	JNK-D	79894	0.3
-	PST Spring Tensioner* – White (incl. (2) ea. items 3, 5, 6, 7, & 8)	PST2-W	77723	86.1
-	PST Spring Tensioner* – Silver (incl. (2) ea. items 3, 5, 6a, 7, & 8)	PST2-S	77724	87.4
-	PST Spring Tensioner* – Red (incl. (2) ea. items 3, 5, 6b, 7 & 8)	PST2-R	77725	88.8

*Hardware Included
Lead time: 1 working day

PAT Replacement Parts

REF	DESCRIPTION	ORDERING NUMBER	ITEM CODE	WT. LBS.
10	Air/Water Bag (1 ea.)	AWTB	75905	3.8
11	Mounting Base (1 ea.)	AWTMB	75906	22.9
12	Torque Arm* (1 ea.)	AWTA	75907	11.6
13	Hose Kit (50' of hose & (6) hose clamps)	AWTHK	75909	6.7
14	Pole Bearing Assy (for cleaners shipped after 4/2016)	AWTPBA	90000	2.3
-	AWT Air/Water Tensioner (incl. (2) ea. items 10, 11, 12 & (1) ea. item 13)	AWTNCB	76069	75.2

*Hardware Included
Lead time: 1 working day

Spring Tensioner Selection Chart

CLEANER BLADE WIDTH	77723 PST2-W	77724 PST2-S	77725 PST2-R
MegaShear™ 18–42" (450–1050mm)	X		
MegaShear™ 48–78" (1200–1950mm)		X	
MegaShear™ 84–114" (2100–2850mm)			X

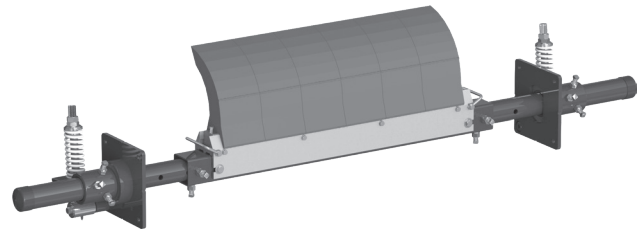
Product Ordering Information

MHCP Heavy-Duty Cartridge Precleaner

With Spring Tensioner (PST)

BELT WIDTH		BLADE COVERAGE		ORDERING NUMBER	ITEM CODE	WT. LBS.
in.	mm	in.	mm			
24	600	18	450	MHCP-24S	75929	192.1
30	750	24	600	MHCP-30S	75930	207.2
36	900	30	750	MHCP-36S	75931	222.4
42	1050	36	900	MHCP-42S	75932	237.4
48	1200	42	1050	MHCP-48S	75933	252.5
54	1350	48	1200	MHCP-54S	75934	267.6
60	1500	54	1350	MHCP-60S	75935	282.7
72	1800	66	1650	MHCP-72S	75936	312.8
84	2100	78	1950	MHCP-84S	76800	364.9
96	2400	90	2250	MHCP-96S	78955	417.0

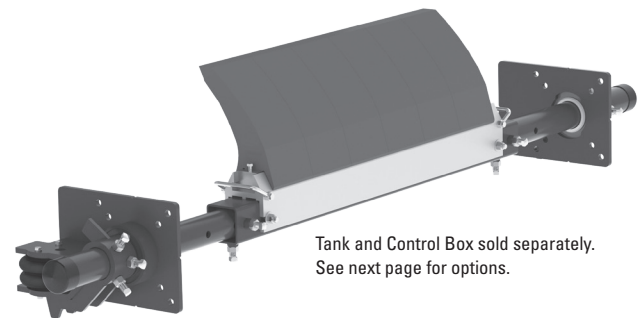
Lead time: 1 working day



With Pneumatic Air Tensioner (PAT)

BELT WIDTH		BLADE COVERAGE		ORDERING NUMBER	ITEM CODE	WT. LBS.
in.	mm	in.	mm			
24	600	18	450	MHCP-24P	78723	192.2
30	750	24	600	MHCP-30P	78724	207.3
36	900	30	750	MHCP-36P	78725	222.4
42	1050	36	900	MHCP-42P	78726	237.4
48	1200	42	1050	MHCP-48P	78727	252.5
54	1350	48	1200	MHCP-54P	78728	267.6
60	1500	54	1350	MHCP-60P	78729	282.7
72	1800	66	1650	MHCP-72P	78730	312.8
84	2100	78	1950	MHCP-84P	78731	364.9
96	2400	90	2250	MHCP-96P	78959	417.0
108	2700	102	2550	MHCP-108P	90169	469.1
120	3000	114	2850	MHCP-120P	90170	521.3

Lead time: 1 working day



Tank and Control Box sold separately.
See next page for options.

Optional Mounting Kits

DESCRIPTION	ORDERING NUMBER	ITEM CODE	WT. LBS.
Optional Mounting Bar Kit*	MMBK	75830	19.5
Mounting Plate Kit* (2 plates)	MMPK	76537	140.0

*Hardware Included

Lead time: 1 working day

Product Notes:

- Heavy-duty design with massive SuperShear™ blades for constant cleaning power on abusive beltlines.
- Blade width equals belt width minus 6" (150 mm). Can be adjusted to belt's material path.
- Pole Length: Belt width plus 58" (1450 mm). For longer requirements see Installation Accessories - Pole Extender Kit on page 138.
- Tensioner Options: 1) PST Spring Tensioner for self-adjusting tensioning with easy retensioning adjustments; 2) Pneumatic Air Tensioner used for constant, automatic tension throughout the life of the blades. Can be used with site available air lines or with the add-on air tank.
- To make cleaner installation easier and quicker, see Optional Mounting Kits on page 138.

Product Ordering Information

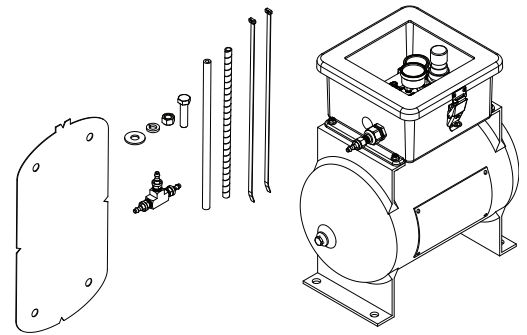
Line Connections for Pneumatic Air Tensioner

Control Box/Tank Combo Units for Closed System

DESCRIPTION	ORDERING NUMBER	ITEM CODE	WT. LBS.
Control Box/Tank Combo Unit for Precleaner - 60 PSI	PAT-C-60	108230	64.0
Control Box/Tank Combo Unit for Secondary Cleaner - 100 PSI	PAT-C-100	108231	64.0

Product Notes:

- For use with cleaners with new PAT systems.
- 150# pop-off valve for safe pressurizing/charging of Air Tank.
- ASME construction tank.
- Fully sealed enclosure includes all critical items - regulator, tank gauge, downstream gauge, schrader valve, in-line filter, downstream valve.

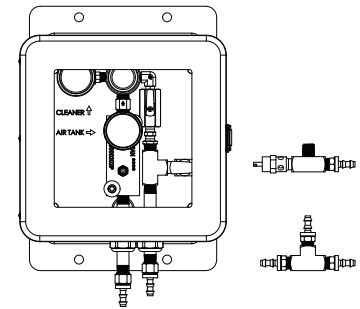


Control Box for Legacy Tank

DESCRIPTION	ORDERING NUMBER	ITEM CODE	WT. LBS.
Control Box Kit for Precleaner - 60 PSI	PACB2-60	108228	13.6
Control Box Kit for Secondary Cleaner - 100 PSI	PACB2-100	108229	13.6

Product Notes:

- For use with Legacy PAT1/PAT2 tank systems ordered prior to January 2024.
- 150# pop-off valve for safe pressurizing/charging of Air Tank.
- May also be paired with Air Tank for Legacy Control Box if preferred.

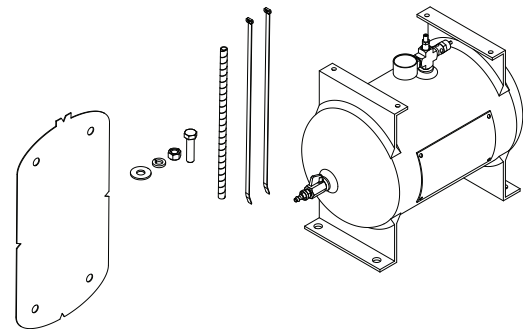


Air Tank for Legacy Control Box

DESCRIPTION	ORDERING NUMBER	ITEM CODE	WT. LBS.
ASME Air Tank Kit	PAT-N	108232	47.3

Product Notes:

- For use with Legacy PACB60/PACB100 control boxes ordered prior to January 2024.
- 150# pop-off valve for safe pressurizing/charging of Air Tank.
- ASME construction tank.
- May also be paired with Control Box for Legacy Tank if preferred.



Replacement Parts List

DESCRIPTION	ORDERING NUMBER	ITEM CODE	WT. LBS.
10' (3m) Hose Kit	PATHK	78794	1.5
Upgrade Fitting Kit (fill valve, push-on fittings, plugs)	AWTRK	79319	0.4

Optional Assemblies, Tensioners & Kits

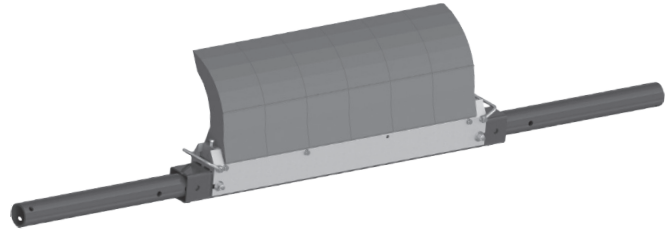
MHCP Heavy-Duty Cartridge Precleaner

Blade/Pole Assemblies

(Includes blades, cartridge, center pole, and 2 extender poles)

BELT WIDTH		ORDERING NUMBER	ITEM CODE	WT. LBS.
in.	mm			
24	600	MHCP-BPA24	75945	106.0
30	750	MHCP-BPA30	75946	121.1
36	900	MHCP-BPA36	75947	136.2
42	1050	MHCP-BPA42	75948	151.2
48	1200	MHCP-BPA48	75949	166.3
54	1350	MHCP-BPA54	75950	181.4
60	1500	MHCP-BPA60	75951	196.5
72	1800	MHCP-BPA72	75952	226.6
84	2100	MHCP-BPA84	76809	264.4
96	2400	MHCP-BPA96	78956	302.2

Lead time: 1 working day

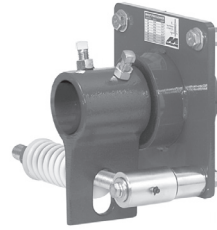


Tensioners

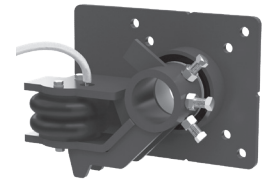
(Includes tensioners for both pole ends)

DESCRIPTION	ORDERING NUMBER	ITEM CODE	WT. LBS.
PST Spring Tensioner – White for belts 24–48" (600–1200mm)	PST2-W	77723	86.1
PST Spring Tensioner – Silver for belts 54–84" (1350–2100mm)	PST2-S	77724	86.2
PST Spring Tensioner – Red for belts 96" (2400mm)	PST2-R	77725	86.2
AWT Air/Water Tensioner	AWTNCB	76069	75.2

Lead time: 1 working day



PST Spring Tensioner



PAT Tensioner

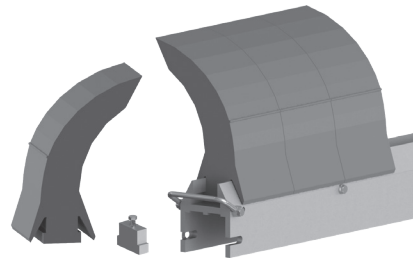
Blade Cartridge Kits

(Includes blades, cartridge, and mounting bolts)

BELT WIDTH		ORDERING NUMBER	ITEM CODE	WT. LBS.
in.	mm			
24	600	MHCP-BCK24	75953	33.0
30	750	MHCP-BCK30	75954	44.0
36	900	MHCP-BCK36	75955	55.0
42	1050	MHCP-BCK42	75956	66.0
48	1200	MHCP-BCK48	75957	77.0
54	1350	MHCP-BCK54	75958	88.0
60	1500	MHCP-BCK60	75959	99.0
72	1800	MHCP-BCK72	75960	121.0
84	2100	MHCP-BCK84	76810	141.2
96	2400	MHCP-BCK96	78957	161.4

NOTE: For easy blade changeout, remove cartridge with worn blades and replace with new blade cartridge kit. New blades can then be installed in the old cartridge for the next changeout.

Lead time: 1 working day



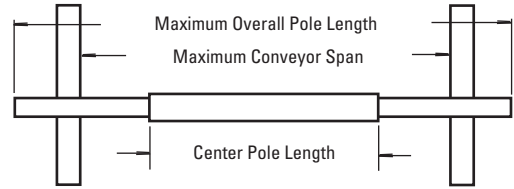
Blade Cartridge Kit

Specifications & Guidelines

Telescoping Pole Length Specifications

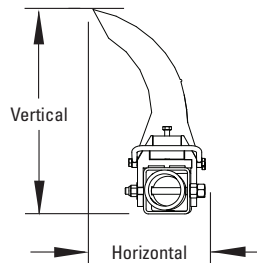
CLEANER SIZE		MAX OVERALL POLE LENGTH		CENTER POLE LENGTH		MAXIMUM CONVEYOR SPAN	
in.	mm	in.	mm	in.	mm	in.	mm
24	600	82	2050	28	700	66	1650
30	750	88	2200	34	850	72	1800
36	900	94	2350	40	1000	78	1950
42	1050	100	2500	46	1150	84	2100
48	1200	106	2650	52	1300	90	2250
54	1350	112	2800	58	1450	96	2400
60	1500	118	2950	64	1600	102	2550
72	1800	130	3250	76	1900	114	2850
84	2100	142	3550	88	2200	126	3150
96	2400	154	3850	100	2500	138	3450

Pole Diameter - 2-7/8" (73 mm)

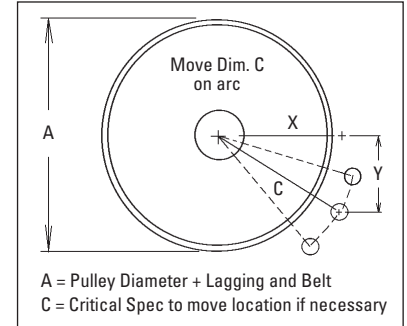


Clearance Guidelines for Installation

HORIZONTAL CLEARANCE REQUIRED		VERTICAL CLEARANCE REQUIRED	
in.	mm	in.	mm
7	175	19	475



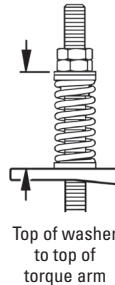
Pole Location Specs



PST Spring Length Chart

Blade Width		No. Blades	White Springs		Silver Springs		Red Springs	
in.	mm		in.	mm	in.	mm	in.	mm
18	450	3	5 5/8	143	N/A	N/A	N/A	N/A
24	600	4	5 3/8	137	6 1/4	159	N/A	N/A
30	750	5	5	127	6 1/8	156	6 1/4	159
36	900	6	4 3/4	121	6	152	6 1/4	159
42	1050	7	N/A	N/A	6	152	6 1/8	156
48	1200	8	N/A	N/A	5 7/8	149	6 1/8	156
54	1350	9	N/A	N/A	5 3/4	146	6	152
60	1500	10	N/A	N/A	5 5/8	143	6	152
66	1650	11	N/A	N/A	5 5/8	143	5 7/8	149
72	1800	12	N/A	N/A	5 1/2	140	5 7/8	149
78	1950	13	N/A	N/A	5 3/8	137	5 3/4	146
84	2100	14	N/A	N/A	N/A	N/A	5 3/4	146
90	2250	15	N/A	N/A	N/A	N/A	5 5/8	143
96	2400	16	N/A	N/A	N/A	N/A	5 5/8	143
102	2550	17	N/A	N/A	N/A	N/A	5 1/2	140
108	2700	18	N/A	N/A	N/A	N/A	5 1/2	140
114	2850	19	N/A	N/A	N/A	N/A	5 3/8	137

Shading indicates preferred spring option.



PAT Pressure Chart

Blade Width		No. Blades	Pressure	
in.	mm		psi	kPa
18	450	3	8	55
24	600	4	10	69
30	750	5	13	90
36	900	6	15	103
42	1050	7	18	124
48	1200	8	20	138
54	1350	9	23	159
60	1500	10	25	172
66	1650	11	28	193
72	1800	12	31	214
78	1950	13	33	228
84	2100	14	36	248
90	2250	15	38	262
96	2400	16	41	283
102	2550	17	43	296
108	2700	18	46	317
114	2850	19	48	331

*PSI setting is based on number of blades, not belt width.

Pole Location Chart

	A		X		Y		C	
in.	mm	in.	mm	in.	mm	in.	mm	
20	500	10	254	14 3/8	365	17 1/2	445	
21	525	10 1/2	267	14 3/8	365	17 3/4	451	
22	550	11	279	14 3/8	365	18 1/8	460	
23	575	11 1/2	292	14 3/8	365	18 3/8	467	
24	600	12	305	14 3/8	365	18 3/4	476	
25	625	12 1/2	318	14 3/8	365	19	483	
26	650	13	330	14 3/8	365	19 3/8	492	
27	675	13 1/2	343	14 3/8	365	19 3/4	502	
28	700	14	356	14 3/8	365	20 1/8	511	
29	725	14 1/2	368	14 3/8	365	20 3/8	518	
30	750	15	381	14 3/8	365	20 3/4	527	
31	775	15 1/2	394	14 3/8	365	21 1/8	537	
32	800	16	406	14 3/8	365	21 1/2	546	
33	825	16 1/2	419	14 3/8	365	21 7/8	556	
34	850	17	432	14 3/8	365	22 1/4	565	
35	875	17 1/2	445	14 3/8	365	22 5/8	575	
36	900	18	457	14 3/8	365	23	584	
37	925	18 1/2	470	14 3/8	365	23 3/8	594	
38	950	19	483	14 3/8	365	23 7/8	606	
39	975	19 1/2	495	14 3/8	365	24 1/4	616	
40	1000	20	508	14 3/8	365	24 5/8	625	
41	1025	20 1/2	521	14 3/8	365	25	635	
42	1050	21	533	14 3/8	365	25 1/2	648	
43	1075	21 1/2	546	14 3/8	365	25 7/8	657	
44	1100	22	565	14 3/8	365	26 1/2	673	
45	1125	22 1/2	581	14 3/8	365	27	686	
46	1150	23	597	14 3/8	365	27 1/2	699	
47	1175	23 1/2	610	14 3/8	365	28	711	
48	1200	24	625	14 3/8	365	28 1/2	724	

Specifications:

- Maximum Belt Speed 1200 FPM (6 m/s)
- Temperature Rating -30 to 180°F (-35 to 82°C)
- Minimum Pulley Diameter.....20" (500 mm)
- Blade Height.....14" (350 mm)
- Usable Blade Wear Length.....8" (200 mm)
- Blade Material Polyurethane (proprietary blend for abrasion resistance and long wear)
- Available for Belt Widths24 to 96" (600 to 2400 mm) Other sizes available upon request.
- CEMA Cleaner Rating Class 5

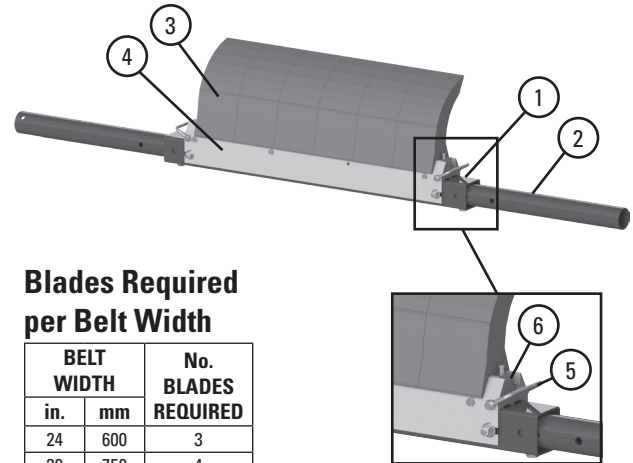
Replacement Parts List

MHCP Heavy-Duty Cartridge Precleaner

Replacement Parts

REF	DESCRIPTION	ORDERING NUMBER	ITEM CODE	WT. LBS.
1	24" (600mm) Center Pole *	MHP-CP24	75961	19.0
	30" (750mm) Center Pole *	MHP-CP30	75962	23.1
	36" (900mm) Center Pole *	MHP-CP36	75963	27.2
	42" (1050mm) Center Pole *	MHP-CP42	75964	31.2
	48" (1200mm) Center Pole *	MHP-CP48	75965	35.3
	54" (1350mm) Center Pole *	MHP-CP54	75966	39.4
	60" (1500mm) Center Pole *	MHP-CP60	75967	43.5
	72" (1800mm) Center Pole *	MHP-CP72	75968	51.6
	84" (2100mm) Center Pole *	MHP-CP84	76811	60.2
	96" (2400mm) Center Pole *	MHP-CP96	78958	68.8
2	MHCP Extender Poles (2 ea.)	MHP-EP	76392	54.0
3	SuperShear™ Blade	SSRB	75978	6.6
4	24" (600mm) 2-Piece Blade Cartridge *	MHCP-2BC24	76638	13.2
	30" (750mm) 2-Piece Blade Cartridge *	MHCP-2BC30	76639	17.6
	36" (900mm) 2-Piece Blade Cartridge *	MHCP-2BC36	76640	22.0
	42" (1050mm) 2-Piece Blade Cartridge *	MHCP-2BC42	76641	26.4
	48" (1200mm) 2-Piece Blade Cartridge *	MHCP-2BC48	76642	30.8
	54" (1350mm) 2-Piece Blade Cartridge *	MHCP-2BC54	76643	35.2
	60" (1500mm) 2-Piece Blade Cartridge *	MHCP-2BC60	76644	39.6
	72" (1800mm) 2-Piece Blade Cartridge *	MHCP-2BC72	76645	48.4
	84" (2100mm) 2-Piece Blade Cartridge *	MHCP-2BC84	76812	56.5
	96" (2400mm) 2-Piece Blade Cartridge *	MHCP-2BC96	78986	64.6
5	MHCP Cartridge Handle *	MHCP-CH	76393	0.4
6	MHCP Cartridge Blade Stop *	MHCP-BS	76394	0.4

*Hardware Included. Lead time: 1 working day



Blades Required per Belt Width

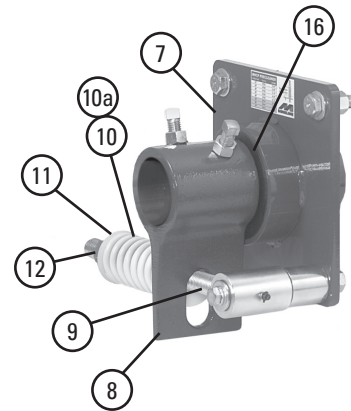
BELT WIDTH	No. BLADES REQUIRED	
	in.	mm
24	600	3
30	750	4
36	900	5
42	1050	6
48	1200	7
54	1350	8
60	1500	9
72	1800	11
84	2100	13
96	2400	15

Blades and cartridges can be purchased separately (see chart at left) or preassembled as a Blade Cartridge Kit (58).

PST Tensioner Replacement Parts

REF	DESCRIPTION	ORDERING NUMBER	ITEM CODE	WT. LBS.
7	Mounting Plate Kit * (2 ea.)	MHPMPK	77727	44.4
8	Torque Arm * (1 ea.)	PSTA	75896	11.4
9	Torque Pivot Kit (1 ea.) (no spring)	PTPK	75897	7.0
10	Tension Spring – White (1 ea.) for belts 24–48" (600–1200mm)	PSTS-W	75898	1.7
10a	Tension Spring – Silver (1 ea.) for belts 54–84" (1350–2100mm)	PSTS-S	75899	3.0
10b	Tension Spring – Red (1 ea.) for belts 96" (2400mm)	PSTS-R	77726	3.0
11	Bushing Kit (2 ea.) (for White, Silver, & Red Tensioners)	QMTBK-W	76098	0.2
12	Jam Nut Kit PST Tensioner	JNK-D	79894	0.3
-	PST Spring Tensioner* – White for belts 24–48" (600–1200mm) (incl. (2) ea. items 7, 8, 9, 10 & 11)	PST2-W	77723	86.1
-	PST Spring Tensioner* – Silver for belts 54–84" (1350–2100mm) (incl. (2) ea. items 7, 8, 9, 10a & 11)	PST2-S	77724	86.2
-	PST Spring Tensioner* – Red for belts 96" (2400mm) (incl. (2) ea. items 7, 8, 9, 10b & 11)	PST2-R	77725	86.2

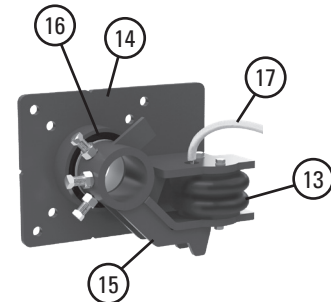
*Hardware Included. Lead time: 1 working day



PAT Tensioner Replacement Parts

REF	DESCRIPTION	ORDERING NUMBER	ITEM CODE	WT. LBS.
13	Air/Water Bag (1 ea.)	AWTB	75905	3.8
14	Mounting Base (1 ea.)	AWTMB	75906	22.9
15	Torque Arm * (1 ea.)	AWTA	75907	11.6
16	Pole Bearing Assy (for cleaners shipped after 4/2016)	AWTPBA	90000	2.3
17	Hose Kit (50' of hose and 6 hose clamps)	AWTHK	75909	6.7
-	AWT Air/Water Tensioner (incl. (2) ea. items 12, 13, 14 & (1) ea. item 15)	AWTNCB	76069	75.2

*Hardware Included. Lead time: 1 working day



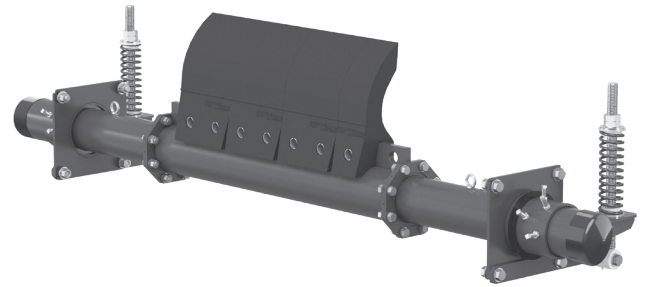
Product Ordering Information

MXP
Extreme-Duty Precleaner

Belt Width Minus 6" (150 mm)

BELT WIDTH		BLADE COVERAGE		ORDERING NUMBER	ITEM CODE	WT. LBS.
in.	mm	in.	mm			
42	1050	36	900	MXP-642	90393	659.0
48	1200	42	1050	MXP-648	90394	700.0
54	1350	48	1200	MXP-654	90395	742.0
60	1500	54	1350	MXP-660	90396	783.0
72	1800	66	1650	MXP-672	90397	869.0
84	2100	78	1950	MXP-684	90398	953.0
96	2400	90	2250	MXP-696	90399	1036.0
108	2700	102	2550	MXP-6108	90642	1120.0
120	3000	114	2850	MXP-6120	90400	1207.0

Lead time: 2 weeks



Belt Width Minus 12" (300 mm)

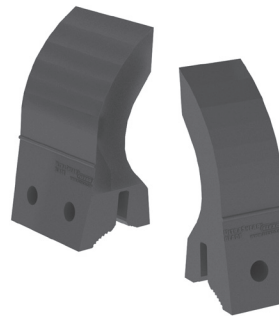
BELT WIDTH		BLADE COVERAGE		ORDERING NUMBER	ITEM CODE	WT. LBS.
in.	mm	in.	mm			
42	1050	30	750	MXP-1242	90581	636.0
48	1200	36	900	MXP-1248	90582	679.0
54	1350	42	1050	MXP-1254	90583	720.0
60	1500	48	1200	MXP-1260	90584	763.0
72	1800	60	1500	MXP-1272	90585	849.0
84	2100	72	1800	MXP-1284	90586	933.0
96	2400	84	2100	MXP-1296	90587	1016.0
108	2700	96	2400	MXP-12108	90643	1100.0
120	3000	108	2700	MXP-12120	90588	1187.0

Lead time: 2 weeks

Replacement UltraShear™ Blades

BLADE WIDTH		ORDERING NUMBER	ITEM CODE	WT. LBS.
in.	mm			
6	150	USB6	90410	20.0
12	300	USB12	90409	40.0

Lead time: 1 working day



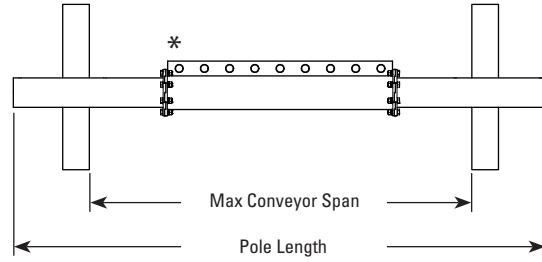
Product Notes:

- Heavy-duty design with massive UltraShear™ blades for constant cleaning power on abusive beltlines.
- Blade width options for belt width minus 6" (150 mm) or 12" (300 mm). Can be adjusted to belt's material path.
- Pole Length: Belt width plus 79" (2000 mm).
- Tensioner: XDST Spring Tensioner
- To make cleaner installation easier and quicker, see Optional Mounting Kits on page 138.

Specifications & Guidelines

Pole Length Specifications*

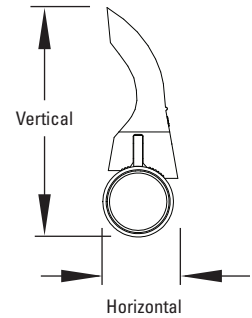
CLEANER SIZE		MAX OVERALL POLE LENGTH		CENTER POLE LENGTH		MAXIMUM CONVEYOR SPAN	
in.	mm	in.	mm	in.	mm	in.	mm
42	1050	121	3050	48	1200	105	2667
48	1200	127	3200	54	1350	111	2819
54	1350	133	3350	60	1500	117	2972
60	1500	139	3500	66	1650	123	3124
72	1800	151	3800	78	1950	135	3429
84	2100	163	4100	90	2250	147	3734
96	2400	175	4400	102	2550	159	4039
108	2700	187	4700	114	2850	171	4343
120	3000	199	5000	126	3150	183	4648



* 6" and 12" (150 mm and 300 mm) blade segments can be configured to match material path.

Clearance Guidelines for Installation

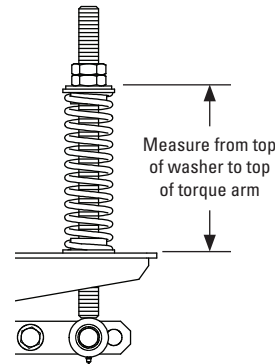
HORIZONTAL CLEARANCE REQUIRED		VERTICAL CLEARANCE REQUIRED	
in.	mm	in.	mm
12	300	27 1/2	700



XDST Spring Length Chart

Belt Width		Blade Coverage		No. of Blades	Purple Springs		White Springs		Black Springs	
in.	mm	in.	mm		in.	mm	in.	mm	in.	mm
BELT WIDTH MINUS 6" (150mm)										
42	1050	36	900	3	10	255	N/A	N/A	N/A	N/A
48	1200	42	1050	3.5	9 1/2	240	10 7/8	280	N/A	N/A
54	1350	48	1200	4	9	230	10 5/8	270	N/A	N/A
60	1500	54	1350	4.5	8 1/2	215	10 3/8	265	N/A	N/A
72	1800	66	1650	5.5	7 5/8	195	9 7/8	250	N/A	N/A
84	2100	78	1950	6.5	6 3/4	170	9 3/8	240	10 3/4	270
96	2400	90	2250	7.5	5 3/4	145	8 7/8	225	10 3/8	265
108	2700	102	2550	8.5	N/A	N/A	8 3/8	210	10 1/8	255
120	3000	114	2850	9.5	N/A	N/A	7 7/8	200	9 3/4	250
BELT WIDTH MINUS 12" (300mm)										
42	1050	30	750	2.5	10 3/8	265	N/A	N/A	N/A	N/A
48	1200	36	900	3	10	255	11 1/4	285	N/A	N/A
54	1350	42	1050	3.5	9 1/2	240	10 7/8	280	N/A	N/A
60	1500	48	1200	4	9	230	10 5/8	270	N/A	N/A
72	1800	60	1500	5	8 1/8	205	10 1/8	260	N/A	N/A
84	2100	72	1800	6	7 1/8	180	9 5/8	245	N/A	N/A
96	2400	84	2100	7	6 1/4	160	9 1/8	230	10 1/2	270
108	2700	96	2400	8	N/A	N/A	8 5/8	220	10 1/4	260
120	3000	108	2700	9	N/A	N/A	8 1/8	205	9 7/8	250

Shading indicates preferred spring option.

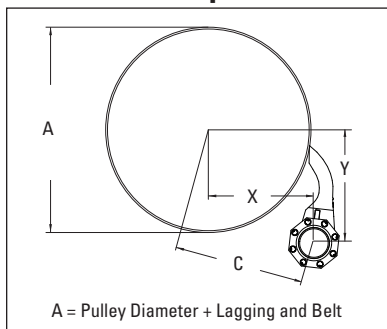


Specifications:

- Maximum Belt Speed2000 FPM (10 m/sec)
- Temperature Rating-30 to 275°F (-35 to 135°C)
- Minimum Pulley Diameter.....48" (1200 mm)
- Blade Height.....19-3/8" (490 mm)
- Usable Blade Wear Length.....11-1/2" (290 mm)
- Blade MaterialPolyurethane 93 durometer (proprietary blend for abrasion resistance and long wear)
- Available for Belt Widths42 to 120" (1050 to 3000 mm) Other sizes available upon request.
- CEMA Cleaner RatingClass 5

Specifications & Guidelines

Pole Location Specs



Pole Location Chart

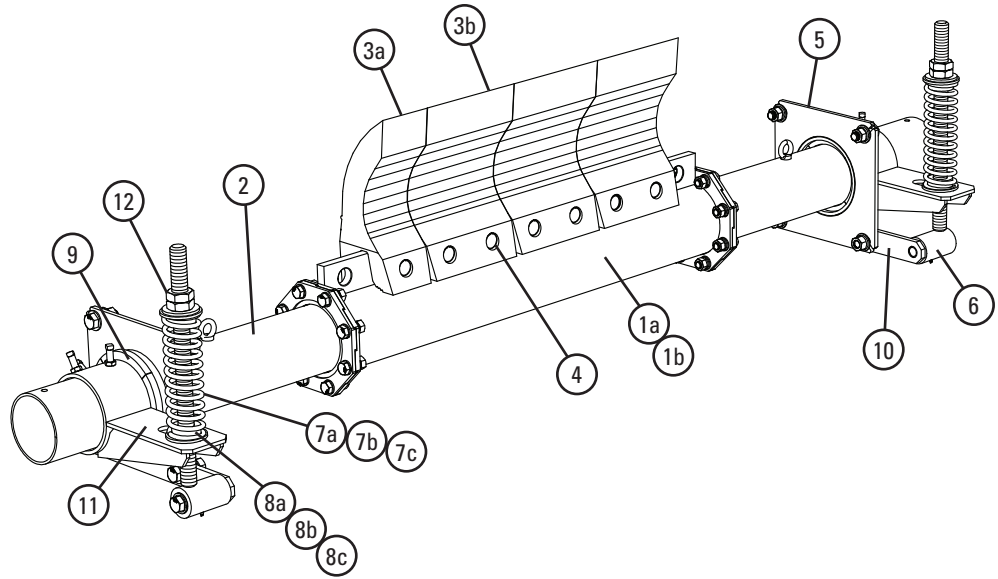
A		X		Y		C	
in.	mm	in.	mm	in.	mm	in.	mm
48	1225	20 1/2	520	26 1/4	665	33 1/4	845
49	1250	21	535	26 3/8	670	33 5/8	855
50	1275	21 1/2	545	26 3/8	670	34	865
51	1300	22	560	26 1/2	675	34 3/8	875
52	1325	22 1/2	570	26 5/8	675	34 3/4	885
53	1350	23	585	26 5/8	675	35 1/8	895
54	1375	23 1/2	595	26 3/4	680	35 5/8	905
55	1400	24	610	26 7/8	680	36	915
56	1425	24 1/2	620	26 7/8	685	36 3/8	925
57	1450	24 7/8	635	27	685	36 3/4	935
58	1475	25 3/8	645	27 1/8	690	37 1/8	945
59	1500	25 7/8	660	27 1/8	690	37 1/2	955
60	1525	26 3/8	670	27 1/4	695	38	965
61	1550	26 7/8	685	27 3/8	695	38 3/8	975
62	1575	27 3/8	695	27 1/2	695	38 3/4	985
63	1600	27 7/8	710	27 1/2	700	39 1/8	995
64	1625	28 3/8	720	27 5/8	700	39 5/8	1005
65	1650	28 7/8	735	27 3/4	705	40	1015
66	1675	29 3/8	745	27 3/4	705	40 3/8	1025
67	1700	29 7/8	760	27 7/8	710	40 7/8	1040
68	1725	30 3/8	770	28	710	41 1/4	1050
69	1750	30 7/8	785	28	710	41 3/4	1060
70	1775	31 3/8	795	28 1/8	715	42 1/8	1070
71	1800	31 7/8	810	28 1/4	715	42 1/2	1080
72	1825	32 3/8	820	28 1/4	720	43	1090

Pole Location Chart

A		X		Y		C	
in.	mm	in.	mm	in.	mm	in.	mm
73	1850	32 3/4	835	28 3/8	720	43 3/8	1100
74	1875	33 1/4	845	28 1/2	725	43 7/8	1115
75	1900	33 3/4	860	28 5/8	725	44 1/4	1125
76	1925	34 1/4	870	28 5/8	730	44 3/4	1135
77	1950	34 3/4	885	28 3/4	730	45 1/8	1145
78	1975	35 1/4	895	28 7/8	730	45 1/2	1155
79	2000	35 3/4	910	28 7/8	735	46	1170
80	2025	36 1/4	920	29	735	46 3/8	1180
81	2050	36 3/4	935	29 1/8	740	46 7/8	1190
82	2075	37 1/4	945	29 1/8	740	47 1/4	1200
83	2100	37 3/4	960	29 1/4	745	47 3/4	1215
84	2125	38 1/4	970	29 3/8	745	48 1/4	1225
85	2150	38 3/4	985	29 1/2	750	48 5/8	1235
86	2175	39 1/4	995	29 1/2	750	49 1/8	1245
87	2200	39 3/4	1010	29 5/8	750	49 1/2	1260
88	2225	40 1/4	1020	29 3/4	755	50	1270
89	2250	40 3/4	1035	29 3/4	755	50 3/8	1280
90	2275	41 1/8	1045	29 7/8	760	50 7/8	1290
91	2300	41 5/8	1060	30	760	51 3/8	1305
92	2325	42 1/8	1070	30	765	51 3/4	1315
93	2350	42 5/8	1085	30 1/8	765	52 1/4	1325
94	2375	43 1/8	1095	30 1/4	770	52 5/8	1340
95	2400	43 5/8	1110	30 1/4	770	53 1/8	1350
96	2425	44 1/8	1120	30 3/8	770	53 5/8	1360

Replacement Parts List

MXP
Extreme-Duty Precleaner



Replacement Poles

REF	DESCRIPTION	ORDERING NUMBER	ITEM CODE	WT. LBS.
1a	42" (1050mm) Center Pole BW-6	MXPP-642	90589	177.0
	48" (1200mm) Center Pole BW-6	MXPP-648	90590	198.0
	54" (1350mm) Center Pole BW-6	MXPP-654	90591	218.0
	60" (1500mm) Center Pole BW-6	MXPP-660	90592	239.0
	72" (1800mm) Center Pole BW-6	MXPP-672	90593	280.0
	84" (2100mm) Center Pole BW-6	MXPP-684	90594	320.0
	96" (2400mm) Center Pole BW-6	MXPP-696	90595	361.0
	108" (2700mm) Center Pole BW-6	MXPP-6108	90644	402.0
	120" (3000mm) Center Pole BW-6	MXPP-6120	90596	443.0
1b	42" (1050mm) Center Pole BW-12	MXPP-1242	90622	178.0
	48" (1200mm) Center Pole BW-12	MXPP-1248	90623	198.0
	54" (1350mm) Center Pole BW-12	MXPP-1254	90624	219.0
	60" (1500mm) Center Pole BW-12	MXPP-1260	90625	239.0
	72" (1800mm) Center Pole BW-12	MXPP-1272	90626	280.0
	84" (2100mm) Center Pole BW-12	MXPP-1284	90627	321.0
	96" (2400mm) Center Pole BW-12	MXPP-1296	90628	362.0
108" (2700mm) Center Pole BW-12	MXPP-12108	90645	401.0	
120" (3000mm) Center Pole BW-12	MXPP-12120	90629	442.0	
2	Extreme Duty Pole Ends* (pair)	MXPPE	90598	133.0

*Hardware Included

Lead time: 2 weeks

Spring Tensioner Selection Chart

CLEANER BLADE WIDTH	90612 XDST-P	90611 XDST-W	90613 XDST-B
UltraShear™ 42–60" (1050–1500mm)	X		
UltraShear™ 72–108" (1800–2700mm)		X	
UltraShear™ 120" (3000mm)			X

Replacement Parts

REF	DESCRIPTION	ORDERING NUMBER	ITEM CODE	WT. LBS.
3a	6" (150mm) UltraShear™ Blade	USB6	90410	20.0
3b	12" (300mm) UltraShear™ Blade	USB12	90409	40.0
4	UltraShear™ Blade Pin (1 ea.)	USBP	90411	1.0
5	XDST Mounting Plate Kit* (2 ea.)	XDSTMPK	90599	64.0
6	XDST Pivot Arm Kit* (1 ea.)	XDSTPAK	90600	20.0
7a	XDST Tension Spring – Purple (1 ea.) for blades 42–60" (1050–1500mm)	XDSTS-P	90602	10.0
7b	XDST Tension Spring – White (1 ea.) for blades 72–108" (1800–2700mm)	XDSTS-W	90601	13.0
7c	XDST Tension Spring – Black (1 ea.) for blades 120" (3000mm)	XDSTS-B	90603	17.0
8a	XDST Bushing Kit – Purple (2 ea.)	XDSTBK-P	90605	0.5
8b	XDST Bushing Kit – White (2 ea.)	XDSTBK-W	90604	0.5
8c	XDST Bushing Kit – Black (2 ea.)	XDSTBK-B	90606	0.5
9	MXP Pole Bearing Kit (8 segments) (Replacements for both tensioners)	MXPPBK	90607	2.5
10	XDST Pivot Shaft Bracket* (1 ea.)	XDSTPSBK	90608	15.0
11	XDST Torque Arm Kit* (1 ea.)	XDSTTAK	90609	15.0
12	XDST Jam Nut Kit (2 nuts, 1 washer)	XDSTJNK	90610	1.0
13	USB Blade Pin Removal Tool	USBBRP	90412	9.0
-	XDST Spring Tensioner* – Purple (incl. (1) ea. items 5, 9; (2) ea. items 6, 7a, 8a, 10, 11, 12)	XDST-P	90612	206.0
-	XDST Spring Tensioner* – White (incl. (1) ea. items 5, 9; (2) ea. items 6, 7b, 8b, 10, 11, 12)	XDST-W	90611	212.0
-	XDST Spring Tensioner* – Black (incl. (1) ea. items 5, 9; (2) ea. items 6, 7c, 8c, 10, 11, 12)	XDST-B	90613	220.0

*Hardware Included

Lead time: 1 working day

Product Ordering Information

HV2 Segmented Blade Precleaner

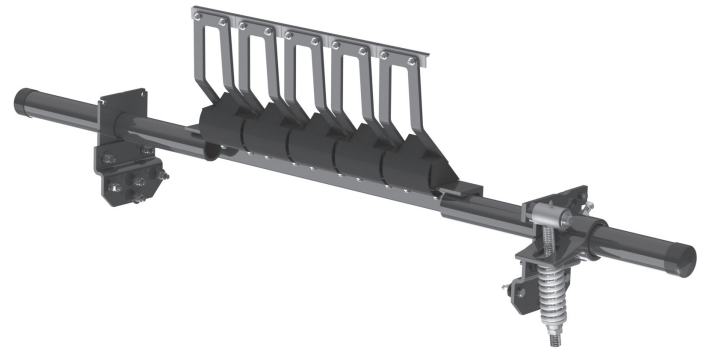
With V-Tips

BELT WIDTH		V-TIP SIZE	ORDERING NUMBER	ITEM CODE	WT. LBS.
in.	mm				
18	450	SS	HV2-18SS	79323	99.5
18	450	S	HV2-18S	79324	100.9
18	450	M	HV2-18M	79325	101.7
24	600	SS	HV2-24SS	79326	112.6
24	600	S	HV2-24S	79327	114.7
24	600	M	HV2-24M	79328	115.9
30	750	SS	HV2-30SS	79329	125.6
30	750	S	HV2-30S	79330	128.4
30	750	M	HV2-30M	79331	130.0
36	900	SS	HV2-36SS	79332	138.7
36	900	S	HV2-36S	79333	142.2
36	900	M	HV2-36M	79334	144.2
36	900	L	HV2-36L	79335	145.2
42	1050	SS	HV2-42SS	79336	151.8
42	1050	S	HV2-42S	79337	156.0
42	1050	M	HV2-42M	79338	158.4
42	1050	L	HV2-42L	79339	159.6
42	1050	LL	HV2-42LL	79340	163.8
48	1200	SS	HV2-48SS	79341	164.8
48	1200	S	HV2-48S	79342	169.7
48	1200	M	HV2-48M	79343	172.5
48	1200	L	HV2-48L	79344	173.9
48	1200	LL	HV2-48LL	79345	178.8
54	1350	S	HV2-54S	79346	183.5
54	1350	M	HV2-54M	79347	186.7
54	1350	L	HV2-54L	79348	188.3
54	1350	LL	HV2-54LL	79349	193.9
60	1500	S	HV2-60S	79350	197.3
60	1500	M	HV2-60M	79351	200.9
60	1500	L	HV2-60L	79352	202.7
60	1500	LL	HV2-60LL	79353	209.0
72	1800	S	HV2-72S	79354	216.2
72	1800	M	HV2-72M	79355	220.2
72	1800	L	HV2-72L	79356	222.2
72	1800	LL	HV2-72LL	79357	229.2

*NOTE: HV2 Tips must be used only on vulcanized belts.
 HV2 Suspension Arm size is determined by head pulley diameter - see chart.
 Additional sizes available upon request.
 Lead time: 1 working day

Tips Required per Cleaner Size

in.	18	24	30	36	42	48	54	60	72
mm	450	600	750	900	1050	1200	1350	1500	1800
No. HV2-Tips Required	2	3	4	5	6	7	8	9	11



Replacement HV2-Tips

ORDERING NUMBER	ITEM CODE	WT. LBS.
HV2T-S/S	79367	0.6
HV2PT	79368	0.8

Lead time: 1 working day

Replacement HV2 Suspension Arms

SIZE	ORDERING NUMBER	ITEM CODE	WT. LBS.
SS	H2SA6SS	79369	2.5
S	H2SA6S	79370	3.2
M	H2SA6M	79371	3.6
L	H2SA6L	79372	3.8
LL	H2SA6LL	79373	4.5

Lead time: 1 working day

HV2 Suspension Arm Size

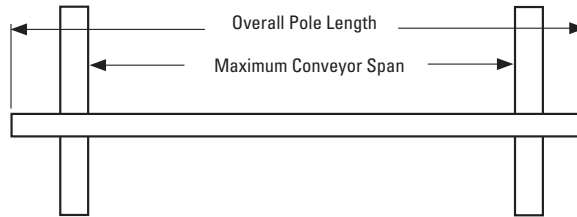
HEAD PULLEY DIAMETER + BELT & LAGGING		SIZE
in.	mm	
10-19	250-475	SS
20-31	500-775	S
32-39	800-975	M
40-47	1000-1175	L
48-67	1200-1675	LL

Specifications & Guidelines

HV2 Segmented Blade Precleaner

Pole Length Specifications*

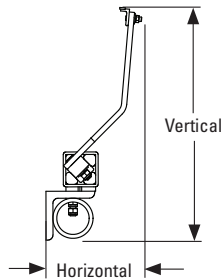
CLEANER SIZE		POLE LENGTH		MAXIMUM CONVEYOR SPAN	
in.	mm	in.	mm	in.	mm
18	450	66	1650	56	1400
24	600	72	1800	62	1550
30	750	78	1950	68	1700
36	900	84	2100	74	1850
42	1050	90	2250	80	2000
48	1200	96	2400	86	2150
54	1350	102	2550	92	2300
60	1500	108	2700	98	2450
72	1800	120	3000	110	2750



*For special extra long pole length requirements a Pole Extender Kit (#76024) is available that provides 30" (750 mm) of extended pole length. Pole Diameter – 2-7/8" (73 mm) (p. 138)

Clearance Guidelines for Installation

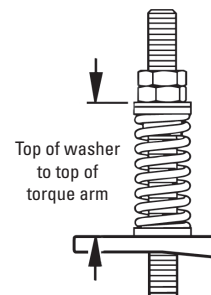
SUSPENSION ARM SIZE	HORIZONTAL CLEARANCE REQUIRED		VERTICAL CLEARANCE REQUIRED	
	in.	mm	in.	mm
SS	8-1/4	210	12-5/8	320
S	8-1/4	210	15-3/8	390
M	8-1/4	210	16-5/8	416
L	8-1/4	210	17-1/2	445
LL	8-1/4	210	20-1/8	511



HV2 Spring Length Chart

Belt Width		No. of Tips	SS		S		M		L		LL	
in	mm		in	mm	in	mm	in	mm	in	mm	in	mm
18	450	2	5 1/4	133	4 7/8	124	4 3/4	121	4 1/2	114	N/A	N/A
24	600	3	4 1/2	114	4 1/8	105	5 3/4	146	5 3/4	146	N/A	N/A
30	750	4	4 1/2	114	4 1/8	105	5 3/4	146	5 3/4	146	N/A	N/A
36	900	5	5 3/4	146	5 5/8	143	5 1/2	140	5 3/8	137	N/A	N/A
42	1050	6	5 5/8	143	5 3/8	137	5 1/4	133	5 1/8	130	4 3/4	121
48	1200	7	5 5/8	143	5 3/8	137	5 1/4	133	5 1/8	130	4 3/4	121
54	1350	8	N/A	N/A	5 1/8	130	5	127	4 7/8	124	6	152
60	1500	9	N/A	N/A	4 7/8	124	6 1/8	156	6	152	5 7/8	150
72	1800	11	N/A	N/A	6	152	6	152	5 7/8	150	5 3/4	146

Purple Spring
 Silver Spring
 White Spring

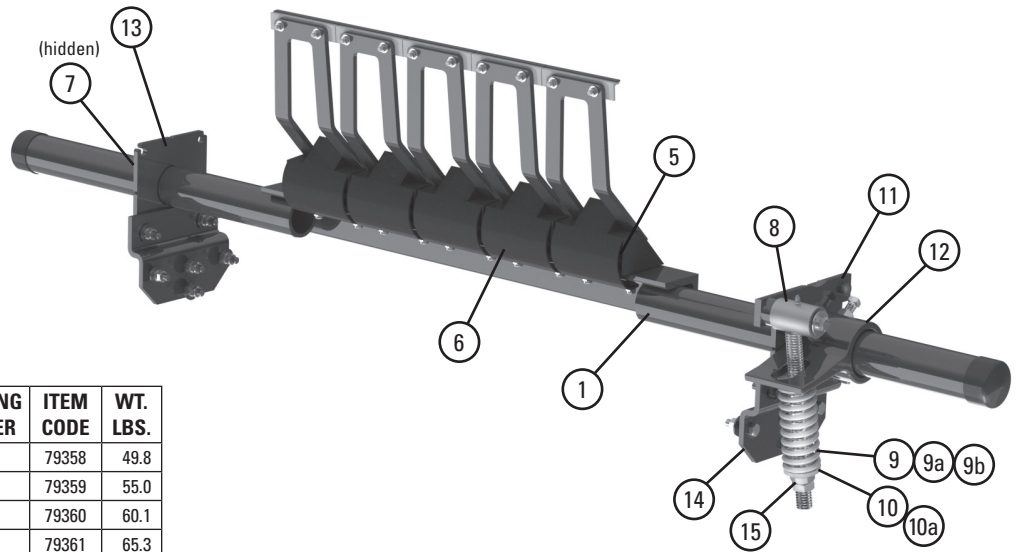


Specifications:

- Maximum Belt Speed 1500 FPM (7.5 m/s)
- Temperature Rating -30 to 180°F (-35 to 82°C)
- Usable Blade Wear Length 3/8" (9 mm)
- Blade Material Long Life Tungsten Carbide (for vulcanized belts only)
- Available for Belt Widths 18 to 72" (450 to 1800 mm) Other sizes available upon request.
- CEMA Cleaner Rating Class 4

Replacement Parts List

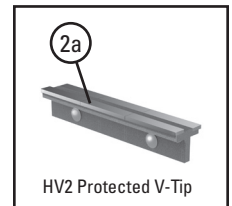
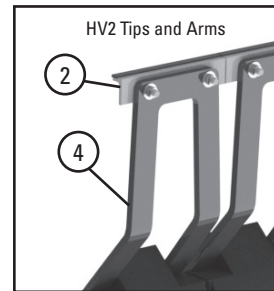
HV2 Segmented Blade Precleaner



Replacement Parts

REF	DESCRIPTION	ORDERING NUMBER	ITEM CODE	WT. LBS.
1	18" (450mm) Pole	H2P18	79358	49.8
	24" (600mm) Pole	H2P24	79359	55.0
	30" (750mm) Pole	H2P30	79360	60.1
	36" (900mm) Pole	H2P36	79361	65.3
	42" (1050mm) Pole	H2P42	79362	70.5
	48" (1200mm) Pole	H2P48	79363	75.6
	54" (1350mm) Pole	H2P54	79364	80.8
	60" (1500mm) Pole	H2P60	79365	86.0
72" (1800mm) Pole	H2P72	79366	96.3	
2	HV2 Tip (6" (150mm) Tip, 1 ea.)	HV2T-S/S	79367	0.6
2a	HV2 Protected V-Tip* (6" (150mm) Tip, 1 ea.) (for vulcanized belts only) (for abusive wear)	HV2PT	79368	0.8
3	HV2-S/S Tip Shield (optional)	HV2SSTS	79375	0.5
4	HV2 SS Suspension Arm*	H2SA6SS	79369	2.5
	HV2 S Suspension Arm*	H2SA6S	79370	3.2
	HV2 M Suspension Arm*	H2SA6M	79371	3.6
	HV2 L Suspension Arm*	H2SA6L	79372	3.8
	HV2 LL Suspension Arm*	H2SA6LL	79373	4.5
5	HV2 Cushion	H2RC	79374	4.3
6	HV2 Polyurethane Cushion Cover	UHVC	79453	0.5
7	Pole Lock Collar* (1 ea.)	MSPPL	75816	1.9
8	Pivot Arm Kit* (1 ea.)	QMTPAK	76096	4.3
9a	Tension Spring - Purple (1 ea.)**	QMTS-P	75845	0.6
9b	Tension Spring - White (1 ea.)**	PSTS-W	75898	1.7
9c	Tension Spring - Silver (1 ea.)**	PSTS-S	75899	3.0
10a	Bushing Kit - Purple (2 ea.) (for item 9a)	QMTBK-P	76097	0.1
10b	Bushing Kit - White (2 ea.) (for items 9b & 9c)	QMTBK-W	76098	0.2
11	Pivot Shaft Bracket Kit* (1 ea.)	QMTPSBK	76099	4.3
12	Torque Arm Kit* (1 ea.)	PSTA	75896	11.4
13	Mounting Plate Kit* (2 ea.)	MSPMPK	75811	8.3
14	Offset Bracket Kit* (1 ea.)	HOBK	76399	12.4
15	Jam Nut Kit QMT Tensioner	JNK-C	79893	0.3
-	QMT Spring Tensioner* - Purple (incl. (1) ea. items 9a, 10a, 11, 12, 13)	QMT-P	76074	20.4
-	QMT Spring Tensioner* - White (incl. (1) ea. items 9b, 10b, 11, 12, 13)	QMT-W	76075	21.8
-	QMT Spring Tensioner* - Silver (incl. (1) ea. items 9c, 10b, 11, 12, 13)	QMT-S	79039	20.3

*Hardware included
NOTE: All poles and tensioners are heavy-duty style.
Lead time: 1 working day



Spring Tensioner Selection Chart

HV2 Size	76074 QMT-P	76075 QMT-W	76402 QMT-S
18" (450mm) SS,S,M; 24" (600mm) SS, S; 30" (750mm) SS,S	X		
24" (600mm) M; 30" (750mm) M; 36" (900mm) SS-L; 42" (1050mm) SS-L; 48" (1200mm) SS-LL; 54" (1350mm) S-L; 60" (1500mm) S; 72" (1800mm) S		X	
54" (1350mm) LL; 60" (1500mm) M-LL; 72" (1800mm) M-LL			X

Tips Required per Cleaner Size

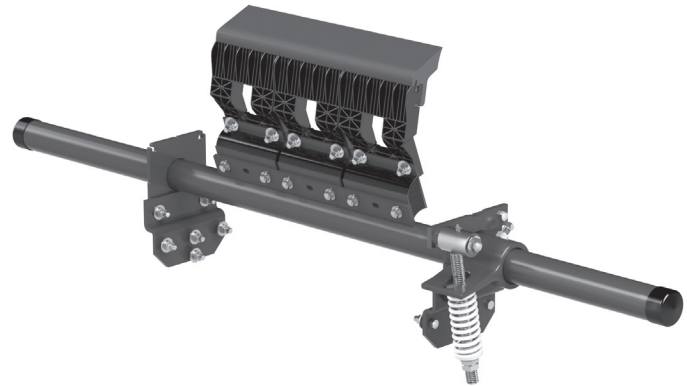
in.	18	24	30	36	42	48	54	60	72
mm	450	600	750	900	1050	1200	1350	1500	1800
No. HV2-Tips Required	2	3	4	5	6	7	8	9	11

Product Ordering Information

H-Type® Segmented Blade Precleaner with XF2-Tips

With XF2-Tips

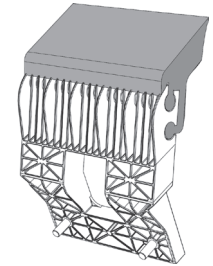
BELT WIDTH		XF2-TIP SIZE	ORDERING NUMBER	ITEM CODE	WT. LBS.
in.	mm				
18	450	SS	HXF2-18SS	76138	32.0
18	450	S	HXF2-18S	76289	97.1
18	450	M	HXF2-18M	76290	97.9
24	600	SS	HXF2-24SS	76139	110.0
24	600	S	HXF2-24S	76291	111.2
24	600	M	HXF2-24M	76292	112.4
30	750	SS	HXF2-30SS	76140	113.8
30	750	S	HXF2-30S	76293	115.0
30	750	M	HXF2-30M	76294	116.2
36	900	SS	HXF2-36SS	76141	126.2
36	900	S	HXF2-36S	76295	127.8
36	900	M	HXF2-36M	76296	129.4
36	900	L	HXF2-36L	76297	130.6
42	1050	SS	HXF2-42SS	76142	138.6
42	1050	S	HXF2-42S	76298	140.6
42	1050	M	HXF2-42M	76299	142.6
42	1050	L	HXF2-42L	76300	144.1
48	1200	SS	HXF2-48SS	76143	142.4
48	1200	S	HXF2-48S	76301	144.4
48	1200	M	HXF2-48M	76302	146.4
48	1200	L	HXF2-48L	76303	147.9
54	1350	SS	HXF2-54SS	76144	154.8
54	1350	S	HXF2-54S	76304	157.2
54	1350	M	HXF2-54M	76305	161.7
54	1350	L	HXF2-54L	76306	163.5
60	1500	S	HXF2-60S	76145	196.2
60	1500	M	HXF2-60M	76307	199.0
60	1500	L	HXF2-60L	76308	201.1
72	1800	S	HXF2-72S	76146	216.8
72	1800	M	HXF2-72M	76309	220.0
72	1800	L	HXF2-72L	76310	222.4



Replacement XF-Tips

SIZE	ORDERING NUMBER	ITEM CODE	WT. LBS.
SS	HXF8SS	74307	3.4
S	HXF8S	74689	3.8
M	HXF8M	74690	4.1
L	HXF8L	74691	4.5

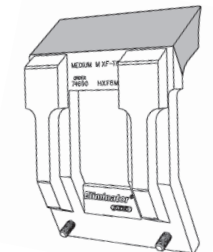
Lead time: 1 working day



Replacement XF2-Tips

SIZE	ORDERING NUMBER	ITEM CODE	WT. LBS.
SS	HXF2-SS	75979	3.0
S	HXF2-S	75980	3.4
M	HXF2-M	75981	3.8
L	HXF2-L	75982	4.1

Lead time: 1 working day



*NOTE: XF2-Tips must be used on mechanically spliced belts. Can be used on vulcanized belts.

XF2-Tip size is determined by head pulley diameter - see chart.

Additional sizes available upon request.

To order a cleaner with XF-Tips, call Customer Service.

Lead time: 1 working day

Tips Required per Cleaner Size

in.	18	24	30	36	42	48	54	60	72
mm	450	600	750	900	1050	1200	1350	1500	1800
No. XF2-Tips Required	2	3	3	4	5	5	6	7	8

XF-Tip & XF2-Tip Size

HEAD PULLEY DIAMETER + BELT & LAGGING		SIZE
in.	mm	
10-19	250-475	SS
20-31	500-775	S
32-39	800-975	M
40-47	1000-1175	L

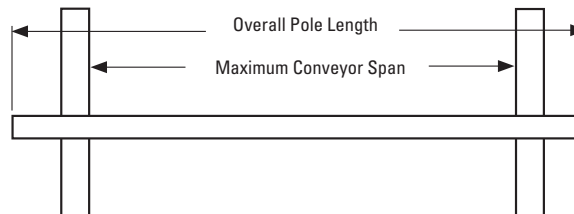
Specifications & Guidelines

H-Type® Segmented Blade Precleaner with XF2-Tips

Pole Length Specifications*

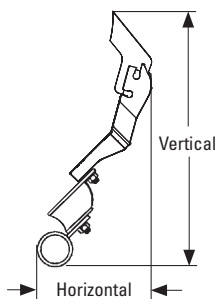
CLEANER SIZE		POLE LENGTH		MAXIMUM CONVEYOR SPAN	
in.	mm	in.	mm	in.	mm
18	450	66	1650	56	1400
24	600	72	1800	62	1550
30	750	78	1950	68	1700
36	900	84	2100	74	1850
42	1050	90	2250	80	2000
48	1200	96	2400	86	2150
54	1350	102	2550	92	2300
60	1500	108	2700	98	2450
72	1800	120	3000	110	2750

*For special extra long pole length requirements a Pole Extender Kit (#76024) is available that provides 30" (750 mm) of extended pole length. Pole Diameter – 2-7/8" (73 mm) (p. 138).



Clearance Guidelines for Installation

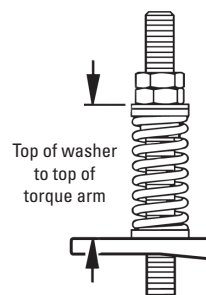
SUSPENSION ARM SIZE	HORIZONTAL CLEARANCE REQUIRED		VERTICAL CLEARANCE REQUIRED	
	in.	mm	in.	mm
SS	7	175	13	325
S	7	175	15	375
M	7	175	16 1/2	413
L	7	175	18 1/2	463
LL	7	175	22	550



QMT Spring Length Chart

Belt Width		No. of Tips	SS		S		M		L	
in	mm		in	mm	in	mm	in	mm	in	mm
18	450	2	4 1/2	114	4	102	5 3/4	146	N/A	N/A
24	600	3	5 5/8	143	5 1/2	140	5 3/8	137	N/A	N/A
30	750	3	5 5/8	143	5 1/2	140	5 3/8	137	N/A	N/A
36	900	4	5 3/8	137	5 1/8	130	5	127	4 1/4	108
42	1050	5	5	127	4 3/4	121	6	152	6	152
48	1200	5	5	127	4 3/4	121	6	152	6	152
54	1350	6	4 3/4	121	6	152	5 7/8	150	5 7/8	150
60	1500	7	N/A	N/A	5 7/8	150	5 3/4	146	5 3/4	146
72	1800	8	N/A	N/A	5 3/4	146	5 5/8	143	5 5/8	143

Purple Spring
 Silver Spring
 White Spring



Specifications:

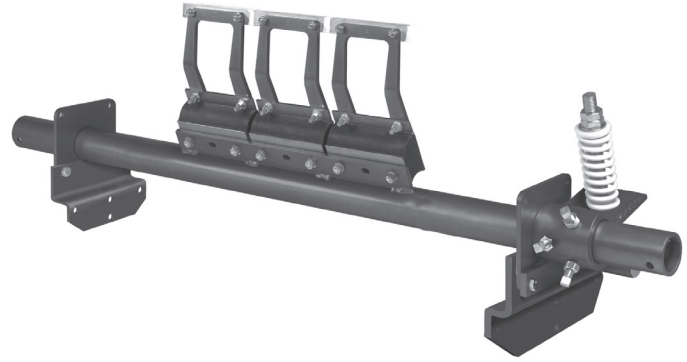
- Maximum Belt Speed 1000 FPM (5 m/s)
- Temperature Rating -30 to 180°F (-35 to 82°C)
- Usable Blade Wear Length 3" (75 mm)
- Blade Material Polyurethane (proprietary blend for abrasion resistance and long wear)
- Available for Belt Widths 18 to 72" (450 to 1800 mm) Other sizes available upon request.
- CEMA Cleaner Rating Class 4

Product Ordering Information

H-Type® Segmented Blade Precleaner with V-Tips

With V-Tips*

BELT WIDTH		SUSPENSION ARM SIZE	ORDERING NUMBER	ITEM CODE	WT. LBS.
in.	mm				
18	450	SS	HV-18SS	76101	96.3
18	450	S	HV-18S	76190	97.1
18	450	M	HV-18M	76191	98.1
24	600	SS	HV-24SS	76102	108.6
24	600	S	HV-24S	76192	109.8
24	600	M	HV-24M	76193	111.3
30	750	SS	HV-30SS	76103	112.4
30	750	S	HV-30S	76194	113.6
30	750	M	HV-30M	76195	115.1
36	900	SS	HV-36SS	76104	124.8
36	900	S	HV-36S	76196	127.8
36	900	M	HV-36M	76197	129.8
36	900	L	HV-36L	76198	131.4
42	1050	SS	HV-42SS	76105	138.6
42	1050	S	HV-42S	76199	140.6
42	1050	M	HV-42M	76251	143.1
42	1050	L	HV-42L	76252	145.1
42	1050	LL	HV-42LL	76253	147.6
48	1200	SS	HV-48SS	76106	142.4
48	1200	S	HV-48S	76254	144.4
48	1200	M	HV-48M	76255	146.9
48	1200	L	HV-48L	76256	148.9
48	1200	LL	HV-48LL	76257	151.4
54	1350	S	HV-54S	76107	157.2
54	1350	M	HV-54M	76258	160.2
54	1350	L	HV-54L	76259	162.6
54	1350	LL	HV-54LL	76260	165.6
60	1500	S	HV-60S	76108	194.1
60	1500	M	HV-60M	76261	197.6
60	1500	L	HV-60L	76262	200.4
60	1500	LL	HV-60LL	76263	206.0
72	1800	S	HV-72S	76109	214.7
72	1800	M	HV-72M	76264	218.7
72	1800	L	HV-72L	76265	224.0
72	1800	LL	HV-72LL	76266	228.0



Replacement V-Tips

ORDERING NUMBER	ITEM CODE	WT. LBS.
HVT8-S/S	75419	1.0

Lead time: 1 working day

Replacement Suspension Arms

SIZE	ORDERING NUMBER	ITEM CODE	WT. LBS.
SS	HSA8SS	73047	2.0
S	HSA8S	73048	2.4
M	HSA8M	73049	2.9
L	HSA8L	73063	3.3
LL	HSA8LL	73064	3.8

Lead time: 1 working day

*NOTE: V-Tips can be used ONLY on vulcanized belts.

Suspension arm size is determined by head pulley diameter - see chart.

Additional sizes available upon request.

Lead time: 1 working day

Tips Required per Cleaner Size

in.	18	24	30	36	42	48	54	60	72
mm	450	600	750	900	1050	1200	1350	1500	1800
No. V-Tips Required	2	3	3	4	5	5	6	7	8

Suspension Arm Size

HEAD PULLEY DIAMETER + BELT & LAGGING		SIZE
in.	mm	
10-19	250-475	SS
20-31	500-775	S
32-39	800-975	M
40-47	1000-1175	L
48-67	1200-1675	LL

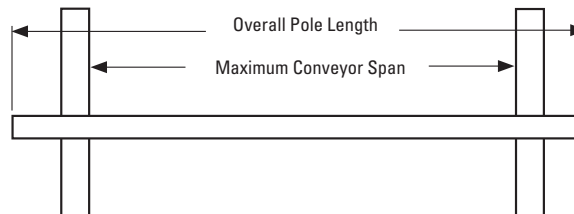
Specifications & Guidelines

H-Type[®] Segmented Blade Precleaner with V-Tips

Pole Length Specifications*

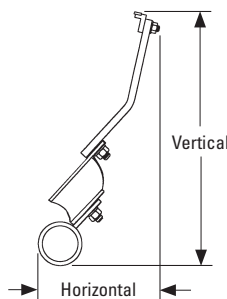
CLEANER SIZE		POLE LENGTH		MAXIMUM CONVEYOR SPAN	
in.	mm	in.	mm	in.	mm
18	450	66	1650	56	1400
24	600	72	1800	62	1550
30	750	78	1950	68	1700
36	900	84	2100	74	1850
42	1050	90	2250	80	2000
48	1200	96	2400	86	2150
54	1350	102	2550	92	2300
60	1500	108	2700	98	2450
72	1800	120	3000	110	2750

*For special extra long pole length requirements a Pole Extender Kit (#76024) is available that provides 30" (750 mm) of extended pole length. Pole Diameter – 2-7/8" (73 mm) (p. 138).



Clearance Guidelines for Installation

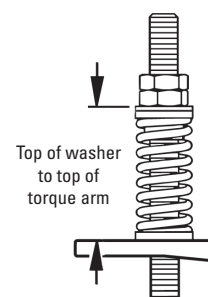
SUSPENSION ARM SIZE	HORIZONTAL CLEARANCE REQUIRED		VERTICAL CLEARANCE REQUIRED	
	in.	mm	in.	mm
SS	7	175	13	325
S	7	175	15	375
M	7	175	16 1/2	413
L	7	175	18 1/2	463
LL	7	175	22	550



QMT Spring Length Chart

Belt Width		No. of Tips	SS		S		M		L		LL	
in	mm		in	mm	in	mm	in	mm	in	mm	in	mm
18	450	2	5 1/4	133	4 7/8	124	4 3/4	121	4 1/2	114	N/A	N/A
24	600	3	4 1/2	114	4 1/8	105	5 3/4	146	5 3/4	146	N/A	N/A
30	750	4	4 1/2	114	4 1/8	105	5 3/4	146	5 3/4	146	N/A	N/A
36	900	5	5 3/4	146	5 5/8	143	5 1/2	140	5 3/8	137	N/A	N/A
42	1050	6	5 5/8	143	5 3/8	137	5 1/4	133	5 1/8	130	4 3/4	121
48	1200	7	5 5/8	143	5 3/8	137	5 1/4	133	5 1/8	130	4 3/4	121
54	1350	8	N/A	N/A	5 1/8	130	5	127	4 7/8	124	6	152
60	1500	9	N/A	N/A	4 7/8	124	6 1/8	156	6	152	5 7/8	150
72	1800	11	N/A	N/A	6	152	6	152	5 7/8	150	5 3/4	146

Purple Spring
 Silver Spring
 White Spring



Specifications:

- Maximum Belt Speed 1000 FPM (5 m/s)
- Temperature Rating -30 to 180°F (-35 to 82°C)
- Usable Blade Wear Length 3/8" (9 mm)
- Blade Material Long Life Tungsten Carbide (for vulcanized belts only)
- Available for Belt Widths 18 to 72" (450 to 1800 mm) Other sizes available upon request.
- CEMA Cleaner Rating Class 4

Product Ordering Information

H-Type® Segmented Blade Precleaner with Protected V-Tips

With Protected V-Tips*

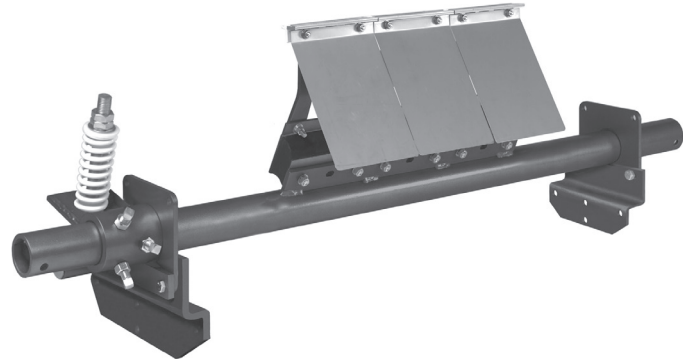
For abusive applications where materials being cleaned off the belt wear the back sides of the cleaner's V-Tips.

BELT WIDTH		SUSPENSION ARM SIZE	ORDERING NUMBER	ITEM CODE	WT. LBS.
in.	mm				
18	450	S	HVP-18S	76124	99.1
18	450	M	HVP-18M	76267	100.1
18	450	L	HVP-18L	76268	100.9
24	600	S	HVP-24S	76125	112.8
24	600	M	HVP-24M	76269	114.3
24	600	L	HVP-24L	76270	115.5
30	750	S	HVP-30S	76126	116.6
30	750	M	HVP-30M	76271	118.1
30	750	L	HVP-30L	76272	119.3
36	900	S	HVP-36S	76127	130.4
36	900	M	HVP-36M	76273	133.8
36	900	L	HVP-36L	76274	135.4
42	1050	S	HVP-42S	76128	145.6
42	1050	M	HVP-42M	76275	148.1
42	1050	L	HVP-42L	76276	150.1
48	1200	S	HVP-48S	76129	149.4
48	1200	M	HVP-48M	76277	151.9
48	1200	L	HVP-48L	76278	153.9
48	1200	LL	HVP-48LL	76279	156.4
54	1350	S	HVP-54S	76130	163.2
54	1350	M	HVP-54M	76280	166.2
54	1350	L	HVP-54L	76281	168.6
54	1350	LL	HVP-54LL	76282	171.6
60	1500	S	HVP-60S	76131	201.1
60	1500	M	HVP-60M	76283	204.6
60	1500	L	HVP-60L	76284	207.4
60	1500	LL	HVP-60LL	76285	213.0
72	1800	S	HVP-72S	76132	222.7
72	1800	M	HVP-72M	76286	226.7
72	1800	L	HVP-72L	76287	232.0
72	1800	LL	HVP-72LL	76288	236.0

*NOTE: Protected V-Tips can be used ONLY on vulcanized belts.
Suspension arm size is determined by head pulley diameter - see chart.
Cleaners come standard with Stainless Steel Tip Shields.
Additional sizes available upon request.
Lead time: 1 working day

Tips Required per Cleaner Size

in.	18	24	30	36	42	48	54	60	72
mm	450	600	750	900	1050	1200	1350	1500	1800
No. Protected V-Tips Required	2	3	3	4	5	5	6	7	8



Replacement Protected V-Tips

ORDERING NUMBER	ITEM CODE	WT. LBS.
HVPT	73631	2.7

Lead time: 1 working day

Replacement Suspension Arms

SIZE	ORDERING NUMBER	ITEM CODE	WT. LBS.
SS	HSA8SS	73047	2.0
S	HSA8S	73048	2.4
M	HSA8M	73049	2.9
L	HSA8L	73063	3.3
LL	HSA8LL	73064	3.8

Lead time: 1 working day

Suspension Arm Size

HEAD PULLEY DIAMETER + BELT & LAGGING		SIZE
in.	mm	
10-19	250-475	SS
20-31	500-775	S
32-39	800-975	M
40-47	1000-1175	L
48-67	1200-1675	LL

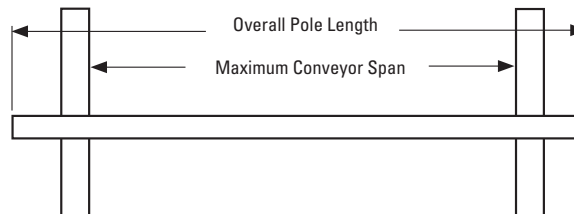
Specifications & Guidelines

H-Type[®] Segmented Blade Precleaner with Protected V-Tips

Pole Length Specifications*

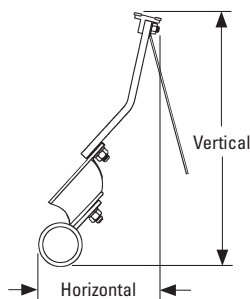
CLEANER SIZE		POLE LENGTH		MAXIMUM CONVEYOR SPAN	
in.	mm	in.	mm	in.	mm
18	450	66	1650	56	1400
24	600	72	1800	62	1550
30	750	78	1950	68	1700
36	900	84	2100	74	1850
42	1050	90	2250	80	2000
48	1200	96	2400	86	2150
54	1350	102	2550	92	2300
60	1500	108	2700	98	2450
72	1800	120	3000	110	2750

*For special extra long pole length requirements a Pole Extender Kit (#76024) is available that provides 30" (750 mm) of extended pole length. Pole Diameter – 2-7/8" (73 mm) (p. 138).



Clearance Guidelines for Installation

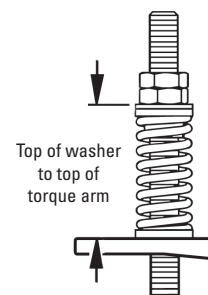
SUSPENSION ARM SIZE	HORIZONTAL CLEARANCE REQUIRED		VERTICAL CLEARANCE REQUIRED	
	in.	mm	in.	mm
SS	7	175	13	325
S	7	175	15	375
M	7	175	16 1/2	413
L	7	175	18 1/2	463
LL	7	175	22	550



QMT Spring Length Chart

Belt Width		No. of Tips	SS		S		M		L		LL	
in	mm		in	mm	in	mm	in	mm	in	mm	in	mm
18	450	2	5 1/4	133	4 7/8	124	4 3/4	121	4 1/2	114	N/A	N/A
24	600	3	4 1/2	114	4 1/8	105	5 3/4	146	5 3/4	146	N/A	N/A
30	750	4	4 1/2	114	4 1/8	105	5 3/4	146	5 3/4	146	N/A	N/A
36	900	5	5 3/4	146	5 5/8	143	5 1/2	140	5 3/8	137	N/A	N/A
42	1050	6	5 5/8	143	5 3/8	137	5 1/4	133	5 1/8	130	4 3/4	121
48	1200	7	5 5/8	143	5 3/8	137	5 1/4	133	5 1/8	130	4 3/4	121
54	1350	8	N/A	N/A	5 1/8	130	5	127	4 7/8	124	6	152
60	1500	9	N/A	N/A	4 7/8	124	6 1/8	156	6	152	5 7/8	150
72	1800	11	N/A	N/A	6	152	6	152	5 7/8	150	5 3/4	146

Purple Spring
 Silver Spring
 White Spring

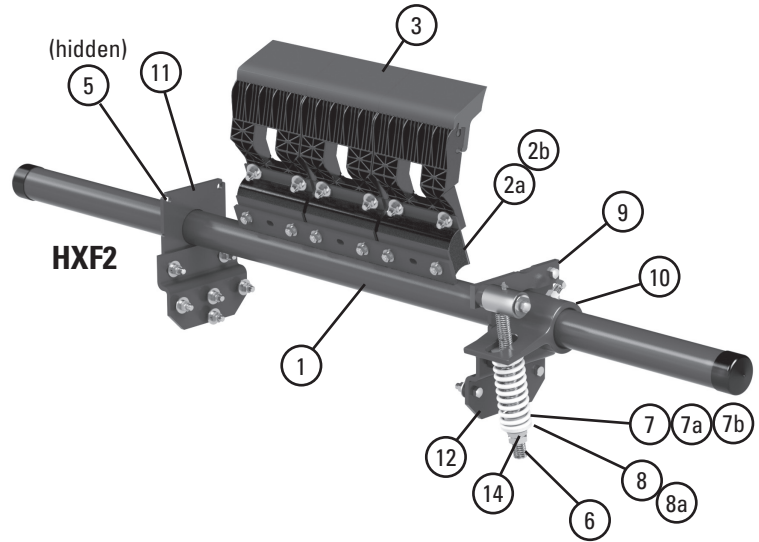


Specifications:

- Maximum Belt Speed 1000 FPM (5 m/s)
- Temperature Rating -30 to 180°F (-35 to 82°C)
- Usable Blade Wear Length 3/8" (9 mm)
- Blade Material Long Life Tungsten Carbide (for vulcanized belts only)
- Available for Belt Widths 18 to 72" (450 to 1800 mm) Other sizes available upon request.
- CEMA Cleaner Rating Class 4

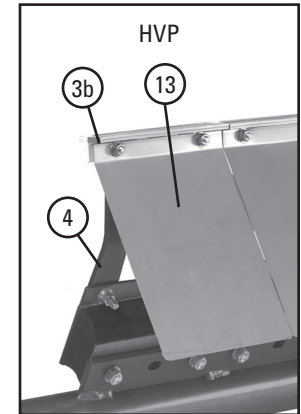
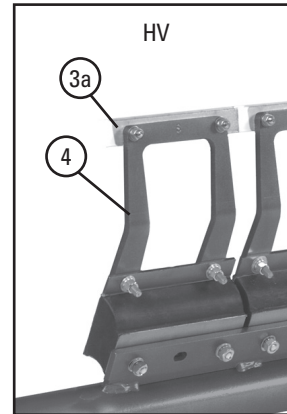
Replacement Parts List

H-Type® Segmented Blade Precleaners



Replacement Parts

REF	DESCRIPTION	ORDERING NUMBER	ITEM CODE	WT. LBS.
1	18" (450mm) Pole	H78P18	76110	41.2
	24" (600mm) Pole	H78P24	76111	46.5
	30" (750mm) Pole	H78P30	76112	50.3
	36" (900mm) Pole	H78P36	76113	55.7
	42" (1050mm) Pole	H78P42	76114	61.1
	48" (1200mm) Pole	H78P48	76115	64.9
	54" (1350mm) Pole	H78P54	76116	70.3
	60" (1500mm) Pole	H78P60	76117	99.8
	72" (1800mm) Pole	H78P72	76118	113.0
2a	H2 XF-Tip Cushion* (for S, M, L HXF2-Tips; or S - LL Susp. Arms)	HXFC2	75902	4.0
2b	H2 F-Tip Cushion* (for SS HXF2 Tips; or SS Susp. Arms)	HFC2	75901	4.0
3	HXF2-Tip Extra Small*	HXF2-SS	75979	3.0
	HXF2-Tip Small*	HXF2-S	75980	3.4
	HXF2-Tip Medium*	HXF2-M	75981	3.8
	HXF2-Tip Large*	HXF2-L	75982	4.1
3a	H V-Tip* (1 ea.)	HVT8-S/S	75419	1.0
3b	H Protected V-Tip* (1 ea.) (for vulcanized belts only) (for abusive wear)	HVPT	73631	2.7
4	H SS Suspension Arm*	HSA8SS	73047	0.5
	H S Suspension Arm*	HSA8S	73048	1.0
	H M Suspension Arm*	HSA8M	73049	1.5
	H L Suspension Arm*	HSA8L	73063	2.0
	H LL Suspension Arm*	HSA8LL	73064	2.5
5	Pole Lock Collar* (1 ea.)	MSPPL	75816	1.9
6	Pivot Arm Kit* (1 ea.)	QMTPAK	76096	4.3
7	Tension Spring - Purple (1 ea.)**	QMTS-P	75845	0.6
7a	Tension Spring - White (1 ea.)**	PSTS-W	75898	1.7
7b	Tension Spring - Silver (1 ea.)**	PSTS-S	75899	3.0
8	Bushing Kit - Purple (2 ea.) (for Item 7)	QMTBK-P	76097	0.1
8a	Bushing Kit - White (2 ea.) (for Items 7a & 7b)	QMTBK-W	76098	0.2
9	Pivot Shaft Bracket Kit* (1 ea.)	QMTPSBK	76099	4.3
10	Torque Arm Kit* (1 ea.)	PSTA	75896	11.4
11	Mounting Plate Kit* (2 ea.)	MSPMPK	75811	8.3
12	Offset Bracket Kit* (1 ea.)	HOBK	76399	12.4
13	H SS Tip Shield	HSSSTS	74771	0.5
14	Jam Nut Kit QMT Tensioner	JNK-C	79893	0.3
-	H SS Cushion Shield	HSSCS	74772	0.6
-	QMT Spring Tensioner* - Purple (incl. 1 ea. Items 6, 7, 8, 9, & 10)	QMT-P	76074	20.4
-	QMT Spring Tensioner* - White (incl. 1 ea. Items 6, 7a, 8a, 9, & 10)	QMT-W	76075	21.8
-	QMT Spring Tensioner* - Silver (incl. 1 ea. Items 6, 7b, 8a, 9, & 10)	QMT-S	79039	20.3



Spring Tensioner Selection Chart

CLEANER TYPE AND SIZE	76074 QMT-P	76075 QMT-W	79039 QMT-S
HXF2			
18" (450mm) SS & S	X		
18" (450mm) M; 24-36" (600-900mm); 42-48" (1050-1200mm) SS & S; 54" (1350mm) SS		X	
42-48" (1050-1200mm) M & L; 54-72" (1350-1800mm) S, M, L			X
HV			
18" (450mm) SS, S, M; 24-30" (600-750mm) SS & S	X		
24-30" (600-750mm) M; 36-48" (900-1200mm), 54" (1350mm) S, M, L; 60" (1500mm) S		X	
54" (1350mm) LL; 60" (1500mm) M, L, LL; 72" (1800mm)			X
HVP			
18" (450mm) S, M; 24-30" (600-750mm) S	X		
24-30" (600-750mm) M; 36-48" (900-1200mm); 54" (1350mm) S, M, L; 60" (1500mm) S		X	
54" (1350mm) LL; 60" (1500mm) M, L, LL; 72" (1800mm)			X

*Hardware included

NOTE: All poles and tensioners are heavy-duty style.

Parts for old style H cleaners - See p. 148

Lead time: 1 working day

Product Ordering Information

H-Type® High-Temp Segmented Blade Precleaner with V-Tips

High-Temp with V-Tips*

BELT WIDTH		SUSPENSION ARM SIZE	ORDERING NUMBER	ITEM CODE	WT. LBS.
in.	mm				
18	450	SS	HTV18SS	74821	64.0
18	450	S	HTV18S	74828	65.0
24	600	SS	HTV24SS	74822	71.6
24	600	S	HTV24S	74829	72.6
30	750	SS	HTV30SS	74823	78.0
30	750	S	HTV30S	74830	80.0
36	900	SS	HTV36SS	74824	88.0
36	900	S	HTV36S	74831	90.0
36	900	M	HTV36M	74838	92.0
42	1050	SS	HTV42SS	74825	108.0
42	1050	S	HTV42S	74832	110.0
42	1050	M	HTV42M	74839	112.0
48	1200	SS	HTV48SS	74826	117.0
48	1200	S	HTV48S	74833	120.0
48	1200	M	HTV48M	74840	122.0

Suspension arm size is determined by head pulley diameter - see chart.

Pole Diameter - 2-3/8" (60 mm)

Lead time: 1 working day



Replacement Spring

ORDERING NUMBER	ITEM CODE	WT. LBS.
HTTS-HT	79068	1.0

Lead time: 1 working day

Replacement Suspension Arms

SIZE	ORDERING NUMBER	ITEM CODE	WT. LBS.
SS	HSA8SS	73047	2.0
S	HSA8S	73048	2.4
M	HSA8M	73049	2.9

Lead time: 1 working day

Replacement V-Tips

ORDERING NUMBER	ITEM CODE	WT. LBS.
HVT8-S/S	75419	1.0

Lead time: 1 working day

Tips Required per Cleaner Size

in.	18	24	30	36	42	48
mm	450	600	750	900	1050	1200
No. V-Tips Required	2	3	3	4	5	5

Suspension Arm Size

HEAD PULLEY DIAMETER + BELT & LAGGING		SIZE
in.	mm	
8-15	200-375	SS
16-27	400-675	S
28-35	700-875	M

Product Notes:

- The High-Temp Precleaner works in ambient temperatures up to 400°F (204°C) with spikes to 450°F (232°C)
- V-Tips can be used ONLY on vulcanized belts.
- Cleaners come standard with stainless steel tip shields.
- For replacement parts see the old-style H-Type® Replacement Parts List on page 148.
- Compatible with reversing belts.

Product Ordering Information

EZS2 Secondary Cleaner

EZS2 Secondary Cleaner

BELT WIDTH		ORDERING NUMBER	ITEM CODE	WT. LBS.
in.	mm			
18	450	EZS2-18	75643	71.0
24	600	EZS2-24	75644	75.8
30	750	EZS2-30	75645	79.7
36	900	EZS2-36	75646	85.5
42	1050	EZS2-42	75647	89.4
48	1200	EZS2-48	75648	94.2
54	1350	EZS2-54	75649	99.0
60	1500	EZS2-60	75650	136.3
72	1800	EZS2-72	75651	151.9

Lead time: 1 working day



Replacement C-Tips

ORDERING NUMBER	ITEM CODE	WT. LBS.
ICT6	74535	0.7

Lead time: 1 working day

Tips Required per Cleaner Size

in.	18	24	30	36	42	48	54	60	72
mm	450	600	750	900	1050	1200	1350	1500	1800
No. C-Tips Required	3	4	5	6	7	8	9	10	12

Product Notes:

- Blade width equals belt width.
- Can be installed in any location from where the belt leaves the pulley on down the beltline.
- FormFlex™ cushions automatically adjust the individual tension of each blade to the belt.
- Works with mechanical splices.
- A special cushion pad helps absorb the impact from mechanical splices and eliminates blade vibration.
- Comes complete with universal mounting brackets.
- Versatile tensioner can be installed to either push-up or pull-up the cleaner to the belt, depending on installation space constraints.
- If belt is cupped or has low tension, a hold-down roller may be required to flatten and support the belt for optimal cleaning results.

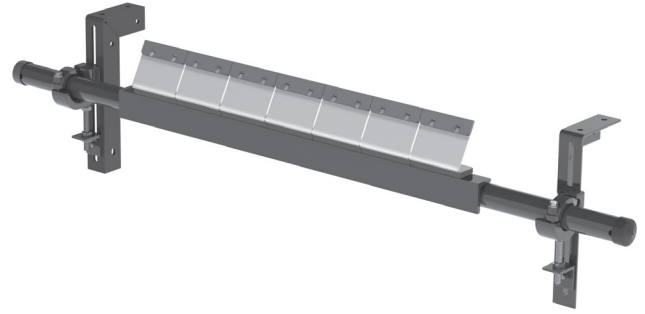
Product Ordering Information

EZS2 High-Temp Secondary Cleaner

High-Temp with C-Tips

BELT WIDTH		ORDERING NUMBER	ITEM CODE	WT. LBS.
in.	mm			
18	450	HTS18	76085	64.0
24	600	HTS24	76086	68.0
30	750	HTS30	76087	72.0
36	900	HTS36	76088	76.0
42	1050	HTS42	76089	80.0
48	1200	HTS48	76090	84.0
54	1350	HTS54	76091	88.0
60	1500	HTS60	76092	145.3
72	1800	HTS72	76093	149.5

Pole Diameter – 2-3/8" (60 mm)
Lead time: 1 working day



Replacement C-Tips

ORDERING NUMBER	ITEM CODE	WT. LBS.
ICT6	74535	0.7

Lead time: 1 working day

Replacement Cushion Kit

ORDERING NUMBER	ITEM CODE	WT. LBS.
HTSCK	76094	1.5

Lead time: 1 working day

Tips Required per Cleaner Size

in.	18	24	30	36	42	48	54	60	72
mm	450	600	750	900	1050	1200	1350	1500	1800
No. C-Tips Required	3	4	5	6	7	8	9	10	12

Product Notes:

- The High-Temp Secondary works in ambient temperatures up to 400°F (204°C) with spikes to 450°F (232°C).
- Works with mechanical fasteners.

Specifications & Guidelines

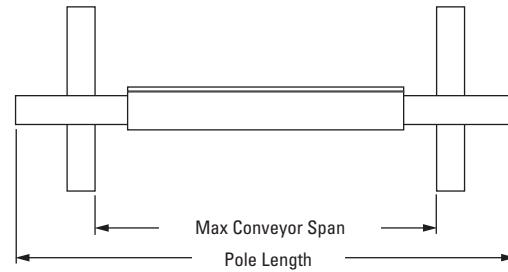
EZS2 Secondary Cleaner

Pole Length Specifications

BELT WIDTH		BLADE WIDTH		POLE LENGTH		MAXIMUM CONVEYOR SPAN	
in.	mm	in.	mm	in.	mm	in.	mm
18	450	18	450	52	1300	47	1175
24	600	24	600	58	1450	53	1325
30	750	30	750	64	1600	59	1475
36	900	36	900	70	1750	65	1625
42	1050	42	1050	76	1900	71	1775
48	1200	48	1200	82	2050	77	1925
54	1350	54	1350	88	2200	83	2075
60	1500	60	1500	94	2350	89	2225
72	1800	72	1800	106	2650	101	2525

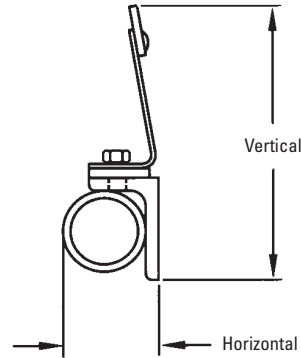
Pole Diameter – 2-3/8" (60 mm) on 18–54" (450–1350 mm)

Pole Diameter – 2-7/8" (73 mm) on 60–72" (1500–1800 mm)



Clearance Guidelines for Installation

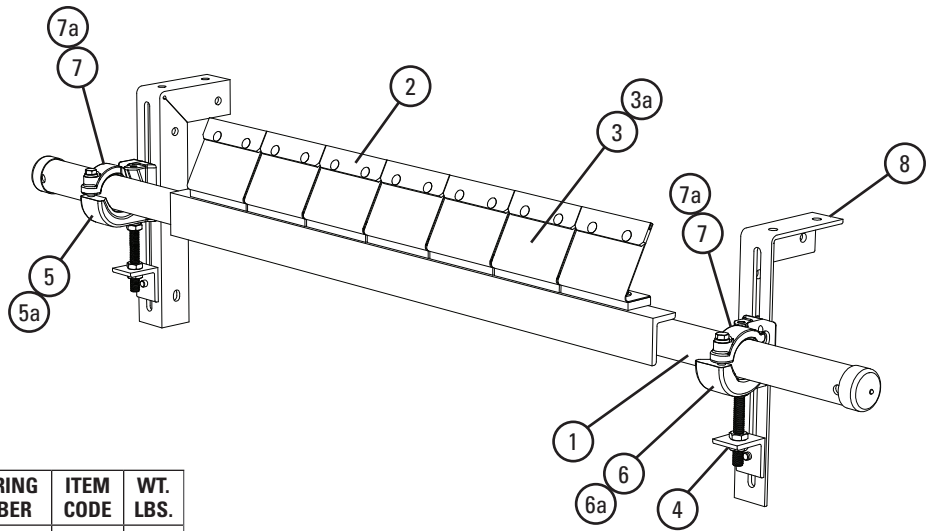
HORIZONTAL CLEARANCE REQUIRED		VERTICAL CLEARANCE REQUIRED	
in.	mm	in.	mm
4	100	8 1/2 for 18–54"	213 for 450–1350 mm
		9 1/2 for 60–72"	238 for 1500–1800 mm



Specifications:

- Maximum Belt Speed700 FPM (3.5 m/s)
- Temperature RatingEZS2: -30 to 200°F (-35 to 93°C)
EZS2 High-Temp: up to 400°F (204°C), spikes to 450°F (232°C)
- Usable Blade Wear Length.....3/8" (9 mm)
- Blade MaterialImpact Resistant Tungsten Carbide (works with mechanical fasteners)
- Available for Belt Widths18 to 72" (450 to 1800 mm)
- CEMA Cleaner RatingClass 3

Replacement Parts List



Replacement Parts

REF	DESCRIPTION	ORDERING NUMBER	ITEM CODE	WT. LBS.
1	18" (450mm) Pole	EZS2P18	75652	25.0
	24" (600mm) Pole	EZS2P24	75653	28.0
	30" (750mm) Pole	EZS2P30	75654	30.0
	36" (900mm) Pole	EZS2P36	75655	34.0
	42" (1050mm) Pole	EZS2P42	75656	36.0
	48" (1200mm) Pole	EZS2P48	75657	39.0
	54" (1350mm) Pole	EZS2P54	75658	42.0
	60" (1500mm) Pole	EZS2P60	75659	77.0
	72" (1800mm) Pole	EZS2P72	75660	89.0
2	C-Tip Kit* (1 ea.)	ICT6	74535	0.7
3	FormFlex™ Cushion Kit* (incl. (1) cushion & (1) pad)	FFCK	75661	1.5
3a	High Temp Replacement Cushion Kit* (incl. (1) cushion & (1) pad)	HTSCK	76094	1.5
4	Adjusting Bracket Kit* (1 ea.)	PAB	75513	1.5
5	Pole Clamp Kit LEFT* (1 ea.) (incl. item 7)	CCKL	79224	6.8
5a	HD Pole Clamp Kit LEFT* (1 ea.) (incl. item 7a)	CCKHDL	79225	8.7
6	Pole Clamp Kit RIGHT* (1 ea.) (incl. item 7)	CCKR	79228	6.8
6a	HD Pole Clamp Kit RIGHT* (1 ea.) (incl. item 7a)	CCKHDR	79229	8.7
7	Cradle Clamp Top Strap (1 ea.) (for use on L or R Pole Clamp Kit)	CCKTS	79232	1.1
7a	HD Cradle Clamp Top Strap (1 ea.) (for use on L or R HD Pole Clamp Kit)	CCKHDTS	79233	1.7
8	Mounting Bracket Kit (1 Right & 1 Left)	EZS2MBK	75666	13.0
-	Cradle Clamp Mounting Kit* (incl. (2) ea. item 4 & (1) ea. items 5, 6 & 8)	CCMK	78919	33.0
-	HD Cradle Clamp Mounting Kit* (incl. (2) ea. item 4 & (1) ea. items 5a, 6a & 8)	CCMKHD	78920	36.7

*Hardware Included

Lead time: 1 working day

Mounting Kit Selection Chart

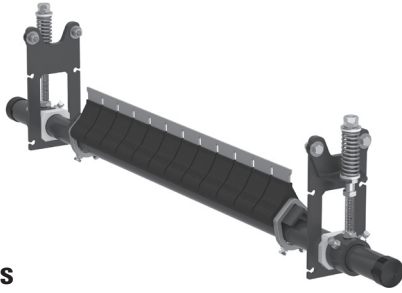
Cleaner Width	78919 CCMK	78920 CCMKHD
EZS2 18–54" (450–1350mm)	X	
EZS2 60–72" (1500–1800mm)		X

Tips Required per Cleaner Size

in.	18	24	30	36	42	48	54	60	72
mm	450	600	750	900	1050	1200	1350	1500	1800
No. C-Tips Required	3	4	5	6	7	8	9	10	12

Product Ordering Information

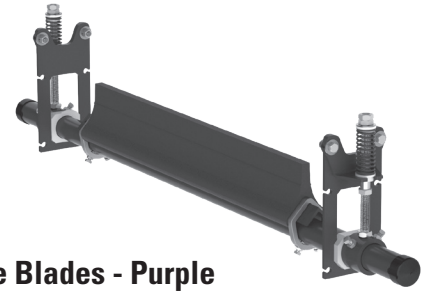
Y-Type™ Standard-Duty Secondary Cleaner with Carbide/Polyurethane Blades and YST Tensioner



With Carbide Blades

BELT WIDTH		ORDERING NUMBER	ITEM CODE	WT. LBS.
in.	mm			
18	450	YT-TC-18S	79759	55.0
24	600	YT-TC-24S	79760	60.0
30	750	YT-TC-30S	79761	65.0
36	900	YT-TC-36S	79762	70.0
42	1050	YT-TC-42S	79763	76.0
48	1200	YT-TC-48S	79764	82.0

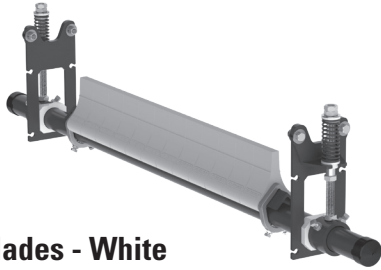
Lead time: 1 working day



With Polyurethane Blades - Purple

BELT WIDTH		ORDERING NUMBER	ITEM CODE	WT. LBS.
in.	mm			
18	450	YT-18S	79765	59.0
24	600	YT-24S	79766	65.0
30	750	YT-30S	79767	71.0
36	900	YT-36S	79768	77.0
42	1050	YT-42S	79769	83.0
48	1200	YT-48S	79770	89.0

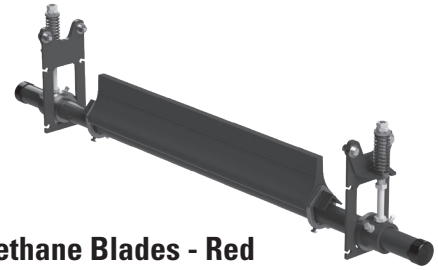
Lead time: 1 working day



With Polyurethane Blades - White

BELT WIDTH		ORDERING NUMBER	ITEM CODE	WT. LBS.
in.	mm			
18	450	YTW-18S	79771	59.0
24	600	YTW-24S	79772	65.0
30	750	YTW-30S	79773	71.0
36	900	YTW-36S	79774	77.0
42	1050	YTW-42S	79775	83.0
48	1200	YTW-48S	79776	89.0

Lead time: 1 working day



With UHT Polyurethane Blades - Red

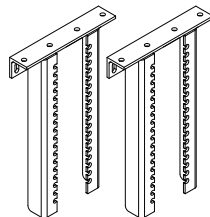
BELT WIDTH		ORDERING NUMBER	ITEM CODE	WT. LBS.
in.	mm			
18	450	YTR-18S	91798	59.0
24	600	YTR-24S	91799	65.0
30	750	YTR-30S	91800	71.0
36	900	YTR-36S	91801	77.0
42	1050	YTR-42S	91802	83.0
48	1200	YTR-48S	91803	89.0

Lead time: 1 working day

Optional YST Drop Brackets (2)

ORDERING NUMBER	ITEM CODE	WT. LBS.
YSTDBK2	113390	32.0

Lead time: 1 working day



YST Standard Duty Drop Brackets

Product Notes:

- Works on reversing belts, vulcanized belts, and belts with mechanical fasteners.
- Pole Length: Belt width plus 30" (750 mm). For longer requirements, see Installation Accessories – Pole Extender Kit on page 137.
- Visual Blade Tension Check: Measure the tension spring and refer to Spring Length Chart on mounting base for the correct length for best cleaning performance.
- Tensioner: Standard Duty YST Spring Tensioner for self-adjusting tensioning with easy retensioning adjustments. The tensioner can be mounted in pull-up or push-up position.
- To make cleaner installation easier and quicker, see Optional Mounting Kits on replacement parts page or page 137.
- Simple design makes changing the blades fast and easy. Blades can be removed and replaced individually, or all at once by replacing the cartridge.

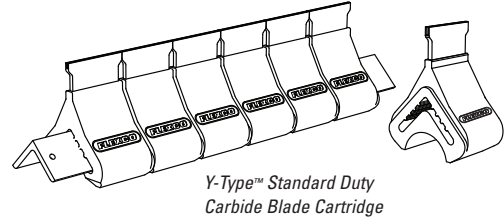
Product Ordering Information

Y-Type™ Standard-Duty Secondary Cleaner with Carbide/Polyurethane Blades and YST Tensioner

Standard Carbide Blades

BELT WIDTH		ORDERING NUMBER	ITEM CODE	WT. LBS.
in.	mm			
-	-	YT-C*	79574	1.1
18	450	YCART-18/450-TC	79811	12.6
24	600	YCART-24/600-TC	79812	16.5
30	750	YCART-30/750-TC	79813	20.4
36	900	YCART-36/900-TC	79814	24.2
42	1050	YCART-42/1050-TC	79815	28.1
48	1200	YCART-48/1200-TC	79816	31.9

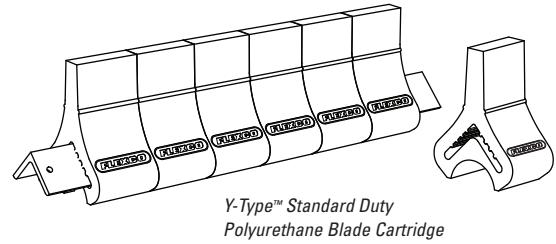
*Single 3" (75 mm) blade segment
Lead time: 1 working day



Standard Polyurethane Blades - Purple

BELT WIDTH		ORDERING NUMBER	ITEM CODE	WT. LBS.
in.	mm			
-	-	YT-P*	79573	1.2
18	450	YCART-18/450-P	79617	13.1
24	600	YCART-24/600-P	79618	17.1
30	750	YCART-30/750-P	79619	21.1
36	900	YCART-36/900-P	79620	25.1
42	1050	YCART-42/1050-P	79621	29.1
48	1200	YCART-48/1200-P	79622	33.1

*Single 3" (75 mm) blade segment
Lead time: 1 working day



Polyurethane Blades - White†

BELT WIDTH		ORDERING NUMBER	ITEM CODE	WT. LBS.
in.	mm			
-	-	YT-W*	79572	1.2
18	450	YCART-18/450-W	79611	13.1
24	600	YCART-24/600-W	79612	17.1
30	750	YCART-30/750-W	79613	21.1
36	900	YCART-36/900-W	79614	25.1
42	1050	YCART-42/1050-W	79615	29.1
48	1200	YCART-48/1200-W	79616	33.1

*Single 3" (75 mm) blade segment
†White blades are chemical resistant, and all ingredients used in Polyurethane formulation comply with the relevant requirements of 21 CFR (FDA Code of Federal Regulations) for use in repeated bulk dry food applications.
Lead time: 1 working day

UHT Polyurethane Blades - Red

BELT WIDTH		ORDERING NUMBER	ITEM CODE	WT. LBS.
in.	mm			
-	-	YT-R*	91804	1.2
18	450	YCART-18/450-R	91805	13.1
24	600	YCART-24/600-R	91806	17.1
30	750	YCART-30/750-R	91807	21.1
36	900	YCART-36/900-R	91808	25.1
42	1050	YCART-42/1050-R	91809	29.1
48	1200	YCART-48/1200-R	91810	33.1

*Single 3" (75 mm) blade segment
Lead time: 1 working day

Blades Required per Cleaner Size

in.	18	24	30	36	42	48
mm	450	600	750	900	1050	1200
No. Required	6	8	10	12	14	16

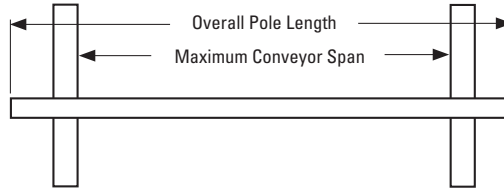
Specifications & Guidelines

Y-Type™ Standard-Duty Secondary Cleaner with YST Tensioner

Pole Length Specifications

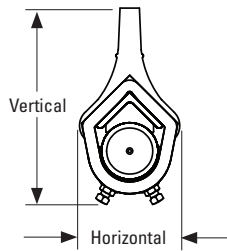
CLEANER SIZE		POLE LENGTH		MAXIMUM CONVEYOR SPAN	
in.	mm	in.	mm	in.	mm
18	450	48	1200	40	1025
24	600	54	1350	46	1175
30	750	60	1500	52	1325
36	900	66	1650	58	1475
42	1050	72	1800	64	1625
48	1200	78	1950	70	1775

Pole Length – Belt +30" (750 mm)
Pole Diameter – 2-3/8" (60 mm)



Clearance Guidelines for Installation

CLEANER TYPE	BELT WIDTH/ CLEANER SIZE		HORIZONTAL CLEARANCE REQUIRED		VERTICAL CLEARANCE REQUIRED	
	in.	mm	in.	mm	in.	mm
Y-Type® Polyurethane	18–48	450–1200	4-1/4	110	8-1/4	210
Y-Type® Carbide	18–48	450–1200	4-1/4	110	7-3/4	184



Blade Specifications

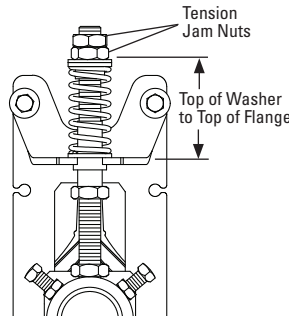
CUSHION	DUROMETER	TEMPERATURE RANGE
Purple (Standard)	83A	-30 to 180°F (-35 to 82°C)
White (Food Grade) ‡	83A	-30 to 180°F (-35 to 82°C)
Red (Ultra High-Temp)	93A	Up to 400°F (200°C) Spikes to 450°F (232°C)
Carbide	83A	-30 to 180°F (-35 to 82°C)

‡ All ingredients used in the polyurethane formulation of this blade comply with the relevant requirements of 21 CFR (FDA Code of Federal Regulations) for use in repeated bulk dry food applications

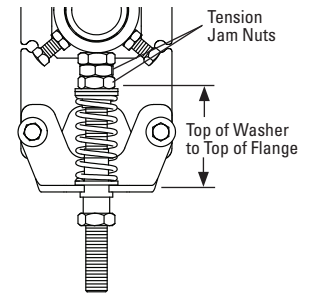
YST Spring Length Chart

Blade Width	Carbide Tip		Purple or White Polyurethane Tip			Red UHT Polyurethane Tip					
	Silver Springs		Yellow Springs	Purple Springs	Yellow Springs	Purple Springs	Yellow Springs	Purple Springs			
in.	mm	in.	mm	in.	mm	in.	mm	in.	mm	in.	mm
18	450	4 1/8	105	3 1/4	83	3 5/8	92	3 1/8	79	3 5/8	92
24	600	4	102	2 7/8	73	3 3/8	86	2 3/4	70	3 3/8	86
30	750	3 7/8	98	2 5/8	67	3 1/8	79	2 1/2	64	3 1/8	79
36	900	3 3/4	95	2 1/4	57	2 7/8	73	2 1/4	57	2 7/8	73
42	1050	3 5/8	92	NA	NA	2 5/8	67	NA	NA	2 5/8	67
48	1200	3 1/2	89	NA	NA	2 3/8	60	NA	NA	2 3/8	60

Shading indicates preferred spring option.



Pull-Up Tensioner Configuration (SD)



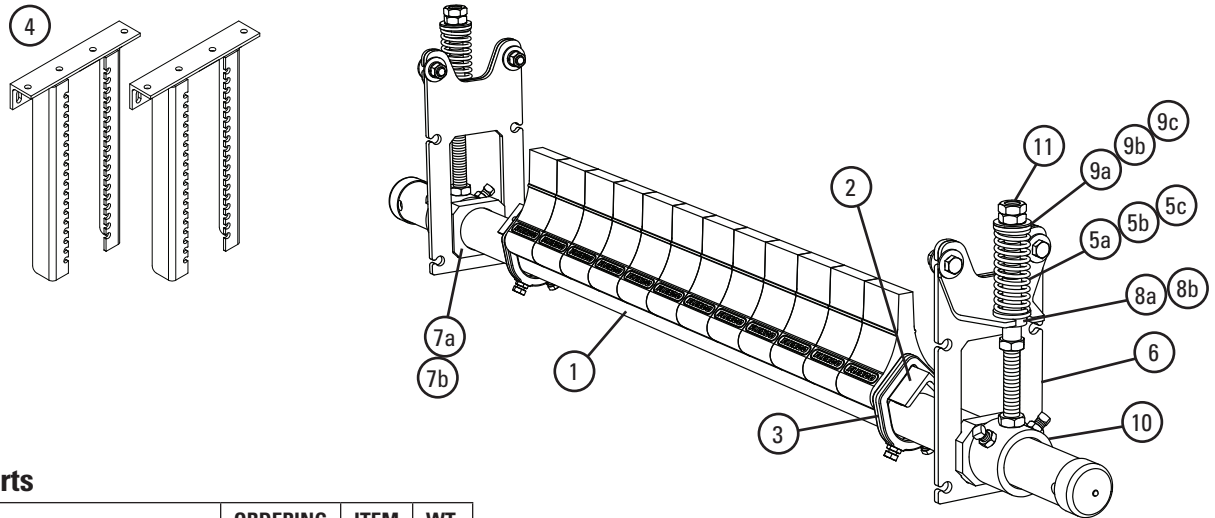
Push-Up Tensioner Configuration (SD)

Specifications:

- Maximum Belt Speed 600 FPM (3 m/s)
- Usable Blade Wear Length..... 2" (50 mm) (Polyurethane)
1/4" (6 mm) (Carbide)
- Blade Materials Purple: Polyurethane (proprietary blend for abrasion resistance and long wear)
White: Polyurethane (chemical resistant/food grade)
Red: Polyurethane (ultra high-temp)
Carbide: Tungsten Carbide
- Available for Belt Widths 18 to 48" (450 to 1200 mm) Other sizes available upon request.
- CEMA Cleaner Rating Class 2 (Standard-duty with polyurethane blades)
Class 3 (Standard-duty with carbide blades)

Replacement Parts List

Y-Type™ Standard-Duty Secondary Cleaner with YST Tensioner



Replacement Parts

REF	DESCRIPTION	ORDERING NUMBER	ITEM CODE	WT. LBS.
1	18" (450mm) Pole	YTP-18/450	79587	20.2
	24" (600mm) Pole	YTP-24/600	79588	22.7
	30" (750mm) Pole	YTP-30/750	79589	25.2
	36" (900mm) Pole	YTP-36/900	79590	27.7
	42" (1050mm) Pole	YTP-42/1050	79591	30.2
	48" (1200mm) Pole	YTP-48/1200	79592	32.7
2	18" (450mm) Cushion Angle	YTA-18/450	79593	5.7
	24" (600mm) Cushion Angle	YTA-24/600	79594	7.3
	30" (750mm) Cushion Angle	YTA-30/750	79595	8.9
	36" (900mm) Cushion Angle	YTA-36/900	79596	10.4
	42" (1050mm) Cushion Angle	YTA-42/1050	79597	12.0
	48" (1200mm) Cushion Angle	YTA-48/1200	79598	13.6
3	Y-Type Angle Clamp* (2 ea.)	YTAC	79623	2.2
4	YST Drop Bracket Kit (2 ea.)	YSTDBK2	113390	32.0
5a	YST Spring - Yellow	YSTS-Y	79795	0.3
5b	YST Spring - Purple	YSTS-P	79796	0.4
5c	YST Spring - Silver (Carbide Cleaners)	CTS-S	77743	0.5
6	YST Mounting Bracket (incl. Angle Bracket)	YSTMB	79843	3.3
7a	YST Guide Block Kit (Pair)	YSTGBK	79845	0.4
7b	YST Guide Block Kit - UHT (Pair)	YSTGBK-R	91811	0.4
8a	YST Lower Bushing Kit (Pair)	YSTLBK	79846	0.1
8b	YST Lower Bushing Kit - UHT (Pair)	YSTLBK-R	91812	0.1
9a	YST Top Bushing Kit - White (Pair)	YSTTBK-W	79847	0.1
9b	YST Top Bushing Kit - Black (Pair)	YSTTBK-B	79855	0.1
9c	YST Top Bushing Kit - UHT (Pair)	YSTBKPU-R	91813	0.1
10	YST Pole Mount Kit*	YSTPMK	79848	4.3
11	YST Adjusting Rod Nut Kit	YSTANK	79857	0.2
-	YST Spring Tensioner - Yellow (Pair) (incl. (2) ea. items 5a, 6, 10, 11; (1) ea. items 7a, 8a, 9a)	YST-Y	79836	18.2
-	YST Spring Tensioner - Purple (Pair) (incl. (2) ea. items 5b, 6, 10, 11; (1) ea. items 7a, 8a, 9a)	YST-P	79837	18.5
-	YST Spring Tensioner - Silver (Pair) (incl. (2) ea. items 5c, 6, 10, 11; (1) ea. items 7a, 8a, 9b)	YST-S	79838	18.8
-	UHT YST Spring Tensioner - Yellow (Pair) (incl. (2) ea. items 5a, 6, 10, 11; (1) ea. items 7b, 8b, 9c)	YST-Y-R	91814	18.2
-	UHT YST Spring Tensioner - Purple (Pair) (incl. (2) ea. items 5b, 6, 10, 11; (1) ea. items 7b, 8b, 9c)	YST-P-R	91815	18.5

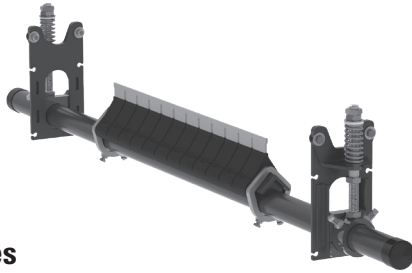
*Hardware included
Lead time: 1 working day

Spring Tensioner Selection Chart

CLEANER BLADE WIDTH	79838 YST-S	79836 YST-Y	79837 YST-P	91814 YST-Y-R	91815 YST-P-R
Carbide 18-48" (450-1200mm)	X				
Polyurethane 18-30" (450-750mm)		X			
Polyurethane 36-48" (900-1200mm)			X		
Red Polyurethane 18-30" (450-750mm)				X	
Red Polyurethane 36-48" (900-1200mm)					X

Product Ordering Information

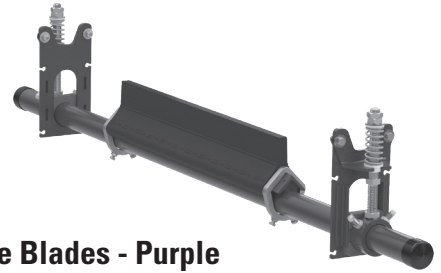
Y-Type™ HD Heavy-Duty Secondary Cleaner with HD Carbide/Urethane Blades and YST Tensioner



With Carbide Blades

BELT WIDTH		ORDERING NUMBER	ITEM CODE	WT. LBS.
in.	mm			
36	900	YTHD-TC-36S	79777	130.0
42	1050	YTHD-TC-42S	79778	142.4
48	1200	YTHD-TC-48S	79779	151.9
54	1350	YTHD-TC-54S	79780	161.5
60	1500	YTHD-TC-60S	79781	171.0
72	1800	YTHD-TC-72S	79782	190.1

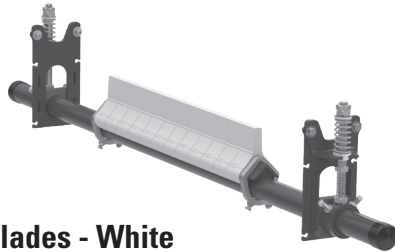
Lead time: 1 working day



With Polyurethane Blades - Purple

BELT WIDTH		ORDERING NUMBER	ITEM CODE	WT. LBS.
in.	mm			
36	900	YTHD-36S	79783	131.0
42	1050	YTHD-42S	79784	140.3
48	1200	YTHD-48S	79785	149.5
54	1350	YTHD-54S	79786	158.8
60	1500	YTHD-60S	79787	168.0
72	1800	YTHD-72S	79788	186.5

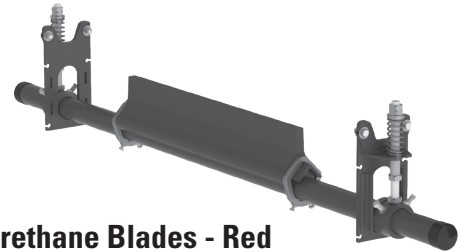
Lead time: 1 working day



With Polyurethane Blades - White

BELT WIDTH		ORDERING NUMBER	ITEM CODE	WT. LBS.
in.	mm			
36	900	YTHDW-36S	79789	131.0
42	1050	YTHDW-42S	79790	140.3
48	1200	YTHDW-48S	79791	149.5
54	1350	YTHDW-54S	79792	158.8
60	1500	YTHDW-60S	79793	168.0
72	1800	YTHDW-72S	79794	186.5

Lead time: 1 working day



With UHT Polyurethane Blades - Red

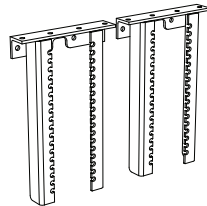
BELT WIDTH		ORDERING NUMBER	ITEM CODE	WT. LBS.
in.	mm			
36	900	YTHDR-36S	91816	131.0
42	1050	YTHDR-42S	91817	140.3
48	1200	YTHDR-48S	91818	149.5
54	1350	YTHDR-54S	91819	158.8
60	1500	YTHDR-60S	91820	168.0
72	1800	YTHDR-72S	91821	186.5

Lead time: 1 working day

Optional YST HD Drop Brackets (2)

ORDERING NUMBER	ITEM CODE	WT. LBS.
YSTHDBK	79850	32.1

Lead time: 1 working day



YST HD Drop Brackets

Product Notes:

- Works on reversing belts, vulcanized belts, and belts with mechanical fasteners.
- Pole Length: Belt width plus 54" (1350 mm). For longer requirements, see Installation Accessories – Pole Extender Kit page 137.
- Visual Blade Tension Check: Measure tension spring and refer to Spring Length Chart on mounting base for correct length for best cleaning performance.
- Tensioner: Standard Duty YST Spring Tensioner for self-adjusting tensioning with easy retensioning adjustments. The tensioner can be mounted in pull-up or push-up position.
- To make cleaner installation easier and quicker, see Optional Mounting Kits on replacement parts page.
- Simple design makes changing the blades fast and easy. Blades can be removed and replaced individually, or all at once by replacing the cartridge.

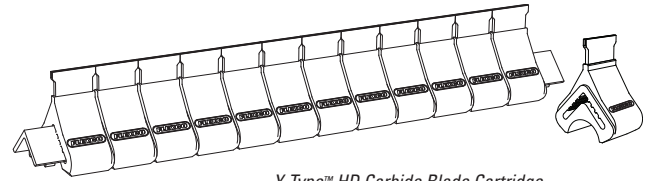
Product Ordering Information

Y-Type™ HD Heavy-Duty Secondary Cleaner with HD Carbide/Urethane Blades and YST Tensioner

HD Carbide Blades

BELT WIDTH		ORDERING NUMBER	ITEM CODE	WT. LBS.
in.	mm			
-	-	YT-HDC*	79728	1.8
36	900	YCART-36/900-HDTC	79829	38.4
42	1050	YCART-42/1050-HDTC	79830	44.5
48	1200	YCART-48/1200-HDTC	79831	50.6
54	1350	YCART-54/1350-HDTC	79832	56.8
60	1500	YCART-60/1500-HDTC	79833	62.9
72	1800	YCART-72/1800-HDTC	79834	75.2

*Single 3" (75 mm) blade segment
Lead time: 1 working day

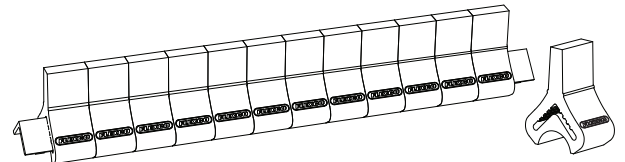


Y-Type™ HD Carbide Blade Cartridge

HD Polyurethane Blades - Purple

BELT WIDTH		ORDERING NUMBER	ITEM CODE	WT. LBS.
in.	mm			
-	-	YT-HDP*	79677	1.7
36	900	YCART-36/900-HDP	79817	36.5
42	1050	YCART-42/1050-HDP	79818	42.3
48	1200	YCART-48/1200-HDP	79819	48.1
54	1350	YCART-54/1350-HDP	79820	53.9
60	1500	YCART-60/1500-HDP	79821	59.8
72	1800	YCART-72/1800-HDP	79822	71.4

*Single 3" (75 mm) blade segment
Lead time: 1 working day



Y-Type™ HD Polyurethane Blade Cartridge

HD Blades - White†

BELT WIDTH		ORDERING NUMBER	ITEM CODE	WT. LBS.
in.	mm			
-	-	YT-HDW*	79676	1.7
36	900	YCART-36/900-HDW	79823	36.5
42	1050	YCART-42/1050-HDW	79824	42.3
48	1200	YCART-48/1200-HDW	79825	48.1
54	1350	YCART-54/1350-HDW	79826	53.9
60	1500	YCART-60/1500-HDW	79827	59.8
72	1800	YCART-72/1800-HDW	79828	71.4

*Single 3" (75 mm) blade segment
†White blades are chemical resistant, and all ingredients used in Polyurethane formulation comply with the relevant requirements of 21 CFR (FDA Code of Federal Regulations) for use in repeated bulk dry food applications.
Lead time: 1 working day

HD UHT Polyurethane Blades - Red

BELT WIDTH		ORDERING NUMBER	ITEM CODE	WT. LBS.
in.	mm			
-	-	YT-HDR*	91822	1.7
36	900	YCART-36/900-HDR	91823	36.5
42	1050	YCART-42/1050-HDR	91824	42.3
48	1200	YCART-48/1200-HDR	91825	48.1
54	1350	YCART-54/1350-HDR	91826	53.9
60	1500	YCART-60/1500-HDR	91827	59.8
72	1800	YCART-72/1800-HDR	91828	71.4

*Single 3" (75 mm) blade segment
Lead time: 1 working day

Blades Required per Cleaner Size

in.	36	42	48	54	60	72
mm	900	1050	1200	1350	1500	1800
No. Required	12	14	16	18	20	24

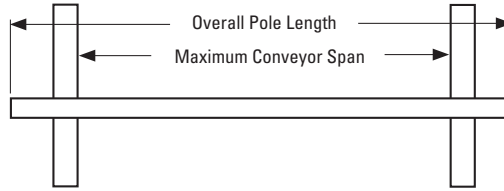
Specifications & Guidelines

Y-Type™ HD Heavy-Duty Secondary Cleaner with YST Tensioner

Pole Length Specifications

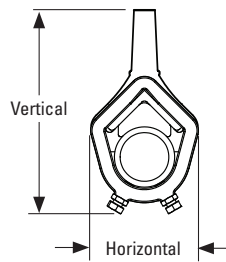
CLEANER SIZE		POLE LENGTH		MAXIMUM CONVEYOR SPAN	
in.	mm	in.	mm	in.	mm
36	900	90	2286	82	2083
42	1050	96	2438	88	2235
48	1200	102	2590	94	2388
54	1350	108	2743	100	2540
60	1500	114	2895	106	2692
72	1800	126	3200	118	2997

Pole Length – Belt +54" (1350 mm)
Pole Diameter – 2-7/8" (73 mm)



Clearance Guidelines for Installation

CLEANER TYPE	BELT WIDTH/ CLEANER SIZE		HORIZONTAL CLEARANCE REQUIRED		VERTICAL CLEARANCE REQUIRED	
	in.	mm	in.	mm	in.	mm
Y-Type® HD Polyurethane	36–72	900–1800	5-1/4	133	9-1/2	241
Y-Type® HD Carbide	36–72	900–1800	5-1/4	133	9-3/4	248



Blade Specifications

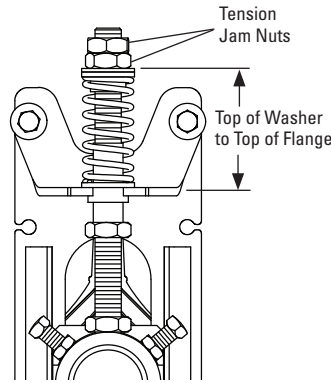
CUSHION	DUROMETER	TEMPERATURE RANGE
Purple (Standard)	83A	-30 to 180°F (-35 to 82° C)
White (Food Grade) ‡	83A	-30 to 180°F (-35 to 82°C)
Red (Ultra High-Temp)	93A	Up to 400°F (200°C) Spikes to 450°F (232°C)
Carbide	83A	-30 to 180°F (-35 to 82°C)

‡ All ingredients used in the polyurethane formulation of this blade comply with the relevant requirements of 21 CFR (FDA Code of Federal Regulations) for use in repeated bulk dry food applications

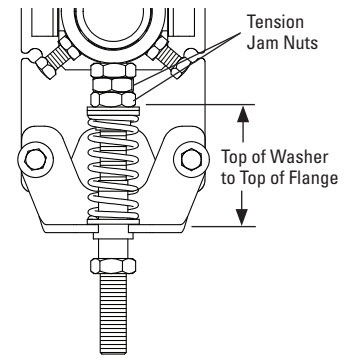
YST Spring Length Chart

Blade Width	Carbide Tip				Polyurethane Tip				
	Silver Springs		Black Springs		Green Springs		Blue Springs		
in.	mm	in.	mm	in.	mm	in.	mm	in.	mm
36	900	3 7/8	98	4	102	3	76	3 3/8	86
42	1050	3 3/4	95	3 7/8	98	2 7/8	73	3 1/4	83
48	1200	3 5/8	92	3 3/4	95	2 5/8	67	3 1/8	79
54	1350	3 1/2	89	3 3/4	95	2 1/2	64	3	76
60	1500	3 3/8	86	3 5/8	92	NA	NA	2 7/8	73
72	1800	3 1/4	83	3 1/2	89	NA	NA	2 1/2	64

Shading indicates preferred spring option.



Pull-Up Tensioner Configuration (HD)



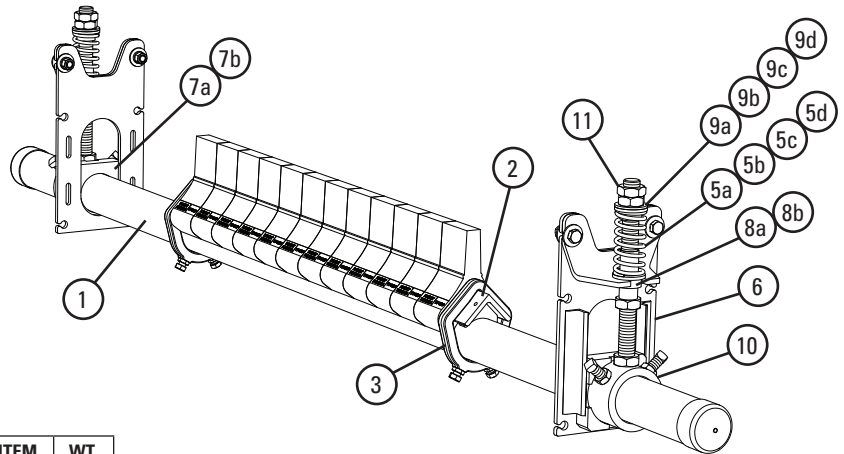
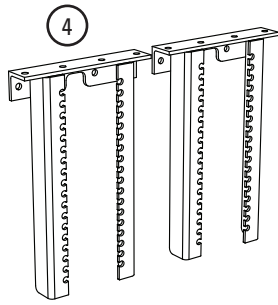
Push-Up Tensioner Configuration (HD)

Specifications:

- Maximum Belt Speed750 FPM (3.8 m/s)
- Usable Blade Wear Length.....3" (76 mm) (Polyurethane)
3/8" (10 mm) (Carbide)
- Blade MaterialsPurple: Polyurethane (proprietary blend for abrasion resistance and long wear)
White: Polyurethane (chemical resistant/food grade)
Red: Polyurethane (ultra high-temp)
Carbide: Tungsten Carbide
- Available for Belt Widths36 to 72" (900 to 1800 mm) Other sizes available upon request.
- CEMA Cleaner RatingClass 3 (Heavy-duty with polyurethane or carbide blades)

Replacement Parts List

Y-Type™ HD Heavy-Duty Secondary Cleaner with YST Tensioner



Replacement Parts

REF	DESCRIPTION	ORDERING NUMBER	ITEM CODE	WT. LBS.
1	36" (900mm) HD Pole	YTPHD-36/900	79799	60.0
	42" (1050mm) HD Pole	YTPHD-42/1050	79800	63.4
	48" (1200mm) HD Pole	YTPHD-48/1200	79801	66.8
	54" (1350mm) HD Pole	YTPHD-54/1350	79802	70.2
	60" (1500mm) HD Pole	YTPHD-60/1500	79803	73.6
	72" (1800mm) HD Pole	YTPHD-72/1800	79804	77.0
2	36" (900mm) HD Cushion Angle	YTAHD-36/900	79805	16.5
	42" (1050mm) HD Cushion Angle	YTAHD-42/1050	79806	18.9
	48" (1200mm) HD Cushion Angle	YTAHD-48/1200	79807	21.4
	54" (1350mm) HD Cushion Angle	YTAHD-54/1350	79808	23.9
	60" (1500mm) HD Cushion Angle	YTAHD-60/1500	79809	26.3
	72" (1800mm) HD Cushion Angle	YTAHD-72/1800	79810	31.3
3	Y-Type HD Angle Clamp* (2 ea.)	YTACHD	79835	4.8
4	YST HD Drop Bracket Kit (2 ea.)	YSTHDBK	79850	32.1
5a	YST HD Spring - Green	YSTHDS-GR	79797	0.5
5b	SST Spring - Silver	STS-S	75843	0.8
5c	YST HD Spring - Blue (Carbide Cleaners)	YSTHDS-BL	79798	0.6
5d	SST Spring - Black (Carbide Cleaners)	STS-B	75844	1.1
6	YST HD Mounting Bracket (incl. Angle Bracket)	YSTHDMB	79849	6.7
7a	YST HD Guide Block Kit (Pair)	YSTHDGBK	79851	1.0
7b	YST HD Guide Block Kit - UHT (Pair)	YSTHDGBK-R	91829	1.0
8a	YST HD Lower Bushing Kit (Pair)	YSTHDLBK	79852	0.1
8b	YST HD Lower Bushing Kit - UHT (Pair)	YSTHDLBK-R	91830	0.1
9a	YST HD Top Bushing Kit - White (Pair)	YSTHDBK-W	79853	0.1
9b	YST HD Top Bushing Kit - Black (Pair)	YSTHDBK-B	79856	0.1
9c	YST HD Top Bushing Kit - Green (Pair)	YSTHDBK-GR-R	91832	0.1
9d	YST HD Top Bushing Kit - Blue (Pair)	YSTHDBK-BL-R	91831	0.1
10	YST HD Pole Mount Kit*	YSTPHDMK	79854	7.8
11	YST HD Adjusting Rod Nut Kit	YSTANKHD	79858	0.6
-	YST Spring Tensioner - Silver (Pair) (incl. (2) ea. items 5b, 6, 10, 11; (1) ea. items 7a, 8a, 9a)	YSTHD-S	79840	33.4
-	YST Spring Tensioner - Black (Pair) (incl. (2) ea. items 5d, 6, 10, 11; (1) ea. items 7a, 8a, 9b)	YSTHD-BK	79842	34.1
-	YST Spring Tensioner - Green (Pair) (incl. (2) ea. items 5a, 6, 10, 11; (1) ea. items 7a, 8a, 9a)	YSTHD-GR	79839	32.8
-	YST Spring Tensioner - Blue (Pair) (incl. (2) ea. items 5c, 6, 10, 11; (1) ea. items 7a, 8a, 9b)	YSTHD-BL	79841	33.1
-	UHT YST Spring Tensioner - Green (Pair) (incl. (2) ea. items 5a, 6, 10, 11; (1) ea. items 7b, 8b, 9c)	YSTHD-GR-R	91833	32.8
-	UHT YST Spring Tensioner - Blue (Pair) (incl. (2) ea. items 5c, 6, 10, 11; (1) ea. items 7b, 8b, 9d)	YSTHD-BL-R	91834	33.1

*Hardware included
Lead time: 1 working day

Spring Tensioner Selection Chart

CLEANER BLADE WIDTH	79840 YSTHD-S	79842 YSTHD-BK	79839 YSTHD-GR	79841 YSTHD-BL	91833 YSTHD-GR-R	91834 YSTHD-BL-R
Carbide 36-54" (900-1350mm)	X					
Carbide 60-72" (1500-1800mm)		X				
Polyurethane 36-48" (900-1200mm)			X			
Polyurethane 54-72" (1350-1800mm)				X		
UHT 36-48" (900-1200mm)					X	
UHT 54-72" (1350-1800mm)						X

Product Ordering Information

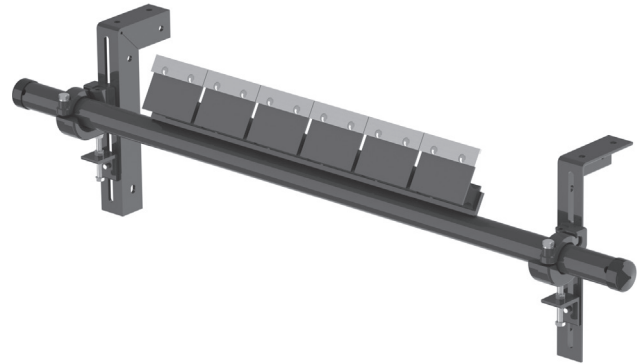
P-Type®
Secondary Cleaner

With C-Tips*

BELT WIDTH		ORDERING NUMBER	ITEM CODE	WT. LBS.
in.	mm			
18	450	PC18	74566	72.4
24	600	PC24	74567	79.3
30	750	PC30	74568	85.2
36	900	PC36	74569	92.1
42	1050	PC42	74570	105.0
48	1200	PC48	74571	111.8
54	1350	PC54	74572	122.2
60	1500	PC60	74573	128.1
72	1800	PC72	74574	139.9

*NOTE: C-Tips can be used on mechanically spliced and vulcanized belts.

Lead time: 1 working day

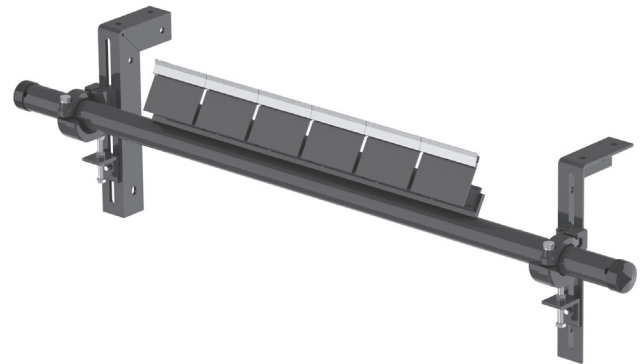


With V-Tips*

BELT WIDTH		ORDERING NUMBER	ITEM CODE	WT. LBS.
in.	mm			
18	450	PV-18	78453	72.4
24	600	PV-24	78415	79.3
30	750	PV-30	78417	85.2
36	900	PV-36	78419	92.1
42	1050	PV-42	78421	105.0
48	1200	PV-48	78423	111.8
54	1350	PV-54	78454	122.2
60	1500	PV-60	78455	128.1
72	1800	PV72	73438	139.9

*NOTE: V-Tips can be used ONLY on vulcanized belts.

Lead time: 1 working day



Replacement Tips

ORDERING NUMBER	ITEM CODE	WT. LBS.
ICT6	74535	0.7
PSA150	73156	1.0

Lead time: 1 working day

Tips Required per Cleaner Size

in.	18	24	30	36	42	48	54	60	72
mm	450	600	750	900	1050	1200	1350	1500	1800
No. C-Tips or V-Tips Required	3	4	5	6	7	8	9	10	12

Product Notes:

- **C-Tip:** specially formulated tungsten carbide blades to work with mechanical fasteners.
- **V-Tip:** for use on vulcanized belts only.
- Compact design: fits in small transfer areas and tight chutes.
- Tips set at a non-aggressive 70° angle to give quick relief for passing mechanical splices.

Product Ordering Information

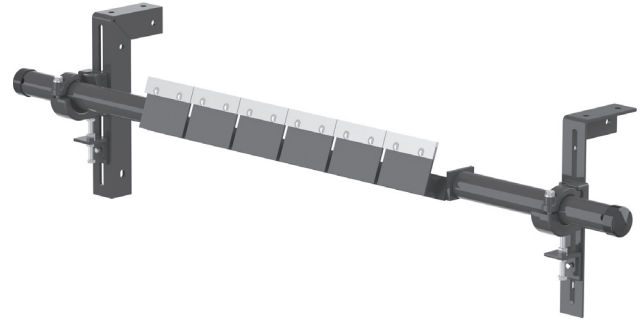
P-Type[®] LS Limited Space Secondary Cleaner

With C-Tips*

BELT WIDTH		ORDERING NUMBER	ITEM CODE	WT. LBS.
in.	mm			
18	450	PLSC18	75588	73.4
24	600	PLSC24	75589	80.3
30	750	PLSC30	75590	86.2
36	900	PLSC36	75591	93.1
42	1050	PLSC42	75592	100.0
48	1200	PLSC48	75593	106.9
54	1350	PLSC54	75594	113.8

*NOTE: C-Tips can be used on mechanically spliced and vulcanized belts.

Lead time: 1 working day



Replacement C-Tips

ORDERING NUMBER	ITEM CODE	WT. LBS.
ICT6	74535	0.7

Lead time: 1 working day

Tips Required per Cleaner Size

in.	18	24	30	36	42	48	54
mm	450	600	750	900	1050	1200	1350
No. C-Tips Required	3	4	5	6	7	8	9

Product Notes:

- LS = Limited Space. Requires only 5 1/2" (138 mm) of vertical clearance for installation.
- Not available in belt widths larger than 54" (1350 mm).

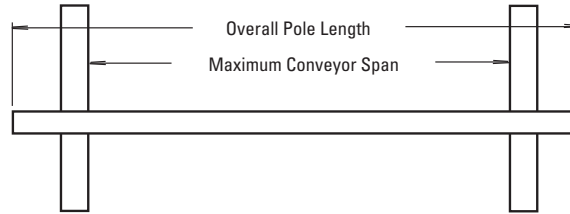
Specifications & Guidelines

P-Type® Secondary Cleaner

Pole Length Specifications

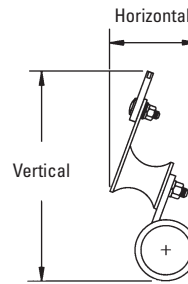
CLEANER SIZE		POLE LENGTH		MAXIMUM CONVEYOR SPAN	
in.	mm	in.	mm	in.	mm
18	450	48	1200	43	1075
24	600	54	1350	49	1225
30	750	60	1500	55	1375
36	900	66	1650	61	1525
42	1050	72	1800	67	1675
48	1200	78	1950	73	1825
54	1350	88	2200	83	2075
60	1500	94	2350	89	2225
72	1800	106	2650	101	2525

Pole Diameter - 2-3/8" (60 mm)

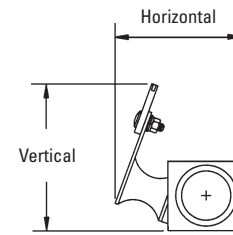


Clearance Guidelines for Installation

CLEANER TYPE	BELT WIDTH/ CLEANER SIZE		HORIZONTAL CLEARANCE REQUIRED		VERTICAL CLEARANCE REQUIRED	
	in.	mm	in.	mm	in.	mm
P-Type®	18-72	450-1800	4	100	8	200
P-Type® LS	18-54	450-1350	5	125	5 1/2	138



P-Type®



P-Type® LS

P-Type Cushion Specifications

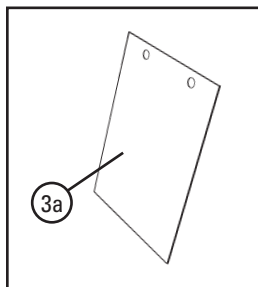
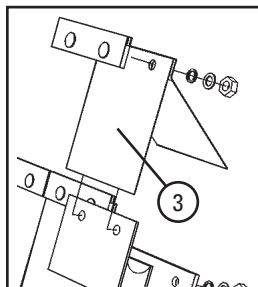
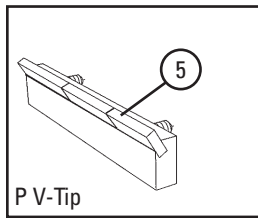
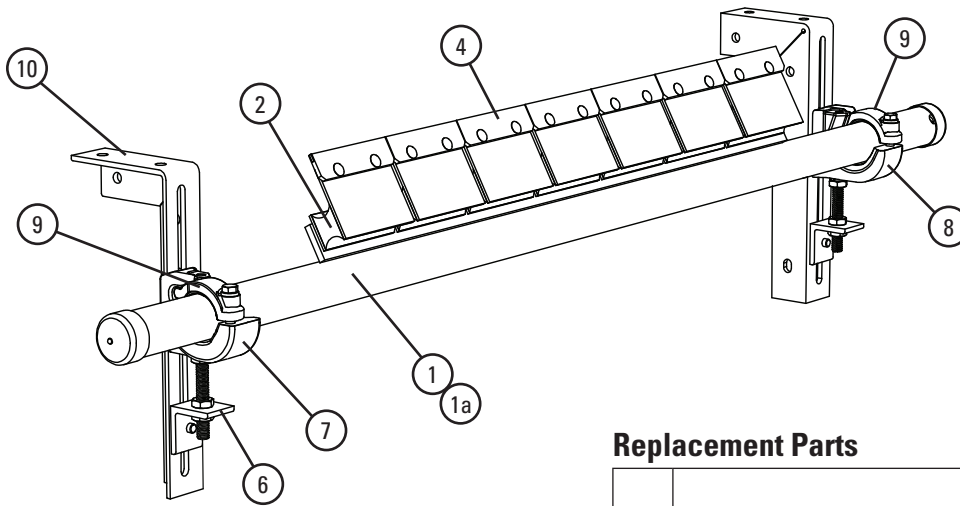
CUSHION	DUROMETER	TEMPERATURE RANGE
Standard	55A	-30 to 180°F (-35 to 82° C)

Specifications:

- Maximum Belt Speed1000 FPM (5 m/s)
- Temperature Rating-30 to 180°F (-35 to 82°C)
- Usable Blade Wear Length.....3/8" (9 mm)
- Blade MaterialsC-Tip: Impact Resistant Tungsten Carbide (works with mechanical fasteners)
V-Tip: Long Life Tungsten Carbide (works on vulcanized belts only)
- Available for Belt WidthsP-Type®: 18 to 72" (450 to 1800 mm)
P-Type® LS: 18 to 54" (450 to 1350 mm)
Other sizes available upon request.
- CEMA Cleaner RatingClass 3

Replacement Parts List

P-Type®
Secondary Cleaner



Replacement Parts

REF	DESCRIPTION	ORDERING NUMBER	ITEM CODE	WT. LBS.
1	18" (450mm) Pole	PP-18	78414	22.5
	24" (600mm) Pole	PP-24	78416	26.0
	30" (750mm) Pole	PP-30	78418	32.3
	36" (900mm) Pole	PP-36	78420	33.0
	42" (1050mm) Pole	PP-42	78422	43.0
	48" (1200mm) Pole	PP-48	78424	47.5
	54" (1350mm) Pole	PP-54	78425	55.0
	60" (1500mm) Pole	PP-60	78451	58.0
	72" (1800mm) Pole	PP72	73017	64.0
1a	18" (450mm) LS Pole	PLSP18	75595	32.3
	24" (600mm) LS Pole	PLSP24	75596	36.0
	30" (750mm) LS Pole	PLSP30	75597	38.7
	36" (900mm) LS Pole	PLSP36	75598	42.4
	42" (1050mm) LS Pole	PLSP42	75599	46.1
	48" (1200mm) LS Pole	PLSP48	75600	49.8
54" (1350mm) LS Pole	PLSP54	75601	53.5	
2	P2 C-Tip Cushion*	PHA	73626	2.0
3	P Polyshield	PPS6	73024	0.5
3a	P SS Shield	PSSS	74773	0.5
4	C-Tip* Kit (1 ea.)	ICT6	74535	0.7
5	P V-Tip* (for vulcanized belts only)	PSA150	73156	1.0
6	Adjusting Bracket Kit* (1 ea.)	PAB	75513	1.5
7	Pole Clamp Kit - Left* (1 ea.) (incl. item 9)	CCKL	79224	6.8
8	Pole Clamp Kit - Right* (1 ea.) (incl. item 9)	CCKR	79228	6.8
9	Cradle Clamp Top Strap (1 ea.) (for use on left or right Pole Clamp Kit)	CCKTS	79232	1.1
10	Mounting Bracket Kit (1 Right and 1 Left)	EZS2MBK	75666	13.0
-	Cradle Clamp Mounting Kit* (incl. (2) ea. item 6; (1) ea. items 7, 8 & 10)	CCMK	78919	33.0

*Hardware included
Lead time: 1 working day

Tips Required per Cleaner Size

in.	18	24	30	36	42	48	54	60	72
mm	450	600	750	900	1050	1200	1350	1500	1800
No. C-Tips or V-Tips Required	3	4	5	6	7	8	9	10	12

Product Ordering Information

R-Type® Reversing Secondary Cleaner

With C-Tips*

BELT WIDTH		ORDERING NUMBER	ITEM CODE	WT. LBS.
in.	mm			
18	450	RC18	74618	72.8
24	600	RC24	74619	79.3
30	750	RC30	74620	85.2
36	900	RC36	74621	91.9
42	1050	RC42	74622	104.9
48	1200	RC48	74623	113.5
54	1350	RC54	74624	121.1
60	1500	RC60	74625	129.8
72	1800	RC72	74626	141.1

*NOTE: C-Tips can be used on mechanically spliced and vulcanized belts.

Lead time: 1 working day



With V-Tips*

BELT WIDTH		ORDERING NUMBER	ITEM CODE	WT. LBS.
in.	mm			
18	450	RV-18	78402	72.4
24	600	RV-24	78403	78.7
30	750	RV-30	78404	84.6
36	900	RV-36	78405	91.1
42	1050	RV-42	78406	104.0
48	1200	RV-48	78407	113.3
54	1350	RV-54	78408	119.9
60	1500	RV-60	78409	128.5
72	1800	RV-72	74641	139.7

*NOTE: V-Tips can be used ONLY on vulcanized belts.

Lead time: 1 working day

Replacement Tips

ORDERING NUMBER	ITEM CODE	WT. LBS.
ICT6	74535	0.7
RSA150	73628	1.3

Lead time: 1 working day

Tips Required per Cleaner Size

in.	18	24	30	36	42	48	54
mm	450	600	750	900	1050	1200	1350
No. C-Tips or V-Tips Required	3	4	5	6	7	8	9

Product Notes:

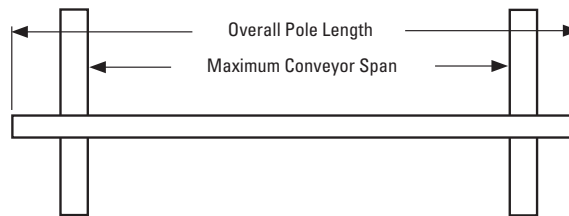
- Two-way cushions allow cleaning in both directions.
- Tungsten carbide tips for long wear and superior cleaning.

Specifications & Guidelines

Pole Length Specifications

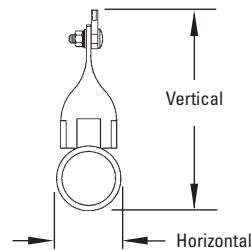
CLEANER SIZE		POLE LENGTH		MAXIMUM CONVEYOR SPAN	
in.	mm	in.	mm	in.	mm
18	450	48	1200	43	1075
24	600	54	1350	49	1225
30	750	60	1500	55	1375
36	900	66	1650	61	1525
42	1050	72	1800	67	1675
48	1200	78	1950	73	1825
54	1350	88	2200	83	2075
60	1500	94	2350	89	2225
72	1800	106	2650	101	2525

Pole Diameter - 2-3/8" (60 mm)



Clearance Guidelines for Installation

BELT WIDTH/ CLEANER SIZE		HORIZONTAL CLEARANCE REQUIRED		VERTICAL CLEARANCE REQUIRED	
in.	mm	in.	mm	in.	mm
18-72	450-1800	4	100	8	200



R-Type Cushion Specifications

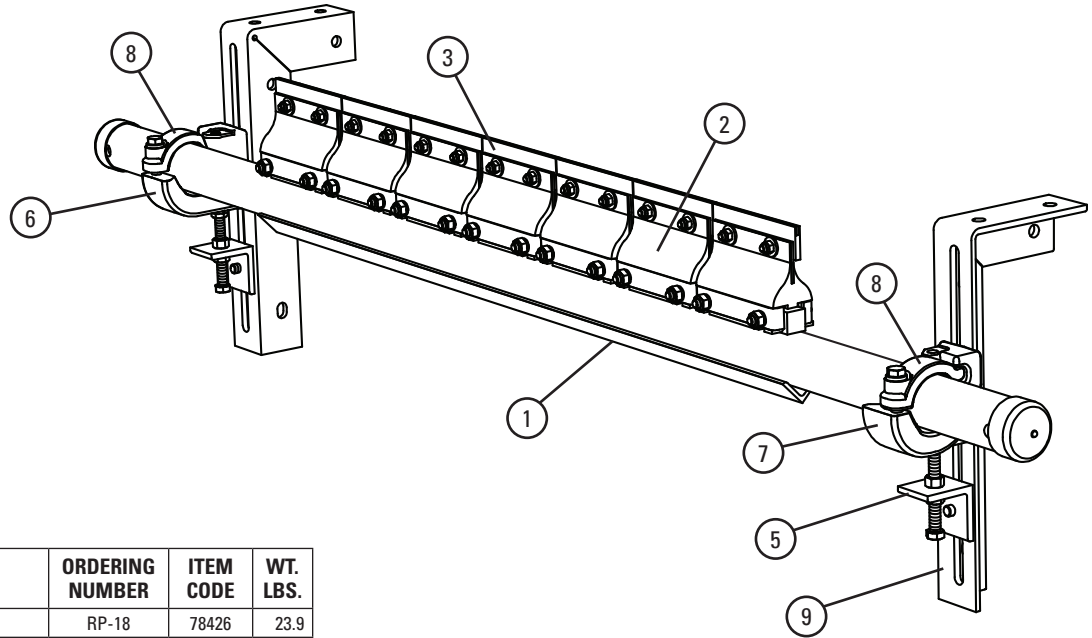
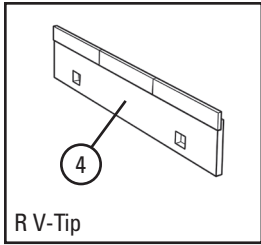
CUSHION	DUROMETER	TEMPERATURE RANGE
Standard	55A	-30 to 180°F (-35 to 82°C)

Specifications:

- Maximum Belt Speed 1000 FPM (5 m/s)
- Temperature Rating -30 to 180°F (-35 to 82°C)
- Usable Blade Wear Length 3/8" (9 mm)
- Blade Materials C-Tip: Impact Resistant Tungsten Carbide (works with mechanical fasteners)
V-Tip: Long Life Tungsten Carbide (works on vulcanized belts only)
- Available for Belt Widths 18 to 72" (450 to 1800 mm) Other sizes available upon request.
- CEMA Cleaner Rating Class 4

Replacement Parts List

R-Type®
Secondary Cleaner



Replacement Parts

REF	DESCRIPTION	ORDERING NUMBER	ITEM CODE	WT. LBS.
1	18" (450mm) Pole	RP-18	78426	23.9
	24" (600mm) Pole	RP-24	78427	27.8
	30" (750mm) Pole	RP-30	78428	31.1
	36" (900mm) Pole	RP-36	78429	35.2
	42" (1050mm) Pole	RP-42	78430	45.6
	48" (1200mm) Pole	RP-48	78431	50.6
	54" (1350mm) Pole	RP-54	78432	56.6
	60" (1500mm) Pole	RP-60	78433	62.7
	72" (1800mm) Pole	RP-72	74612	71.4
2	R2 C-Tip Cushion*	RSA	76249	2.0
3	C-Tip Kit* (1 ea.)	ICT6	74535	0.7
4	R V-Tip* (for vulcanized belts only)	RSA150	73628	1.3
5	Adjusting Bracket Kit* (1 ea.)	PAB	75513	1.5
6	Pole Clamp Kit Left* (1 ea.) (incl. 1 item 8)	CCKL	79224	6.8
7	Pole Clamp Kit Right* (1 ea.) (incl. 1 item 8)	CCKR	79228	6.8
8	Pole Clamp Top Strap (1 ea.) (for use on left or right Pole Clamp Kit)	CCKTS	79232	1.1
9	Mounting Bracket Kit (1 Right and 1 Left)	EZS2MBK	75666	13.0
-	Cradle Clamp Mounting Kit* (incl. (2) ea. item 5; (1) ea. items 6, 7 & 9)	CCMK	78919	33.0

*Hardware included

Lead time: 1 working day

Tips Required per Cleaner Size

in.	18	24	30	36	42	48	54	60	72
mm	450	600	750	900	1050	1200	1350	1500	1800
No. C-Tips or V-Tips Required	3	4	5	6	7	8	9	10	12

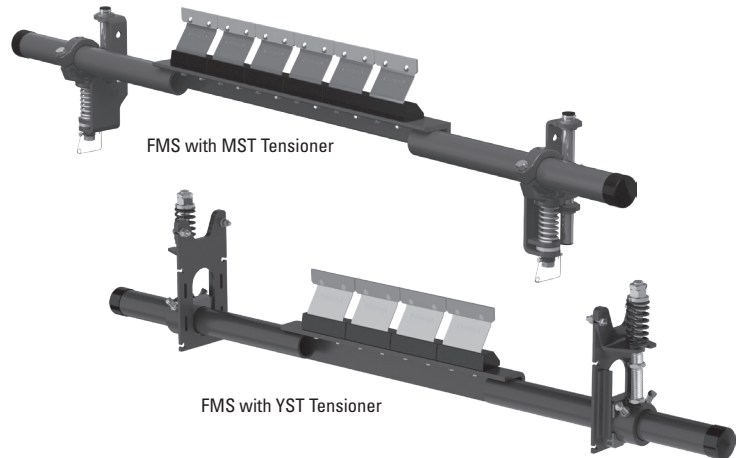
Product Ordering Information

FMS Secondary Cleaner with MST/YST Tensioners

With MST Tensioner & C-Tips

BELT WIDTH		ORDERING NUMBER	ITEM CODE	WT. LBS.
in.	mm			
18	450	FMS-18	79637	98.7
24	600	FMS-24	79638	111.2
30	750	FMS-30	79639	123.6
36	900	FMS-36	79640	136.1
42	1050	FMS-42	79641	148.6
48	1200	FMS-48	79642	161.1
54	1350	FMS-54	79643	173.5
60	1500	FMS-60	79644	186.0
72	1800	FMS-72	79645	211.0

Lead time: 1 working day



With MST Tensioner & V-Tips

BELT WIDTH		ORDERING NUMBER	ITEM CODE	WT. LBS.
in.	mm			
18	450	FMS-18V	79646	98.7
24	600	FMS-24V	79647	111.2
30	750	FMS-30V	79648	123.6
36	900	FMS-36V	79649	136.1
42	1050	FMS-42V	79650	148.6
48	1200	FMS-48V	79651	161.1
54	1350	FMS-54V	79652	173.5
60	1500	FMS-60V	79653	186.0
72	1800	FMS-72V	79654	211.0

Lead time: 1 working day

With YST Tensioner & C-Tips

BELT WIDTH		ORDERING NUMBER	ITEM CODE	WT. LBS.
in.	mm			
18	450	FMS-18-YST	90545	98.7
24	600	FMS-24-YST	90546	111.2
30	750	FMS-30-YST	90547	123.6
36	900	FMS-36-YST	90548	136.1
42	1050	FMS-42-YST	90549	148.6
48	1200	FMS-48-YST	90550	161.1
54	1350	FMS-54-YST	90551	173.5
60	1500	FMS-60-YST	90552	186.0
72	1800	FMS-72-YST	90553	211.0

Lead time: 1 working day

Replacement Tips

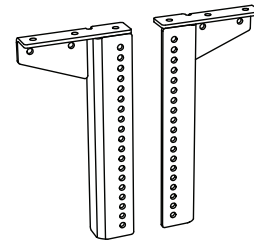
ORDERING NUMBER	ITEM CODE	WT. LBS.
ICT6	74535	0.7
RSA150	73628	1.3

Lead time: 1 working day

Optional MST Drop Brackets (2)

ORDERING NUMBER	ITEM CODE	WT. LBS.
MSTDB	79434	27.7

Lead time: 1 working day



Tips Required per Cleaner Size

in.	18	24	30	36	42	48	54	60	72
mm	450	600	750	900	1050	1200	1350	1500	1800
No. C-Tips or V-Tips Required	3	4	5	6	7	8	9	10	12

Product Notes:

- Recommended for medium-duty conveyor applications.
- Pole Length: Belt width plus 54" (1350 mm). For longer requirements, see Minline Installation Accessories – Pole Extender Kit on page 138.
- Cushion is designed to maintain continuous blade-to-belt contact and quick relief from passing mechanical splices.
- C-Tips are for mechanically fastened or vulcanized belts. V-Tips are for vulcanized belts only.
- Visual Blade Tension Check: Measure the tension spring and refer to Spring Length Chart for the correct length for best cleaning performance.
- Tensioner: MST Spring Tensioner for self-adjusting tensioning with easy retensioning adjustments.
- To make cleaner installation easier and quicker, see Optional Drop Brackets.

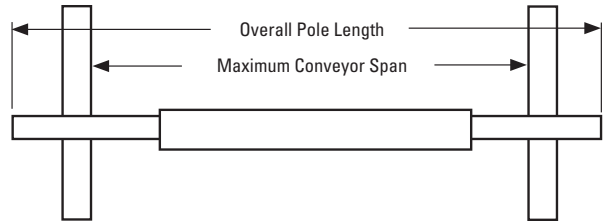
Specifications & Guidelines

FMS Secondary Cleaner with MST/YST Tensioners

Pole Length Specifications*

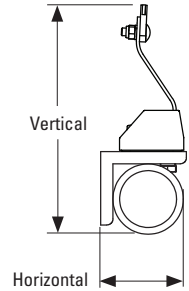
CLEANER SIZE		BLADE WIDTH		POLE LENGTH		MAXIMUM CONVEYOR SPAN	
in.	mm	in.	mm	in.	mm	in.	mm
18	450	18	450	72	1800	62	1550
24	600	24	600	78	1950	68	1700
30	750	30	750	84	2100	74	1850
36	900	36	900	90	2250	80	2000
42	1050	42	1050	96	2400	86	2150
48	1200	48	1200	102	2550	92	2300
54	1350	54	1350	108	2700	98	2450
60	1500	60	1500	114	2850	104	2600
72	1800	72	1800	126	3150	116	2900

*For special extra long pole length requirements a Pole Extender Kit (#76024) is available that provides 30" (750 mm) of extended pole length. See page (138).
Pole Diameter - 2-7/8" (73 mm)



Clearance Guidelines for Installation

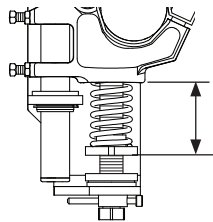
HORIZONTAL CLEARANCE REQUIRED		VERTICAL CLEARANCE REQUIRED	
in.	mm	in.	mm
3-1/2	89	10	245



MST Tensioner Spring Length Chart

Blade Width		White Springs		Silver Springs		Black Springs	
in.	mm	in.	mm	in.	mm	in.	mm
18	450	2 7/8	73	3 1/2	89	3 1/2	89
24	600	2 5/8	67	3 3/8	86	3 1/2	89
30	750	2 3/8	60	3 1/4	83	3 3/8	86
36	900	2 1/8	54	3 1/8	79	3 1/4	83
42	1050	N/A	N/A	3	76	3 1/8	79
48	1200	N/A	N/A	2 7/8	73	3 1/8	79
54	1350	N/A	N/A	2 3/4	70	3	76
60	1500	N/A	N/A	2 3/4	70	2 7/8	73
72	1800	N/A	N/A	N/A	N/A	2 3/4	70

Shading indicates preferred spring option.

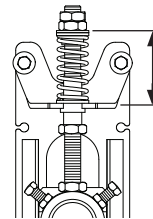


Bottom of Pole Mount to Bottom of Spring Support Plate

FMS with YST HD Spring Length Chart

Blade Width		Green Springs		Blue Springs		Silver Springs		Black Springs	
in.	mm	in.	mm	in.	mm	in.	mm	in.	mm
18	450	3 1/8	79	3 3/8	85	N/A	N/A	N/A	N/A
24	600	2 3/4	69	3 1/8	79	3 3/4	95	3 7/8	98
30	750	2 1/2	63	2 7/8	73	3 5/8	92	3 3/4	95
36	900	N/A	N/A	2 5/8	66	3 1/2	88	3 5/8	92
42	1050	N/A	N/A	2 3/8	60	3 3/8	85	3 5/8	92
48	1200	N/A	N/A	N/A	N/A	3 1/4	82	3 1/2	88
54	1350	N/A	N/A	N/A	N/A	3 1/8	79	3 3/8	85
60	1500	N/A	N/A	N/A	N/A	3	76	3 1/4	82
72	1800	N/A	N/A	N/A	N/A	N/A	N/A	3 1/8	79

Shading indicates preferred spring option.



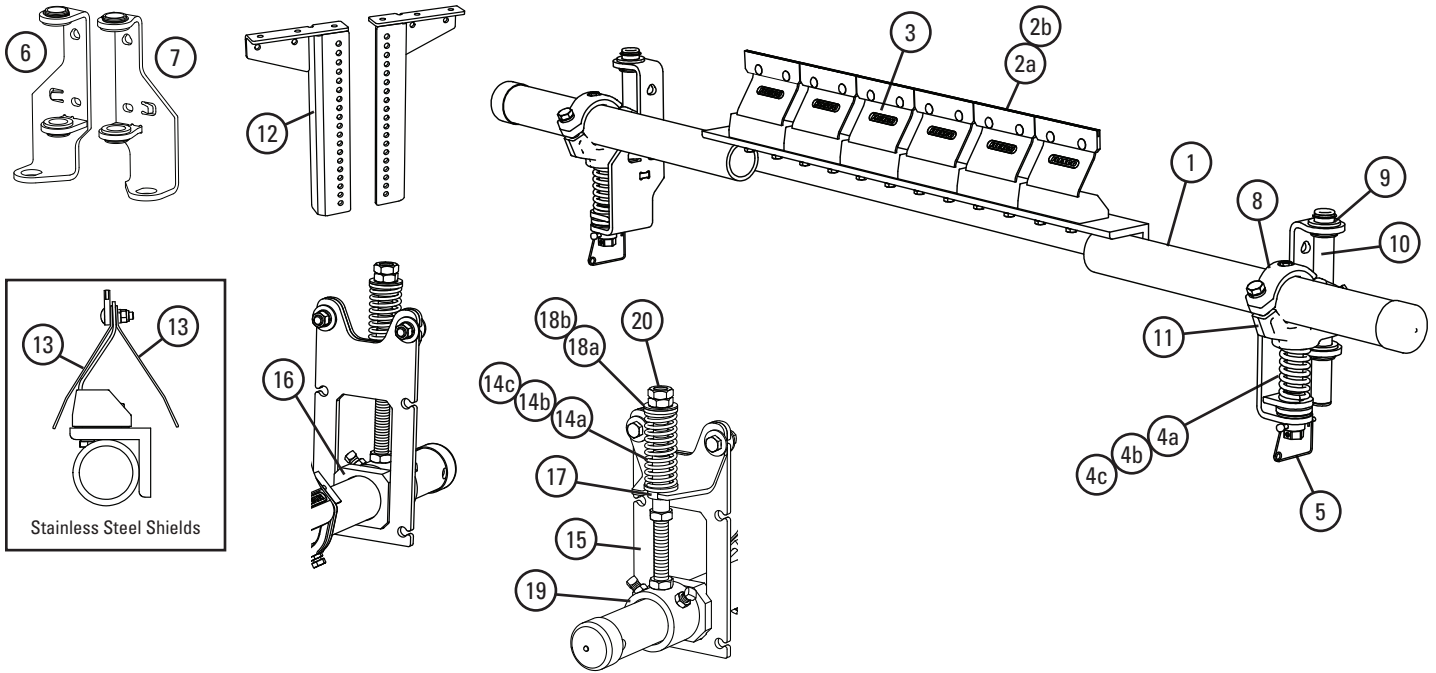
Top of Washer to Top of Flange

Specifications:

- Maximum Belt Speed 1000 FPM (5 m/s)
- Temperature Rating -30 to 180°F (-35 to 82°C)
- Usable Blade Wear Length 3/8" (9 mm)
- Blade Materials C-Tip: Impact Resistant Tungsten Carbide (works with mechanical fasteners)
V-Tip: Long Life Tungsten Carbide (for vulcanized belts only)
- Available for Belt Widths 18 to 72" (450 to 1800 mm) Other sizes available upon request.
- CEMA Cleaner Rating Class 4

Replacement Parts List

FMS Secondary Cleaner with MST/YST Tensioners



Replacement Parts

REF	DESCRIPTION	ORDERING NUMBER	ITEM CODE	WT. LBS.
1	18" (450mm) Pole	MHSP-18	76178	46.2
	24" (600mm) Pole	MHSP-24	75918	51.7
	30" (750mm) Pole	MHSP-30	75919	57.2
	36" (900mm) Pole	MHSP-36	75920	62.8
	42" (1050mm) Pole	MHSP-42	75921	68.3
	48" (1200mm) Pole	MHSP-48	75922	73.9
	54" (1350mm) Pole	MHSP-54	75923	79.4
	60" (1500mm) Pole	MHSP-60	75924	85.0
	72" (1800mm) Pole	MHSP-72	75925	96.1
2a	C-Tip*	ICT6	74535	0.7
2b	V-Tip* (for vulcanized belts only)	RSA150	73628	1.3
3	FMS Cushion Kit*	FMSC	79699	4.2
4a	Tension Spring – White (1 ea.) for belts 18–30" (450–750mm)	STS-W	75846	0.5
4b	Tension Spring – Silver (1 ea.) for belts 36–54" (900–1350mm)	STS-S	75843	0.8
4c	Tension Spring – Black (1 ea.) for belts 60–72" (1500–1800mm)	STS-B	75844	1.0
5	MST Adjusting Mechanism	MSTAM	79435	2.8
6	MST Mounting Bracket LH (incl. bushings)	MST-MBL	79436	5.7
7	MST Mounting Bracket RH (incl. bushings)	MST-MBR	79437	5.7
8	MST HD Clamp*	MSTCHD	79439	2.5
9	MST Bushing Kit (incl. 4 bushings)	MSTBK	79440	.2
10	MST Guide Pole	MSTGT	79441	1.5
11	MST HD Pole Mount*	MSTPMHD	79451	7.3
12	MST Drop Brackets (2)	MSTDB	79434	27.7
13	P SS Shield	PSSS	74773	.5
-	MST HD Spring Tensioner – White* (incl. (1) ea. items 6, 7; (2) ea. items 4a, 5, 8, 10 & 11)	MSTHD-W	79431	36.8
-	MST HD Spring Tensioner – Silver* (incl. (1) ea. items 6, 7; (2) ea. items 4b, 5, 8, 10 & 11)	MSTHD-S	79432	37.5
-	MST HD Spring Tensioner – Black* (incl. (1) ea. items 6, 7; (2) ea. items 4c, 5, 8, 10 & 11)	MSTHD-B	79433	38.1

*Hardware Included

Lead time: 1 working day

Replacement Parts

REF	DESCRIPTION	ORDERING NUMBER	ITEM CODE	WT. LBS.
14a	YST Spring Yellow	YSTS-Y	79795	0.3
14b	YST Spring Purple	YSTS-P	79796	0.4
14c	YST Spring Silver (Carbide Cleaners)	CTS-S	77743	0.5
15	YST Mounting Bracket (incl. Angle Bracket)	YSTMB	79843	3.3
16	YST Guide Block Kit (Pair)	YSTGBK	79845	0.4
17	YST Lower Bushing Kit (Pair)	YSTLBK	79846	0.1
18a	YST Top Bushing Kit White (Pair)	YSTTBK-W	79847	0.1
18b	YST Top Bushing Kit Black (Pair)	YSTTBK-B	79855	0.1
19	YST Pole Mount Kit*	YSTPMK	79848	4.3
20	YST Adjusting Rod Nut Kit	YSTANK	79857	0.2
-	YST Spring Tensioner – Yellow (Pair) (incl. (2) ea. item 14a, 15, 19, 20; (1) ea. items 16, 17, 18a)	YST-Y	79836	18.2
-	YST Spring Tensioner – Purple (Pair) (incl. (2) ea. item 14b, 15, 19, 20; (1) ea. items 16, 17, 18a)	YST-P	79837	18.5
-	YST Spring Tensioner – Silver (Pair) (incl. (2) ea. item 14c, 15, 19, 20; (1) ea. items 16, 17, 18b)	YST-S	79838	18.8

Lead time: 1 working day

Spring Tensioner Selection Chart

CLEANER SIZE	79431 MSTHD-W	79432 MSTHD-S	79433 MSTHD-B	79836 YST-Y	79837 YST-P	79838 YST-S
FMS 18–30" (450–750mm)	X			X		
FMS 36–54" (900–1350mm)		X			X	
FMS 60–72" (1500–1800mm)			X			X

Product Ordering Information

MHS Heavy-Duty Secondary Cleaner with Polyurethane Cushion Shields and SST XD Tensioners

With C-Tips

BELT WIDTH		ORDERING NUMBER	ITEM CODE	WT. LBS.
in.	mm			
24	600	MHS-24RU	79738	125.8
30	750	MHS-30RU	79739	131.0
36	900	MHS-36RU	79740	141.8
42	1050	MHS-42RU	79741	152.5
48	1200	MHS-48RU	79742	163.3
54	1350	MHS-54RU	79743	174.0
60	1500	MHS-60RU	79744	184.8
72	1800	MHS-72RU	79745	211.9
84	2100	MHS-84RU	79746	247.2
96	2400	MHS-96RU	79747	282.5

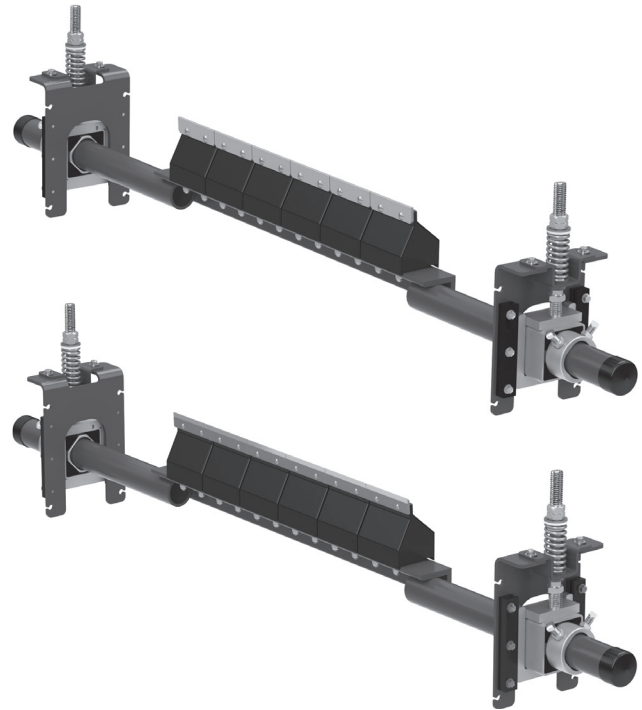
Lead time: 1 working day

With V-Tips*

BELT WIDTH		ORDERING NUMBER	ITEM CODE	WT. LBS.
in.	mm			
18	450	MHS-18RUV	79748	120.6
24	600	MHS-24RUV	79749	125.8
30	750	MHS-30RUV	79750	131.0
36	900	MHS-36RUV	79751	141.8
42	1050	MHS-42RUV	79752	152.5
48	1200	MHS-48RUV	79753	163.3
54	1350	MHS-54RUV	79754	174.0
60	1500	MHS-60RUV	79755	184.8
72	1800	MHS-72RUV	79756	211.9
84	2100	MHS-84RUV	79757	247.3
96	2400	MHS-96RUV	79758	282.7

*NOTE: V-Tips can be used ONLY on vulcanized belts.

Lead time: 1 working day



Replacement Tips

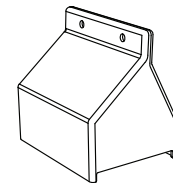
ORDERING NUMBER	ITEM CODE	WT. LBS.
ICT6	74535	0.7
RSA150	73628	1.3

Lead time: 1 working day

Replacement Cushion Shield

ORDERING NUMBER	ITEM CODE	WT. LBS.
UPFCC	79320	0.3

Lead time: 1 working day



Polyurethane Cushion Shield

Tips Required per Cleaner Size

in.	18	24	30	36	42	48	54	60	72	84	96
mm	450	600	750	900	1050	1200	1350	1500	1800	2100	2400
No. C-Tips or V-Tips Required	3	4	5	6	7	8	9	10	12	14	16

Product Notes:

- Heavy-duty design to deliver maximum cleaning efficiency on the most demanding, abusive beltlines.
- Pole Length: Belt width plus 54" (1350 mm). For longer requirements, see Minline Installation Accessories – Pole Extender Kit on page 138.
- Patented PowerFlex™ cushion design to maintain continuous blade-to-belt contact and quick relief from passing mechanical splices.
- C-Tips are for mechanically fastened or vulcanized belts. V-Tips are for vulcanized belts only.
- Visual Blade Tension Check: Measure the tension spring and refer to Spring Length Chart on mounting base for the correct length for best cleaning performance.
- Tensioner: SST XD Spring Tensioner for self-adjusting tensioning with easy retensioning adjustments.
- To make cleaner installation easier and quicker, see Optional Mounting Kits on page 138.

Product Ordering Information

MHS Heavy-Duty Secondary Cleaner with SST XD Tensioners

With C-Tips

BELT WIDTH		ORDERING NUMBER	ITEM CODE	WT. LBS.
in.	mm			
24	600	MHS-24	75910	124.6
30	750	MHS-30	75911	129.5
36	900	MHS-36	75912	140.0
42	1050	MHS-42	75913	150.4
48	1200	MHS-48	75914	160.9
54	1350	MHS-54	75915	171.3
60	1500	MHS-60	75916	181.8
72	1800	MHS-72	75917	208.3
84	2100	MHS-84	76803	243.0
96	2400	MHS-96	79043	277.7

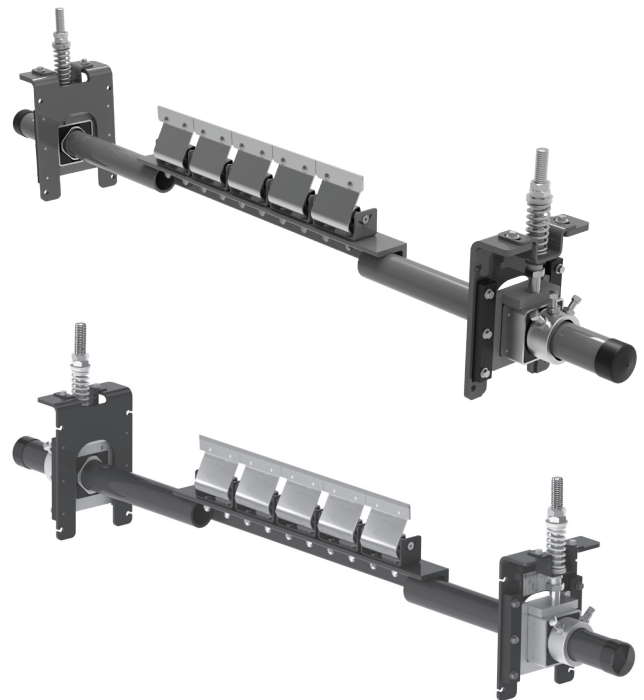
Lead time: 1 working day

With V-Tips*

BELT WIDTH		ORDERING NUMBER	ITEM CODE	WT. LBS.
in.	mm			
18	450	MHS-18V	76169	119.7
24	600	MHS-24V	76170	124.6
30	750	MHS-30V	76171	129.5
36	900	MHS-36V	76172	140.0
42	1050	MHS-42V	76173	150.4
48	1200	MHS-48V	76174	160.9
54	1350	MHS-54V	76175	171.3
60	1500	MHS-60V	76176	181.8
72	1800	MHS-72V	76177	208.3
84	2100	MHS-84V	76804	243.1
96	2400	MHS-96V	79044	277.9

*NOTE: V-Tips can be used ONLY on vulcanized belts.

Lead time: 1 working day



Optional Mounting Kits

DESCRIPTION	ORDERING NUMBER	ITEM CODE	WT. LBS.
Standard Mounting Bracket Kit *	SSTSMB	76071	34.3
Long Mounting Bracket Kit *	SSTLMB	76072	43.5
Optional Top Angle Kit *	SSTOTA	76073	10.5

*Hardware Included

Lead time: 1 working day

Replacement Tips

ORDERING NUMBER	ITEM CODE	WT. LBS.
ICT6	74535	0.7
RSA150	73628	1.3

Lead time: 1 working day

Tips Required per Cleaner Size

in.	18	24	30	36	42	48	54	60	72	84	96
mm	450	600	750	900	1050	1200	1350	1500	1800	2100	2400
No. C-Tips or V-Tips Required	3	4	5	6	7	8	9	10	12	14	16

Product Notes:

- Heavy-duty design to deliver maximum cleaning efficiency on the most demanding, abusive beltlines.
- Pole Length: Belt width plus 54" (1350 mm). For longer requirements, see Meline Installation Accessories – Pole Extender Kit on page 138.
- Patented PowerFlex™ cushion design to maintain continuous blade-to-belt contact and quick relief from passing mechanical splices.
- C-Tips are for mechanically fastened or vulcanized belts. V-Tips are for vulcanized belts only.
- Visual Blade Tension Check: Measure the tension spring and refer to Spring Length Chart on mounting base for the correct length for best cleaning performance.
- Tensioner: SST XD Spring Tensioner for self-adjusting tensioning with easy retensioning adjustments.
- To make cleaner installation easier and quicker, see Optional Mounting Kits on page 138.

Product Ordering Information

MHS Heavy-Duty Secondary Cleaner with MST Tensioners

With V-Tips*

BELT WIDTH		ORDERING NUMBER	ITEM CODE	WT. LBS.
in.	mm			
18	450	MHS-18V-MST	79442	105.1
24	600	MHS-24V-MST	79443	115.1
30	750	MHS-30V-MST	79444	125.0
36	900	MHS-36V-MST	79445	135.5
42	1050	MHS-42V-MST	79446	145.4
48	1200	MHS-48V-MST	79447	155.3
54	1350	MHS-54V-MST	79448	169.4
60	1500	MHS-60V-MST	79449	180.4
72	1800	MHS-72V-MST	79450	201.1

*NOTE: V-Tips can be used ONLY on vulcanized belts.
Lead time: 1 working day



Reversing with V-Tips*

BELT WIDTH		ORDERING NUMBER	ITEM CODE	WT. LBS.
in.	mm			
18	450	MHS-18RMV	79624	105.9
24	600	MHS-24RMV	79625	116.2
30	750	MHS-30RMV	79626	126.4
36	900	MHS-36RMV	79627	137.2
42	1050	MHS-42RMV	79628	147.4
48	1200	MHS-48RMV	79629	157.5
54	1350	MHS-54RMV	79630	171.9
60	1500	MHS-60RMV	79631	183.2
72	1800	MHS-72RMV	79632	204.5

*NOTE: V-Tips can be used ONLY on vulcanized belts.
Lead time: 1 working day

Replacement Tips

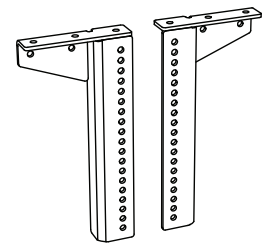
ORDERING NUMBER	ITEM CODE	WT. LBS.
RSA150	73628	1.3

Lead time: 1 working day

Optional MST Drop Brackets (2)

ORDERING NUMBER	ITEM CODE	WT. LBS.
MSTDB	79434	27.7

Lead time: 1 working day



Tips Required per Cleaner Size

in.	18	24	30	36	42	48	54	60	72
mm	450	600	750	900	1050	1200	1350	1500	1800
No. C-Tips or V-Tips Required	3	4	5	6	7	8	9	10	12

Product Notes:

- Heavy-duty design to deliver maximum cleaning efficiency on the most demanding, abusive beltlines.
- Pole Length: Belt width plus 54" (1350 mm). For longer requirements, see Minline Installation Accessories – Pole Extender Kit on page 138.
- Patented PowerFlex™ cushion design to maintain continuous blade-to-belt contact and quick relief from passing mechanical splices.
- V-Tips are for vulcanized belts only.
- Visual Blade Tension Check: Measure the tension spring and refer to Spring Length Chart on mounting base for the correct length for best cleaning performance.
- Tensioner: MST Spring Tensioner for self-adjusting tensioning with easy retensioning adjustments.
- To make cleaner installation easier and quicker, see Optional Mounting Kits on page 138.

Product Ordering Information

MHS Reversing Heavy-Duty Secondary Cleaner with SST XD/SAT XD Tensioners

With SST XD Tensioner & C-Tips

BELT WIDTH		ORDERING NUMBER	ITEM CODE	WT. LBS.
in.	mm			
24	600	MHS-24R	76613	128.2
30	750	MHS-30R	76614	134.0
36	900	MHS-36R	76615	145.4
42	1050	MHS-42R	76616	156.7
48	1200	MHS-48R	76617	168.1
54	1350	MHS-54R	76618	179.4
60	1500	MHS-60R	76619	190.8
72	1800	MHS-72R	76620	219.1
84	2100	MHS-84R	76621	247.4
96	2400	MHS-96R	79045	275.7

Lead time: 1 working day

With SST XD Tensioner & V-Tips*

BELT WIDTH		ORDERING NUMBER	ITEM CODE	WT. LBS.
in.	mm			
18	450	MHS-18RV	76646	122.4
24	600	MHS-24RV	76647	128.2
30	750	MHS-30RV	76648	134.0
36	900	MHS-36RV	76649	145.4
42	1050	MHS-42RV	76650	156.7
48	1200	MHS-48RV	76651	168.1
54	1350	MHS-54RV	76652	179.4
60	1500	MHS-60RV	76653	190.8
72	1800	MHS-72RV	76654	219.1
84	2100	MHS-84RV	76805	255.6
96	2400	MHS-96RV	79046	292.1

*NOTE: V-Tips can be used ONLY on vulcanized belts.

Lead time: 1 working day

Product Notes:

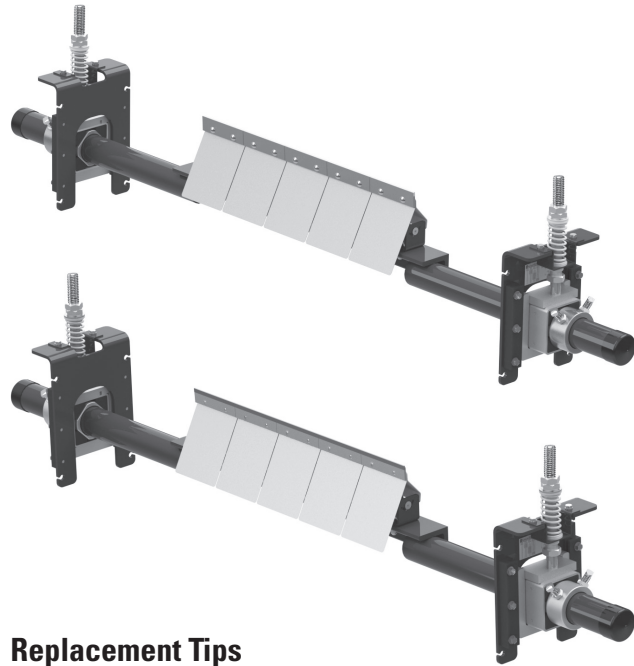
- A cleaner for applications where the belt travels in both directions.

With SAT XD Tensioner*

BELT WIDTH		ORDERING NUMBER	ITEM CODE	WT. LBS.
in.	mm			
24	600	MHS-24P	78736	102.4
30	750	MHS-30P	78737	107.3
36	900	MHS-36P	78738	116.4
42	1050	MHS-42P	78739	126.8
48	1200	MHS-48P	78740	137.3
54	1350	MHS-54P	78741	147.7
60	1500	MHS-60P**	78742	158.2
72	1800	MHS-72P**	78743	183.9
84	2100	MHS-84P**	78744	209.6
96	2400	MHS-96P**	79047	292.1

*60-96" (1500-2400 mm) models have a 3-piece pole.

Lead time: 1 working day



Replacement Tips

ORDERING NUMBER	ITEM CODE	WT. LBS.
ICT6	74535	0.7
RSA150	73628	1.3

Lead time: 1 working day

Replacement Shields

DESCRIPTION	ORDERING NUMBER	ITEM CODE	WT. LBS.
P Stainless Steel Shield	PSSS	74773	0.5
PowerFlex™ Reverse Shield	PFRS	76622	0.4

Lead time: 1 working day



Product Notes:

- The SAT XD Tensioners automatically adjust the blades to the belt until the blades are worn out.

Product Ordering Information

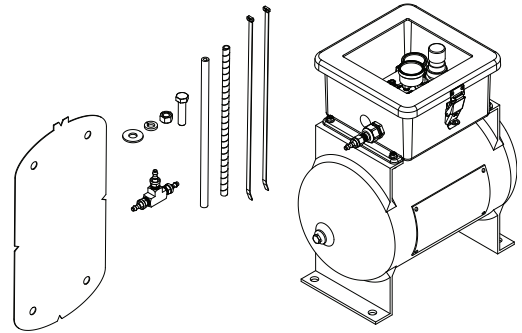
Line Connections for Pneumatic Air Tensioner

Control Box/Tank Combo Units for Closed System

DESCRIPTION	ORDERING NUMBER	ITEM CODE	WT. LBS.
Control Box/Tank Combo Unit for Precleaner - 60 PSI	PAT-C-60	108230	64.0
Control Box/Tank Combo Unit for Secondary Cleaner - 100 PSI	PAT-C-100	108231	64.0

Product Notes:

- For use with cleaners with new PAT systems.
- 150# pop-off valve for safe pressurizing/charging of Air Tank.
- ASME construction tank.
- Fully sealed enclosure includes all critical items - regulator, tank gauge, downstream gauge, schrader valve, in-line filter, downstream valve.

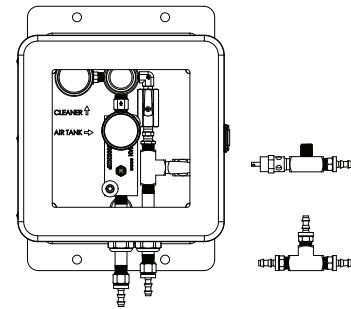


Control Box for Legacy Tank

DESCRIPTION	ORDERING NUMBER	ITEM CODE	WT. LBS.
Control Box Kit for Precleaner - 60 PSI	PACB2-60	108228	13.6
Control Box Kit for Secondary Cleaner - 100 PSI	PACB2-100	108229	13.6

Product Notes:

- For use with Legacy PAT1/PAT2 tank systems ordered prior to January 2024.
- 150# pop-off valve for safe pressurizing/charging of Air Tank.
- May also be paired with Air Tank for Legacy Control Box if preferred.

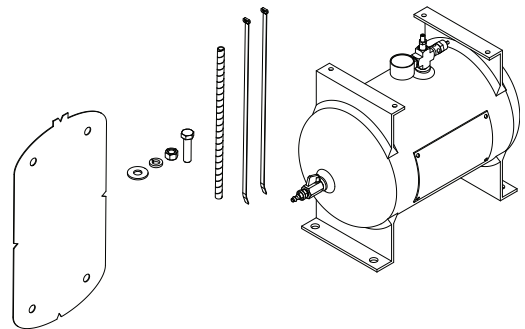


Air Tank for Legacy Control Box

DESCRIPTION	ORDERING NUMBER	ITEM CODE	WT. LBS.
ASME Air Tank Kit	PAT-N	108232	47.3

Product Notes:

- For use with Legacy PACB60/PACB100 control boxes ordered prior to January 2024.
- 150# pop-off valve for safe pressurizing/charging of Air Tank.
- ASME construction tank.
- May also be paired with Control Box for Legacy Tank if preferred.



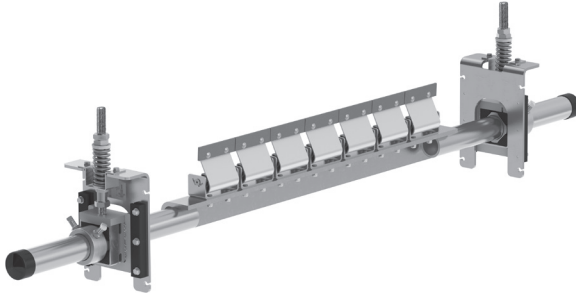
Replacement Parts List

DESCRIPTION	ORDERING NUMBER	ITEM CODE	WT. LBS.
10' (3m) Hose Kit	PATHK	78794	1.5
Upgrade Fitting Kit (fill valve, push-on fittings, plugs)	AWTRK	79319	0.4

Product Ordering Information

MHS Stainless Steel Heavy-Duty Secondary Cleaner with SSTensioners

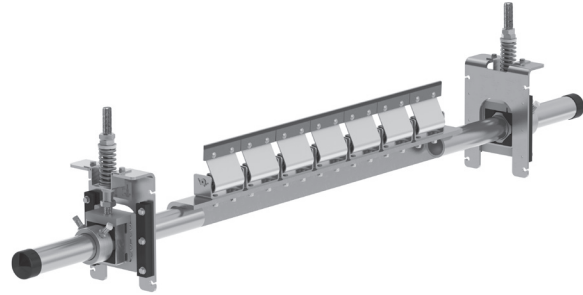
For replacement tips and qty of tips per cleaner, see page 99.



With C-Tips

BELT WIDTH		ORDERING NUMBER	ITEM CODE	WT. LBS.
in.	mm			
24	600	MHS-24-S/S	77601	124.6
30	750	MHS-30-S/S	77602	129.5
36	900	MHS-36-S/S	77603	140.0
42	1050	MHS-42-S/S	77604	150.4
48	1200	MHS-48-S/S	77605	160.9
54	1350	MHS-54-S/S	77606	171.3
60	1500	MHS-60-S/S	77607	181.8
72	1800	MHS-72-S/S	77608	208.3
84	2100	MHS-84-S/S	77609	243.0
96	2400	MHS-96-S/S	79048	277.7

Lead time: 3 weeks

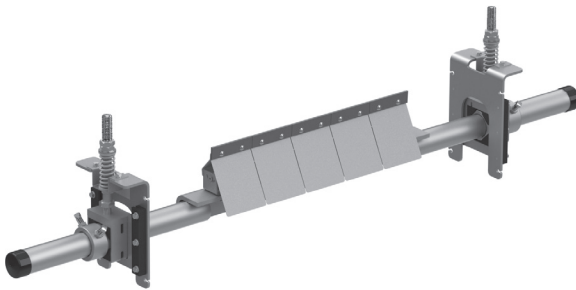


With V-Tips*

BELT WIDTH		ORDERING NUMBER	ITEM CODE	WT. LBS.
in.	mm			
24	600	MHS-24V-S/S	77610	119.7
30	750	MHS-30V-S/S	77611	124.6
36	900	MHS-36V-S/S	77612	129.5
42	1050	MHS-42V-S/S	77613	140.0
48	1200	MHS-48V-S/S	77614	150.4
54	1350	MHS-54V-S/S	77615	160.9
60	1500	MHS-60V-S/S	77616	171.3
72	1800	MHS-72V-S/S	77617	181.8
84	2100	MHS-84V-S/S	77618	208.3
96	2400	MHS-96V-S/S	79049	243.1

*NOTE: V-Tips can be used ONLY on vulcanized belts.

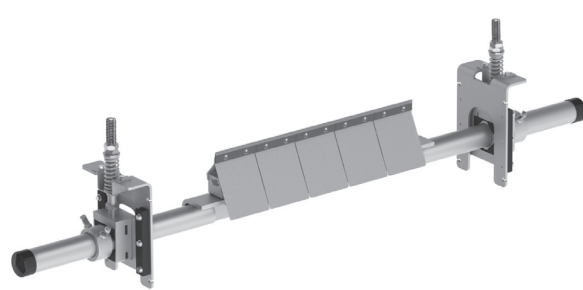
Lead time: 3 weeks



Reversing with C-Tips

BELT WIDTH		ORDERING NUMBER	ITEM CODE	WT. LBS.
in.	mm			
24	600	MHS-24R-S/S	77640	128.2
30	750	MHS-30R-S/S	77641	134.0
36	900	MHS-36R-S/S	77642	145.4
42	1050	MHS-42R-S/S	77643	156.7
48	1200	MHS-48R-S/S	77644	168.1
54	1350	MHS-54R-S/S	77645	179.4
60	1500	MHS-60R-S/S	77646	190.8
72	1800	MHS-72R-S/S	77647	219.1
84	2100	MHS-84R-S/S	77648	247.4
96	2400	MHS-96R-S/S	79050	275.7

Lead time: 3 weeks



Reversing with V-Tips*

BELT WIDTH		ORDERING NUMBER	ITEM CODE	WT. LBS.
in.	mm			
24	600	MHS-24RV-S/S	77649	122.4
30	750	MHS-30RV-S/S	77650	128.2
36	900	MHS-36RV-S/S	77651	134.0
42	1050	MHS-42RV-S/S	77652	145.4
48	1200	MHS-48RV-S/S	77653	156.7
54	1350	MHS-54RV-S/S	77654	168.1
60	1500	MHS-60RV-S/S	77655	179.4
72	1800	MHS-72RV-S/S	77656	190.8
84	2100	MHS-84RV-S/S	77657	219.1
96	2400	MHS-96RV-S/S	79051	255.6

*NOTE: V-Tips can be used ONLY on vulcanized belts.

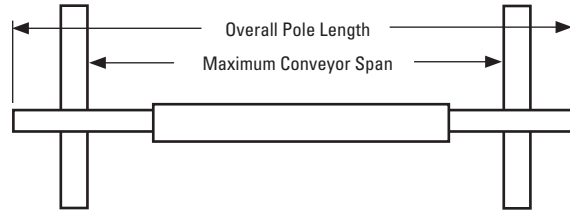
Lead time: 3 weeks

Specifications & Guidelines

Pole Length Specifications*

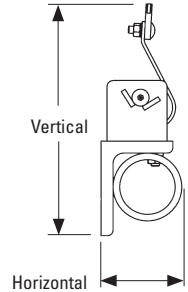
CLEANER SIZE		BLADE WIDTH		POLE LENGTH		MAXIMUM CONVEYOR SPAN	
in.	mm	in.	mm	in.	mm	in.	mm
18	450	18	450	72	1800	62	1550
24	600	24	600	78	1950	68	1700
30	750	30	750	84	2100	74	1850
36	900	36	900	90	2250	80	2000
42	1050	42	1050	96	2400	86	2150
48	1200	48	1200	102	2550	92	2300
54	1350	54	1350	108	2700	98	2450
60	1500	60	1500	114	2850	104	2600
72	1800	72	1800	126	3150	116	2900
84	2100	84	2100	138	3450	128	3200
96	2400	96	2400	150	3750	140	3500

*For special extra long pole length requirements a Pole Extender Kit (#76024) is available that provides 30" (750 mm) of extended pole length. (p. 138).
Pole Diameter – 2-7/8" (73 mm)



Clearance Guidelines for Installation

HORIZONTAL CLEARANCE REQUIRED		VERTICAL CLEARANCE REQUIRED	
in.	mm	in.	mm
4	100	10	245



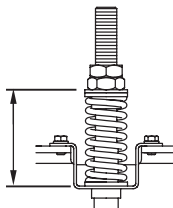
SST XD Spring Length Chart

Belt Width		White Springs		Silver Springs		Black Springs		Gold Springs	
in.	mm	in.	mm	in.	mm	in.	mm	in.	mm
18	450	3 3/8	86	4	102	N/A	N/A	N/A	N/A
24	600	3 1/8	79	3 7/8	98	N/A	N/A	N/A	N/A
30	750	2 7/8	73	3 3/4	95	N/A	N/A	N/A	N/A
36	900	N/A	N/A	3 3/4	95	3 7/8	98	N/A	N/A
42	1050	N/A	N/A	3 5/8	92	3 3/4	95	N/A	N/A
48	1200	N/A	N/A	3 1/2	89	3 5/8	92	N/A	N/A
54	1350	N/A	N/A	3 3/8	86	3 5/8	92	3 3/4	95
60	1500	N/A	N/A	3 1/4	83	3 1/2	89	3 3/4	95
72	1800	N/A	N/A	N/A	N/A	3 3/8	86	3 5/8	92
84	2100	N/A	N/A	N/A	N/A	3 1/8	79	3 1/2	89
96	2400	N/A	N/A	N/A	N/A	N/A	N/A	3 3/8	86

Shading indicates preferred spring option.

SST XD

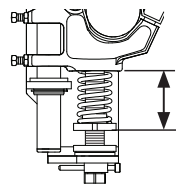
Top of Washer to Mounting Base



MST Spring Length Chart

Belt Width		White Springs		Silver Springs		Black Springs	
in.	mm	in.	mm	in.	mm	in.	mm
18	450	2 7/8	73	3 3/8	86	3 1/2	89
24	600	2 5/8	67	3 3/8	86	3 3/8	86
30	750	2 3/8	60	3 1/4	83	3 3/8	86
36	900	2 1/8	54	3 1/8	79	3 1/4	83
42	1050	1 7/8	48	3	76	3 1/8	79
48	1200	N/A	N/A	2 7/8	73	3 1/8	79
54	1350	N/A	N/A	2 7/8	73	3	76
60	1500	N/A	N/A	2 3/4	70	2 7/8	73
72	1800	N/A	N/A	2 1/2	64	2 3/4	70

Shading indicates preferred spring option.



MST

Bottom of Pole Mount to Bottom of Spring Support Plate

SAT XD Pressure Chart

Belt Width		No. Blades	Pressure	
in.	mm		psi	kPa
18	450	3	15	103
24	600	4	19	131
30	750	5	23	159
36	900	6	27	186
42	1050	7	31	214
48	1200	8	35	241
54	1350	9	39	269
60	1500	10	43	296
72	1800	12	51	352
84	2100	14	59	407
96	2400	16	67	462

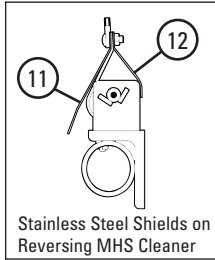
Specifications:

- Maximum Belt Speed SST XD/SAT XD Tensioner: 1200 FPM (6 m/s)
MST Tensioner: 1000 FPM (5 m/s)
- Temperature Rating -30 to 180°F (-35 to 82°C)
- Usable Blade Wear Length 3/8" (9 mm)
- Blade Materials C-Tip: Impact Resistant Tungsten Carbide (works with mechanical fasteners)
V-Tip: Long Life Tungsten Carbide (for vulcanized belts only)
- Available for Belt Widths SST XD/SAT XD Tensioner: 18 to 96" (450 to 2400 mm) Other sizes available upon request.
MST Tensioner: 18 to 72" (450 to 1800 mm) Other sizes available upon request.
- CEMA Cleaner Rating Class 5

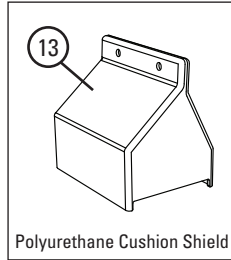
Replacement Parts List

MHS Heavy-Duty Secondary Cleaner with SST XD Tensioner

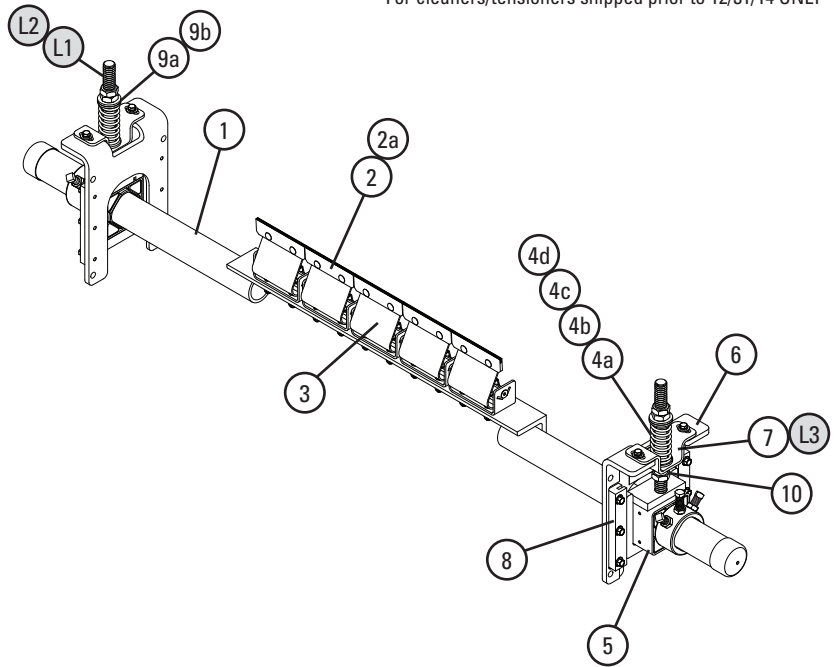
For cleaners/tensioners shipped prior to 12/31/14 ONLY*



Stainless Steel Shields on Reversing MHS Cleaner



Polyurethane Cushion Shield



Replacement Parts

REF	DESCRIPTION	ORDERING NUMBER	ITEM CODE	WT. LBS.
1	18" (450mm) Pole	MHSP-18	76178	46.2
	24" (600mm) Pole	MHSP-24	75918	51.7
	30" (750mm) Pole	MHSP-30	75919	57.2
	36" (900mm) Pole	MHSP-36	75920	62.8
	42" (1050mm) Pole	MHSP-42	75921	68.3
	48" (1200mm) Pole	MHSP-48	75922	73.9
	54" (1350mm) Pole	MHSP-54	75923	79.4
	60" (1500mm) Pole	MHSP-60	75924	85.0
	72" (1800mm) Pole	MHSP-72	75925	96.1
	84" (2100mm) Pole	MHSP-84	76814	112.1
96" (2400mm) Pole	MHSP-96	79052	128.1	
2	C-Tip*	ICT6	74535	0.7
2a	V-Tip* (for vulcanized belts only)	RSA150	73628	1.3
3	PowerFlex™ Cushion* (complete)	PFC	75927	4.2
4	Tension Spring - White (1 ea.) for belts 18–30" (450–750mm)	STS-W	75846	0.5
4a	Tension Spring - Silver (1 ea.) for belts 36–48" (900–1200mm)	STS-S	75843	0.8
4b	Tension Spring - Black (1 ea.) for belts 54–84" (1350–2100mm)	STS-B	75844	1.0
4c	Tension Spring - Gold (1 ea.) for belts 96" (2400mm)	STS-G	78142	1.3
5	HD Torsion Pole Mount* (1 ea.) (incl. HD adjusting rod, nuts & sleeve) (See 9 & 9a for bushings)	SSTHDP	77868	15.0
6	SST XD Mounting Base Kit* (includes 1 mtg base, 2 slide guides, top hat bracket & bottom bushing)	SSTXDMK	91412	10.2
7	SST Hat Bracket (pair)	SSTHB	79582	3.0
8	Slide Guide Kit* (incl. 2 slide guides)	STGK2	77867	1.1
9	SST Bushing Kit - White/Silver (incl. 2 bushings)	SSTBK-W	76636	0.1
9a	SST Bushing Kit - Black/Gold (incl. 2 bushings)	SSTBK-B	76637	0.1
10	SST Lower Bushing Kit (pair)	SSTLTK	79493	.2
11	P Stainless Steel Shield	PSS	74773	0.5
12	PowerFlex™ Reverse Shield	PFRS	76622	0.4
13	Polyurethane Cushion Shield	UPFCC	79320	0.3
14	Jam Nut Kit SST	JNK-C	79893	0.3
-	SST XD Spring Tensioner* - White (incl. (2) ea. items 4, 5, 6, & 9)	SSTXD-W	91408	60.6
-	SST XD Spring Tensioner* - Silver (incl. (2) ea. items 4a, 5, 6, & 9)	SSTXD-S	91409	61.4
-	SST XD Spring Tensioner* - Black (incl. (2) ea. items 4b, 5, 6, & 9a)	SSTXD-B	91410	62.0
-	SST XD Spring Tensioner* - Gold (incl. (2) ea. items 4c, 5, 6, & 9a)	SSTXD-G	91411	62.6

*Hardware Included
Lead time: 1 working day

Legacy Replacement Parts for Tensioners shipped prior to Dec. 31, 2014*

REF	DESCRIPTION	ORDERING NUMBER	ITEM CODE	WT. LBS.
L1	Adjusting Rod Kit (for belts 24–60" (600–1500mm)) (incl. 1 rod, 2 nuts, 1 bushing, 1 washer)	STAK	75847	2.9
L2	HD Adjusting Rod Kit (for belts 72–96" (1800–2400mm)) (incl. 1 rod, 2 nuts, 1 HD bushing, 1 washer)	STAKHD	75892	3.0
L3	Legacy SST Hat Channel Kit	SSTHK	79070	1.5
-	SAT2 Adjusting Rod Kit (2 ea.)	SAT2AK	78733	5.0
-	SST Tensioner Bushing Update Kit (incl. 2 lower bushings, 2 sleeves, 2 nuts)	SST-BUK	76943	0.3

*Verify if legacy parts are needed by looking at threaded rod. If it has standard threads, use legacy parts. If it has flat/acme threads, choose from regular replacement parts.



Standard thread profile



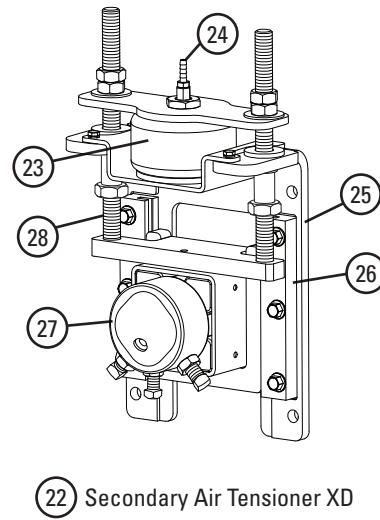
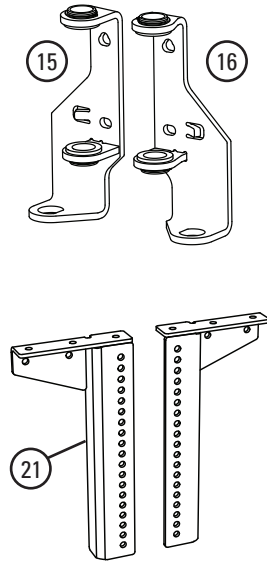
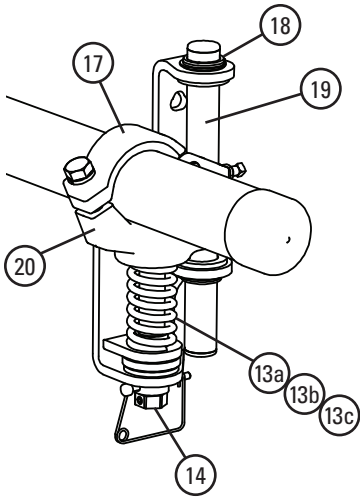
Acme/trapezoidal thread profile

Spring Tensioner Selection Chart

CLEANER SIZE	91408 SSTXD-W	91409 SSTXD-S	91410 SSTXD-B	91411 SSTXD-G
MHS 18–30" (450–750mm)	X			
MHS 36–48" 900–1200mm)		X		
MHS 54–84" (1350–2100mm)			X	
MHS 96" (2400mm)				X

Replacement Parts List

MHS Heavy-Duty Secondary Cleaner Optional MST/SAT XD Tensioners



22 Secondary Air Tensioner XD

Replacement Parts - MST Tensioner

REF	DESCRIPTION	ORDERING NUMBER	ITEM CODE	WT. LBS.
15a	Tension Spring – White (1 ea.) for belts 18–30" (450–750mm)	STS-W	75846	0.5
15b	Tension Spring – Silver (1 ea.) for belts 36–54" (900–1350mm)	STS-S	75843	0.8
15c	Tension Spring – Black (1 ea.) for belts 60–72" (1500–1800mm)	STS-B	75844	1.0
16	MST Adjusting Mechanism	MSTAM	79435	2.8
17	MST Mounting Bracket LH (incl. bushings)	MST-MBL	79436	5.7
18	MST Mounting Bracket RH (incl. bushings)	MST-MBR	79437	5.7
19	MST HD Clamp*	MSTCHD	79439	2.5
20	MST Bushing Kit (incl. 4 bushings)	MSTBK	79440	.2
21	MST Guide Pole	MSTGT	79441	1.5
22	MST HD Pole Mount*	MSTPMHD	79451	7.3
23	MST Drop Brackets (2)	MSTDB	79434	27.7
-	MST HD Spring Tensioner – White (incl. (1) ea. items 17 & 18; (2) ea. items 15a, 16, 19, 21, 22)	MSTHD-W	79431	36.8
-	MST HD Spring Tensioner – Silver (incl. (1) ea. items 17 & 18; (2) ea. items 15b, 16, 19, 21, 22)	MSTHD-S	79432	37.5
-	MST HD Spring Tensioner – Black (incl. (1) ea. items 17 & 18; (2) ea. items 15c, 16, 19, 21, 22)	MSTHD-B	79433	38.1

*Hardware included
Lead time: 1 working day

Replacement Parts - SAT XD Tensioner

REF	DESCRIPTION	ORDERING NUMBER	ITEM CODE	WT. LBS.
24	SAT XD	SATXDNCB	91414	41.0
25	SAT Air/Water Bag Kit	SATB	76083	5.1
26	SAT 1/8" Hose Barb Kit	SATHB	76084	0.1
27	SAT XD Mounting Base Kit	SATXDMK	91415	11.6
28	ST Slide Guide Kit	STGK2	77867	1.1
29	SAT2 Torsion Pole Mount	SAT2PM	78732	11.1
30	SAT2 Adjusting Rod Kit	SAT2AK	78733	5.0

Lead time: 1 working day

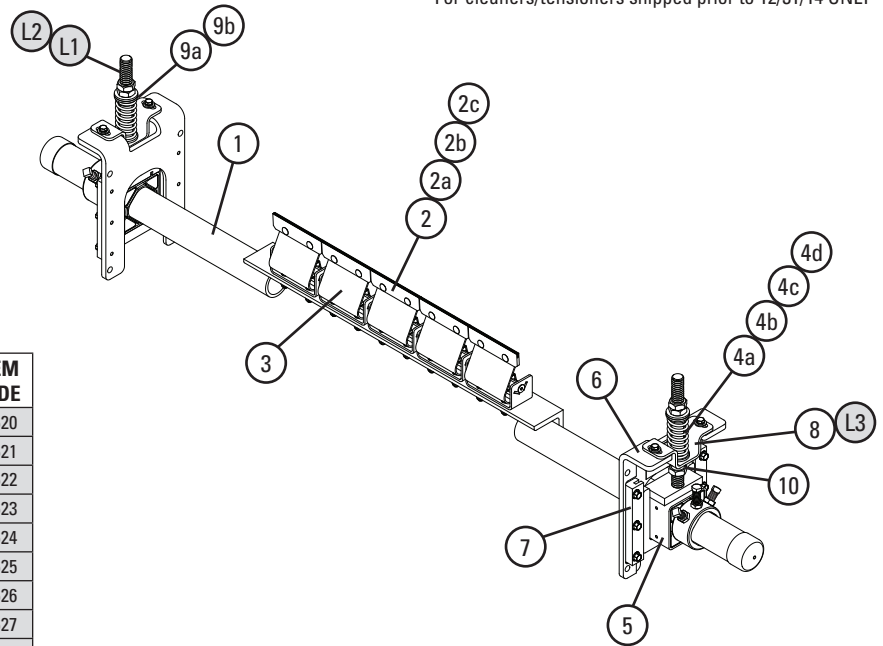
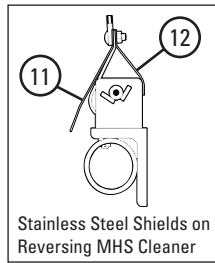
Spring Tensioner Selection Chart

CLEANER SIZE	79431 MSTHD-W	79432 MSTHD-S	79433 MSTHD-B
MHS 18–30" (450–750 mm)	X		
MHS 36–54" (900–1350 mm)		X	
MHS 60–72" (1500–1800 mm)			X

Replacement Parts List

MHS Stainless Steel Heavy-Duty Secondary Cleaner with SST Tensioner

For cleaners/tensioners shipped prior to 12/31/14 ONLY*



Replacement Parts

REF	DESCRIPTION	ORDERING NUMBER	ITEM CODE
1	24" (600mm) SS Pole	MHSP24-S/S	77620
	30" (750mm) SS Pole	MHSP30-S/S	77621
	36" (900mm) SS Pole	MHSP36-S/S	77622
	42" (1050mm) SS Pole	MHSP42-S/S	77623
	48" (1200mm) SS Pole	MHSP48-S/S	77624
	54" (1350mm) SS Pole	MHSP54-S/S	77625
	60" (1500mm) SS Pole	MHSP60-S/S	77626
	72" (1800mm) SS Pole	MHSP72-S/S	77627
	84" (2100mm) SS Pole	MHSP84-S/S	77628
96" (2400mm) SS Pole	MHSP96-S/S	79053	
2	C-Tip*	ICT6	74535
2a	SS C-Tip	ICT6-S/S	78700
2b	V-Tip* (for vulcanized belts only)	RSA150	73628
2c	S/S V-Tip* (for vulcanized belts only)	RVT6-S/S	76205
3	PowerFlex Cushion* (complete)	PFC-SS	76560
4a	Tension Spring – White (1 ea.)	STS-W-S/S	77630
4b	Tension Spring – Silver (1 ea.)	STS-S-S/S	77631
4c	Tension Spring – Black (1 ea.)	STS-B-S/S	77632
4d	Tension Spring – Gold (1 ea.)	STS-G-S/S	79057
5	SS HD Torsion Mounting Kit* (1 ea.) (incl. 1 adjusting rod, 3 nuts, 1 sleeve) (See 9 & 9a for bushings)	STHDPM2-S/S	77633
6	SS Mounting Base Kit* (incl. 1 mounting base, 2 slide guides, top hat bracket & bottom bushing)	STHDMK2-S/S	77634
7	SS Base Mounting Kit* (incl. 2 slide guides)	STGK2-S/S	77635
8	SST Hat Bracket S/S (Pair)	SSTHB-S/S	79586
9a	SST Bushing Kit – White/Silver (incl. 2 bushings)	SSTBK-W	76636
9b	SST Bushing Kit – Black/Gold (incl. 2 bushings)	SSTBK-B	76637
10	SST Lower Bushing Kit (Pair)	SSTLBK	79493
11	P Stainless Steel Shield	PSSS	74773
12	PowerFlex™ Reverse Shield	PFRS	76622
-	SS SST Spring Tensioner* – White (incl. (2) ea. items 4a, 5, 6 & 9a)	SST2HD-W-S/S	77637
-	SS SST Spring Tensioner* – Silver (incl. (2) ea. items 4b, 5, 6 & 9a)	SST2HD-S-S/S	77638
-	SS SST Spring Tensioner* – Black (incl. (2) ea. items 4c, 5, 6 & 9b)	SST2HD-B-S/S	77639
-	SS SST Spring Tensioner* – Gold (incl. (2) ea. items 4d, 5, 6 & 9b)	SST2HD-G-S/S	79042

*Hardware Included
Lead time: 1 working day

Legacy Replacement Parts for Tensioners shipped prior to Dec. 31, 2014*

REF	DESCRIPTION	ORDERING NUMBER	ITEM CODE
L1	Adjusting Rod Kit* (incl. 1 rod, 2 nuts, 1 bushing, 1 washer) for belts 18–60" (450–1500mm)	STAK	75847
L2	HD Adjusting Rod Kit* (incl. 1 rod, 2 nuts, 1 HD bushing, 1 washer) for belts 72–96" (1800–2400mm)	STAKHD	75892
L3	SST Hat Channel Kit S/S	SSTHK-S/S	79071
-	SS Bushing Update Kit (incl. (2) ea. lower bushing, sleeve, nut)	SST-BUK-S/S	77636

*Verify if legacy parts are needed by looking at threaded rod. If it has standard threads, use legacy parts. If it has flat/acme threads, choose from regular replacement parts.



Spring Tensioner Selection Chart

CLEANER SIZE	77637 SSTD-W-S/S	77638 SSTD-S-S/S	77639 SSTD-B-S/S	79042 SSTD-G-S/S
MHS S/S 18–30" (450–750mm)	X			
MHS S/S 36–48" (900–1200mm)		X		
MHS S/S 54–84" (1350–2100mm)			X	
MHS S/S 96" (2400mm)				X

Shaded items are made to order.
Lead time: 3 weeks

Product Ordering Information

P-Type® ESAC Secondary Cleaner with Enhanced Service Advantage Cartridge

With C-Tips

BELT WIDTH		ORDERING NUMBER	ITEM CODE	WT. LBS.
in.	mm			
24	600	PC24-ESAC	77955	137.4
30	750	PC30-ESAC	77956	150.8
36	900	PC36-ESAC	77957	164.0
42	1050	PC42-ESAC	77958	177.3
48	1200	PC48-ESAC	77959	190.5
54	1350	PC54-ESAC	77960	203.9
60	1500	PC60-ESAC	77961	217.2
72	1800	PC72-ESAC	77962	243.8
60	1500	PC60-2ESAC	77963	303.7
72	1800	PC72-2ESAC	77964	330.8
84	2100	PC84-2ESAC	77965	358.2
96	2400	PC96-2ESAC	77966	385.2
120	3000	PC120-2ESAC	77967	443.8

Lead time: 1 working day

With V-Tips*

BELT WIDTH		ORDERING NUMBER	ITEM CODE	WT. LBS.
in.	mm			
24	600	PV24-ESAC	77981	137.4
30	750	PV30-ESAC	77982	150.8
36	900	PV36-ESAC	77983	164.0
42	1050	PV42-ESAC	77984	177.3
48	1200	PV48-ESAC	77985	190.5
54	1350	PV54-ESAC	77986	203.9
60	1500	PV60-ESAC	77987	217.2
72	1800	PV72-ESAC	77988	243.8
60	1500	PV60-2ESAC	77989	303.7
72	1800	PV72-2ESAC	77990	330.8
84	2100	PV84-2ESAC	77991	358.2
96	2400	PV96-2ESAC	77992	385.2
120	3000	PV120-2ESAC	77993	443.8

*NOTE: V-Tips can be used ONLY on vulcanized belts.

Lead time: 1 working day

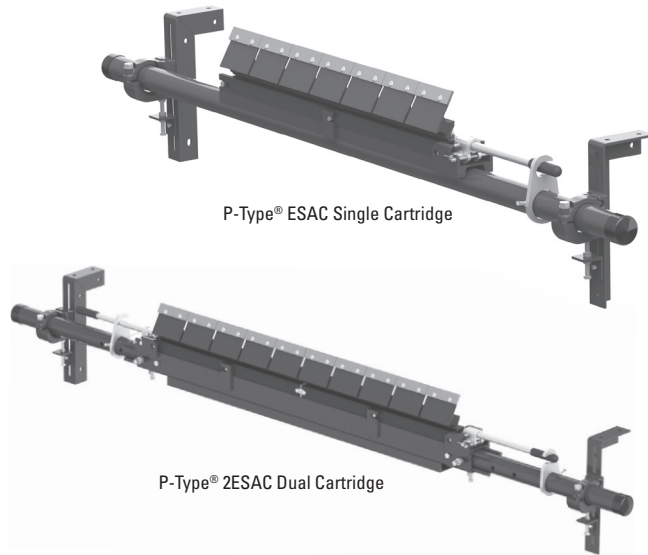
Shaded items are made to order.
Lead time: 15 working days

Tips Required per Cleaner Size

in.	24	30	36	42	48	54	60	72	84	96	120
mm	600	750	900	1050	1200	1350	1500	1800	2100	2400	3000
No. C-Tips or V-Tips Required	4	5	6	7	8	9	10	12	14	16	20

Product Notes:

- Patented Enhanced Service Advantage Cartridge™ allows for easy removal in even the dirtiest conditions.
- Pole Length: Belt width plus 54" (1350 mm) (single cartridge cleaners); Belt width plus 60" (1500 mm) (dual cartridge cleaners).
- Tips are set at a non-aggressive 70° angle to give quick relief for passing mechanical splices.
- C-Tips are for mechanically fastened or vulcanized belts. V-Tips are for vulcanized belts only.
- Tensioner mounting brackets included for fast and easy installation.
- Cartridge Removal Kit included for easy removal of the cartridge.



Replacement Tips

ORDERING NUMBER	ITEM CODE	WT. LBS.
ICT6	74535	0.7
PSA150	73156	1.0

Lead time: 1 working day

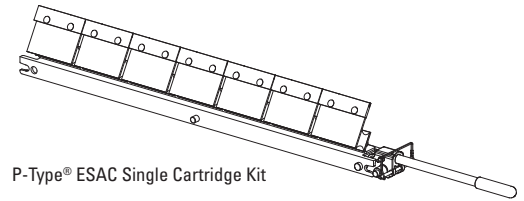
Product Ordering Information

P-Type® ESAC Secondary Cleaner Replacement Cartridge Kits

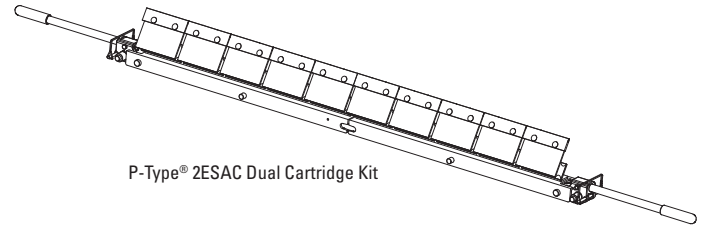
With C-Tips

BELT WIDTH		ORDERING NUMBER	ITEM CODE	WT. LBS.
in.	mm			
24	600	P-CARK-C24/600	78072	25.2
30	750	P-CARK-C30/750	78073	30.0
36	900	P-CARK-C36/900	78074	34.7
42	1050	P-CARK-C42/1050	78075	39.5
48	1200	P-CARK-C48/1200	78076	44.1
54	1350	P-CARK-C54/1350	78077	48.9
60	1500	P-CARK-C60/1500	78078	53.7
72	1800	P-CARK-C72/1800	78079	63.2
60	1500	P-CARK2-C60/1500	78088	87.5
72	1800	P-CARK2-C72/1800	78089	102.2
84	2100	P-CARK2-C84/2100	78090	117.3
96	2400	P-CARK2-C96/2400	78091	132.1
120	3000	P-CARK2-C120/3000	78092	162.3

Lead time: 1 working day



P-Type® ESAC Single Cartridge Kit



P-Type® 2ESAC Dual Cartridge Kit

With V-Tips*

BELT WIDTH		ORDERING NUMBER	ITEM CODE	WT. LBS.
in.	mm			
24	600	P-CARK-V24/600	78080	25.2
30	750	P-CARK-V30/750	78081	30.0
36	900	P-CARK-V36/900	78082	34.7
42	1050	P-CARK-V42/1050	78083	39.5
48	1200	P-CARK-V48/1200	78084	44.1
54	1350	P-CARK-V54/1350	78085	48.9
60	1500	P-CARK-V60/1500	78086	53.7
72	1800	P-CARK-V72/1800	78087	63.2
60	1500	P-CARK2-V60/1500	78093	87.5
72	1800	P-CARK2-V72/1800	78094	102.2
84	2100	P-CARK2-V84/2100	78095	117.3
96	2400	P-CARK2-V96/2400	78096	132.1
120	3000	P-CARK2-V120/3000	78097	162.3

*NOTE: V-Tips can be used ONLY on vulcanized belts.

Lead time: 1 working day

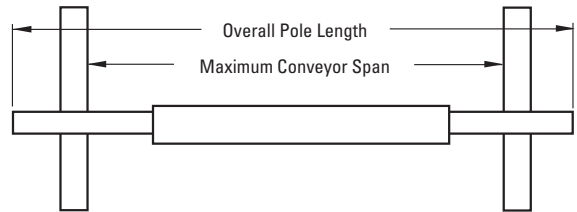
Shaded items are made to order.
Lead time: 15 working days

Specifications & Guidelines

P-Type® ESAC Secondary Cleaner with Enhanced Service Advantage Cartridge

Pole Length Specifications

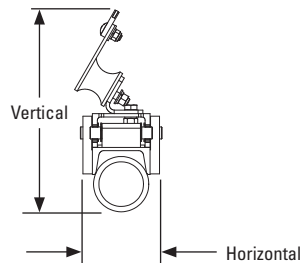
VERSION	CLEANER SIZE		BLADE WIDTH		POLE LENGTH		MAXIMUM CONVEYOR SPAN	
	in.	mm	in.	mm	in.	mm	in.	mm
Single	24	600	24	600	78	1950	66	1650
	30	750	30	750	84	2100	72	1800
	36	900	36	900	90	2250	78	1950
	42	1050	42	1050	96	2400	84	2100
	48	1200	48	1200	102	2550	90	2250
	54	1350	54	1350	108	2700	96	2400
	60	1500	60	1500	114	2850	102	2550
Dual	60	1500	60	1500	120	3000	108	2700
	72	1800	72	1800	132	3300	120	3000
	84	2100	84	2100	144	3600	132	3300
	96	2400	96	2400	156	3900	144	3600
	120	3000	120	3000	180	4500	168	4200



*For special extra long pole length requirements a Pole Extender Kit (#76024) is available that provides 30" (750 mm) of extended pole length (p. 138). Pole Diameter - 2-7/8" (73 mm).

Clearance Guidelines for Installation

VERSION	HORIZONTAL CLEARANCE REQUIRED		VERTICAL CLEARANCE REQUIRED	
	in.	mm	in.	mm
Single	4-1/2	114	10-1/2	267
Dual	4-1/2	114	12-1/4	311



Aluminum Content

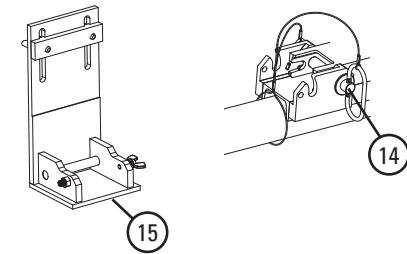
ALUMINUM ALLOY TYPE	PERCENT	
	Mg Magnesium	Ti Titanium
6061	1.0%	0.0%

Specifications:

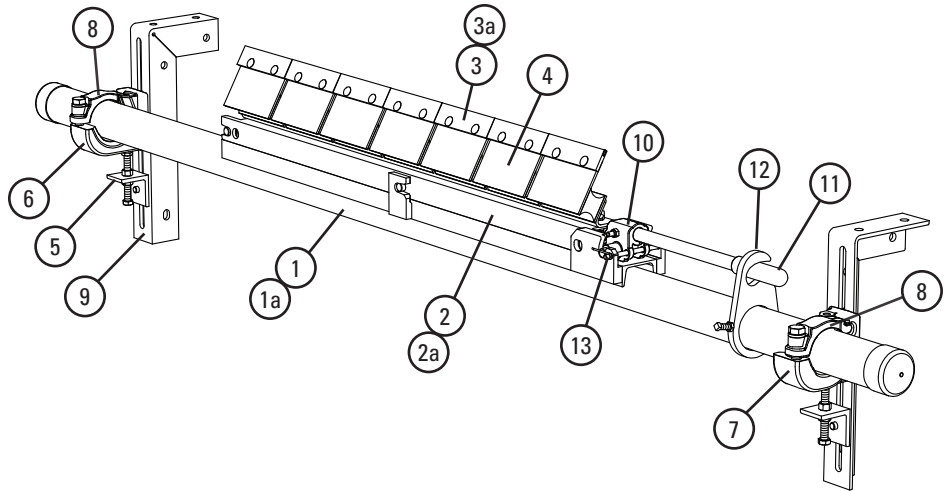
- Maximum Belt Speed 1000 FPM (5 m/s)
- Temperature Rating -30 to 180°F (-35 to 82°C)
- Usable Blade Wear Length 3/8" (9 mm)
- Blade Materials C-Tip: Impact Resistant Tungsten Carbide (works with mechanical fasteners)
V-Tip: Long Life Tungsten Carbide (for vulcanized belts only)
- Available for Belt Widths 24 to 120" (600 to 3000 mm) Other sizes available upon request.
- CEMA Cleaner Rating Class 4

Replacement Parts List

P-Type® ESAC Secondary Cleaner with Enhanced Service Advantage Cartridge



Tip Alignment Tool for Dual Cartridge Cleaners



Replacement Parts

REF	DESCRIPTION	ORDERING NUMBER	ITEM CODE	WT. LBS.
1	ESAC Pole 24" (600mm)	SACPL-24/600	77887	65.4
	ESAC Pole 30" (750mm)	SACPL-30/750	77888	71.2
	ESAC Pole 36" (900mm)	SACPL-36/900	77889	77.1
	ESAC Pole 42" (1050mm)	SACPL-42/1050	77890	82.9
	ESAC Pole 48" (1200mm)	SACPL-48/1200	77891	88.8
	ESAC Pole 54" (1350mm)	SACPL-54/1350	77892	94.6
	ESAC Pole 60" (1500mm)	SACPL-60/1500	77893	100.5
	ESAC Pole 72" (1800mm)	SACPL-72/1800	77894	112.2
	ESAC Center Pole 60" (1500mm) (Dual)	SACPL2-60/1500	77895	77.3
	ESAC Center Pole 72" (1800mm) (Dual)	SACPL2-72/1800	77896	89.5
	ESAC Center Pole 84" (2100mm) (Dual)	SACPL2-84/2100	77897	101.8
ESAC Center Pole 96" (2400mm) (Dual)	SACPL2-96/2400	77898	114.1	
ESAC Center Pole 120" (3000mm) (Dual)	SACPL2-120/3000	77899	142.3	
1a	Extender Pole (for use with Dual Cartridge Center Pole)	MHP-EP	76392	54.0
2	ESAC 24" (600mm)	CART-24/600	77900	3.5
	ESAC 30" (750mm)	CART-30/750	77901	4.3
	ESAC 36" (900mm)	CART-36/900	77902	5.1
	ESAC 42" (1050mm)	CART-42/1050	77903	5.9
	ESAC 48" (1200mm)	CART-48/1200	77904	6.7
	ESAC 54" (1350mm)	CART-54/1350	77905	7.4
	ESAC 60" (1500mm)	CART-60/1500	77906	8.4
	ESAC 72" (1800mm)	CART-72/1800	77907	10.0
	ESAC 60" (1500mm) (Dual)	CART2-60/1500	77908	8.6
	ESAC 72" (1800mm) (Dual)	CART2-72/1800	77909	10.2
	ESAC 84" (2100mm) (Dual)	CART2-84/2100	77910	11.7
	ESAC 96" (2400mm) (Dual)	CART2-96/2400	77911	13.3
	ESAC 120" (3000mm) (Dual)	CART2-120/3000	77912	16.8
2a	ESAC P-Type Adapter Plate 24" (600mm)	PCAP-24/600	77913	4.7
	ESAC P-Type Adapter Plate 30" (750mm) §	PCAP-30/750	77914	6.1
	ESAC P-Type Adapter Plate 36" (900mm) §	PCAP-36/900	77915	7.2
	ESAC P-Type Adapter Plate 42" (1050mm) §	PCAP-42/1050	77916	8.6
	ESAC P-Type Adapter Plate 48" (1200mm) §	PCAP-48/1200	77917	9.8
	ESAC P-Type Adapter Plate 54" (1350mm)	PCAP-54/1350	77918	11.1
	ESAC P-Type Adapter Plate 60" (1500mm) §	PCAP-60/1500	77919	12.3
	ESAC P-Type Adapter Plate 72" (1800mm)	PCAP-72/1800	77920	14.8

§If using a dual cartridge, please take the cleaner size and divide by two. That dimension is the size of the brackets needed for conversion to a P-Type® cleaner.

Replacement Parts

REF	DESCRIPTION	ORDERING NUMBER	ITEM CODE	WT. LBS.
3	C-Tip*	ICT6	74535	0.7
3a	P V-Tip* (for vulcanized belts only)	PSA150	73156	1.0
4	P2 C-Tip Cushion*	PHA	73626	2.0
5	Adjusting Bracket Kit* (1 ea.)	PAB	75513	1.5
6	HD Pole Clamp Kit Left* (1 ea.) (incl. item 8)	CCKHDL	79225	8.7
7	HD Pole Clamp Kit Right* (1 ea.) (incl. item 8)	CCKHDR	79229	8.7
8	HD Cradle Clamp Top Strap (1 ea.) (for use with L or R HD Pole Clamp Kit)	CCKHDTS	79233	1.7
9	Mounting Bracket Kit (1 Right and 1 Left)	EZS2MBK	75666	13.0
-	HD Cradle Clamp Mounting Kit* (incl. (2) item 5; (1) ea. items 6, 7 & 9)	CCMKHD	78920	36.7
10	ESAC Removal Knuckle	SACRKN	77882	3.2
11	ESAC Removal Handle	SACRH	77883	3.0
12	ESAC Handle Lock Plate	SACRHL	77884	1.7
13	Knuckle Retainer Pin	SACKRP	77885	0.2
14	SAC Hitch Pin	SACHP2	77768	0.9
-	ESAC Removal Kit (incl. (1) ea. items 10-14)	SACRKT	77886	9.0
15	ESAC Tip Alignment Tool (Dual)	SAC2-TIP-TL	77866	2.5

*Hardware Included
Lead Time: 1 working day

Shaded items are made to order.
Lead time: 15 working days

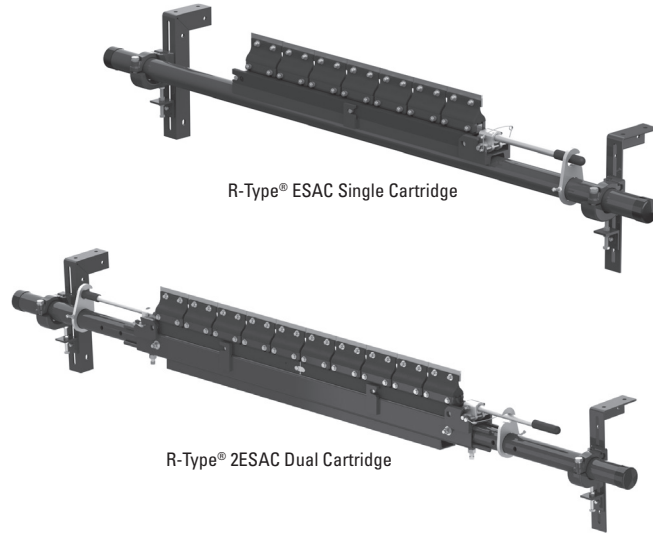
Product Ordering Information

R-Type® ESAC Secondary Cleaner with Enhanced Service Advantage Cartridge

With C-Tips

BELT WIDTH		ORDERING NUMBER	ITEM CODE	WT. LBS.
in.	mm			
24	600	RC24-ESAC	77968	133.7
30	750	RC30-ESAC	77969	146.0
36	900	RC36-ESAC	77970	158.4
42	1050	RC42-ESAC	77971	170.7
48	1200	RC48-ESAC	77972	183.0
54	1350	RC54-ESAC	77973	195.3
60	1500	RC60-ESAC	77974	207.8
72	1800	RC72-ESAC	77975	232.4
60	1500	RC60-2ESAC	77976	237.0
72	1800	RC72-2ESAC	77977	259.4
84	2100	RC84-2ESAC	77978	281.8
96	2400	RC96-2ESAC	77979	304.2
120	3000	RC120-2ESAC	77980	354.0

Lead time: 1 working day



R-Type® ESAC Single Cartridge

R-Type® 2ESAC Dual Cartridge

With V-Tips*

BELT WIDTH		ORDERING NUMBER	ITEM CODE	WT. LBS.
in.	mm			
24	600	RV24-ESAC	77994	133.7
30	750	RV30-ESAC	77995	146.0
36	900	RV36-ESAC	77996	158.4
42	1050	RV42-ESAC	77997	170.7
48	1200	RV48-ESAC	77998	183.0
54	1350	RV54-ESAC	77999	195.3
60	1500	RV60-ESAC	78000	207.8
72	1800	RV72-ESAC	78001	232.4
60	1500	RV60-2ESAC	78002	237.0
72	1800	RV72-2ESAC	78003	259.4
84	2100	RV84-2ESAC	78004	281.8
96	2400	RV96-2ESAC	78005	304.2
120	3000	RV120-2ESAC	78006	354.0

*NOTE: V-Tips can be used ONLY on vulcanized belts.

Lead time: 1 working day

Shaded items are made to order.
Lead time: 15 working days

Replacement Tips

ORDERING NUMBER	ITEM CODE	WT. LBS.
ICT6	74535	0.7
RSA150	73628	1.3

Lead time: 1 working day

Tips Required per Cleaner Size

in.	24	30	36	42	48	54	60	72	84	96	120
mm	600	750	900	1050	1200	1350	1500	1800	2100	2400	3000
No. C-Tips or V-Tips Required	4	5	6	7	8	9	10	12	14	16	20

Product Notes:

- Patented Enhanced Service Advantage Cartridge™ allows for easy removal in even the dirtiest conditions.
- Pole Length: Belt width plus 54" (1350 mm) (single cartridge cleaners); Belt width plus 60" (1500 mm) (dual cartridge cleaners).
- Two-way cushions allow cleaning in both directions.
- C-Tips are for mechanically fastened or vulcanized belts. V-Tips are for vulcanized belts only.
- Tensioner mounting brackets included for fast and easy installation.
- Cartridge Removal Kit included for easy removal of the cartridge.

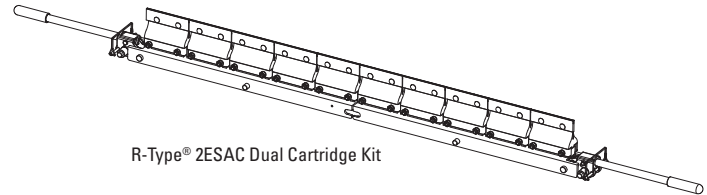
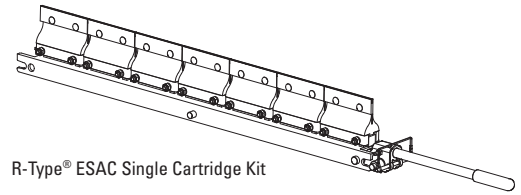
Product Ordering Information

R-Type® ESAC Secondary Cleaner Replacement Cartridge Kits

With C-Tips

BELT WIDTH		ORDERING NUMBER	ITEM CODE	WT. LBS.
in.	mm			
24	600	R-CARK-C24/600	78098	27.1
30	750	R-CARK-C30/750	78099	32.3
36	900	R-CARK-C36/900	78100	36.4
42	1050	R-CARK-C42/1050	78101	42.6
48	1200	R-CARK-C48/1200	78102	47.7
54	1350	R-CARK-C54/1350	78103	52.9
60	1500	R-CARK-C60/1500	78104	58.2
72	1800	R-CARK-C72/1800	78105	68.5
60	1500	R-CARK2-C60/1500	78114	69.6
72	1800	R-CARK2-C72/1800	78115	74.8
84	2100	R-CARK2-C84/2100	78116	85.2
96	2400	R-CARK2-C96/2400	78117	95.5
120	3000	R-CARK2-C120/3000	78118	116.5

Lead time: 1 working day



With V-Tips*

BELT WIDTH		ORDERING NUMBER	ITEM CODE	WT. LBS.
in.	mm			
24	600	R-CARK-V24/600	78106	27.1
30	750	R-CARK-V30/750	78107	32.3
36	900	R-CARK-V36/900	78108	36.4
42	1050	R-CARK-V42/1050	78109	42.6
48	1200	R-CARK-V48/1200	78110	47.7
54	1350	R-CARK-V54/1350	78111	52.9
60	1500	R-CARK-V60/1500	78112	58.2
72	1800	R-CARK-V72/1800	78113	68.5
60	1500	R-CARK2-V60/1500	78119	69.6
72	1800	R-CARK2-V72/1800	78120	74.8
84	2100	R-CARK2-V84/2100	78121	85.2
96	2400	R-CARK2-V96/2400	78122	95.5
120	3000	R-CARK2-V120/3000	78123	116.5

*NOTE: V-Tips can be used ONLY on vulcanized belts.

Lead time: 1 working day

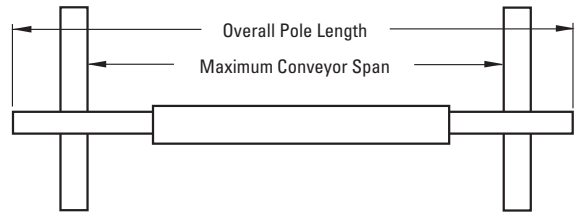
Shaded items are made to order.
Lead time: 15 working days

Specifications & Guidelines

R-Type® ESAC Secondary Cleaner with Enhanced Service Advantage Cartridge

Pole Length Specifications

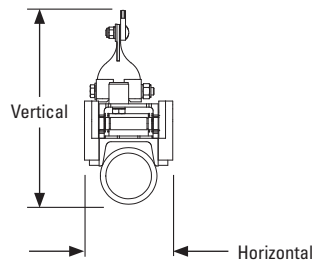
VERSION	CLEANER SIZE		BLADE WIDTH		POLE LENGTH		MAXIMUM CONVEYOR SPAN	
	in.	mm	in.	mm	in.	mm	in.	mm
Single	24	600	24	600	78	1950	66	1650
	30	750	30	750	84	2100	72	1800
	36	900	36	900	90	2250	78	1950
	42	1050	42	1050	96	2400	84	2100
	48	1200	48	1200	102	2550	90	2250
	54	1350	54	1350	108	2700	96	2400
	60	1500	60	1500	114	2850	102	2550
Dual	60	1500	60	1500	120	3000	108	2700
	72	1800	72	1800	132	3300	120	3000
	84	2100	84	2100	144	3600	132	3300
	96	2400	96	2400	156	3900	144	3600
	120	3000	120	3000	180	4500	168	4200



*For special extra long pole length requirements a Pole Extender Kit (#76024) is available that provides 30" (750 mm) of extended pole length (p. 138). Pole Diameter - 2-7/8" (73 mm).

Clearance Guidelines for Installation

VERSION	HORIZONTAL CLEARANCE REQUIRED		VERTICAL CLEARANCE REQUIRED	
	in.	mm	in.	mm
Single	4-1/2	114	10	254
Dual	4-1/2	114	11-3/4	298



Aluminum Content

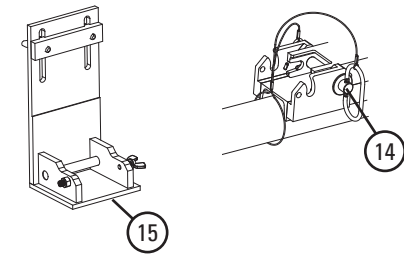
ALUMINUM ALLOY TYPE	PERCENT	
	Mg Magnesium	Ti Titanium
6061	1.0%	0.0%

Specifications:

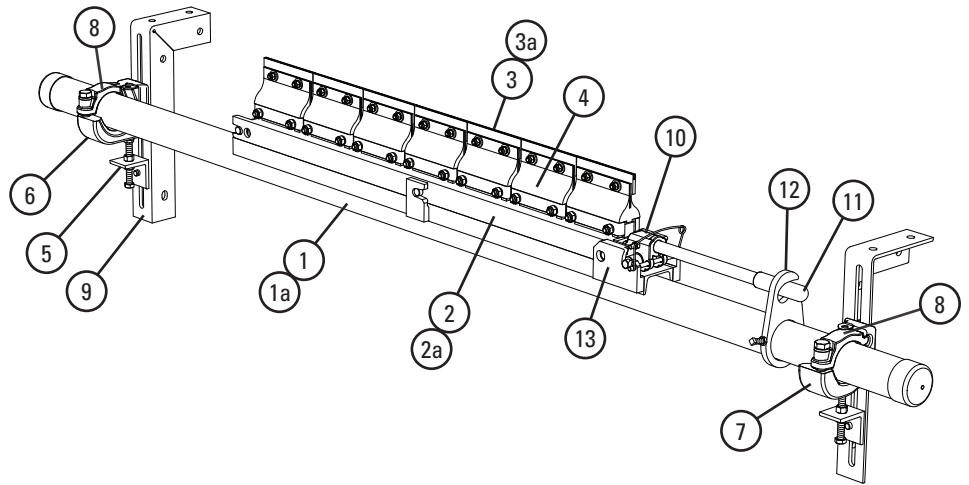
- Maximum Belt Speed 1000 FPM (5 m/s)
- Temperature Rating -30 to 180°F (-35 to 82°C)
- Usable Blade Wear Length 3/8" (9 mm)
- Blade Materials C-Tip: Impact Resistant Tungsten Carbide (works with mechanical fasteners)
V-Tip: Long Life Tungsten Carbide (for vulcanized belts only)
- Available for Belt Widths 24 to 120" (600 to 3000 mm) Other sizes available upon request.
- CEMA Cleaner Rating Class 4

Replacement Parts List

R-Type® ESAC Secondary Cleaner with Enhanced Service Advantage Cartridge



Tip Alignment Tool for Dual Cartridge Cleaners



Replacement Parts

REF	DESCRIPTION	ORDERING NUMBER	ITEM CODE	WT. LBS.
1	ESAC Pole 24" (600mm)	SACPL-24/600	77887	65.4
	ESAC Pole 30" (750mm)	SACPL-30/750	77888	71.2
	ESAC Pole 36" (900mm)	SACPL-36/900	77889	77.1
	ESAC Pole 42" (1050mm)	SACPL-42/1050	77890	82.9
	ESAC Pole 48" (1200mm)	SACPL-48/1200	77891	88.8
	ESAC Pole 54" (1350mm)	SACPL-54/1350	77892	94.6
	ESAC Pole 60" (1500mm)	SACPL-60/1500	77893	100.5
	ESAC Pole 72" (1800mm)	SACPL-72/1800	77894	112.2
	ESAC Center Pole 60" (1500mm) (Dual)	SACPL2-60/1500	77895	77.3
	ESAC Center Pole 72" (1800mm) (Dual)	SACPL2-72/1800	77896	89.5
	ESAC Center Pole 84" (2100mm) (Dual)	SACPL2-84/2100	77897	101.8
	ESAC Center Pole 96" (2400mm) (Dual)	SACPL2-96/2400	77898	114.1
ESAC Center Pole 120" (3000mm) (Dual)	SACPL2-120/3000	77899	142.3	
1a	Extender Pole (for use with Dual Cartridge Center Pole)	MHP-EP	76392	54.0
2	ESAC 24" (600mm)	CART-24/600	77900	3.5
	ESAC 30" (750mm)	CART-30/750	77901	4.3
	ESAC 36" (900mm)	CART-36/900	77902	5.1
	ESAC 42" (1050mm)	CART-42/1050	77903	5.9
	ESAC 48" (1200mm)	CART-48/1200	77904	6.7
	ESAC 54" (1350mm)	CART-54/1350	77905	7.4
	ESAC 60" (1500mm)	CART-60/1500	77906	8.4
	ESAC 72" (1800mm)	CART-72/1800	77907	10.0
	ESAC 60" (1500mm) (Dual)	CART2-60/1500	77908	8.6
	ESAC 72" (1800mm) (Dual)	CART2-72/1800	77909	10.2
	ESAC 84" (2100mm) (Dual)	CART2-84/2100	77910	11.7
	ESAC 96" (2400mm) (Dual)	CART2-96/2400	77911	13.3
	ESAC 120" (3000mm) (Dual)	CART2-120/3000	77912	16.8
2a	ESAC R-Type Adapter Plate 24" (600mm)	RCAP-24/600	77921	6.3
	ESAC R-Type Adapter Plate 30" (750mm) §	RCAP-30/750	77922	7.9
	ESAC R-Type Adapter Plate 36" (900mm) §	RCAP-36/900	77923	9.4
	ESAC R-Type Adapter Plate 42" (1050mm) §	RCAP-42/1050	77924	11.1
	ESAC R-Type Adapter Plate 48" (1200mm) §	RCAP-48/1200	77925	12.6
	ESAC R-Type Adapter Plate 54" (1350mm)	RCAP-54/1350	77926	14.2
	ESAC R-Type Adapter Plate 60" (1500mm) §	RCAP-60/1500	77927	15.8
	ESAC R-Type Adapter Plate 72" (1800mm)	RCAP-72/1800	77928	19.0

§If using a dual cartridge, please take the cleaner size and divide by two.
That dimension is the size of the brackets needed for conversion to an R-Type® cleaner.

Replacement Parts

REF	DESCRIPTION	ORDERING NUMBER	ITEM CODE	WT. LBS.
3	C-Tip*	ICT6	74535	0.7
3a	R V-Tip* (for vulcanized belts only)	RSA150	73628	1.3
4	R2 C-Tip Cushion*	RSA	76249	2.0
5	Adjusting Bracket Kit* (1 ea.)	PAB	75513	1.5
6	HD Pole Clamp Kit Left* (1 ea.) (incl. item 8)	CCKHDL	79225	8.7
7	HD Pole Clamp Kit Right* (1 ea.) (incl. item 8)	CCKHDR	79229	8.7
8	HD Cradle Clamp Top Strap (1 ea.) (for use with L or R HD Pole Clamp Kit)	CCKHDTS	79233	1.7
9	Mounting Bracket Kit (1 Right and 1 Left)	EZS2MBK	75666	13.0
-	HD Cradle Clamp Mounting Kit* (incl. (2) item 5; (1) ea. items 6, 7 & 9)	CCMKHD	78920	36.7
10	ESAC Removal Knuckle	SACRKN	77882	3.2
11	ESAC Removal Handle	SACRH	77883	3.0
12	ESAC Handle Lock Plate	SACRHL	77884	1.7
13	Knuckle Retainer Pin	SACKRP	77885	0.2
14	SAC Hitch Pin	SACHP2	77768	0.9
-	ESAC Removal Kit (incl. (1) ea. items 10-14)	SACRKT	77886	9.0
15	ESAC Tip Alignment Tool (Dual)	SAC2-TIP-TL	77866	2.5

*Hardware Included
Lead Time: 1 working day

Shaded items are made to order.
Lead time: 15 working days

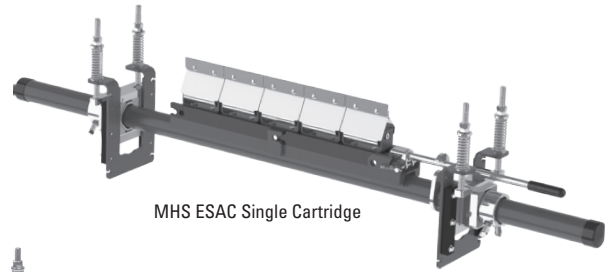
Product Ordering Information

MHS ESAC Heavy-Duty Secondary Cleaner with Enhanced Service Advantage Cartridge

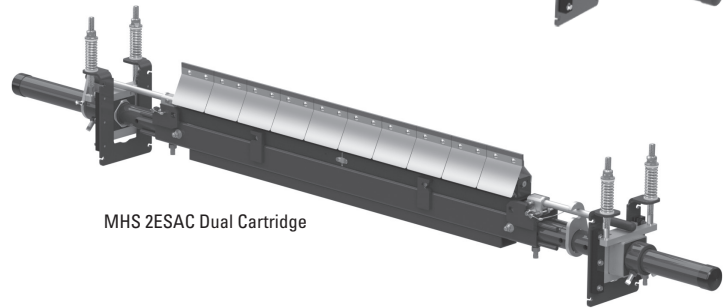
With C-Tips

BELT WIDTH		ORDERING NUMBER	ITEM CODE	WT. LBS.
in.	mm			
24	600	MHS-24-ESAC	77840	195.0
30	750	MHS-30-ESAC	77841	206.5
36	900	MHS-36-ESAC	77842	218.5
42	1050	MHS-42-ESAC	77843	230.1
48	1200	MHS-48-ESAC	77844	241.6
54	1350	MHS-54-ESAC	77845	253.2
60	1500	MHS-60-ESAC	77846	264.9
72	1800	MHS-72-ESAC	77847	288.4
60	1500	MHS-60-2ESAC	77848	309.1
72	1800	MHS-72-2ESAC	77849	332.9
84	2100	MHS-84-2ESAC	77850	356.6
96	2400	MHS-96-2ESAC	77851	381.1
120	3000	MHS-120-2ESAC	77852	432.5

Lead time: 1 working day



MHS ESAC Single Cartridge



MHS 2ESAC Dual Cartridge

With V-Tips*

BELT WIDTH		ORDERING NUMBER	ITEM CODE	WT. LBS.
in.	mm			
24	600	MHS-24V-ESAC	77853	195.0
30	750	MHS-30V-ESAC	77854	206.5
36	900	MHS-36V-ESAC	77855	218.5
42	1050	MHS-42V-ESAC	77856	230.1
48	1200	MHS-48V-ESAC	77857	241.6
54	1350	MHS-54V-ESAC	77858	253.2
60	1500	MHS-60V-ESAC	77859	264.9
72	1800	MHS-72V-ESAC	77860	288.4
60	1500	MHS-60V-2ESAC	77861	309.1
72	1800	MHS-72V-2ESAC	77862	332.9
84	2100	MHS-84V-2ESAC	77863	356.6
96	2400	MHS-96V-2ESAC	77864	381.1
120	3000	MHS-120V-2ESAC	77865	432.5

*NOTE: V-Tips can be used ONLY on vulcanized belts.

Lead time: 1 working day

Replacement Tips

ORDERING NUMBER	ITEM CODE	WT. LBS.
ICT6	74535	0.7
RSA150	73628	1.3

Lead time: 1 working day

Replacement Shields

ORDERING NUMBER	ITEM CODE	WT. LBS.
PFS-ESAC	79073	0.5
PFRS	76622	0.4

Lead time: 1 working day

Shaded items are made to order.
Lead time: 15 working days

Tips Required per Cleaner Size

in.	24	30	36	42	48	54	60	72	84	96	120
mm	600	750	900	1050	1200	1350	1500	1800	2100	2400	3000
No. C-Tips or V-Tips Required	4	5	6	7	8	9	10	12	14	16	20

Product Notes:

- Patented Enhanced Service Advantage Cartridge™ allows for easy removal in even the dirtiest conditions.
- Heavy-duty design to deliver maximum cleaning efficiency on the most demanding, abusive beltlines.
- Pole Length: Belt width plus 54" (1350 mm) (single cartridge cleaners); Belt width plus 60" (1500 mm) (dual cartridge cleaners).
- Patented PowerFlex™ cushion design to maintain continuous blade-to-belt contact and quick relief from passing mechanical splices.
- C-Tips are for mechanically fastened or vulcanized belts. V-Tips are for vulcanized belts only.
- Visual Blade Tension Check: Measure the tension spring and refer to Spring Length Chart on mounting base for the correct length for best cleaning performance.
- Tensioner mounting brackets included for fast and easy installation.
- Cartridge Removal Kit included for easy removal of the cartridge.

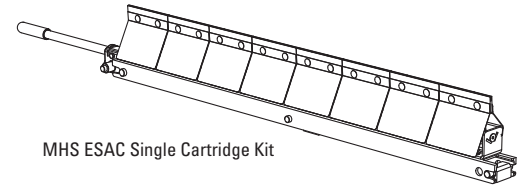
Product Ordering Information

MHS ESAC Heavy-Duty Secondary Cleaner Replacement Cartridge Kits

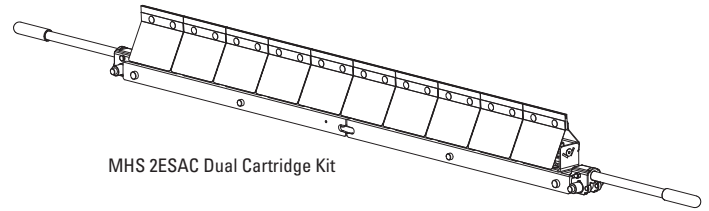
With C-Tips

BELT WIDTH		ORDERING NUMBER	ITEM CODE	WT. LBS.
in.	mm			
24	600	MHS-CARK-C24/600	77929	29.4
30	750	MHS-CARK-C30/750	77930	35.1
36	900	MHS-CARK-C36/900	77931	40.8
42	1050	MHS-CARK-C42/1050	77932	46.5
48	1200	MHS-CARK-C48/1200	77933	52.3
54	1350	MHS-CARK-C54/1350	77934	58.0
60	1500	MHS-CARK-C60/1500	77935	63.8
72	1800	MHS-CARK-C72/1800	77936	75.3
60	1500	MHS-CARK2-C60/1500	77945	70.2
72	1800	MHS-CARK2-C72/1800	77946	81.6
84	2100	MHS-CARK2-C84/2100	77947	93.1
96	2400	MHS-CARK2-C96/2400	77948	104.5
120	3000	MHS-CARK2-C120/3000	77949	127.7

Lead time: 1 working day



MHS ESAC Single Cartridge Kit



MHS 2ESAC Dual Cartridge Kit

With V-Tips*

BELT WIDTH		ORDERING NUMBER	ITEM CODE	WT. LBS.
in.	mm			
24	600	MHS-CARK-V24/600	77937	29.4
30	750	MHS-CARK-V30/750	77938	35.1
36	900	MHS-CARK-V36/900	77939	40.8
42	1050	MHS-CARK-V42/1050	77940	46.5
48	1200	MHS-CARK-V48/1200	77941	52.3
54	1350	MHS-CARK-V54/1350	77942	58.0
60	1500	MHS-CARK-V60/1500	77943	63.8
72	1800	MHS-CARK-V72/1800	77944	75.3
60	1500	MHS-CARK2-V60/1500	77950	70.2
72	1800	MHS-CARK2-V72/1800	77951	81.6
84	2100	MHS-CARK2-V84/2100	77952	93.1
96	2400	MHS-CARK2-V96/2400	77953	104.5
120	3000	MHS-CARK2-V120/3000	77954	127.7

*NOTE: V-Tips can be used ONLY on vulcanized belts.

Lead time: 1 working day

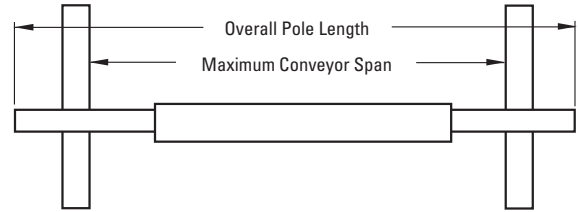
Shaded items are made to order.
Lead time: 15 working days

Specifications & Guidelines

MHS ESAC Heavy-Duty Secondary Cleaner with Enhanced Service Advantage Cartridge

Pole Length Specifications

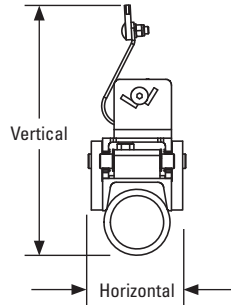
VERSION	CLEANER SIZE		BLADE WIDTH		POLE LENGTH		MAXIMUM CONVEYOR SPAN	
	in.	mm	in.	mm	in.	mm	in.	mm
Single	24	600	24	600	78	1950	66	1650
	30	750	30	750	84	2100	72	1800
	36	900	36	900	90	2250	78	1950
	42	1050	42	1050	96	2400	84	2100
	48	1200	48	1200	102	2550	90	2250
	54	1350	54	1350	108	2700	96	2400
	60	1500	60	1500	114	2850	102	2550
Dual	60	1500	60	1500	120	3000	108	2700
	72	1800	72	1800	132	3300	120	3000
	84	2100	84	2100	144	3600	132	3300
	96	2400	96	2400	156	3900	144	3600
	120	3000	120	3000	180	4500	168	4200



*For special extra long pole length requirements a Pole Extender Kit (#76024) is available that provides 30" (750 mm) of extended pole length (p. 138). Pole Diameter - 2-7/8" (73 mm).

Clearance Guidelines for Installation

VERSION	HORIZONTAL CLEARANCE REQUIRED		VERTICAL CLEARANCE REQUIRED	
	in.	mm	in.	mm
Single	4-1/2	114	11	279
Dual	4-1/2	114	12-1/2	318



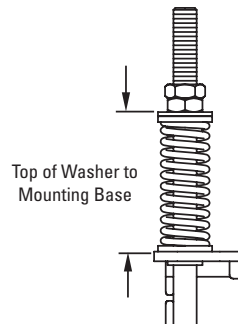
Aluminum Content

ALUMINUM ALLOY TYPE	PERCENT	
	Mg Magnesium	Ti Titanium
6061	1.0%	0.0%

CST Spring Length Chart

Blade Width		White Springs		Silver Springs		Black Springs		Gold Springs	
in.	mm	in.	mm	in.	mm	in.	mm	in.	mm
24	600	3 1/8	80	3 7/8	98	N/A	N/A	N/A	N/A
30	750	2 7/8	73	3 3/4	95	N/A	N/A	N/A	N/A
36	900	N/A	N/A	3 3/4	95	3 7/8	98	N/A	N/A
42	1050	N/A	N/A	3 5/8	92	3 3/4	95	N/A	N/A
48	1200	N/A	N/A	3 1/2	89	3 5/8	92	N/A	N/A
54	1350	N/A	N/A	3 3/8	86	3 5/8	92	N/A	N/A
60	1500	N/A	N/A	3 1/4	83	3 1/2	89	4	101
72	1800	N/A	N/A	N/A	N/A	3 3/8	86	4	101
84	2100	N/A	N/A	N/A	N/A	3 1/8	80	3 7/8	98
96	2400	N/A	N/A	N/A	N/A	N/A	N/A	3 7/8	98
120	3000	N/A	N/A	N/A	N/A	N/A	N/A	3 5/8	92

Shading indicates preferred spring option

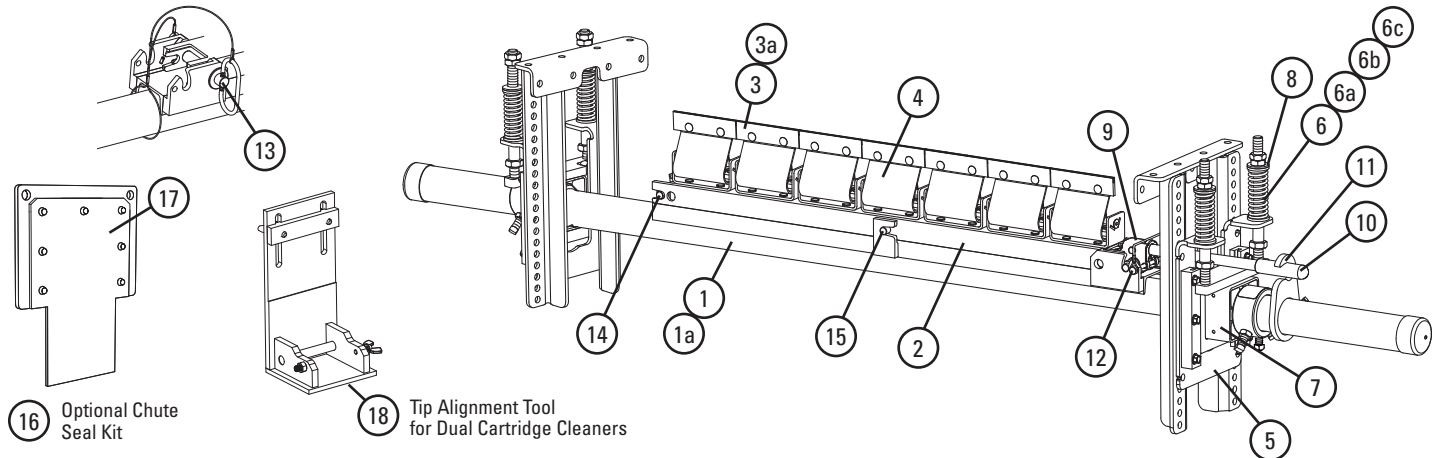


Specifications:

- Maximum Belt Speed 1200 FPM (6 m/s)
- Temperature Rating -30 to 180°F (-35 to 82°C)
- Usable Blade Wear Length..... 3/8" (9 mm)
- Blade Materials C-Tip: Impact Resistant Tungsten Carbide (works with mechanical fasteners)
V-Tip: Long Life Tungsten Carbide (for vulcanized belts only)
- Available for Belt Widths 24 to 120" (600 to 3000 mm) Other sizes available upon request.
- CEMA Cleaner Rating Class 5

Replacement Parts List

MHS ESAC Heavy-Duty Secondary Cleaner with Enhanced Service Advantage Cartridge



Replacement Parts

REF	DESCRIPTION	ORDERING NUMBER	ITEM CODE	WT. LBS.
1	ESAC Pole 24" (600mm)	SACPL-24/600	77887	65.4
	ESAC Pole 30" (750mm)	SACPL-30/750	77888	71.2
	ESAC Pole 36" (900mm)	SACPL-36/900	77889	77.1
	ESAC Pole 42" (1050mm)	SACPL-42/1050	77890	82.9
	ESAC Pole 48" (1200mm)	SACPL-48/1200	77891	88.8
	ESAC Pole 54" (1350mm)	SACPL-54/1350	77892	94.6
	ESAC Pole 60" (1500mm)	SACPL-60/1500	77893	100.5
	ESAC Pole 72" (1800mm)	SACPL-72/1800	77894	112.2
	ESAC Center Pole 60" (1500mm) (Dual)	SACPL2-60/1500	77895	77.3
	ESAC Center Pole 72" (1800mm) (Dual)	SACPL2-72/1800	77896	89.5
	ESAC Center Pole 84" (2100mm) (Dual)	SACPL2-84/2100	77897	101.8
	ESAC Center Pole 96" (2400mm) (Dual)	SACPL2-96/2400	77898	114.1
	ESAC Center Pole 120" (3000mm) (Dual)	SACPL2-120/3000	77899	142.3
1a	Extender Pole (for use with Dual Cartridge Center Pole)	MHP-EP	76392	54.0
2	ESAC 24" (600mm)	CART-24/600	77900	3.5
	ESAC 30" (750mm)	CART-30/750	77901	4.3
	ESAC 36" (900mm)	CART-36/900	77902	5.1
	ESAC 42" (1050mm)	CART-42/1050	77903	5.9
	ESAC 48" (1200mm)	CART-48/1200	77904	6.7
	ESAC 54" (1350mm)	CART-54/1350	77905	7.4
	ESAC 60" (1500mm)	CART-60/1500	77906	8.4
	ESAC 72" (1800mm)	CART-72/1800	77907	10.0
	ESAC 60" (1500mm) (Dual)	CART2-60/1500	77908	8.6
	ESAC 72" (1800mm) (Dual)	CART2-72/1800	77909	10.2
	ESAC 84" (2100mm) (Dual)	CART2-84/2100	77910	11.7
	ESAC 96" (2400mm) (Dual)	CART2-96/2400	77911	13.3
ESAC 120" (3000mm) (Dual)	CART2-120/3000	77912	16.8	
3	C-Tip*	ICT6	74535	0.7
3a	V-Tip* (for vulcanized belts only)	RSA150	73628	1.3
4	PowerFlex™ Cushion*	PFC	75927	4.2
5	CST HD Mounting Base Kit*	CSTHDMK	77871	8.5
6	CST Spring - White (1 ea.)	CTS-W	77742	0.5
6a	CST Spring - Silver (1 ea.)	CTS-S	77743	0.5
6b	CST Spring - Black (1 ea.)	CTS-B	77744	0.6
6c	CST Spring - Gold (1 ea.)	CTS-G	77745	0.8
7	CST HD Torsion Pole Mount* (1 ea.)	CSTHDPM	77869	16.4
8	CST Bushing Kit (incl. 4 bushings)	CSTBK	77037	0.1

*Hardware Included
Lead Time: 1 working day

Shaded items are made to order.
Lead time: 15 working days

Replacement Parts

REF	DESCRIPTION	ORDERING NUMBER	ITEM CODE	WT. LBS.
-	CST HD Cartridge Tensioner - White (incl. (1) ea. items 5, 7, 8; (2) ea. item 6)	CST1HD-W	77872	30.1
-	CST HD Cartridge Tensioner - Silver (incl. (1) ea. items 5, 7, 8; (2) ea. item 6a)	CST1HD-S	77873	30.1
-	CST HD Cartridge Tensioner - Black (incl. (1) ea. items 5, 7, 8; (2) ea. item 6b)	CST1HD-B	77874	30.1
-	CST HD Cartridge Tensioner - Gold (incl. (1) ea. items 5, 7, 8; (2) ea. item 6c)	CST1HD-G	77875	30.7
9	ESAC Removal Knuckle	SACRKN	77882	3.2
10	ESAC Removal Handle	SACRHL	77883	3.0
11	ESAC Handle Lock Plate	SACRHL	77884	1.7
12	Knuckle Retainer Pin	SACKRP	77885	0.2
13	SAC Hitch Pin	SACHP2	77768	0.9
14	Flexible End Pin	FLXEP	91431	1
15	Flexible Center Pin	FLXCP	91430	1
-	ESAC Removal Kit (incl. (1) ea. items 10-14)	SACRKT	77886	9.0
16	ESAC Chute Seal Kit	SACSK	77052	3.9
17	ESAC Chute Seal Replacement Cover	SACSRC	77065	0.5
18	ESAC Tip Alignment Tool (Dual)	SAC2-TIP-TL	77866	2.5

Legacy Replacement Parts for Tensioners shipped prior to Dec. 31, 2014*

REF	DESCRIPTION	ORDERING NUMBER	ITEM CODE
L1	Adjusting Rod Kit* (incl. 1 rod, 2 nuts, 1 bushing, 1 washer) for belts 18-60" (450-1500mm)	STAK	75847
L2	HD Adjusting Rod Kit* (incl. 1 rod, 2 nuts, 1 HD bushing, 1 washer) for belts 72-96" (1800-2400mm)	STAKHD	75892
L3	SST Hat Channel Kit	SSTHK	79070

*Verify if legacy parts are needed by looking at threaded rod. If it has standard threads, use legacy parts. If it has flat/acme threads, choose from regular replacement parts.

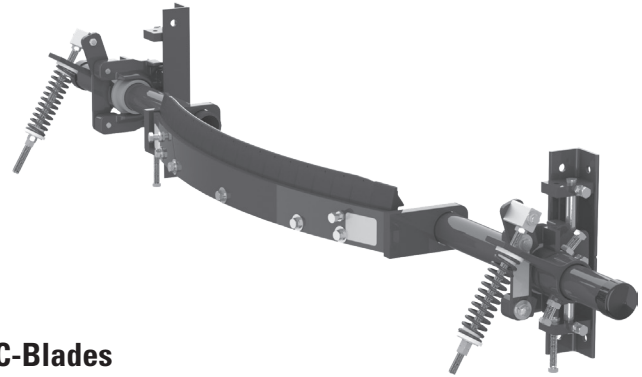


Spring Tensioner Selection Chart

CLEANER SIZE	77872 CST1HD-W	77873 CST1HD-S	77874 CST1HD-B	77875 CST1HD-G
MHS ESAC 18-30" (450-750mm)	X			
MHS ESAC 36-48" (900-1200mm)		X		
MHS ESAC 54-84" (1350-2100mm)			X	
MHS ESAC 96-120" (2400-3000mm)				X

Product Ordering Information

U-Type®
Secondary Cleaner



With C-Blade (Impact-Resistant Tungsten Carbide)*

BELT WIDTH		ORDERING NUMBER	ITEM CODE	WT. LBS.
in.	mm			
18	450	UTC18	76712	100.0
24	600	UTC24	76713	106.7
30	750	UTC30	76714	114.4
36	900	UTC36	76715	120.1
42	1050	UTC42	76716	126.7
48	1200	UTC48	76717	134.5
54	1350	UTC54	76718	141.0
60	1500	UTC60	76719	148.8
72	1800	UTC72	76720	225.2
84	2100	UTC84	76721	241.5

*NOTE: C-Blades can be used on Flexco® Solid Plate, mechanically fastened and vulcanized belts.

Lead time: 1 working day

Replacement C-Blades

BELT WIDTH		ORDERING NUMBER	ITEM CODE	WT. LBS.
in.	mm			
18	450	URCB18/450	76748	5.0
24	600	URCB24/600	76749	6.7
30	750	URCB30/750	76750	8.4
36	900	URCB36/900	76751	10.1
42	1050	URCB42/1050	76752	11.7
48	1200	URCB48/1200	76753	13.5
54	1350	URCB54/1350	76754	15.0
60	1500	URCB60/1500	76755	16.8
72	1800	URCB72/1800	76756	20.2
84	2100	URCB84/2100	76757	23.5

*NOTE: C-Blades can be used on Flexco® Solid Plate, mechanically fastened and vulcanized belts.

Lead time: 1 working day

With F-Blade (Polyurethane)*

BELT WIDTH		ORDERING NUMBER	ITEM CODE	WT. LBS.
in.	mm			
18	450	UTF18	76724	98.0
24	600	UTF24	76725	104.0
30	750	UTF30	76726	111.0
36	900	UTF36	76727	116.0
42	1050	UTF42	76728	122.0
48	1200	UTF48	76729	129.0
54	1350	UTF54	76730	135.0
60	1500	UTF60	76731	142.0
72	1800	UTF72	76732	217.0
84	2100	UTF84	76733	232.0

*NOTE: F-Blades (Polyurethane) can be used on mechanically spliced and vulcanized belts.

Lead time: 1 working day

Replacement F-Blades

BELT WIDTH		ORDERING NUMBER	ITEM CODE	WT. LBS.
in.	mm			
18	450	UFB18	74448	3.0
24	600	UFB24	74449	4.0
30	750	UFB30	74450	5.0
36	900	UFB36	74451	6.0
42	1050	UFB42	74452	7.0
48	1200	UFB48	74453	8.0
54	1350	UFB54	74454	9.0
60	1500	UFB60	74455	10.0
72	1800	UFB72	74456	12.0
84	2100	UFB84	74460	14.0

*NOTE: F-Blades (Polyurethane) can be used on mechanically spliced and vulcanized belts.

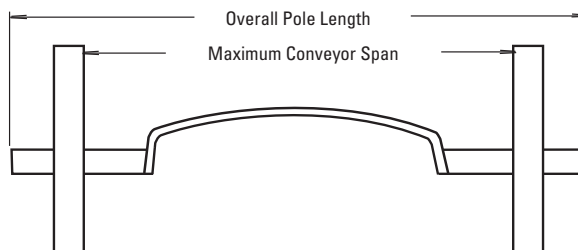
Lead time: 1 working day

Specifications & Guidelines

Pole Length Specifications

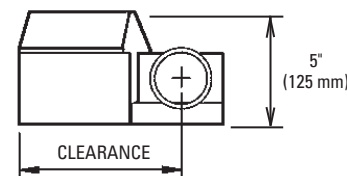
CLEANER SIZE		POLE LENGTH		MAXIMUM CONVEYOR SPAN	
in.	mm	in.	mm	in.	mm
18	450	64	1600	54	1350
24	600	70	1750	60	1500
30	750	76	1900	66	1650
36	900	82	2050	72	1800
42	1050	88	2200	78	1950
48	1200	94	2350	84	2100
54	1350	100	2500	90	2250
60	1500	106	2650	96	2400
72	1800	124	3100	114	2850
84	2100	136	3400	126	3150

Pole Diameter - 18 to 54" (450 to 1350 mm) cleaner 2-3/8" (60 mm)
 Pole Diameter - 60 to 84" (1500 to 2400 mm) cleaner 2-7/8" (73 mm)



Clearance Guidelines for Installation

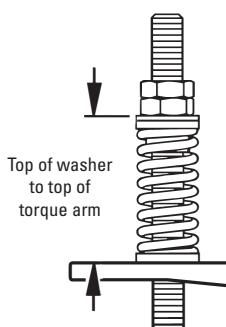
CLEANER SIZE		CLEARANCE	
in.	mm	in.	mm
18	450	6	155
24	600	7	180
30	750	8	205
36	900	8	205
42	1050	9 1/4	235
48	1200	10 1/2	270
54	1350	10 3/4	275
60	1500	10 3/4	275
72	1800	10 3/4	275
84	2100	10 3/4	275
96	2400	10 3/4	275



UST Spring Length Chart

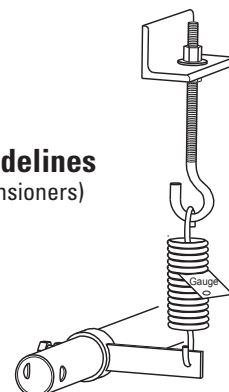
Blade Width		Purple Springs		Silver Springs		White Springs	
in.	mm	in.	mm	in.	mm	in.	mm
18	450	5 5/8	143	N/A	N/A	N/A	N/A
24	600	5 1/4	133	6	152	N/A	N/A
30	750	4 5/8	117	5 3/4	146	6 1/8	156
36	900	4 1/4	108	5 5/8	143	6	152
42	1050	N/A	N/A	5 1/4	133	5 3/4	146
48	1200	N/A	N/A	4 7/8	124	5 1/2	140
54	1350	N/A	N/A	4 5/8	117	5 3/8	137
60	1500	N/A	N/A	N/A	N/A	5 1/4	133
72	1800	N/A	N/A	N/A	N/A	4 7/8	124
84	2100	N/A	N/A	N/A	N/A	4 5/8	117

Shading indicates preferred spring option.



Spring Tensioner Guidelines (For Cleaners with J-Bolt Tensioners)

- Spring gap = .03" (.7 mm)
- * Gauge provided

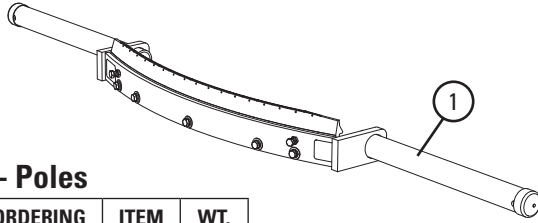


Specifications:

- Maximum Belt SpeedC-Blade: 1300 FPM (6.6 m/s)
F-Blade: 1000 FPM (5 m/s)
- Temperature Rating-30 to 180°F (-35 to 82°C)
- Usable Blade Wear Length.....C-Blade: 3/8" (9 mm)
F-Blade: 1 3/4" (44 mm)
- Available for Belt Widths18 to 84" (450 to 2100 mm) Other sizes available upon request.
- CEMA Cleaner RatingClass 5

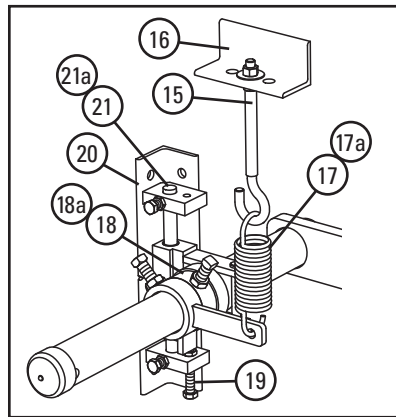
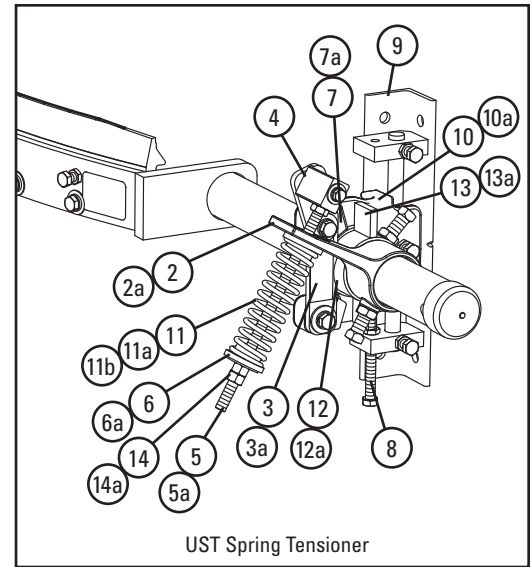
Replacement Parts List

U-Type®
Secondary Cleaner



Replacement Parts - Poles

REF	DESCRIPTION	ORDERING NUMBER	ITEM CODE	WT. LBS.
1	18" (450mm) Pole	USP18/450	76772	45.0
	24" (600mm) Pole	USP24/600	76773	50.0
	30" (750mm) Pole	USP30/750	76774	56.0
	36" (900mm) Pole	USP36/900	76775	60.0
	42" (1050mm) Pole	USP42/1050	76776	65.0
	48" (1200mm) Pole	USP48/1200	76777	71.0
	54" (1350mm) Pole	USP54/1350	76778	76.0
	60" (1500mm) Pole	USP60/1500	76779	82.0
	72" (1800mm) Pole	USP72/1800	76780	125.0
84" (2100mm) Pole	USP84/2100	76781	138.0	



For use in changing UST to J-Bolt Tensioner

Replacement Parts - UST Tensioner

REF	DESCRIPTION	ORDERING NUMBER	ITEM CODE	WT. LBS.
2	Torque Arm Kit* (1 ea.) †Δ	ESTAK-EST	76406	3.6
2a	Torque Arm Kit HD* (1 ea.) §	PSTA	75896	11.4
3	Pivot Shaft Bracket Kit* (1 ea.) †Δ	UPSBK	76784	1.7
4	Pivot Rod Kit* (1 ea.) †Δ	UPBKA	114389	2.2
4a	Pivot Rod Kit HD* (1 ea.) §	QMTPAK	76096	4.3
5	Bushing Kit (incl. 2 bushings) †Δ	ESBK-PS	76410	0.1
5a	Bushing Kit HD (incl. 2 bushings) §	QMTBK-WV	76098	0.1
6	Standard Pole Bearing (1 ea.) †Δ	USPB2	79206	0.1
6a	HD Pole Bearing (1 ea.) §	UHPB2	79207	0.2
7	Adjusting Bolt Kit (1 ea.) (incl. locknut)	ABU	76788	0.2
8	Mounting Bracket Kit* (1 ea.)	UMBK	76789	9.7
9	Slide Plate Kit* (1 ea.) †Δ	USPK	76790	4.6
9a	HD Slide Plate Kit* (1 ea.) §	UHSPK	76791	5.2
10	Tension Spring - Purple (1 ea.) †	QMTS-P	75845	0.6
10a	Tension Spring - Silver (1 ea.) Δ	ESS-S	76412	1.2
10b	Tension Spring - White (1 ea.) §	PSTS-W	75898	1.7
11	UST Stop Collar Retrofit Kit* †Δ	USTSCK	79202	5.0
11a	HD UST Stop Collar Retrofit Kit* §	USTSCKHD	79204	7.4
12	Stop Collar*	USTSC	79299	1.5
12a	HD Stop Collar*	USTSCHD	79300	2.0
13	ACME Jam Nut Kit UST	JNK-G	114390	0.3
13a	Jam Nut Kit USTHD	JNK-C	79893	0.3
-	UST Spring Tensioner* - Purple † (incl. (1) ea. items 2, 3, 4, 5, 7, 8, 9, 10)	UST-P	76794	25.0
-	UST Spring Tensioner* - Silver Δ (incl. (1) ea. items 2, 3, 4, 5, 7, 8, 9, 10a)	UST-S	77757	25.0
-	HD UST Spring Tensioner* - White § (incl. (1) ea. items 2a, 3a, 4a, 5a, 7, 8, 9a, 10b)	UST-W	76795	40.0
-	Standard Mounting Kit* (incl. (1) ea. items 7, 8, 9) † Δ for blade widths 18-54" (450-1350mm)	USMK	76792	14.6
-	HD Mounting Kit* (incl. (1) ea. items 7, 8, 9a) § for blade widths 60-84" (1500-2100mm)	UHMK	76793	15.5

*Hardware included

† Standard components for blade widths 18-42" (450-1050 mm)

Δ Standard components for blade widths 48-60" (1200-1500 mm)

§ HD components for blade widths 72-84" (1800-2100 mm)

Replacement Parts - J-bolt Tensioner

REF	DESCRIPTION	ORDERING NUMBER	ITEM CODE	WT. LBS.
14	J-Bolt (incl. locknut & washer)	STJK	74417	0.7
15	J-Bolt Mount (1 ea.)	STJM	74775	3.0
16	Tension Spring (1 ea.) †	STTS	74419	1.4
16a	HD Tension Spring (1 ea.) §	HDTSC	74502	2.0
17	Stop Collar †	USTSC	79299	1.5
17a	HD Stop Collar §	USTSCHD	79300	2.0
18	Adjusting Bolt Kit (1 ea.) (incl. locknut)	ABU	76788	0.2
19	Mounting Bracket Kit* (1 ea.)	UMBK	76789	9.7
20	Slide Plate Kit* (1 ea.) †Δ	USPK	76790	4.6
20a	HD Slide Plate Kit* (1 ea.) §	UHSPK	76791	5.2
-	J-Bolt Conversion Kit † (Optional) (incl. (2) ea. items 15, 16, 17, 18)	UBTK	76977	4.7
-	HD J-Bolt Conversion Kit § (Optional) (incl. (2) ea. items 15, 16, 17a, 18a)	UHDBTK	76978	5.2
-	Standard Mounting Kit* (incl. (1) ea. items 8, 9, 10) † Δ for blade widths 18-54" (450-1350mm)	USMK	76792	14.6
-	HD Mounting Kit* (incl. (1) ea. items 8, 9, 10a) § for blade widths 60-84" (1500-2100mm)	UHMK	76793	15.5
-	18-54" J-Bolt Complete Tension Kit (incl. 2 ea. 15, 16, 17, 18, 19, 20, 21)†	MMKU	77324	19.3
-	60"+ J-Bolt Complete Tension Kit (incl. (2) ea. 15a, 16, 17a, 18a, 19, 20, 21a)§	MMKUHD	77327	20.7

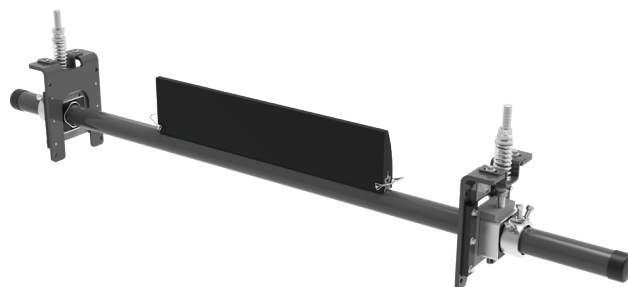
Product Ordering Information

MDWS Heavy-Duty Secondary Cleaner DryWipe for Removing Water

With SST XD Tensioner

BELT WIDTH		ORDERING NUMBER	ITEM CODE	WT. LBS.
in.	mm			
24	600	MDWS-24	75868	115.1
30	750	MDWS-30	75869	122.8
36	900	MDWS-36	75870	127.8
42	1050	MDWS-42	75871	138.3
48	1200	MDWS-48	75872	146.8
54	1350	MDWS-54	75873	154.5
60	1500	MDWS-60	75874	162.2
72	1800	MDWS-72	75875	177.7
84	2100	MDWS-84	76806	193.2
96	2400	MDWS-96	79063	208.7

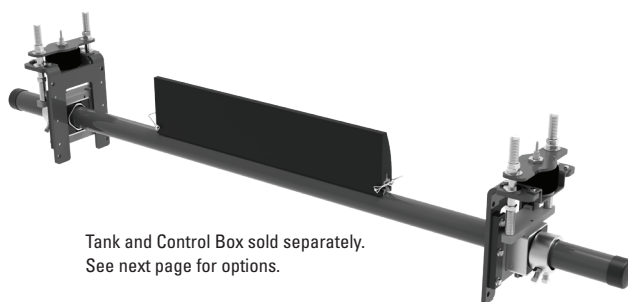
Lead time: 1 working day



With SAT XD Tensioner

BELT WIDTH		ORDERING NUMBER	ITEM CODE	WT. LBS.
in.	mm			
24	600	MDWS-24P	78745	115.1
30	750	MDWS-30P	78746	122.8
36	900	MDWS-36P	78747	127.8
42	1050	MDWS-42P	78748	138.3
48	1200	MDWS-48P	78749	146.8
54	1350	MDWS-54P	78750	154.5
60	1500	MDWS-60P	78751	162.2
72	1800	MDWS-72P	78752	177.7
84	2100	MDWS-84P	78753	193.2
96	2400	MDWS-96P	79064	208.7
108	2700	MDWS-108P	90177	234.8

Lead time: 1 working day



Tank and Control Box sold separately.
See next page for options.

Optional Mounting Kits

DESCRIPTION	ORDERING NUMBER	ITEM CODE	WT. LBS.
Standard Mounting Bracket Kit*	SSTSMB	76071	34.3
Long Mounting Bracket Kit*	SSTLMB	76072	43.5
Optional Top Angle Kit*	SSTOTA	76073	10.5

*Hardware Included

Lead time: 1 working day

Replacement ConShear™ DW Blades

BELT WIDTH		ORDERING NUMBER	ITEM CODE	WT. LBS.
in.	mm			
24	600	CDWB24	75884	12.8
30	750	CDWB30	75885	15.5
36	900	CDWB36	75886	18.3
42	1050	CDWB42	75887	21.0
48	1200	CDWB48	75888	23.8
54	1350	CDWB54	75889	26.5
60	1500	CDWB60	75890	29.2
72	1800	CDWB72	75891	34.7
84	2100	CDWB84	76942	40.5
96	2400	CDWB96	79062	46.3

Actual blade width is belt width + 4" (100 mm).

ConShear DW Blades are black for easy identification.

Lead time: 1 working day

Product Notes:

- The ConShear™ "DryWipe" (DW) Blade is excellent for removing water from the belt. Use as the final cleaner in a cleaning system.
- Actual blade width is belt width plus 4" (100 mm). The extra length ensures the water is removed from the belt.
- Pole Length: Belt width plus 60" (1500 mm) for cleaners up to 60" (1500 mm), belt width plus 54" (1350 mm) for cleaners over 60" (1500 mm). For longer requirements, see Accessories – Pole Extender Kit on page 138.
- Visual Blade Tension Check: Measure the tension spring and refer to the Spring Length Chart on mounting base for the correct length for best cleaning performance.
- To make cleaner installation easier and quicker, see Optional Mounting Kits on page 138.

Product Ordering Information

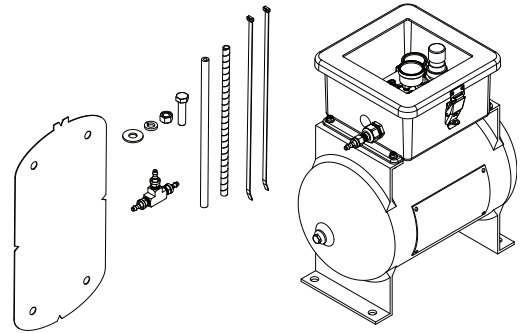
Line Connections for Pneumatic Air Tensioner

Control Box/Tank Combo Units for Closed System

DESCRIPTION	ORDERING NUMBER	ITEM CODE	WT. LBS.
Control Box/Tank Combo Unit for Precleaner - 60 PSI	PAT-C-60	108230	64.0
Control Box/Tank Combo Unit for Secondary Cleaner - 100 PSI	PAT-C-100	108231	64.0

Product Notes:

- For use with cleaners with new PAT systems.
- 150# pop-off valve for safe pressurizing/charging of Air Tank.
- ASME construction tank.
- Fully sealed enclosure includes all critical items - regulator, tank gauge, downstream gauge, schrader valve, in-line filter, downstream valve.

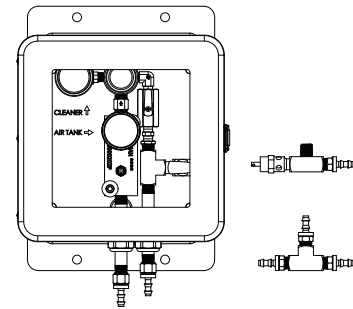


Control Box for Legacy Tank

DESCRIPTION	ORDERING NUMBER	ITEM CODE	WT. LBS.
Control Box Kit for Precleaner - 60 PSI	PACB2-60	108228	13.6
Control Box Kit for Secondary Cleaner - 100 PSI	PACB2-100	108229	13.6

Product Notes:

- For use with Legacy PAT1/PAT2 tank systems ordered prior to January 2024.
- 150# pop-off valve for safe pressurizing/charging of Air Tank.
- May also be paired with Air Tank for Legacy Control Box if preferred.

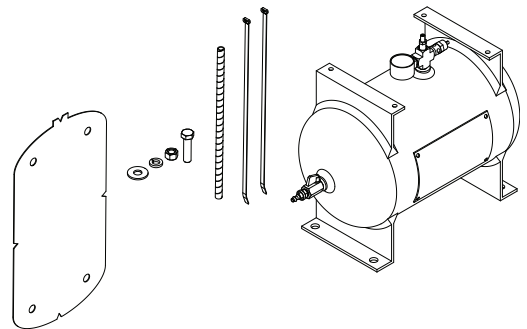


Air Tank for Legacy Control Box

DESCRIPTION	ORDERING NUMBER	ITEM CODE	WT. LBS.
ASME Air Tank Kit	PAT-N	108232	47.3

Product Notes:

- For use with Legacy PACB60/PACB100 control boxes ordered prior to January 2024.
- 150# pop-off valve for safe pressurizing/charging of Air Tank.
- ASME construction tank.
- May also be paired with Control Box for Legacy Tank if preferred.



Replacement Parts List

DESCRIPTION	ORDERING NUMBER	ITEM CODE	WT. LBS.
10' (3m) Hose Kit	PATHK	78794	1.5
Upgrade Fitting Kit (fill valve, push-on fittings, plugs)	AWTRK	79319	0.4

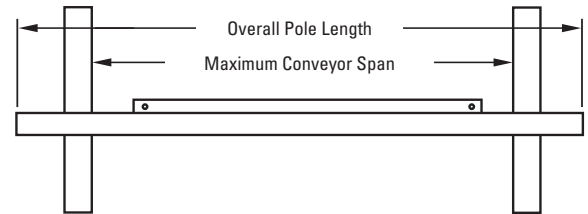
Specifications & Guidelines

MDWS Heavy-Duty Secondary Cleaner DryWipe for Removing Water

Pole Length Specifications

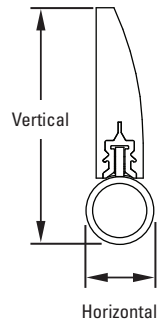
CLEANER SIZE		BLADE WIDTH		POLE LENGTH		MAXIMUM CONVEYOR SPAN	
in.	mm	in.	mm	in.	mm	in.	mm
24	600	28	700	84	2100	68	1700
30	750	34	850	90	2250	74	1850
36	900	40	1000	96	2400	80	2000
42	1050	46	1150	102	2550	86	2150
48	1200	52	1300	108	2700	92	2300
54	1350	58	1450	114	2850	98	2450
60	1500	64	1600	120	3000	104	2600
72	1800	76	1900	126	3150	116	2900
84	2100	88	2200	138	3450	128	3200
96	2400	100	2500	150	3750	140	3500

*For special extra long pole length requirements a Pole Extender Kit (#76024) is available that provides 30" (750 mm) of extended pole length. See Page 7.
Pole Diameter - 2-7/8" (73 mm)



Clearance Guidelines for Installation

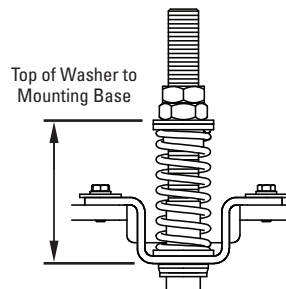
HORIZONTAL CLEARANCE REQUIRED		VERTICAL CLEARANCE REQUIRED	
in.	mm	in.	mm
4	100	10	250



SST XD Spring Length Chart

Blade Width		White Springs		Silver Springs		Black Springs		Gold Springs	
in.	mm	in.	mm	in.	mm	in.	mm	in.	mm
18	450	3 3/8	86	4	102	N/A	N/A	N/A	N/A
24	600	3 1/8	79	3 7/8	98	N/A	N/A	N/A	N/A
30	750	2 7/8	73	3 3/4	95	N/A	N/A	N/A	N/A
36	900	N/A	N/A	3 3/4	95	3 7/8	98	N/A	N/A
42	1050	N/A	N/A	3 5/8	92	3 3/4	95	N/A	N/A
48	1200	N/A	N/A	3 1/2	89	3 5/8	92	N/A	N/A
54	1350	N/A	N/A	3 3/8	86	3 5/8	92	3 3/4	95
60	1500	N/A	N/A	3 1/4	83	3 1/2	89	3 3/4	95
72	1800	N/A	N/A	N/A	N/A	3 3/8	86	3 5/8	92
84	2100	N/A	N/A	N/A	N/A	3 1/8	79	3 1/2	89
96	2400	N/A	N/A	N/A	N/A	N/A	N/A	3 3/8	86
108	2700	N/A	N/A	N/A	N/A	N/A	N/A	3 1/2	89
120	3000	N/A	N/A	N/A	N/A	N/A	N/A	3 3/8	86

Shading indicates preferred spring option.



SAT XD Pressure Chart

Blade Width		Pressure	
in.	mm	psi	kPa
18	450	15	103
24	600	19	131
30	750	23	159
36	900	27	186
42	1050	31	214
48	1200	35	241
54	1350	39	269
60	1500	43	296
72	1800	51	352
84	2100	59	407
96	2400	67	462

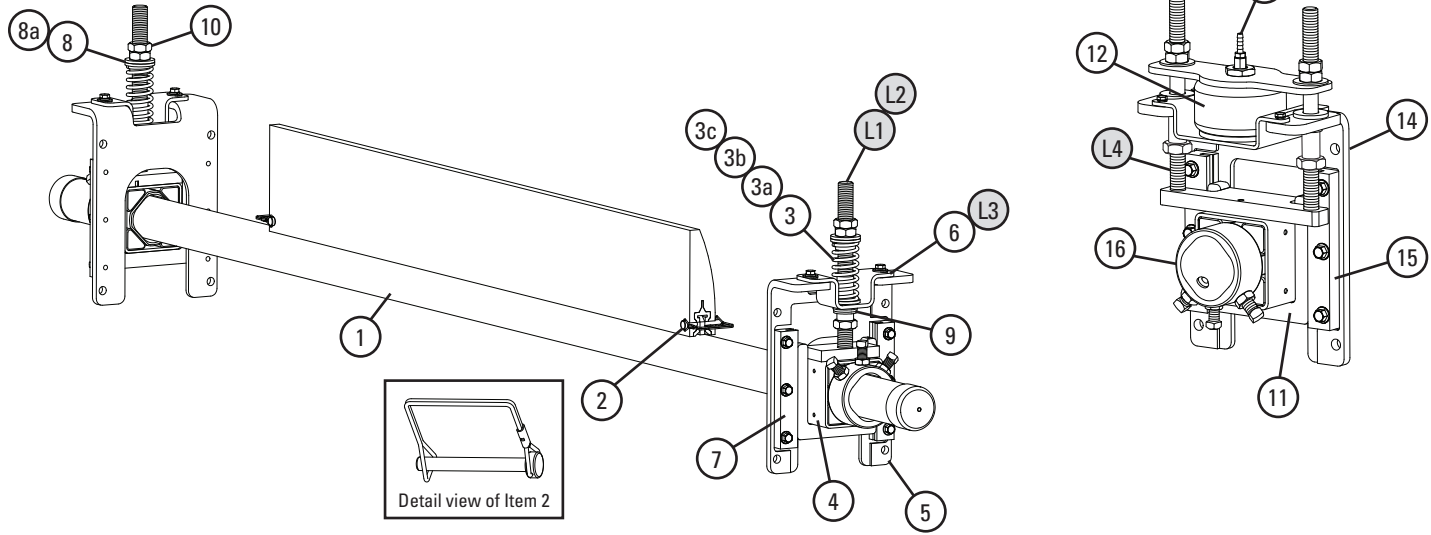
Specifications:

- Maximum Belt Speed 1000 FPM (5 m/s)
- Temperature Rating -30 to 180°F (-35 to 82°C)
- Usable Blade Wear Length 4-1/2" (113 mm)
- Blade Height 7-1/4" (185 mm)
- Blade Material Polyurethane with UHMW additive (softer durometer to squeegee water off and enhance blade life)
- Available for Belt Widths 24 to 96" (600 to 2400 mm) Other sizes available upon request.
- CEMA Cleaner Rating Class 4

Replacement Parts List

MDWS Heavy-Duty Secondary Cleaner DryWipe for Removing Water

For cleaners/tensioners shipped prior to 12/31/14 ONLY



Replacement Parts

REF	DESCRIPTION	ORDERING NUMBER	ITEM CODE	WT. LBS.
1	24" (600mm) Pole	MSPP30	75804	46.0
	30" (750mm) Pole	MSPP36	75805	50.5
	36" (900mm) Pole	MSPP42	75806	55.5
	42" (1050mm) Pole	MSPP48	75807	60.0
	48" (1200mm) Pole	MSPP54	75808	64.0
	54" (1350mm) Pole	MSPP60	75809	67.0
	60" (1500mm) Pole	MSPP66	76695	76.0
	72" (1800mm) Pole	DWP-72	75883	90.0
	84" (2100mm) Pole	DWP-84	76815	100.0
	96" (2400mm) Pole	DWP-96	79060	110.0
2	Blade Pin Kit* (1 ea.)	MSPBP	107852	0.1
3	Tension Spring - White (1 ea.) for belts 18-30" (450-750mm)	STS-W	75846	0.5
3a	Tension Spring - Silver (1 ea.) for belts 36-60" (900-1500mm)	STS-S	75843	0.8
3b	Tension Spring - Black (1 ea.) for belts 72-84" (1800-2100mm)	STS-B	75844	1.0
3c	Tension Spring - Gold (1 ea.) for belts 96" (2400mm)	STS-G	78142	1.3
4	HD Torsion Pole Mount* (1 ea.) (incl. 1 adjusting rod, 3 nuts & 1 sleeve) (See 8 & 8a for bushings)	SSTHDPM	77868	15.0
5	SST XD Mounting Base Kit* (incl. 1 mtg. base, 2 slide guides, 1 top hat bracket & 1 bottom bushing)	SSTXDMK	91412	10.2
6	SST Hat Bracket (pair)	SSTHB	79582	3.5
7	SST Slide Guide Kit* (incl. 2 slide guides)	STGK2	77867	1.1
8	SST Bushing Kit - White/Silver (incl. 2 bushings)	SSTBK-W	76636	0.1
8a	SST Bushing Kit - Black/Gold (incl. 2 bushings)	SSTBK-B	76637	0.1
9	SST Lower Bushing Kit (pair)	SSTLBK	79493	0.1
10	Jam Nut Kit SST Tensioner	JNK-C	79893	0.3
-	SST XD Spring Tensioner* - White (incl. (2) ea. items 3, 4, 5, & 8a)	SSTXD-W	91408	60.6
-	SST XD Spring Tensioner* - Silver (incl. (2) ea. items 3a, 4, 5, & 8a)	SSTXD-S	91409	61.4
-	SST XD Spring Tensioner* - Black (incl. (2) ea. items 3b, 4, 5, & 8b)	SSTXD-B	91410	62.0
-	SST XD Spring Tensioner* - Gold (incl. (2) ea. items 3c, 4, 5, & 8b)	SSTXD-G	91411	62.6

*Hardware Included
Lead time: 1 working day

Replacement Parts - SAT XD Tensioner

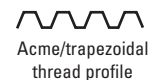
REF	DESCRIPTION	ORDERING NUMBER	ITEM CODE	WT. LBS.
11	SAT XD	SATXDNCB	78703	41.0
12	SAT Air/Water Bag Kit	SATB	76083	5.1
13	SAT 1/8" Hose Barb Kit	SATHB	76084	0.1
14	SAT XD Mounting Base Kit	SATXDMK	91415	11.6
15	ST Slide Guide Kit	STGK2	77867	1.1
16	SAT2 Torsion Pole Mount (incl. threaded rods & 6 nuts)	SAT2PM	78732	11.1

Lead time: 1 working day

Legacy Replacement Parts for Tensioners shipped prior to Dec. 31, 2014*

L1	DESCRIPTION	ORDERING NUMBER	ITEM CODE	WT. LBS.
L1	Adjusting Rod Kit (incl. 1 rod, 2 nuts, 1 bushing, 1 washer) for belts 24-60" (600-1500mm)	STAK	75847	2.9
L2	HD Adjusting Rod Kit (incl. 1 rod, 2 nuts, 1 HD bushing, 1 washer) for belts 72-84" (1800-2100mm)	STAKHD	75892	3.0
L3	Legacy SST Hat Channel Kit	SSTHK	79070	1.5
L4	SAT2 Adjusting Rod Kit	SAT2AK	78733	5.0
-	SST Tensioner Bushing Update Kit (incl. 2 lower bushings, 2 sleeves, 2 nuts)	SST-BUK	76943	0.3

*Verify if legacy parts are needed by looking at threaded rod. If it has standard threads, use legacy parts. If it has flat/acme threads, choose from regular replacement parts.



Spring Tensioner Selection Chart

CLEANER SIZE	91408 SSTXD-W	91409 SSTXD-S	91410 SSTXD-B	91411 SSTXD-G
MDWS 24-30" (600-750 mm)	X			
MDWS 36-60" (900-1500 mm)		X		
MDWS 72-84" (1800-2100 mm)			X	
MDWS 96" (2400 mm)				X

Product Ordering Information

Motorized Brush Cleaner

With 208-230/460VAC 3-Phase Motor IP55

BELT WIDTH		ORDERING NUMBER	ITEM CODE	WT. LBS.
in.	mm			
18	450	MBC-18	79494	136.7
24	600	MBC-24	79495	146.5
30	750	MBC-30	79496	150.2
36	900	MBC-36	79497	156.5
42	1050	MBC-42	79498	162.6
48	1200	MBC-48	79499	179.0
54	1350	MBC-54	79500	185.9
60	1500	MBC-60	79501	192.0
72	1800	MBC-72	79502	205.1
84	2100	MBC-84	79503	217.5

Lead time: 1 working day

With IP66 Motor

BELT WIDTH		ORDERING NUMBER	ITEM CODE	WT. LBS.
in.	mm			
18	450	MBC-18-S	91571	136.7
24	600	MBC-24-S	91572	146.5
30	750	MBC-30-S	91573	150.2
36	900	MBC-36-S	91574	156.5
42	1050	MBC-42-S	91575	162.6
48	1200	MBC-48-S	91576	179.0
54	1350	MBC-54-S	91577	185.9
60	1500	MBC-60-S	91578	192.0
72	1800	MBC-72-S	91579	205.1
84	2100	MBC-84-S	91580	217.5

Lead time: 1 working day

With 575V 3-Phase Motor IP55

BELT WIDTH		ORDERING NUMBER	ITEM CODE	WT. LBS.
in.	mm			
18	450	MBC-18-575V	79914	136.7
24	600	MBC-24-575V	79915	146.5
30	750	MBC-30-575V	79916	150.2
36	900	MBC-36-575V	79917	156.5
42	1050	MBC-42-575V	79918	162.6
48	1200	MBC-48-575V	79919	179.0
54	1350	MBC-54-575V	79920	185.9
60	1500	MBC-60-575V	79921	192.0
72	1800	MBC-72-575V	79922	205.1
84	2100	MBC-84-575V	79923	217.5

Lead time: 1 working day

With IP66 Motor

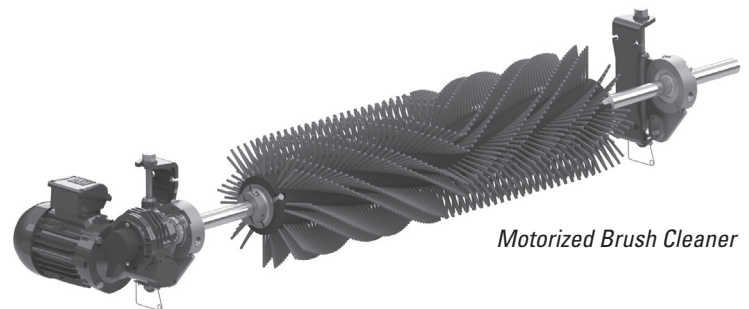
BELT WIDTH		ORDERING NUMBER	ITEM CODE	WT. LBS.
in.	mm			
18	450	MBC-18-575V-S	91581	136.7
24	600	MBC-24-575V-S	91582	146.5
30	750	MBC-30-575V-S	91583	150.2
36	900	MBC-36-575V-S	91584	156.5
42	1050	MBC-42-575V-S	91585	162.6
48	1200	MBC-48-575V-S	91586	179.0
54	1350	MBC-54-575V-S	91587	185.9
60	1500	MBC-60-575V-S	91588	192.0
72	1800	MBC-72-575V-S	91589	205.1
84	2100	MBC-84-575V-S	91590	217.5

Lead time: 1 working day

Replacement Brushes

BELT WIDTH		ORDERING NUMBER	ITEM CODE	WT. LBS.
in.	mm			
18	450	MBRD-18	79514	9.6
24	600	MBRD-24	79515	13.5
30	750	MBRD-30	79516	17.1
36	900	MBRD-36	79517	20.5
42	1050	MBRD-42	79518	23.7
48	1200	MBRD-48	79519	26.8
54	1350	MBRD-54	79520	30.7
60	1500	MBRD-60	79521	33.9
72	1800	MBRD-72	79522	41.0
84	2100	MBRD-84	79523	47.5

Lead time: 1 working day

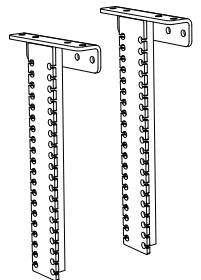


Motorized Brush Cleaner

Optional Mounting Brackets (Pair)

ORDERING NUMBER	ITEM CODE	WT. LBS.
MBCDBK	79536	28.9

Lead time: 1 working day



Product Notes:

- Spins opposite the belt direction for optimal cleaning.
- Uniquely patterned bristles aid in reducing material buildup and clogging.
- Adjustable tensioners allow easy brush-to-belt adjustment as the bristles wear.
- Works on mechanically spliced or vulcanized belts.

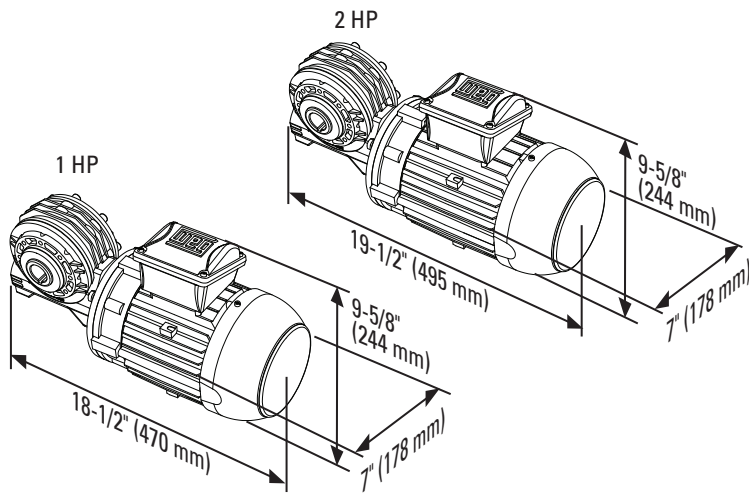
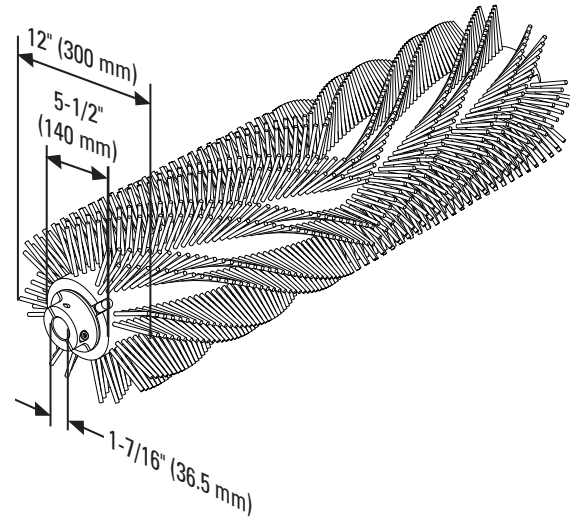
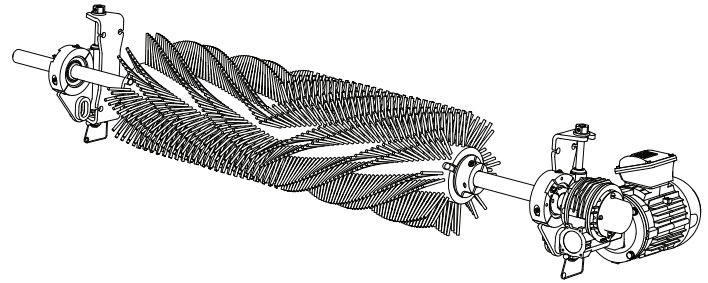
Specifications & Guidelines

Motorized Brush Cleaner

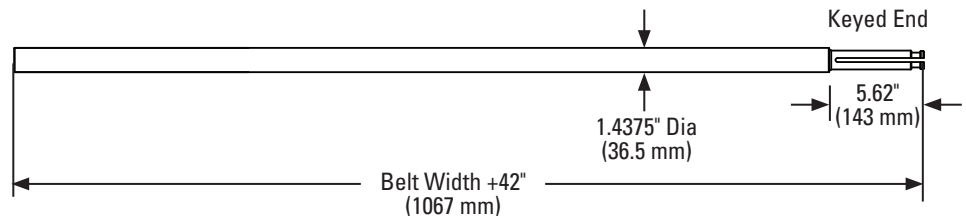
Specifications

Belt Speed	Up to 700 FPM (3.5 m/s)
Vertical and Horizontal Clearance	12" (305mm)
Temperature Range	-20 to 180°F (-30 to 82°C)
Maximum Chevron/Cleat Height	1/2" (13mm)
Bristle Length	3-1/4" (83mm)
Overall Diameter	12" (305mm)
Shaft Length	Belt Width plus 42" (1067mm)
Shaft Diameter	1-7/16" (36.5 mm)
Motor Voltage and HP Options	208-230/460VAC 3 Phase* 1 HP (cleaners 18-42") (450-1050mm) 2 HP (cleaners 48-84") (1200-2100mm)
	575V 3 Phase* 1 HP (cleaners 18-36") (450-900mm) 2 HP (cleaners 42-84") (1050-2100mm)
Motor Ingress Protection	IP55 or IP66
CEMA Cleaner Rating	Class 4

*Other motors available upon request



Shaft Measurements

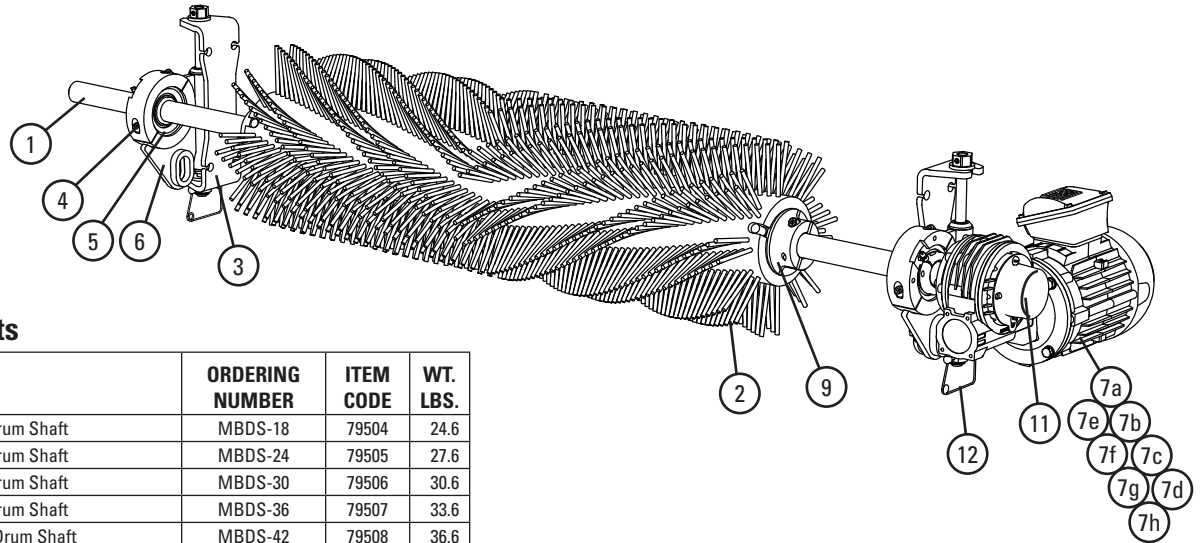


Product Notes:

- Spins opposite the belt direction for optimal cleaning.
- Uniquely patterned bristles aid in reducing material buildup and clogging.
- Adjustable tensioners allow easy brush-to-belt adjustment as the bristles wear.
- Works on mechanically spliced or vulcanized belts.

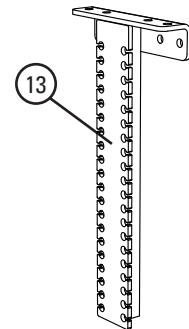
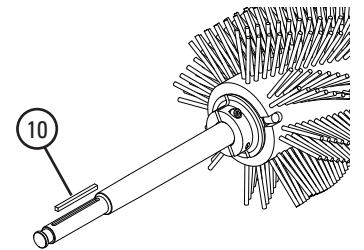
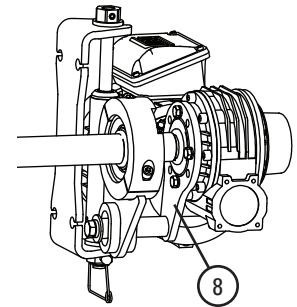
Replacement Parts List

Motorized Brush Cleaner



Replacement Parts

REF	DESCRIPTION	ORDERING NUMBER	ITEM CODE	WT. LBS.
1	18" (450mm) Brush Drum Shaft	MBDS-18	79504	24.6
	24" (600mm) Brush Drum Shaft	MBDS-24	79505	27.6
	30" (750mm) Brush Drum Shaft	MBDS-30	79506	30.6
	36" (900mm) Brush Drum Shaft	MBDS-36	79507	33.6
	42" (1050mm) Brush Drum Shaft	MBDS-42	79508	36.6
	48" (1200mm) Brush Drum Shaft	MBDS-48	79509	39.5
	54" (1350mm) Brush Drum Shaft	MBDS-54	79510	42.5
	60" (1500mm) Brush Drum Shaft	MBDS-60	79511	45.5
	72" (1800mm) Brush Drum Shaft	MBDS-72	79512	51.5
84" (2100mm) Brush Drum Shaft	MBDS-84	79513	57.5	
2	18" (450mm) Replacement Brush Drum	MBRD-18	79514	9.6
	24" (600mm) Replacement Brush Drum	MBRD-24	79515	13.5
	30" (750mm) Replacement Brush Drum	MBRD-30	79516	17.1
	36" (900mm) Replacement Brush Drum	MBRD-36	79517	20.5
	42" (1050mm) Replacement Brush Drum	MBRD-42	79518	23.7
	48" (1200mm) Replacement Brush Drum	MBRD-48	79519	26.8
	54" (1350mm) Replacement Brush Drum	MBRD-54	79520	30.7
	60" (1500mm) Replacement Brush Drum	MBRD-60	79521	33.9
	72" (1800mm) Replacement Brush Drum	MBRD-72	79522	41.0
84" (2100mm) Replacement Brush Drum	MBRD-84	79523	47.5	
3	Brush Mounting Base* (1)	MBCMK	79524	4.7
4	Brush Bearing Clamp* (1)	MBCBC	79525	1.9
5	Brush Cleaner Bearings (2)	MBCB	79526	7.2
6	Brush Bearing Mount* (1)	MBCBM	79528	9.7
7a	Gearmotor Assy, 1 HP IP55 for belts up to 42" (1050mm)	MBCM-1	79529	55.0
7b	Gearmotor Assy, 2 HP IP55 for belts 48" (1200mm) and up	MBCM-2	79530	65.0
7c	Gearmotor Assy, 1 HP 575V IP55 for belts up to 36" (900mm)	MBCM-575-1	79924	55.0
7d	Gearmotor Assy, 2 HP 575V IP55 for belts 42" (1050mm) and up	MBCM-575-2	79925	65.0
7e	Gearmotor Assy, 1 HP IP66 for belts up to 42" (1050mm)	MBCM-1-S	91591	55.0
7f	Gearmotor Assy, 2 HP IP66 for belts 48" (1200mm) and up	MBCM-2-S	91592	65.0
7g	Gearmotor Assy, 1 HP 575V IP66 for belts up to 36" (900mm)	MBCM-575-1-S	91593	55.0
7h	Gearmotor Assy, 2 HP 575V IP66 for belts 42" (1050mm) and up	MBCM-575-2-S	91594	65.0
8	Brush Cleaner Torque Arm* (1)	MBCTA	79531	2.5
9	Brush Locks* (2)	MBCBL	79532	9.4
10	Brush Motor Key Kit (1)	MBCMCK	79533	0.3
11	MBC Shaft End Cap* (1)	MBCEC	79534	0.1
12	Tensioner Lock Pins (2)	STLP	79535	0.2
13	Brush Cleaner Drop Brackets* (2)	MBCDBK	79536	28.9
-	Brush Cleaner Adjusting Bracket (1) (incl. (1) bearing; (1) ea. items 3, 4, 6 & 12)	MBADB	79527	18.1



*Hardware Included

‡ If brush ordered before January 2021, also order replacement shaft

Lead time: 1 working day

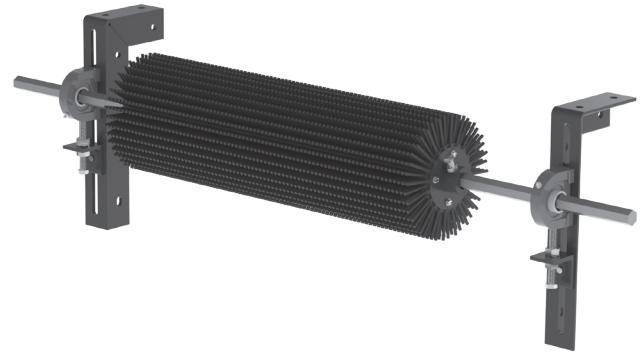
Product Ordering Information

Chevron
Secondary Cleaner

Chevron Belt Cleaner

BELT WIDTH		DRUM WIDTH		ORDERING NUMBER	ITEM CODE	WT. LBS.
in.	mm	in.	mm			
18	450	18	450	CBC18	76668	74.0
24	600	24	600	CBC24	76669	81.9
30	750	30	750	CBC30	76670	90.8
36	900	36	900	CBC36	76671	99.7
42	1050	42	1050	CBC42	76672	107.5
48	1200	48	1200	CBC48	76673	116.5
54	1350	54	1350	CBC54	76674	124.3
60	1500	60	1500	CBC60	76675	133.2
72	1800	72	1800	CBC72	90762	150.0
84	2100	84	2100	CBC84	90763	166.8

Lead time: 1 working day



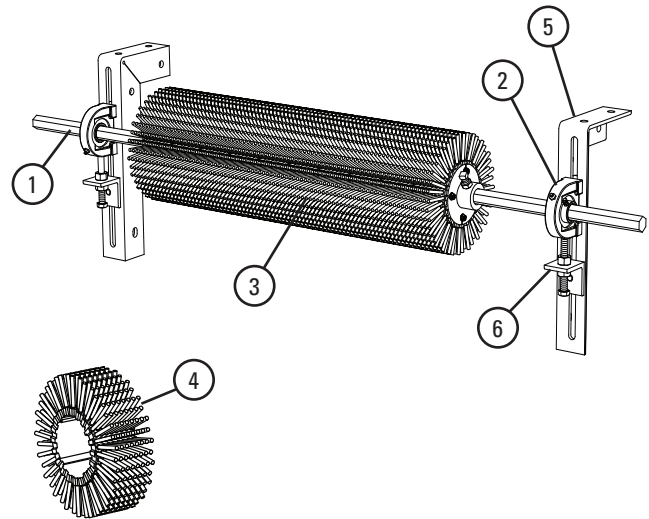
Replacement Parts

REF	DESCRIPTION	ORDERING NUMBER	ITEM CODE	WT. LBS.
1	18" (450mm) Drum Shaft	CBCS18	90537	15.1
	24" (600mm) Drum Shaft	CBCS24	90538	17.0
	30" (750mm) Drum Shaft	CBCS30	90539	18.9
	36" (900mm) Drum Shaft	CBCS36	90540	20.8
	42" (1050mm) Drum Shaft	CBCS42	90541	22.7
	48" (1200mm) Drum Shaft	CBCS48	90542	24.6
	54" (1350mm) Drum Shaft	CBCS54	90543	26.4
	60" (1500mm) Drum Shaft	CBCS60	90544	28.3
	72" (1800mm) Drum Shaft	CBCS72	90554	33.9
84" (2100mm) Drum Shaft	CBCS84	90555	39.6	
2	Chevron Pillow Block*	CPB	76692	1.2
3	18" (450mm) Repl Drum w/Fingers*	CRDF18	90631	25.0
	24" (600mm) Repl Drum w/Fingers*	CRDF24	90632	31.0
	30" (750mm) Repl Drum w/Fingers*	CRDF30	90633	38.0
	36" (900mm) Repl Drum w/Fingers*	CRDF36	90634	45.0
	42" (1050mm) Repl Drum w/Fingers*	CRDF42	90635	51.0
	48" (1200mm) Repl Drum w/Fingers*	CRDF48	90636	58.0
	54" (1350mm) Repl Drum w/Fingers*	CRDF54	90637	64.0
	60" (1500mm) Repl Drum w/Fingers*	CRDF60	90638	71.0
	72" (1800mm) Repl Drum w/Fingers*	CRDF72	90639	84.0
84" (2100mm) Repl Drum w/Fingers*	CRDF84	90640	97.0	
4	3" (75mm) Replacement Finger Ring	CBC3R	90641	2.5
5	Mounting Bracket Kit (1 Right and 1 Left)	EZS2MBK	75666	13.0
6	Adjusting Bracket Kit* (1 ea.)	PAB	75513	1.5

*Hardware Included

Lead time: 1 working day

Shaded items are made to order.
Lead time: 3 working days



Specifications

Belt Speed	Up to 500 fpm (2.5M/sec)
Vertical and Horizontal Clearance	10" (250mm)
Temperature Range	-30 to 180°F (-35 to 82°C)
Maximum Chevron or Cleat Height	1" (25mm)
Finger Length	2" (50mm)
Rubber Durometer	45A
Overall Diameter	9-1/2" (238mm)
Shaft Length	Belt Width plus 30" (750mm)
Shaft	1" (25mm) Hex
CEMA Cleaner Rating	Class 3

Product Notes:

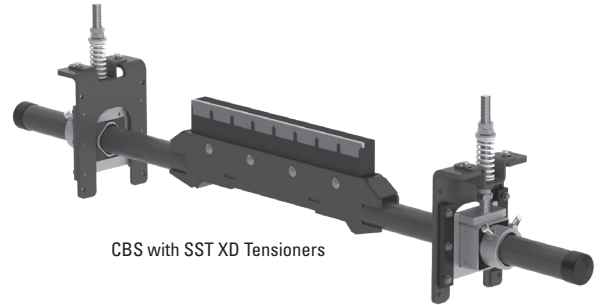
- Free-rotating. Works only when the belt is running.
- Self-cleaning. Finger length, spacing and the rotary action allows carryback to fall free instead of clogging.
- Easy to install. Few parts and step-by-step instructions make the job simple.
- Long-wearing SBR rubber. Drum life ranges from 1 to 3 years depending upon the application conditions and the material being conveyed.
- Works on reversing belts.
- Finger rings can be replaced individually or all at once by replacing the drum.

Product Ordering Information

With SST XD Tenioner

BELT WIDTH		FLAT BLADE		CURVED BLADE		WT. LBS.
in.	mm	ORDERING NUMBER	ITEM CODE	ORDERING NUMBER	ITEM CODE	
18	450	CBS18SF	79936	CBS18SC	91495	154.0
24	600	CBS24SF	79937	CBS24SC	91496	168.0
30	750	CBS30SF	79938	CBS30SC	91497	182.0
36	900	CBS36SF	79939	CBS36SC	91498	196.0
42	1050	CBS42SF	79940	CBS42SC	91499	210.0
48	1200	CBS48SF	79941	CBS48SC	91500	224.0
54	1350	CBS54SF	79942	CBS54SC	91501	238.0
60	1500	CBS60SF	79943	CBS60SC	91502	252.0
72	1800	CBS72SF	79944	CBS72SC	91503	280.0
84	2100	CBS84SF	79945	CBS84SC	91504	308.0
96	2400	CBS96SF	79946	CBS96SC	91505	336.0

Lead time: 1 day; shaded items 3 weeks

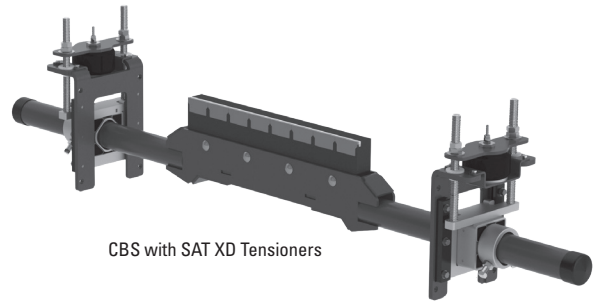


CBS with SST XD Tensioners

With SAT XD Tenioner

BELT WIDTH		FLAT BLADE		CURVED BLADE		WT. LBS.
in.	mm	ORDERING NUMBER	ITEM CODE	ORDERING NUMBER	ITEM CODE	
18	450	CBS18PF	79958	CBS18PC	91549	135.5
24	600	CBS24PF	79959	CBS24PC	91550	149.5
30	750	CBS30PF	79960	CBS30PC	91551	163.5
36	900	CBS36PF	79961	CBS36PC	91552	177.5
42	1050	CBS42PF	79962	CBS42PC	91553	191.5
48	1200	CBS48PF	79963	CBS48PC	91554	205.5
54	1350	CBS54PF	79964	CBS54PC	91555	219.5
60	1500	CBS60PF	79965	CBS60PC	91556	233.5
72	1800	CBS72PF	79966	CBS72PC	91557	261.5
84	2100	CBS84PF	79967	CBS84PC	91558	289.5
96	2400	CBS96PF	79968	CBS96PC	91559	317.5

Lead time: 1 day; shaded items 3 weeks



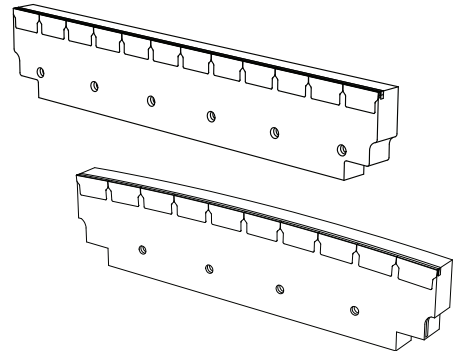
CBS with SAT XD Tensioners

Tank and Control Box sold separately. See next page for options.

Replacement Blades

BELT WIDTH		FLAT BLADE		CURVED BLADE		WT. LBS.
in.	mm	ORDERING NUMBER	ITEM CODE	ORDERING NUMBER	ITEM CODE	
18	450	CBSBLD18F	79947	CBSBLD18C	91527	23.0
24	600	CBSBLD24F	79948	CBSBLD24C	91528	29.0
30	750	CBSBLD30F	79949	CBSBLD30C	91529	35.0
36	900	CBSBLD36F	79950	CBSBLD36C	91530	41.0
42	1050	CBSBLD42F	79951	CBSBLD42C	91531	47.0
48	1200	CBSBLD48F	79952	CBSBLD48C	91532	53.0
54	1350	CBSBLD54F	79953	CBSBLD54C	91533	59.0
60	1500	CBSBLD60F	79954	CBSBLD60C	91534	65.0
72	1800	CBSBLD72F	79955	CBSBLD72C	91535	77.0
84	2100	CBSBLD84F	79956	CBSBLD84C	91536	89.0
96	2400	CBSBLD96F	79957	CBSBLD96C	91537	101.0

Lead time: 1 day; shaded items 3 weeks



Product Notes:

- Heavy-duty design to deliver maximum cleaning efficiency on the most demanding, abusive beltlines.
- Pole Length: Belt width plus 54" (1350 mm). For longer requirements, see Minline Installation Accessories – Pole Extender Kit on page 138.
- To make cleaner installation easier and quicker, see Optional Mounting Kits on page 138.
- It is recommended that mechanical fasteners on the belt be skived.

Product Ordering Information

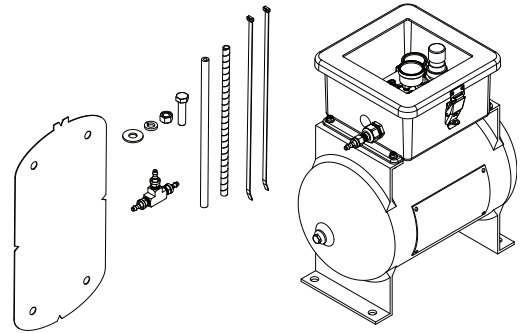
Line Connections for Pneumatic Air Tensioner

Control Box/Tank Combo Units for Closed System

DESCRIPTION	ORDERING NUMBER	ITEM CODE	WT. LBS.
Control Box/Tank Combo Unit for Precleaner - 60 PSI	PAT-C-60	108230	64.0
Control Box/Tank Combo Unit for Secondary Cleaner - 100 PSI	PAT-C-100	108231	64.0

Product Notes:

- For use with cleaners with new PAT systems.
- 150# pop-off valve for safe pressurizing/charging of Air Tank.
- ASME construction tank.
- Fully sealed enclosure includes all critical items - regulator, tank gauge, downstream gauge, schrader valve, in-line filter, downstream valve.

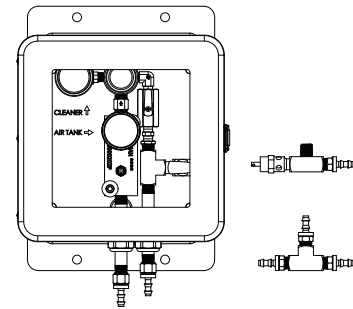


Control Box for Legacy Tank

DESCRIPTION	ORDERING NUMBER	ITEM CODE	WT. LBS.
Control Box Kit for Precleaner - 60 PSI	PACB2-60	108228	13.6
Control Box Kit for Secondary Cleaner - 100 PSI	PACB2-100	108229	13.6

Product Notes:

- For use with Legacy PAT1/PAT2 tank systems ordered prior to January 2024.
- 150# pop-off valve for safe pressurizing/charging of Air Tank.
- May also be paired with Air Tank for Legacy Control Box if preferred.

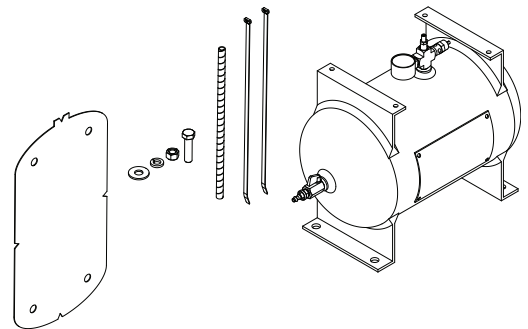


Air Tank for Legacy Control Box

DESCRIPTION	ORDERING NUMBER	ITEM CODE	WT. LBS.
ASME Air Tank Kit	PAT-N	108232	47.3

Product Notes:

- For use with Legacy PACB60/PACB100 control boxes ordered prior to January 2024.
- 150# pop-off valve for safe pressurizing/charging of Air Tank.
- ASME construction tank.
- May also be paired with Control Box for Legacy Tank if preferred.



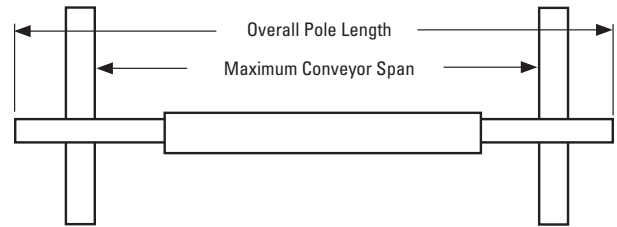
Replacement Parts List

DESCRIPTION	ORDERING NUMBER	ITEM CODE	WT. LBS.
10' (3m) Hose Kit	PATHK	78794	1.5
Upgrade Fitting Kit (fill valve, push-on fittings, plugs)	AWTRK	79319	0.4

Specifications and Guidelines

Pole Length Specifications

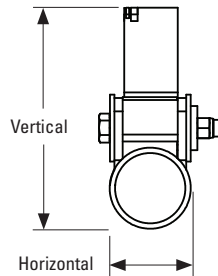
CLEANER SIZE		BLADE WIDTH		POLE LENGTH		MAXIMUM CONVEYOR SPAN	
in.	mm	in.	mm	in.	mm	in.	mm
18	450	18	450	72	1800	62	1550
24	600	24	600	78	1950	68	1700
30	750	30	750	84	2100	74	1850
36	900	36	900	90	2250	80	2000
42	1050	42	1050	96	2400	86	2150
48	1200	48	1200	102	2550	92	2300
54	1350	54	1350	108	2700	98	2450
60	1500	60	1500	114	2850	104	2600
72	1800	72	1800	126	3150	116	2900
84	2100	84	2100	138	3450	128	3200
96	2400	96	2400	150	3750	140	3500



*For special extra long pole length requirements a Pole Extender Kit (#76024) is available that provides 30" (750 mm) of extended pole length. See p. 138.
Pole Diameter - 2-7/8" (73 mm)

Clearance Guidelines for Installation

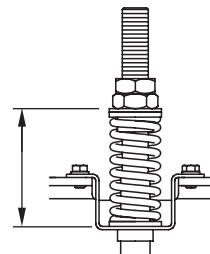
HORIZONTAL CLEARANCE REQUIRED		VERTICAL CLEARANCE REQUIRED	
in.	mm	in.	mm
5	125	10	254



SST XD Spring Length Chart

Belt Width		White Springs		Silver Springs		Black Springs		Gold Springs	
in.	mm	in.	mm	in.	mm	in.	mm	in.	mm
18	450	3 3/8	86	4	102	N/A	N/A	N/A	N/A
24	600	3 1/8	79	3 7/8	98	N/A	N/A	N/A	N/A
30	750	2 7/8	73	3 3/4	95	N/A	N/A	N/A	N/A
36	900	N/A	N/A	3 3/4	95	3 7/8	98	N/A	N/A
42	1050	N/A	N/A	3 5/8	92	3 3/4	95	N/A	N/A
48	1200	N/A	N/A	3 1/2	89	3 5/8	92	N/A	N/A
54	1350	N/A	N/A	3 3/8	86	3 5/8	92	3 3/4	95
60	1500	N/A	N/A	3 1/4	83	3 1/2	89	3 3/4	95
72	1800	N/A	N/A	N/A	N/A	3 3/8	86	3 5/8	92
84	2100	N/A	N/A	N/A	N/A	3 1/8	79	3 1/2	89
96	2400	N/A	N/A	N/A	N/A	N/A	N/A	3 3/8	86

Shading indicates preferred spring option.



SAT XD Pressure Chart

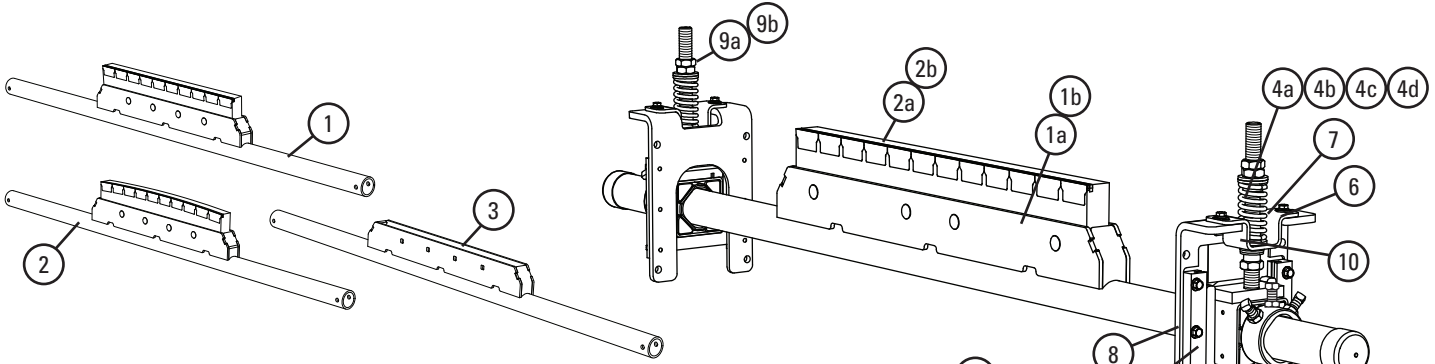
Belt Width		Pressure	
in.	mm	psi	kPa
18	450	15	103
24	600	19	131
30	750	23	159
36	900	27	186
42	1050	31	214
48	1200	35	241
54	1350	39	269
60	1500	43	296
72	1800	51	352
84	2100	59	407
96	2400	67	462

Specifications:

- Maximum Belt Speed800 FPM (4 m/s) for mechanical fasteners
1200 FPM (6 m/s) for vulcanized belts
- Temperature Rating-30 to 180°F (-35 to 82°C)
- Available for Belt Widths18 to 96" (450 to 2400 mm) Other sizes available upon request.

Replacement Parts List

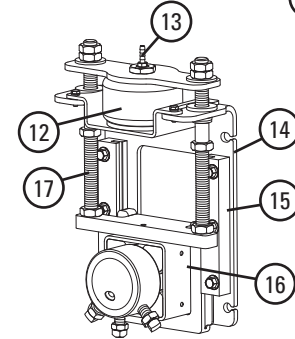
CBS Continuous Blade Secondary Cleaner



Replacement Parts

REF	DESCRIPTION	ORDERING NUMBER	ITEM CODE	WT. LBS.
1 (flat)	18" (450mm) CBS Blade/Pole	CBSBP18F	90101	84.0
	24" (600mm) CBS Blade/Pole	CBSBP24F	90102	98.0
	30" (750mm) CBS Blade/Pole	CBSBP30F	90103	112.0
	36" (900mm) CBS Blade/Pole	CBSBP36F	90104	126.0
	42" (1050mm) CBS Blade/Pole	CBSBP42F	90105	140.0
	48" (1200mm) CBS Blade/Pole	CBSBP48F	90106	154.0
	54" (1350mm) CBS Blade/Pole	CBSBP54F	90107	168.0
	60" (1500mm) CBS Blade/Pole	CBSBP60F	90108	182.0
	72" (1800mm) CBS Blade/Pole	CBSBP72F	90109	210.0
	84" (2100mm) CBS Blade/Pole	CBSBP84F	90110	238.0
96" (2400mm) CBS Blade/Pole	CBSBP96F	90111	266.0	
2 (curved)	18" (450mm) CBS Blade/Pole	CBSBP18C	91538	84.0
	24" (600mm) CBS Blade/Pole	CBSBP24C	91539	98.0
	30" (750mm) CBS Blade/Pole	CBSBP30C	91540	112.0
	36" (900mm) CBS Blade/Pole	CBSBP36C	91541	126.0
	42" (1050mm) CBS Blade/Pole	CBSBP42C	91542	140.0
	48" (1200mm) CBS Blade/Pole	CBSBP48C	91543	154.0
	54" (1350mm) CBS Blade/Pole	CBSBP54C	91544	168.0
	60" (1500mm) CBS Blade/Pole	CBSBP60C	91545	182.0
	72" (1800mm) CBS Blade/Pole	CBSBP72C	91546	210.0
	84" (2100mm) CBS Blade/Pole	CBSBP84C	91547	238.0
96" (2400mm) CBS Blade/Pole	CBSBP96C	91548	266.0	
3	18" (450mm) CBS Repl Pole	CBSP18	91432	68.0
	24" (600mm) CBS Repl Pole	CBSP24	91433	76.0
	30" (750mm) CBS Repl Pole	CBSP30	91434	85.0
	36" (900mm) CBS Repl Pole	CBSP36	91435	93.0
	42" (1050mm) CBS Repl Pole	CBSP42	91436	101.0
	48" (1200mm) CBS Repl Pole	CBSP48	91437	109.0
	54" (1350mm) CBS Repl Pole	CBSP54	91438	118.0
	60" (1500mm) CBS Repl Pole	CBSP60	91439	126.0
	72" (1800mm) CBS Repl Pole	CBSP72	91440	143.0
	84" (2100mm) CBS Repl Pole	CBSP84	91441	159.0
96" (2400mm) CBS Repl Pole	CBSP96	91442	176.0	
4a	Tension Spring - White (1 ea.)	STS-W	75846	0.5
4b	Tension Spring - Silver (1 ea.)	STS-S	75843	0.8
4c	Tension Spring - Black (1 ea.)	STS-B	75844	1.0
4d	Tension Spring - Gold (1 ea.)	STS-G	78142	1.3
5	HD Torsion Pole Mount* (1 ea.) (incl. HD adjusting rod, nuts & sleeve) (See 9 & 9a for bushings)	SSTHDPM	77868	15.0
6	SST XD Mounting Base Kit* (incl. 1 mtg base, 2 slide guides, top hat bracket & bottom bushing)	SSTXDMK	91412	10.2
7	SST Hat Bracket (pair)	SSTHB	79582	3.0
8	Slide Guide Kit* (incl. 2 slide guides)	STGK2	77867	1.1
9a	SST Bushing Kit - White/Silver (incl. 2 bushings)	SSTBK-W	76636	0.1
9b	SST Bushing Kit - Black/Gold (incl. 2 bushings)	SSTBK-B	76637	0.1
10	SST Lower Bushing Kit (pair)	SSTLTK	79493	0.2

*Hardware Included
Lead time: 1 day; shaded items 3 weeks



11 Secondary Air Tensioner XD

SAT XD Tensioner Replacement Parts

REF	DESCRIPTION	ORDERING NUMBER	ITEM CODE	WT. LBS.
11	SAT XD	SATXDNCB	91414	41.0
12	SAT Air/Water Bag Kit	SATB	76083	5.1
13	SAT 1/8" Hose Barb Kit	SATHB	76084	0.1
14	SAT XD Mounting Base Kit	SATXDMK	91415	11.6
15	ST Slide Guide Kit	STGK2	77867	1.1
16	SAT2 Torsion Pole Mount	SAT2PM	78732	11.1
17	SAT2 Adjusting Rod Kit	SAT2AK	78733	5.0

Lead time: 1 working day

SST XD Tensioner Options

REF	DESCRIPTION	ORDERING NUMBER	ITEM CODE	WT. LBS.
-	SST XD Spring Tensioner* - White (incl. (2) ea. items 4a, 5, 6, & 9a)	SSTXD-W	91408	60.6
-	SST XD Spring Tensioner* - Silver (incl. (2) ea. items 4b, 5, 6, & 9a)	SSTXD-S	91409	61.4
-	SST XD Spring Tensioner* - Black (incl. (2) ea. items 4c, 5, 6, & 9b)	SSTXD-B	91410	62.0
-	SST XD Spring Tensioner* - Gold (incl. (2) ea. items 4d, 5, 6, & 9b)	SSTXD-G	91411	62.6

Spring Tensioner Selection Chart

CLEANER SIZE	91408 SSTXD-W	91409 SSTXD-S	91410 SSTXD-B	91411 SSTXD-G
CBS 18-30" (450-750mm)	X			
CBS 36-48" (900-1200mm)		X		
CBS 54-84" (1350-2100mm)			X	
CBS 96" (2400mm)				X

Product Ordering Information

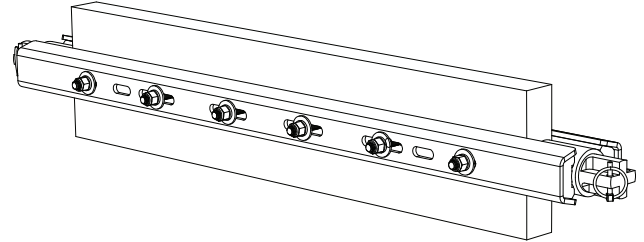
Richwood® 1C Cleaner Flexco Retrofit Replacement Blades

Richwood® is a registered trademark of Richwood Industries, Inc. The replacement parts described herein are designed and made by Flexco. Flexco is not affiliated with or authorized by Richwood.

Belt Width Minus 6" (150 mm)

BELT WIDTH		BLADE WIDTH		ORDERING NUMBER	ITEM CODE	WT. LBS.
in.	mm	in.	mm			
24	600	18	450	RWPREC-624	90068	37.7
30	750	24	600	RWPREC-630	90069	48.9
36	900	30	750	RWPREC-636	90070	54.4
42	1050	36	900	RWPREC-642	90071	62.6
48	1200	42	1050	RWPREC-648	90072	71.1
54	1350	48	1200	RWPREC-654	90073	79.3
60	1500	54	1350	RWPREC-660	90074	87.7
72	1800	66	1650	RWPREC-672	90075	104.4
84	2100	78	1950	RWPREC-684	90076	121.1
96	2400	90	2250	RWPREC-696	90077	137.8

Lead time: 1 working day



Belt Width Minus 12" (300 mm)

BELT WIDTH		BLADE WIDTH		ORDERING NUMBER	ITEM CODE	WT. LBS.
in.	mm	in.	mm			
30	750	18	450	RWPREC-1230	90078	40.9
36	900	24	600	RWPREC-1236	90079	50.1
42	1050	30	750	RWPREC-1242	90080	57.6
48	1200	36	900	RWPREC-1248	90081	66.8
54	1350	42	1050	RWPREC-1254	90082	74.3
60	1500	48	1200	RWPREC-1260	90083	83.5
72	1800	60	1500	RWPREC-1272	90084	100.2
84	2100	72	1800	RWPREC-1284	90085	116.9
96	2400	84	2100	RWPREC-1296	90086	133.6

Lead time: 1 working day

Belt Width Minus 18" (450 mm)

BELT WIDTH		BLADE WIDTH		ORDERING NUMBER	ITEM CODE	WT. LBS.
in.	mm	in.	mm			
36	900	18	450	RWPREC-1836	91214	45.1
42	1050	24	600	RWPREC-1842	91215	53.3
48	1200	30	750	RWPREC-1848	91216	61.8
54	1350	36	900	RWPREC-1854	91217	70.0
60	1500	42	1050	RWPREC-1860	91218	78.5
72	1800	54	1350	RWPREC-1872	91219	95.2
84	2100	66	1650	RWPREC-1884	91220	111.9
96	2400	78	1950	RWPREC-1896	91221	128.6

Lead time: 1 working day

Shaded items are made to order.
Lead time: 10 working days

Product Notes:

- For optimal cleaning and reduced blade retensioning maintenance, the cleaner blade width should be sized to fit the material path of the belt. The material path is typically 2/3 of the belt width. In most cases a blade size of belt width minus 12" (300 mm) may be the best selection.
- Each cleaner can be retrofitted with multiple standard replacement blade sizes belt width minus 6" (150 mm), 12" (300 mm), and 18" (450 mm), and provides additional options for custom-fit material paths.
- Blades can be worn until 1/4" (6 mm) above the blade holder, then rotated 180° for a second blade wear area.
- Works with mechanical or vulcanized splices.
- Pole end adjustment allows the blade to be set at a perfect attack angle for the application.
- Replacement blades with this design are simple and easy – no longer do you need to purchase an entire blade/pole assembly to replace the blade.

Product Ordering Information

Richwood® 1C Cleaner Flexco Retrofit Replacement Blades

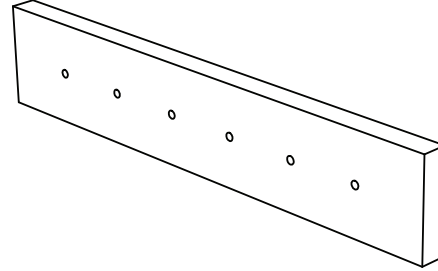
Retrofit Blades

BLADE WIDTH		ORDERING NUMBER	ITEM CODE	WT. LBS.
in.	mm			
18	450	RWPBLD-18	90087	12.7
24	600	RWPBLD-24	90088	16.9
30	750	RWPBLD-30	90089	21.1
36	900	RWPBLD-36	90090	25.3
42	1050	RWPBLD-42	90091	29.6
48	1200	RWPBLD-48	90092	33.8
54	1350	RWPBLD-54	90093	38.0
60	1500	RWPBLD-60	90094	42.2
66	1650	RWPBLD-66	90095	46.5
72	1800	RWPBLD-72	90096	50.7
78	1950	RWPBLD-78	90097	54.9
84	2100	RWPBLD-84	90098	59.1
90	2250	RWPBLD-90	90099	63.4

*Hardware included
Lead time: 1 working day

Shaded items are made to order.
Lead time: 10 working days

Richwood® is a registered trademark of Richwood Industries, Inc.
The replacement parts described herein are designed and made by Flexco.
Flexco is not affiliated with or authorized by Richwood.



Product Ordering Information

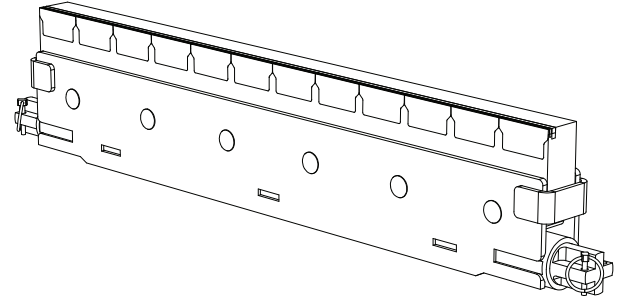
Richwood® 1C Cleaner Flexco Retrofit Replacement Blades

Richwood® is a registered trademark of Richwood Industries, Inc. The replacement parts described herein are designed and made by Flexco. Flexco is not affiliated with or authorized by Richwood.

Retrofit Blade/Holder

BELT WIDTH		FLAT BLADE		CURVED BLADE		WT. LBS.
in.	mm	ORDERING NUMBER	ITEM CODE	ORDERING NUMBER	ITEM CODE	
18	450	RWSECS-18F	91417	RWSECS-18C	91560	42.0
24	600	RWSECS-24F	91418	RWSECS-24C	91561	53.0
30	750	RWSECS-30F	91419	RWSECS-30C	91562	64.0
36	900	RWSECS-36F	91420	RWSECS-36C	91563	76.0
42	1050	RWSECS-42F	91421	RWSECS-42C	91564	86.0
48	1200	RWSECS-48F	91422	RWSECS-48C	91565	97.0
54	1350	RWSECS-54F	91423	RWSECS-54C	91566	108.0
60	1500	RWSECS-60F	91424	RWSECS-60C	91567	120.0
72	1800	RWSECS-72F	91425	RWSECS-72C	91568	141.0
84	2100	RWSECS-84F	91426	RWSECS-84C	91569	163.0
96	2400	RWSECS-96F	91427	RWSECS-96C	91570	185.0

Lead time: 1 working day

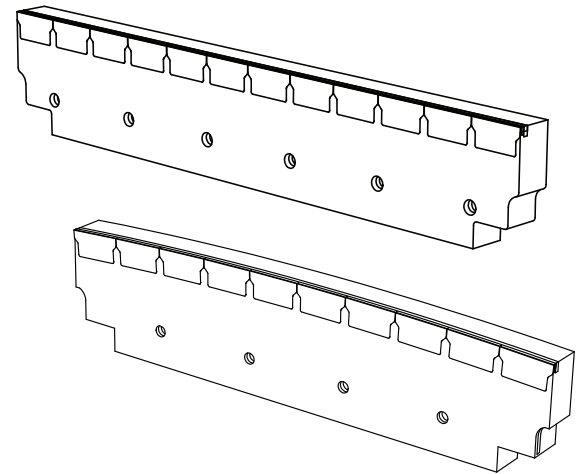


Replacement Blades

BELT WIDTH		FLAT BLADE		CURVED BLADE		WT. LBS.
in.	mm	ORDERING NUMBER	ITEM CODE	ORDERING NUMBER	ITEM CODE	
18	450	CBSBLD18F	79947	CBSBLD18C	91527	16.0
24	600	CBSBLD24F	79948	CBSBLD24C	91528	22.0
30	750	CBSBLD30F	79949	CBSBLD30C	91529	27.0
36	900	CBSBLD36F	79950	CBSBLD36C	91530	33.0
42	1050	CBSBLD42F	79951	CBSBLD42C	91531	39.0
48	1200	CBSBLD48F	79952	CBSBLD48C	91532	45.0
54	1350	CBSBLD54F	79953	CBSBLD54C	91533	50.0
60	1500	CBSBLD60F	79954	CBSBLD60C	91534	56.0
72	1800	CBSBLD72F	79955	CBSBLD72C	91535	67.0
84	2100	CBSBLD84F	79956	CBSBLD84C	91536	79.0
96	2400	CBSBLD96F	79957	CBSBLD96C	91537	90.0

Lead time: 1 working day

Shaded items are made to order.
Lead time: 3 weeks



Product Notes:


- Works with mechanical or vulcanized splices.
- Pole end adjustment allows the blade to be set at a perfect attack angle for the application.
- Replacement blades with this design are simple and easy – no longer do you need to purchase an entire blade/pole assembly to replace the blade.

Optional Mounting Kits

Installation Accessories

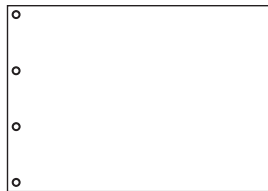
OPTIONAL MOUNTING KITS FOR BELT CLEANERS

Versatile, adjustable brackets and plates that can be mounted on the conveyor structure so precleaners and secondary cleaners can be easily and quickly bolted into place.



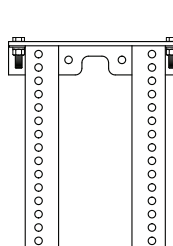
75830
Optional Mounting Bar Kit
(with bolts, nuts and washers)

- For mounting precleaners on open head pulleys.
- Weld on both sides of pulley and bolt on steel plates.
- For use with MSP, MMP, MHP, MHCP



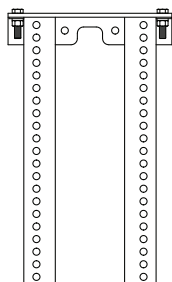
76537
Mounting Plate Kit (incl. 2 plates, 16" x 32" (400 mm x 800 mm))

- For use with Mounting Bars to mount cleaners on open head pulleys.
- For use with MSP, MMP, MHP, MHCP



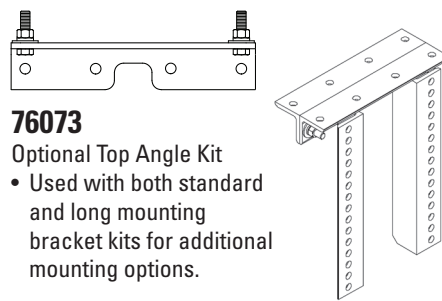
76071
Standard Mounting Bracket Kit

- For MHS/MDWS secondary cleaner installs.



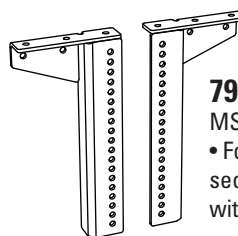
76072
Long Mounting Bracket Kit

- For installations that require extra length legs.



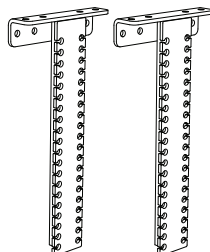
76073
Optional Top Angle Kit

- Used with both standard and long mounting bracket kits for additional mounting options.



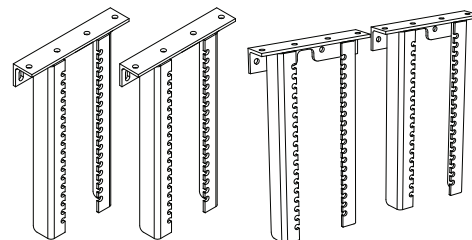
79434
MST Drop Bracket Kit

- For installs of secondary cleaners with MST tensioners.



79536
Brush Cleaner Drop Bracket Kit

- For brush cleaner installations that require extra length legs.



113390 & 79850
Y-Type SD & HD Drop Bracket Kits

- For Y-Type cleaner installations that require extra length legs.

Optional Mounting Kits (incl. 2 brackets/bars)

DESCRIPTION	ORDERING NUMBER	ITEM CODE	WT. LBS.
Standard Mounting Bracket Kit *	SSTSMB	76071	34.3
Long Mounting Bracket Kit *	SSTLMB	76072	43.5
Optional Top Angle Kit *	SSTOTA	76073	10.5
Optional Mounting Bar Kit *	MMBK	75830	19.5
Mounting Plate Kit (incl. 2 plates)	MMPK	76537	140.0
MST Drop Brackets (2)	MSTDB	79434	27.7
Brush Cleaner Drop Brackets (2)	MBCDBK	79536	28.9
Y-Type Standard Duty Drop Brackets (2)	YSTDBK2	113390	32.0
Y-Type Heavy Duty Drop Brackets (2)	YSTHDBK	79850	32.1

*Hardware Included
Lead time: 1 working day

Specs and Notes:

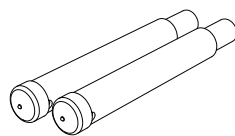
- Standard brackets are 13" x 15-1/2" (330 mm x 394 mm).
- Long brackets are 13" x 21-1/2" (330 mm x 546 mm).
- Mounting bars are 1-1/2" x 16" (38 mm x 400 mm) with (4) 5/8-11 tapped holes.
- Mounting plates are 16" x 32" (400 mm x 800 mm) with (4) 5/8" (16 mm) holes.

Pole Extender Kit (incl. 2 pole extenders)

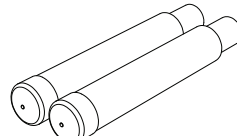
DESCRIPTION	ORDERING NUMBER	ITEM CODE	WT. LBS.
2-7/8" (73mm) Pole Extender Kit	MAPEK	76024	21.9
2-3/8" (60mm) Pole Extender Kit	RAPEK	77423	18.0

Provides 30" (750 mm) of extended pole length.
Lead time: 1 working day

77423
2-3/8" Pole Extender Kit



76024
2-7/8" Pole Extender Kit



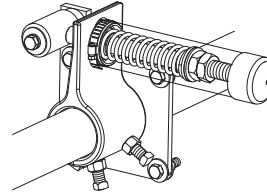
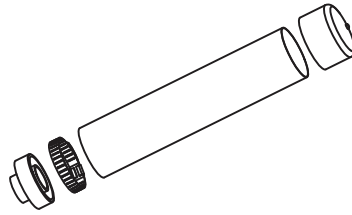
Product Ordering Information

Spring Tensioner Accessories

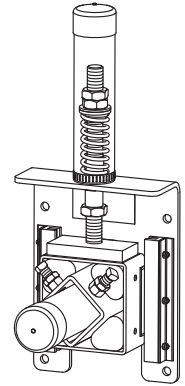
Spring Covers

ORDERING NUMBER	ITEM CODE	WT. LBS.
SPG-CVR-A	77387	0.3
SPG-CVR-B	77388	0.3
SPG-CVR-C	77389	0.3
SPG-CVR-D	77390	0.4
SPG-CVR-E	77391	0.4
SPG-CVR-F	77392	0.3
SPG-CVR-G	77393	0.3
SPG-CVR-H	77741	0.3

Includes 1 spring cover
Lead time: 1 working day



Spring cover on Precleaner tensioner



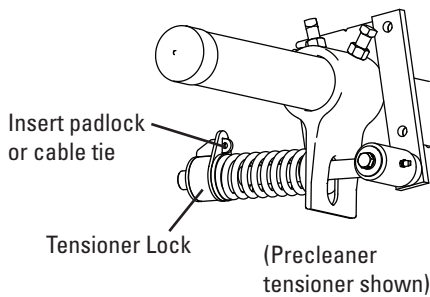
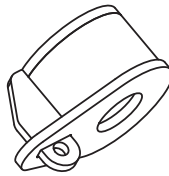
Spring cover on Secondary cleaner tensioner

Tensioner Lock*

Designed to prevent tampering or unauthorized retensioning of the cleaner.

ORDERING NUMBER	ITEM CODE	WT. LBS.
TEN-LOCK-KIT	77443	0.4

*For MSP, MMP, MHP, MHCP, H-Type Precleaners and MSS, MHS, MDWS Secondary Cleaners
Includes 1 tensioner lock
Lead time: 1 working day



Spring Cover Selection Chart

TENSIONER	SPRING COVER REQ'D
EST-P	77387
EST-S	77387
EST-B	77388
QMT-P	77389
QMT-W	77390
QMT-G	77391
QMT-S	77391
PST-R	77391
PST-W	77390
PST-S	77390
SST-W	77392
SST-S	77392
SST-B	77393
SST-G	77392
UST-P	77387
UST-S	77387
UST-W	77390
CST-W	77741
CST-S	77741
CST-B	77741
CST-G	77741

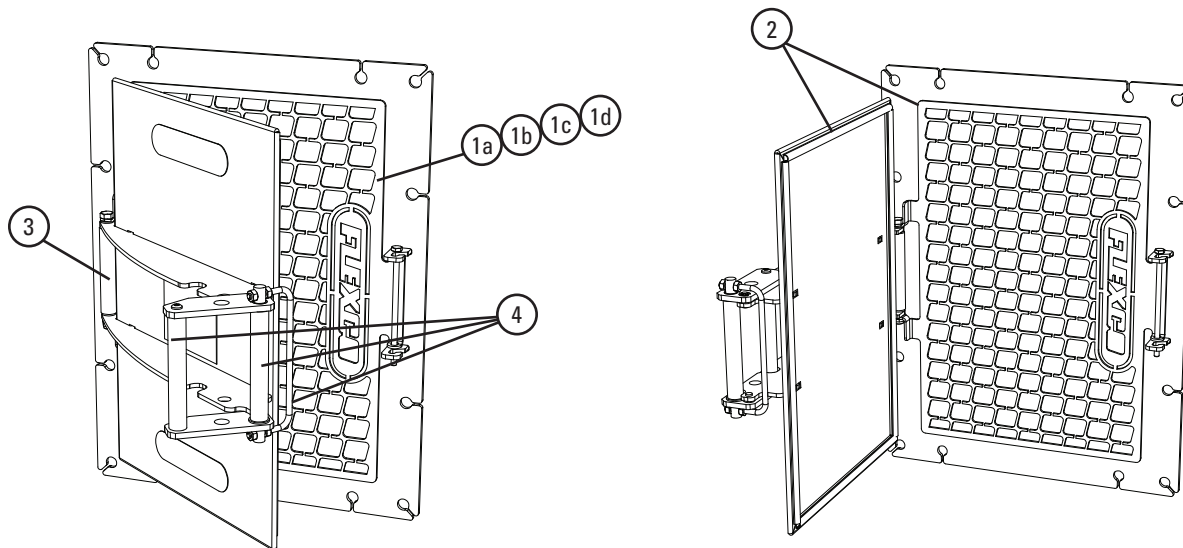
Product Ordering Information

Inspection Door

Inspection Doors

DESCRIPTION	ORDERING NUMBER	ITEM CODE	WT. LBS.
Inspection Door 12 x 12" (300 x 300mm)*	INDR-1212	79303	19.2
Inspection Door 12 x 18" (300 x 450mm)*	INDR-1218	79304	23.5
Inspection Door 18 x 24" (450 x 600mm)*	INDR-1824	79305	35.2
Inspection Door 24 x 24" (600 x 600mm)*	INDR-2424	79306	42.8
Inspection Door w/Screen 12 x 12" (300 x 300mm)*	INDR-1212S	79307	21.2
Inspection Door w/Screen 12 x 18" (300 x 450mm)*	INDR-1218S	79308	26.0
Inspection Door w/Screen 18 x 24" (450 x 600mm)*	INDR-1824S	79309	39.7
Inspection Door w/Screen 24 x 24" (600 x 600mm)*	INDR-2424S	79310	48.3

*Hardware included



Replacement Parts

REF	DESCRIPTION	ORDERING NUMBER	ITEM CODE	WT. LBS.
1a	Inspection Door Screen 12 x 12" (300 x 300mm)*	IDSC-1212	79311	1.9
1b	Inspection Door Screen 12 x 18" (300 x 450mm)*	IDSC-1218	79312	2.5
1c	Inspection Door Screen 18 x 24" (450 x 600mm)*	IDSC-1824	79313	4.4
1d	Inspection Door Screen 24 x 24" (600 x 600mm)*	IDSC-2424	79314	5.5
2	Replacement Seal - 5' (1.5 m)**	IDSEAL	79315	0.1
3	Replacement Hinge	IDHINGE	79316	0.2
4	Replacement Latch (incl. bolt, bushings & nut)	IDLATCH	79317	2.5

*Hardware included

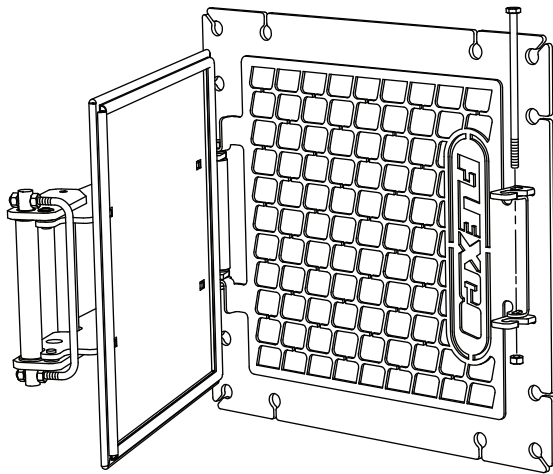
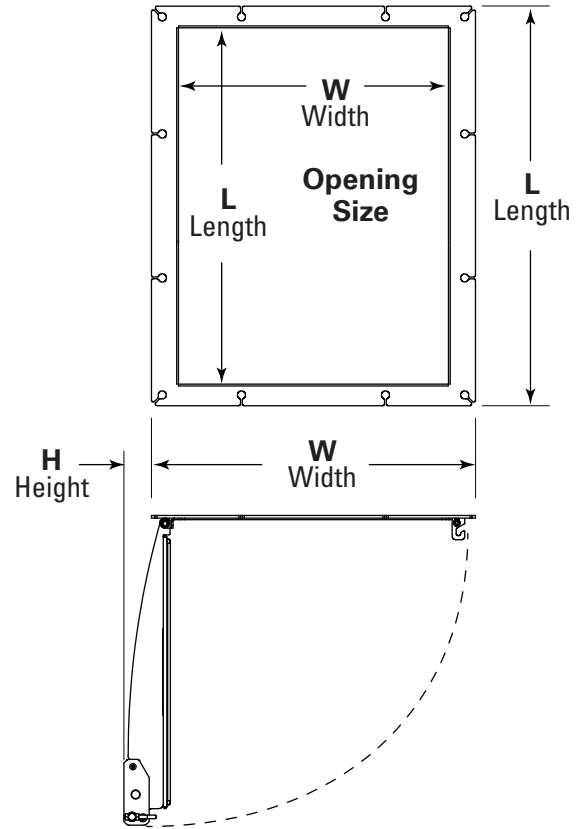
**One 5' length of seal is needed for 12 x 12" and 12 x 18" doors or screens, and two 5' lengths are needed for 18 x 24" and 24 x 24" doors or screens. Double if replacing seal on both door and screen.

Specifications & Guidelines

Inspection Door

Inspection Door Specifications

Door (Opening) Size (Width x Length)		Outer Dimensions (Width x Length)		Height	
in.	mm	in.	mm	in.	mm
12 x 12	300 x 300	16-5/16 x 15-3/4	415 x 400	3-7/16	90
12 x 18	300 x 450	16-5/16 x 21-3/4	415 x 555	3-7/16	90
18 x 24	450 x 600	22-5/16 x 27-3/4	570 x 705	3-7/16	90
24 x 24	600 x 600	28-5/16 x 27-3/4	720 x 705	3-7/16	90



Screen (Optional)

Screen serves as a guard that helps keep hands and tools from being placed into the chute/enclosure, but still allows visual access. Screen is hinged on the same side as the door and bolted in place on the other side so it does not require full removal for accessing the chute/enclosure. A wrench is required to remove the bolt that holds the screen in place as a safety feature. (Holes are sized per ANSI B11 and ISO 1819.)

Specifications:

- Temperature Rating-70 to 350°F (-55 to 175°C)

Product Ordering Information

Water Spray Pole Systems Belt Cleaner Accessories

Spray Pole Kits*

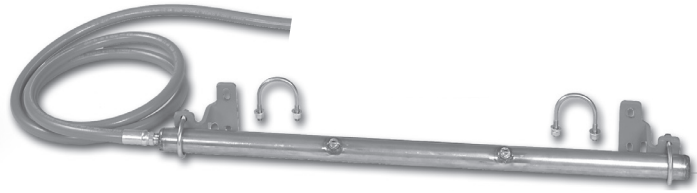
Standard & Heavy-Duty

BELT WIDTH		ORDERING NUMBER	ITEM CODE	WT. LBS.
in.	mm			
18	450	SPK18	74709	23.0
24	600	SPK24	74710	23.0
30	750	SPK30	74711	24.0
36	900	SPK36	74712	24.0
42	1050	SPK42	74713	25.5
42	1050	SPKHD42	74952	26.5
48	1200	SPK48	74714	26.0
48	1200	SPKHD48	74953	27.0
54	1350	SPK54	74715	27.0
54	1350	SPKHD54	74954	28.0
60	1500	SPK60	74716	28.0
60	1500	SPKHD60	74955	29.0
72	1800	SPK72	74717	30.0
72	1800	SPKHD72	74718	32.0
84	2100	SPKHD84	74719	34.0
96	2400	SPKHD96	74720	36.0
120	3000	SPKHD120	74721	40.0

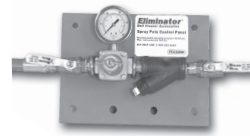
*Includes Spray Pole, Mounting Brackets, and 10' (3 m) Hose.
Standard-duty is for use on P-Type®, R-Type®, U-Type® 18–60" (450–1500 mm), Y-Type®SD, and EZS2 cleaners; Heavy-duty is for use on H-Type®, U-Type® 72–96" (1800–2400 mm), Y-Type®HD, FMS, CBS, MHS, and MDWS cleaners.

Other sizes available upon request.

Lead time: 1 working day



Spray Pole



Spray Pole Control Panel

Replacement Parts

DESCRIPTION	ORDERING NUMBER	ITEM CODE	WT. LBS.
Standard Spray Pole Mounting Kit	SPMK2	75578	3.6
HD Spray Pole Mounting Kit	SPMK3	75579	3.7
SP Ball Valve	SPBV	74742	0.6
SP Y Strainer	SPYS	74743	1.5
SP Pressure Regulator	SPPR	74744	1.2
SP Hose 10'	SPH10	74745	2.9
Spray Pole Nozzle	SPN	74746	0.1
Spray Pole Gauge	SPG	74747	0.5
SP SS Pipe Nipple	SPPN	74748	0.1

Lead time: 1 working day

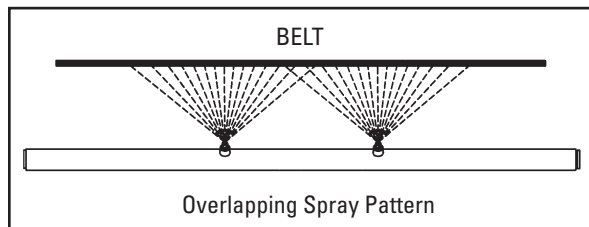
Control Assembly

DESCRIPTION	ORDERING NUMBER	ITEM CODE	WT. LBS.
SP Control Panel with Regulator, Strainer and Pressure Gauge	SPCP	74734	16.5

Lead time: 1 working day

Spray Nozzles Per Cleaner Size

in.	18	24	30	36	42	48	54	60	72	84	96	120
mm	450	600	750	900	1050	1200	1350	1500	1800	2100	2400	3000
No. Spray Nozzles	1	2	2	3	3	4	4	5	6	7	8	10

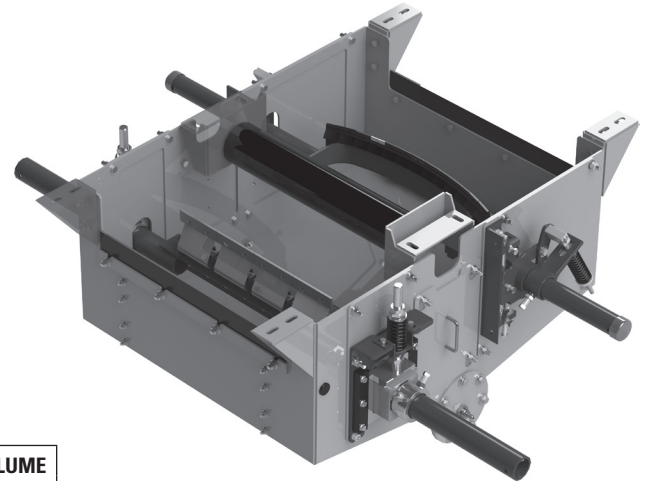


Specifications:

- Stainless steel pole with powder coated steel clamping brackets.
- Spray nozzles are spaced on 12" (300 mm) centers.
- Delivers .98 gallons (3.7 liters) per minute at 60 PSI (414 kPa).
- Generally will affect moisture content of material by less than ½%.
- Maximum inlet pressure is 300 PSI (2069 kPa).
- Typical pressure setting is 40–60 PSI (276–414 kPa).

Product Ordering Information

Wash Box



Wash Box

BELT WIDTH		DRAIN	ORDERING NUMBER	ITEM CODE	WT. LBS.	FLUSH HOLES PER BELT WIDTH	VOLUME CU. FT.
in.	mm						
24	600	Rear	WB24-2-S/S	K2546	484.91	5	22.66
30	750	Rear	WB30-2-S/S	K2547	532.57	5	26.39
36	900	Rear	WB36-2-S/S	K2548	574.70	6	30.11
42	1050	Rear	WB42-2-S/S	K2549	616.83	6	33.84
48	1200	Rear	WB48-2-S/S	K2550	658.96	7	37.56
54	1350	Rear	WB54-2-S/S	K2551	701.09	7	41.29
60	1500	Rear	WB60-2-S/S	K2552	743.22	8	45.01
72	1800	Rear	WB72-2-S/S	K2553	827.48	9	52.46
84	2100	Rear	WB84-2-S/S	K2554	911.74	10	59.91
96	2400	Rear	WB96-2-S/S	K2555	996.00	11	67.36
24	600	Center	WB24C-2-S/S	K2686	462.72	9	20.71
30	750	Center	WB30C-2-S/S	K2687	504.00	9	24.12
36	900	Center	WB36C-2-S/S	K2688	544.17	11	27.52
42	1050	Center	WB42C-2-S/S	K2689	585.45	11	30.93
48	1200	Center	WB48C-2-S/S	K2690	626.73	13	34.33
54	1350	Center	WB54C-2-S/S	K2691	668.01	13	37.74
60	1500	Center	WB60C-2-S/S	K2692	709.29	15	41.14
72	1800	Center	WB72C-2-S/S	K2693	791.85	17	47.95
84	2100	Center	WB84C-2-S/S	K2694	874.41	19	54.76
96	2400	Center	WB96C-2-S/S	K2695	956.97	21	61.57

The dimensions, mass & volumes shown here are nominal for a standard Flexco Wash Box and will be confirmed to suit each specific application. Each flush hole's flow rate is approximately 0.13 gallon per minute at 60 PSI.

Lead-time: 4-6 weeks

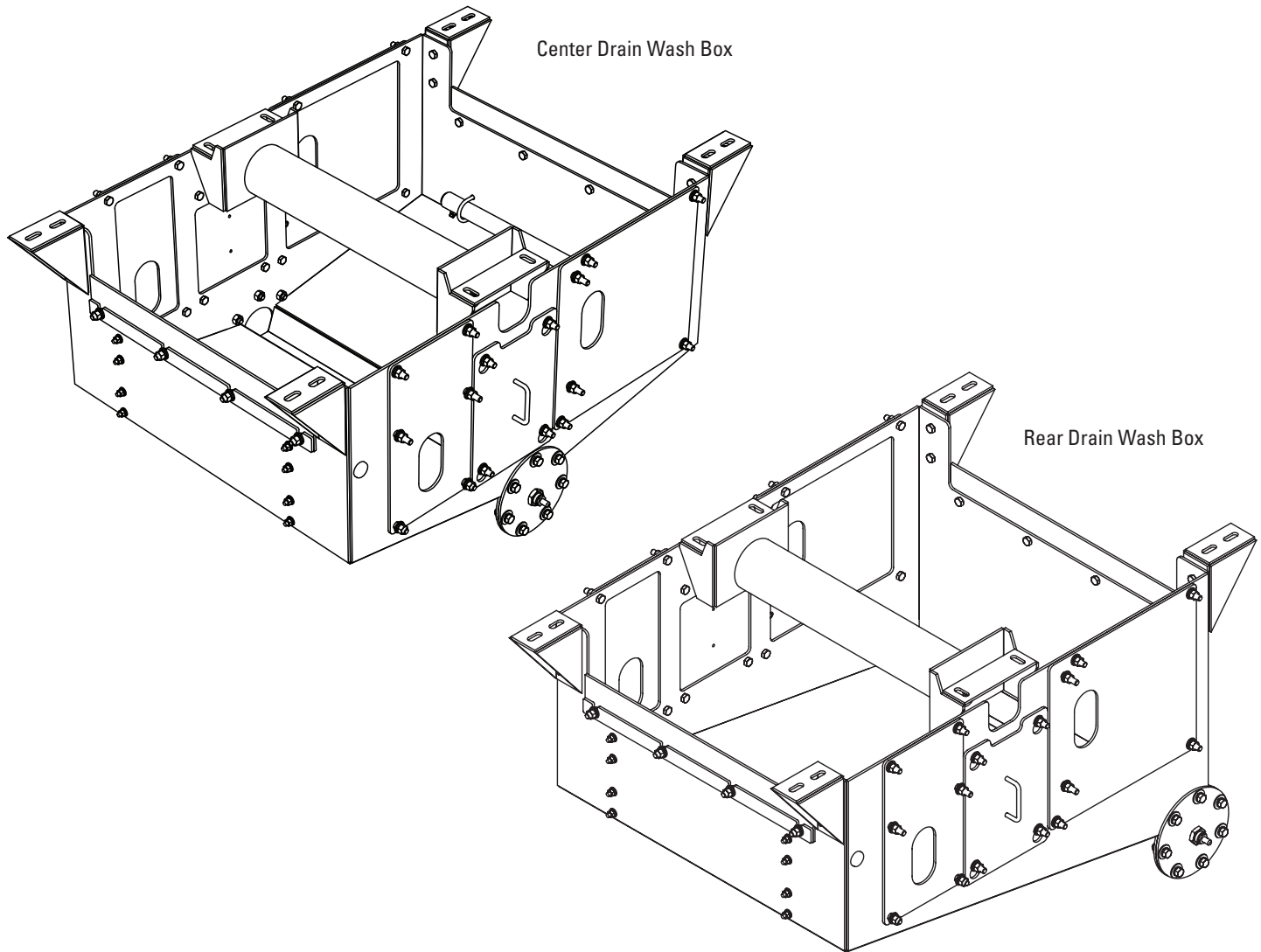
Control Assembly

DESCRIPTION	ORDERING NUMBER	ITEM CODE	WT. LBS.
SP Control Panel with Regulator, Strainer and Pressure Gauge	SPCP	74734	16.5

Lead time: 1 working day

Product Notes:

- Flexco Wash Box system provides a high-efficiency customized belt cleaning solution for even the toughest applications.
- Fully enclosed to clean the belt and then contain the waste wash water.
- Washdown sprays flush material off the bottom pan and out the drain portal.
- Custom mounting plates match cleaner selection for optimal sealing.
- Hinged doors located on each side for easy inspection.
- Built-in belt spray bar enhances cleaning efficiency and simplifies cleaner service.



Specifications:

- Maximum Belt Speed 1500 FPM (7.6 m/s)
- Temperature Rating -30 to 180°F (-35 to 192°C)
- Available for Belt Widths 24 to 96" (600 to 2400 mm)
- Drain Options Rear Drain (suitable for most applications)
Center Drain (suitable for conveyors level to ground)
- Construction Materials..... 304 Stainless
- For Use With..... Any Flexco Secondary Cleaner Combination

Product Ordering Information

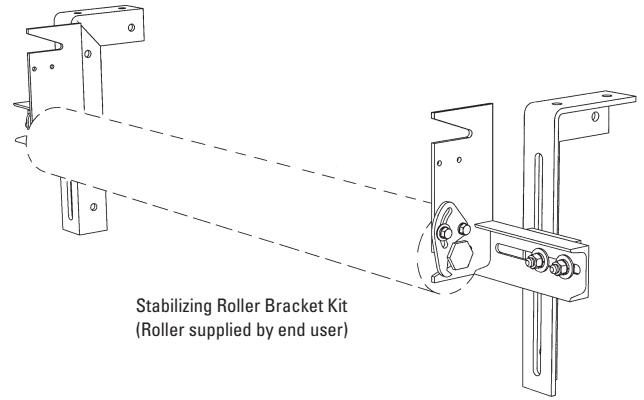
Stabilizing Roller Bracket Kit Belt Cleaner Accessories

Stabilizing Roller Bracket Kit*

Provides universal brackets to mount the user's return roller as a hold-down (stabilizing) roller on top of the return side belt. Holds the belt flat so the belt cleaner can maximize its cleaning performance.

DESCRIPTION	ORDERING NUMBER	ITEM CODE	WT. LBS.
Stabilizing Roller Bracket Kit	SRBK	74941	34.0

*Works with most CEMA C and D rollers.
Lead time: 1 working day



Stabilizing Roller Bracket Kit
(Roller supplied by end user)

Product Ordering Information

Live-Shaft Hold-Down Roll Belt Cleaner Accessories

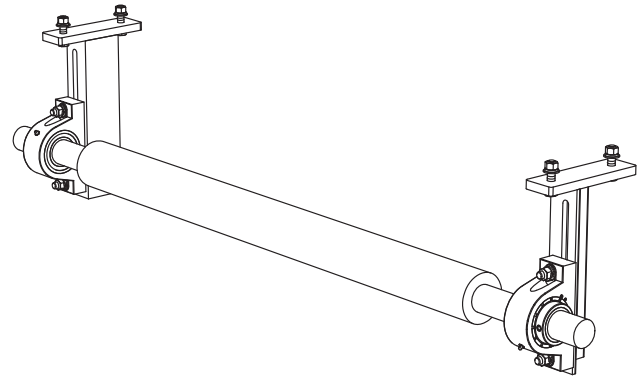
Live-Shaft Hold-Down Roll

BELT WIDTH		ROLL DIAMETER		ORDERING NUMBER	ITEM CODE	WT. LBS
in.	mm	in.	mm			
24	600	4 1/2	114	HDR24	79010	159.0
30	750	4 1/2	114	HDR30	79011	169.0
36	900	4 1/2	114	HDR36	79012	180.0
42	1050	4 1/2	114	HDR42	79013	190.0
48	1200	4 1/2	114	HDR48	79014	249.0
54	1350	4 1/2	114	HDR54	79015	255.0
60	1500	4 1/2	114	HDR60	79016	265.0
72	1800	5	127	HDRS72*	79017	565.0
84	2100	5	127	HDRS84*	79018	615.0

Includes roller bracket kit.

*72 and 84" (1800 and 2100 mm) feature solid roll.

Lead time: 1 working day



Replacement Roll

BELT WIDTH		ROLL DIAMETER		ORDERING NUMBER	ITEM CODE	WT. LBS
in.	mm	in.	mm			
24	600	4 1/2	114	HDRR24	79019	114.0
30	750	4 1/2	114	HDRR30	79020	124.0
36	900	4 1/2	114	HDRR36	79021	135.0
42	1050	4 1/2	114	HDRR42	79022	145.0
48	1200	4 1/2	114	HDRR48	79023	204.0
54	1350	4 1/2	114	HDRR54	79024	210.0
60	1500	4 1/2	114	HDRR60	79025	220.0
72	1800	5	127	HDRRS72*	79026	520.0
84	2100	5	127	HDRRS84*	79027	570.0

*72 and 84" (1800 and 2100 mm) feature solid roll.

Lead time: 1 working day

Roller Bracket Kit*

DESCRIPTION	ORDERING NUMBER	ITEM CODE	WT. LBS
Hold Down Roll Bracket Kit 24–60" (600–1500mm)	HDRBK	79009	45.0
HD Hold Down Roll Bracket Kit 72–84" (1800–2100mm)	HDRBK-HD	79072	45.0

*Includes Left and Right Bracket

Lead time: 1 working day

Add-On Grease Hose Extension Kit

DESCRIPTION	ORDERING NUMBER	ITEM CODE	WT. LBS
Grease Hose Extension Kit (incl. (2) ea. 16" hose w/fittings and tie-downs)	HDRGEK	79236	1.0

Lead time: 1 working day

Specifications:

- Overall Roll Length Belt Width +6" (150 mm)
- Overall Shaft Length Belt Width +30" (750 mm)
- Shaft Diameter 24–42" (600–1050 mm) – 1-15/16" diameter
48–60" (1200–1500 mm) – 2-7/16" diameter
72–84" (1800–2100 mm) – 2-15/16" diameter
- Shaft Construction 24–60" (600–1500 mm) – 1045 CD
72–84" (1800–2100 mm) turned from solid 4140 round stock

Product Notes:

- For use in applications with belt cup or belt flap.
- By preventing these issues secondary cleaner performance and blade/tip life is enhanced.

Product Ordering Information

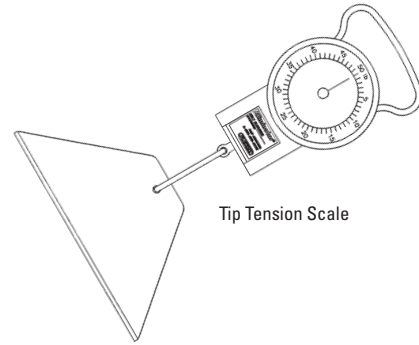
Optional Installation Tools

Tip Tension Scale

For easy checking of blade tension on all H-Type® Precleaners.

DESCRIPTION	ORDERING NUMBER	ITEM CODE	WT. LBS.
H Tip Tension Scale	HTTS	74141	0.1

Lead time: 1 working day



Tip Tension Scale

Spring Tension Chart

CLEANER	HXF	H V-Tip	H Protected V-Tip	High-Temp V-Tip
LBS.	28	18	18	18
KG.	12.7	8.2	8.2	8.2

For installation and for retensioning blades during maintenance.

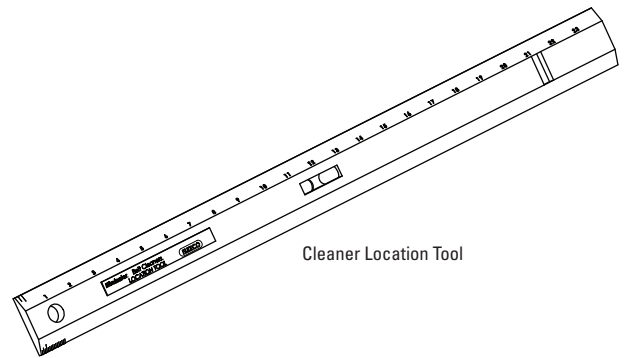
Cleaner Location Tool

Handy 2-in-1 tool for measuring and leveling during cleaner installation.

DESCRIPTION	ORDERING NUMBER	ITEM CODE	WT. LBS.
Location Tool	ELT	74774	0.3

Length - 24" (600 mm)

Lead time: 1 working day



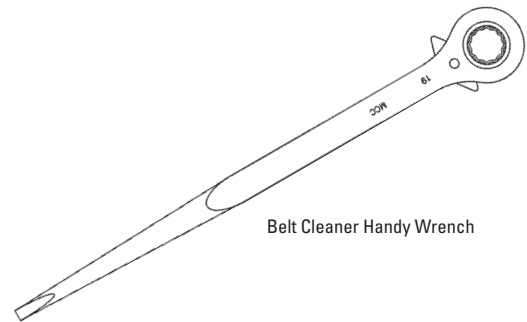
Cleaner Location Tool

Belt Cleaner Handy Wrench

A ratcheting wrench with 2 common socket sizes (11/16 & 3/4" (17 & 19 mm)) for belt cleaner installation and maintenance.

DESCRIPTION	ORDERING NUMBER	ITEM CODE	WT. LBS.
Belt Cleaner Handy Wrench	HW-BC	74100	1.2

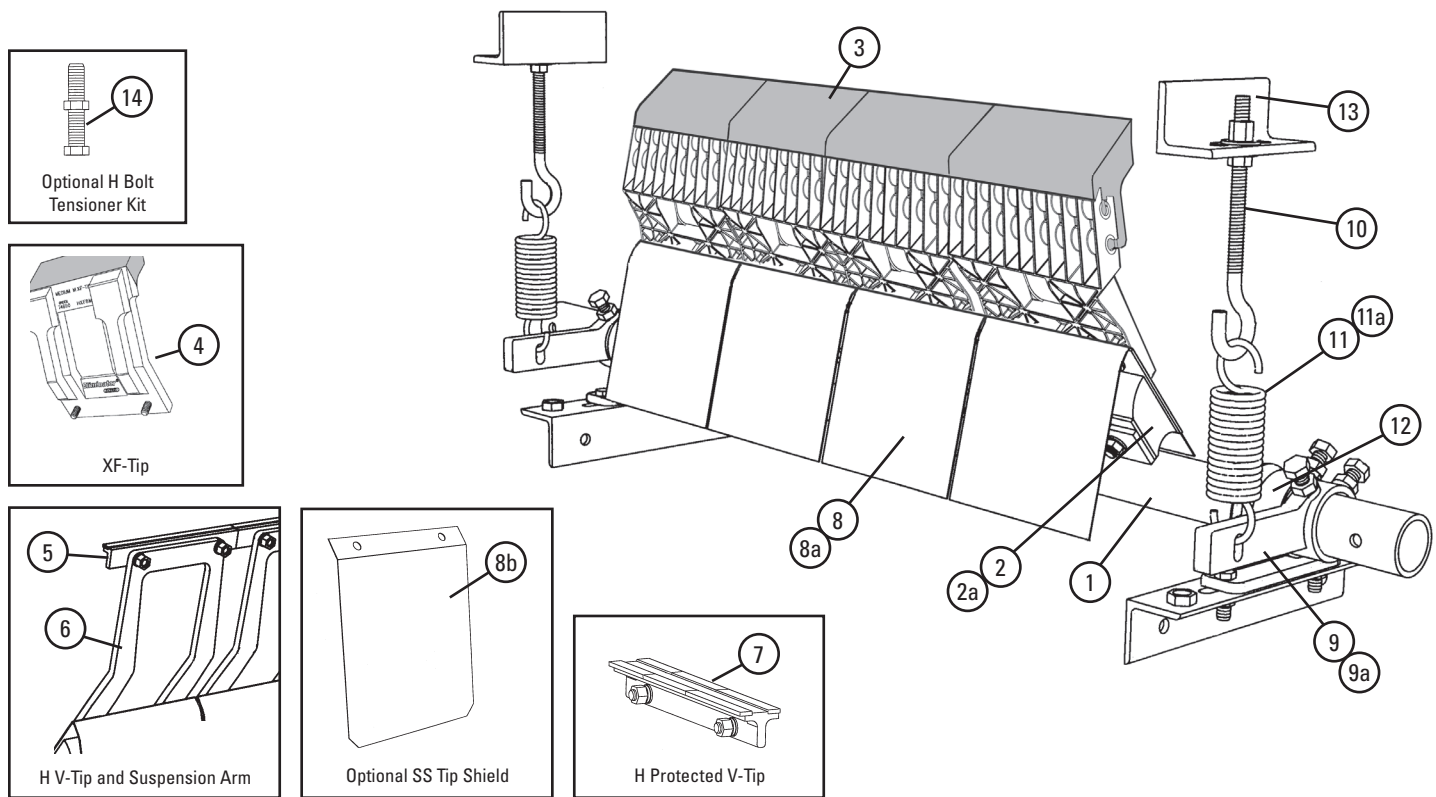
Lead time: 1 working day



Belt Cleaner Handy Wrench

Product Ordering Information

Old-Style H-Type® Cleaners Legacy Belt Cleaner Parts



Replacement Parts

REF	DESCRIPTION	ORDERING NUMBER	ITEM CODE	WT. LBS.
1	18" (450mm) Pole	HP-18	78990	23.0
	24" (600mm) Pole	HP-24	78991	27.0
	30" (750mm) Pole	HP-30	78992	29.0
	36" (900mm) Pole	HP-36	78993	33.0
	42" (1050mm) Pole	HP-42	78994	43.0
	48" (1200mm) Pole	HP-48	78995	47.0
	54" (1350mm) Pole	HP-54	78996	53.0
	60" (1500mm) Pole	HP-60	78997	59.0
	72" (1800mm) Pole	HP-72	78998	66.0
2	H2 XF-Tip Cushion* (for HXF2 & HV Tips)	HXFC2	75902	4.0
2a	H2 F-Tip Cushion* (for SS HXF2 & SS HV Tips)	HFC2	75901	4.0
	HXF2-Tip Extra Small*	HXF2-SS	75979	3.0
3	HXF2-Tip Small*	HXF2-S	75980	3.4
	HXF2-Tip Medium*	HXF2-M	75981	3.8
	HXF2-Tip Large*	HXF2-L	75982	4.1
4	H XF-Tip Extra Small*	HXF8S	74307	3.4
	H XF-Tip Small*	HXF8S	74689	3.8
	H XF-Tip Medium*	HXF8M	74690	4.1
	H XF-Tip Large*	HXF8L	74691	4.5
5	H V-Tip (for vulcanized belts only)	HVT8-S/S	75419	1.0
	H SSS Suspension Arm*	HSA8SSS	75565	0.4
	H SS Suspension Arm*	HSA8SS	73047	0.5
	H S Suspension Arm*	HSA8S	73048	1.0
	H M Suspension Arm*	HSA8M	73049	1.5
	H L Suspension Arm*	HSA8L	73063	2.0
6	H LL Suspension Arm*	HSA8LL	73064	2.5
	H Protected V-Tip* (for vulcanized belts only)	HVPT	73631	2.7

REF	DESCRIPTION	ORDERING NUMBER	ITEM CODE	WT. LBS.
8	H Polysshield	HPS8	73050	0.5
8a	H SS Cushion Shield	HSSCS	74772	0.6
8b	H SS Tip Shield	HSSTS	74771	0.5
9	H Adjusting Arm Repair Kit* (incl. (1) adjusting arm)	HAR-K	78786	6.0
9a	H HD Adjusting Arm Repair Kit* (incl. (1) adjusting arm)	HDARK	74550	8.0
10	J-Bolt Kit* (1 ea.)	STJK	74417	0.7
11	Tension Spring (1 ea.) for 18" (450mm)	STTS	74419	1.4
11a	HD Tension Spring (1 ea.) for sizes 24"-72" (600-1800mm)	HDTs	74502	2.0
12	Pole Lock (1 ea.)	EZP1PL	75641	1.1
13	Spring Tensioner J-Bolt Mount (1 ea.)	STJM	74775	3.0
-	H Mounting/J-Bolt Kit - Single (incl. (1) ea. items 9-13, (2) ea. bracket/bearing)	H-MK1	78987	20.0
-	H Mounting/J-Bolt Kit - Dual (incl. (2) ea. items 9-13, (2) ea. item 12)	H-MK2	78801	24.4
-	Spring Tension Kit - Single (incl. (1) ea. items 10, 11, 13, (2) ea. item 12)	STKS	74505	6.8
-	Spring Tension Kit - Dual (incl. (2) ea. items 10-13)	STKD	74504	11.2
-	Spring Tension Kit HS - Single (incl. (1) ea. items 10, 11a, 13, (2) ea. item 12)	STKHSS	74313	8.0
-	Spring Tension Kit HS - Dual (incl. (2) ea. items 10, 11a, 12, 13)	STKHSD	74316	16.0
14	H Bolt Tensioner Kit (incl. (2) adjusting bolts, (2) jam nuts)	HBTK	74776	0.5

*Hardware included

Pole Diameter - 2-3/8" (60 mm)

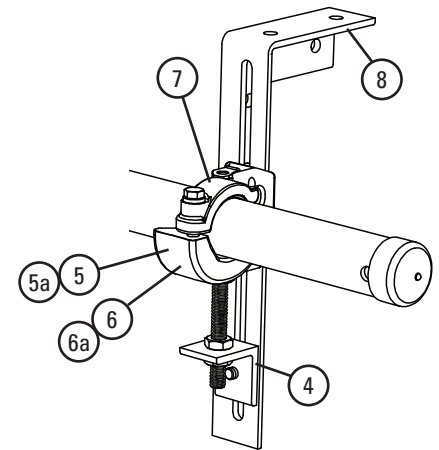
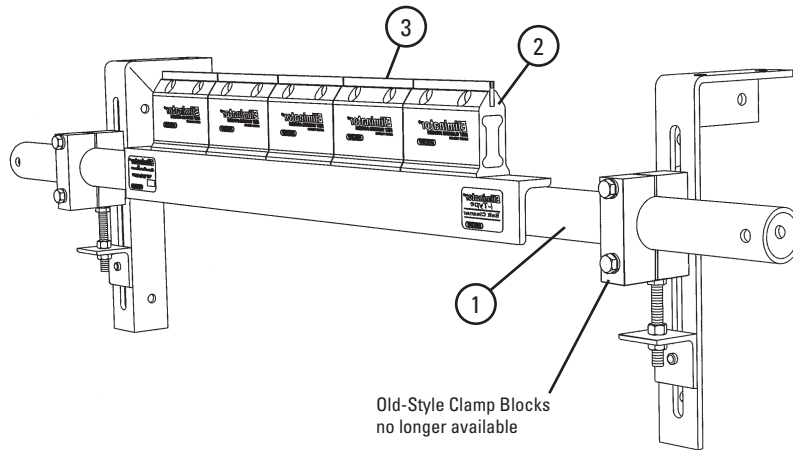
Lead time: 1 working day

Shaded items are made to order.

Lead time: 10 working days

Product Ordering Information

I-Type™ Legacy Belt Cleaner Parts



New Style Clamp Block

Replacement Parts

REF	DESCRIPTION	ORDERING NUMBER	ITEM CODE	WT. LBS.
1	18" (450mm) Pole	EZS2P18	75652	25.0
	24" (600mm) Pole	EZS2P24	75653	28.0
	30" (750mm) Pole	EZS2P30	75654	30.0
	36" (900mm) Pole	EZS2P36	75655	34.0
	42" (1050mm) Pole	EZS2P42	75656	36.0
	48" (1200mm) Pole	EZS2P48	75657	39.0
	54" (1350mm) Pole	EZS2P54	75658	42.0
	60" (1500mm) Pole	EZS2P60	75659	77.0
	72" (1800mm) Pole	EZS2P72	75660	89.0
2	I Standard Cushion*	ISC	74534	2.1
3	I C-Tip* (for mechanically spliced and vulcanized belts)	ICT6	74535	0.7
4	Adjusting Bracket Kit (1 Right and 1 Left)	PAB	75513	1.5
5	Pole Clamp Kit - Left* (1 ea.) (incl. item 7) for sizes 18-54" (450-1350mm)	CCKL	79224	6.8
5a	HD Pole Clamp Kit - Left* (1 ea.) (incl. item 7a) for sizes 60-72" (1500-1800mm)	CCKHDL	79225	8.7
6	Pole Clamp Kit - Right* (1 ea.) (incl. item 7) for sizes 18-54" (450-1350mm)	CCKR	79228	6.8
6a	HD Pole Clamp Kit - Right* (1 ea.) (incl. item 7a) for sizes 60-72" (1500-1800mm)	CCKHDR	79229	8.7
7	Cradle Clamp Top Strap (1 ea.) for use on L or R Pole Clamp Kit	CCKTS	79232	1.1
7a	HD Cradle Clamp Top Strap (1 ea.) for use on L or R HD Pole Clamp Kit	CCKHDT	79233	1.7
8	Mounting Bracket Kit (1 Right and 1 Left)	EZS2MBK	75666	13.0
-	Cradle Clamp Mounting Kit* (incl. (1) ea. items 5, 6, & 8, (2) ea. items 4 & 7) for sizes 18-54" (450-1350mm)	CCMK	78919	33.0
-	HD Cradle Clamp Mounting Kit* (incl. (1) ea. items 5a, 6a, & 8, (2) ea. items 4 & 7a) for sizes 60-72" (1500-1800mm)	CCMKHD	78920	36.7

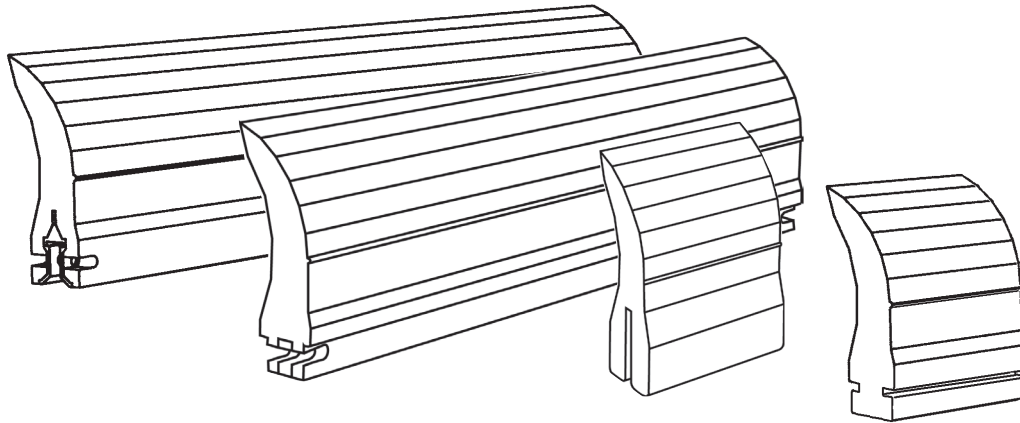
*Hardware included.

Pole Diameter - 2-3/8" (60 mm)

Lead time: 1 working day

Part Number Cross-Reference Guide

ConShear™ Replacement Blades for OEM Belt Cleaners



ConShear™ Blade Technology

The patented polyurethane blade design that delivers a conforming and shearing action to provide consistent belt cleaning.

- **Faceted Profile** – the blade forms a new cleaning edge each time the blade wears down to a new faceted section.
- **Long Wearing** – a proprietary polyurethane blend that provides up to 30% more wear life than conventional solid blades.
- **Material Path Option** – choose the blade size that spans just the material path on the belt. This minimizes differential wear between the ends and the center of the blade. It allows the blade to conform better to the belt for more cleaning power. See next page for more information.
- **Replacement Indicator** – a molded-in wear line provides easy visual notice when the blade is worn out and needs to be replaced.
- **Quick, Easy Change-Out** – simply pull one pin, remove the worn blade, insert the new blade and replace the pin.

For best cleaning and wear life results the ConShear™ blade must be located against the conveyor head pulley in the correct position and must be tensioned properly.

See next page for proper blade installation and tensioning instructions.

Installation and Tensioning Tips

ConShear™ Replacement Blades for OEM Belt Cleaners

For optimal cleaning efficiency and long wear life, the ConShear™ blade must be located and tensioned correctly on the belt head pulley. If the OEM cleaner pole is in the wrong location the performance of the new blade may be adversely affected. See "Possible Problems" below. For tensioning, please follow these instructions. Our recommended tensioning may be as much as 2 times more than the OEM recommendation, but the added tension is needed to take full advantage of the ConShear™ Blade Technology.

Correct Location:

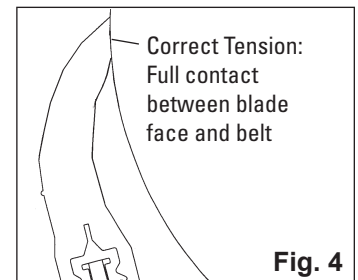
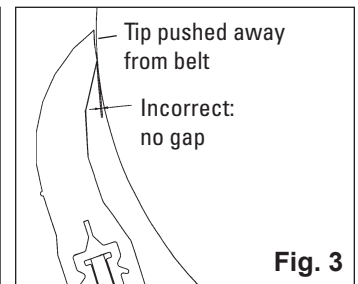
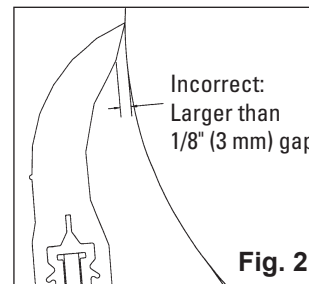
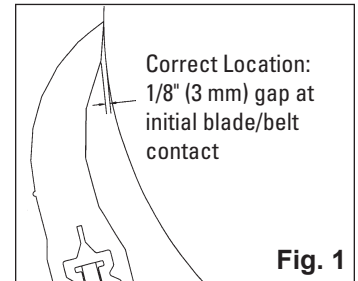
When blade contact is made against the head pulley (prior to tensioning) there should be a 1/16" (1.5 mm) to 1/8" (3 mm) gap at the bottom of the blade face (Fig. 1).

Possible Problems:

- **Pole location too far out** – The initial blade/belt contact gap will be larger than 1/8" (3 mm) (Fig. 2). If the blade is correctly tensioned it may flip through before it is fully worn. If tensioned too lightly, it will develop the "smile effect" quickly and not clean properly.
- **Pole location too far in** – If there is no gap at the initial blade/belt contact (Fig. 3), the tip of the blade may not be touching the belt. In this case, the blade will push away and lose its shearing (cleaning) effect. The blade may also develop a flap at the tip which may trap material.

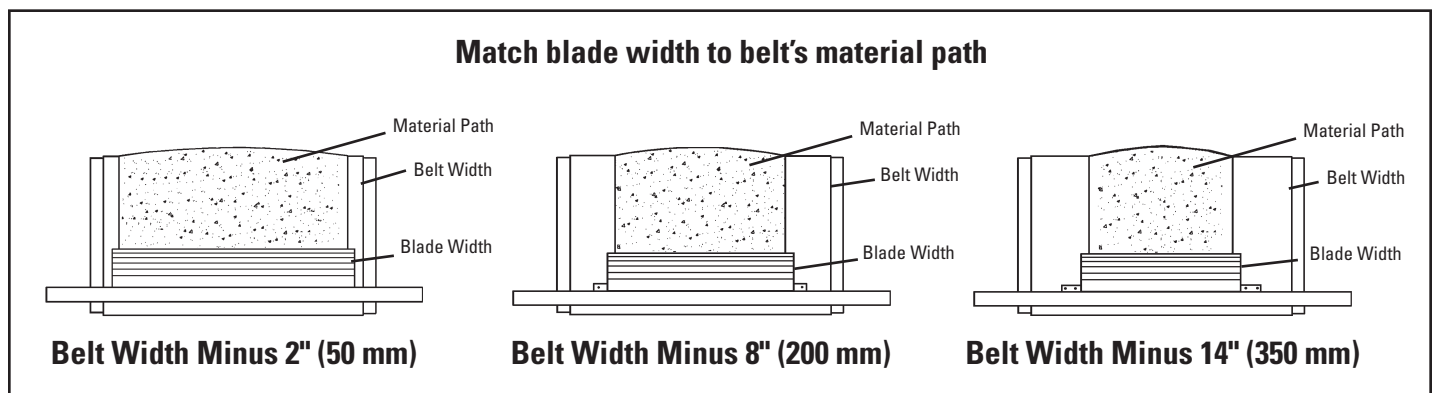
Correct Tensioning:

The blade should be tensioned until the gap is gone (Fig. 4).



The "Material Path" Option

For optimal cleaning and reduced blade retensioning, the cleaner blade width should be sized to fit the material path of the belt. The material path is typically the center 2/3 of the belt width. Choosing a blade only slightly wider than the material path can decrease differential blade wear which reduces blade retensioning maintenance, as well as reducing the frequency of blade replacement.



Part Number Cross-Reference Guide

Martin® QC1™ & Pit Viper™ Replacement Standard Blades

Ordering Information

BELT WIDTH		ACTUAL BLADE LENGTH		MARTIN® QC1™	MARTIN® PIT VIPER™	ORDERING	CONSHEAR™	WT.
in.	mm	in.	mm	PART NUMBER	PART NUMBER	NUMBER	ITEM CODE	LBS.
12	300	10	250	32773-1211	PV1211100R	CRB10	75628	4.6
18	450	16	400	32773-1811	PV1811160R	CRB16	75629	7.3
24	600	22	550	32773-2411	PV2411220R	CRB22	75630	10.1
30	750	28	700	32773-3011	PV3011280R	CRB28	75631	12.8
36	900	34	850	32773-3611	PV3611340R	CRB34	75632	15.5
42	1050	40	1000	32773-4211	PV4211400R	CRB40	75633	18.3
48	1200	46	1150	32773-4811	PV4811460R	CRB46	75634	21.0
54	1350	52	1300	32773-5411	PV5411520R	CRB52	75635	23.8
60	1500	58	1450	32773-6011	PV6011580R	CRB58	75636	26.5
72	1800	70	1750	32773-7211	PV7211700R	CRB70	75773	32.0

Additional blade sizes are available upon request. Call for pricing.

NOTE: Blade coverage is 2" (50 mm) less than belt width.

Lead time: 1 working day

NOTE: Also works on Baker-Bohnert Yellow Jacket™ Primary Cleaners.

Replacement Blade Pin

ORDERING NUMBER	ITEM CODE	WT. LBS.
EZP1BP	75642	0.1

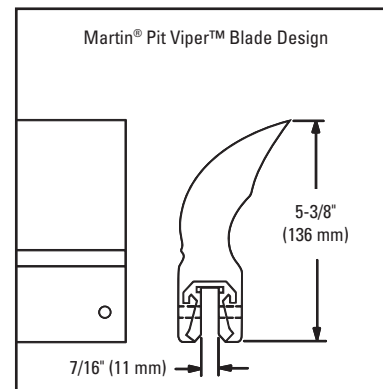
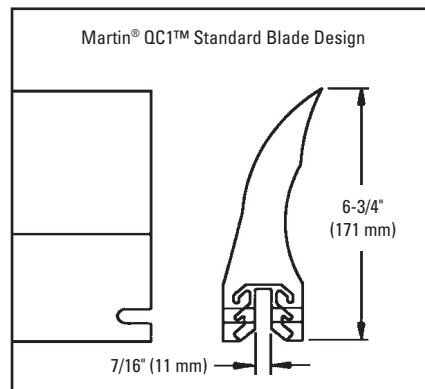
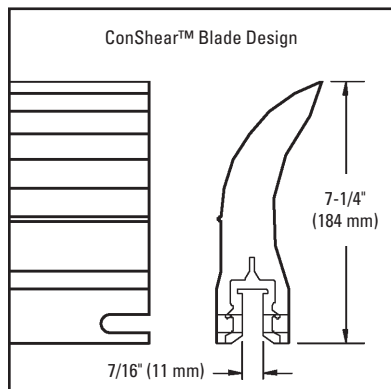
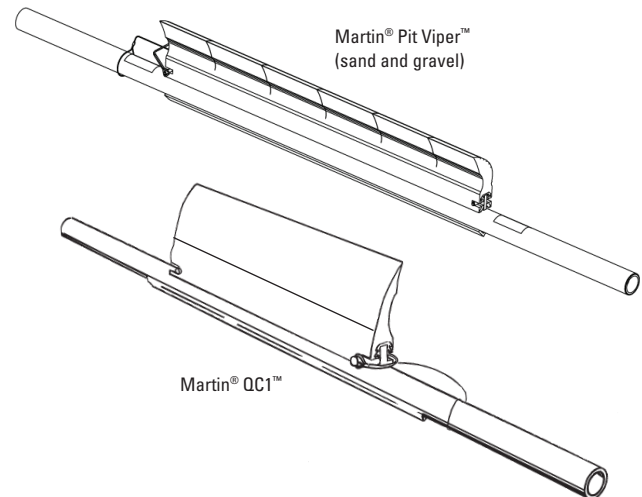
Lead time: 1 working day

Specifications

SLOT WIDTH	POLE PLATE THICKNESS	CONSHEAR™ BLADE HEIGHT	QC1™ BLADE HEIGHT
7/16" (11mm)	5/16" (8mm)	7-1/4" (184mm)	6-3/4" (171mm)

Usable Blade Volume Comparison

BLADE TYPE	BLADE LENGTH	USABLE BLADE AREA (cross-section)	USABLE BLADE VOLUME
Martin® QC1™	28" (711mm)	3.00in ² (19cm ²)	84.0in ³ (1376cm ³)
Martin® Pit Viper™	28" (711mm)	4.20in ² (27cm ²)	117.6in ³ (1927cm ³)
ConShear™	28" (711mm)	5.50in ² (35cm ²)	154.0in ³ (2523cm ³)



Martin® and QC1™ are registered trademarks, and Pit Viper™ is a trademark of Martin Engineering, Neponset, IL. Yellow Jacket™ is a trademark of Baker-Bohnert, Louisville, KY

Part Number Cross-Reference Guide

Martin® QC1™ Heavy-Duty Replacement Blades

Ordering Information

BELT WIDTH		ACTUAL BLADE LENGTH		MARTIN® QC1™ HD PART NUMBER	ORDERING NUMBER	CONSHEAR™ ITEM CODE	WT. LBS.
in.	mm	in.	mm				
18	450	12	300	35381-1811	RBQC1HD-12	75985	5.5
24	600	18	450	35381-2411	RBQC1HD-18	75986	8.3
30	750	24	600	35381-3011	RBQC1HD-24	75987	11.0
36	900	30	750	35381-3611	RBQC1HD-30	75988	13.8
42	1050	36	900	35381-4211	RBQC1HD-36	75989	16.6
48	1200	42	1050	35381-4811	RBQC1HD-42	75990	19.3
54	1350	48	1200	35381-5411	RBQC1HD-48	75991	22.1
60	1500	54	1350	35381-6011	RBQC1HD-54	75992	24.8
72	1800	66	1650	35381-7211	RBQC1HD-66	75993	30.4

Additional blade sizes are available upon request. Call for pricing.
NOTE: Blade coverage is 6" (150 mm) less than belt width.
Lead time: 1 working day

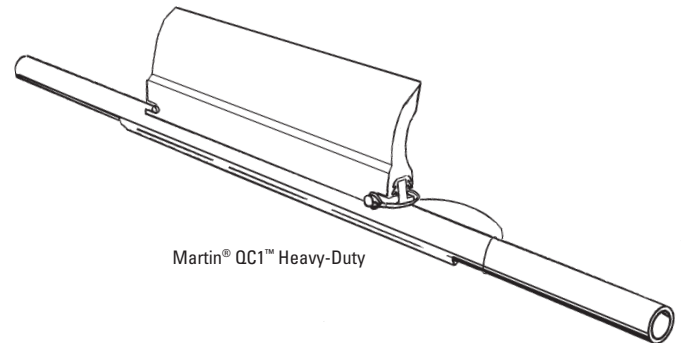
Replacement Blade Pin

ORDERING NUMBER	ITEM CODE	WT. LBS.
RB38BP	79481	0.2

Lead time: 1 working day

Specifications

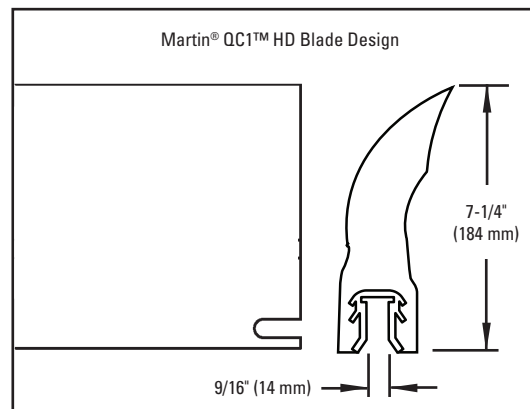
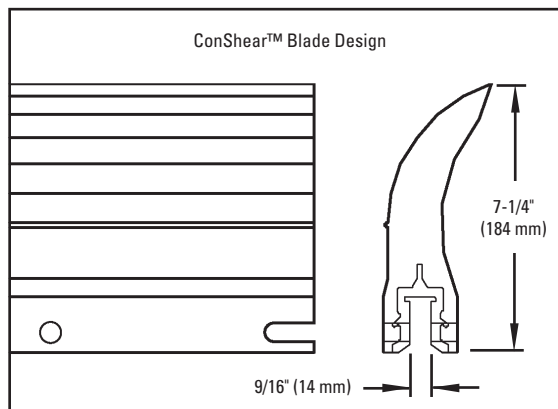
SLOT WIDTH	POLE PLATE THICKNESS	CONSHEAR™ BLADE HEIGHT	QC1™ HD BLADE HEIGHT
9/16" (14mm)	1/2" (12.5mm)	7-1/4" (184mm)	7-1/4" (185mm)



Martin® QC1™ Heavy-Duty

Usable Blade Volume Comparison

BLADE TYPE	BLADE LENGTH	USABLE BLADE AREA (cross-section)	USABLE BLADE VOLUME
Martin® QC1™ HD	28" (711mm)	6.65in ² (43cm ²)	186.2in ³ (3051cm ³)
ConShear™	28" (711mm)	5.50in ² (35cm ²)	154.0in ³ (2523cm ³)



Martin® and QC1™ are registered trademarks of Martin Engineering, Neponset, IL.

Part Number Cross-Reference Guide

Martin® QB1™
Replacement Blades

Ordering Information

BELT WIDTH		ACTUAL BLADE LENGTH		MARTIN® QC1™ HD PART NUMBER	ORDERING NUMBER	CON SHEAR™ ITEM CODE	WT. LBS.
in.	mm	in.	mm				
18	450	16	400	39344-1811160R	RBQB1-16/400	90935	7.3
24	600	18	450	39344-2411180R	RBQB1-18/450	90936	8.2
		22	550	39344-2411220R	RBQB1-22/550	90937	10.1
30	750	24	600	39344-3011240R	RBQB1-24/600	90938	11.0
		28	700	39344-3011280R	RBQB1-28/700	90939	12.8
36	900	30	750	39344-3611300R	RBQB1-30/750	90940	13.7
		34	850	39344-3611340R	RBQB1-34/850	90941	15.5
42	1050	36	900	39344-4211360R	RBQB1-36/900	90942	16.5
		40	1000	39344-4211400R	RBQB1-40/1000	90943	18.3
48	1200	42	1050	39344-4811420R	RBQB1-42/1050	90944	19.2
		46	1150	39344-4811460R	RBQB1-46/1150	90945	21.0
54	1350	48	1200	39344-5411480R	RBQB1-48/1200	90946	21.9
		52	1300	39344-5411520R	RBQB1-52/1300	90947	23.8
60	1500	54	1350	39344-6011540R	RBQB1-54/1350	90948	24.7
		58	1450	39344-6011580R	RBQB1-58/1450	90949	26.5
66	1650	60	1500	39344-6611600R	RBQB1-60/1500	90950	27.4
72	1800	64	1600	39344-7211640R	RBQB1-64/1600	90951	29.2
		70	1750	39344-7211700R	RBQB1-70/1750	90952	32.0
78	1950	72	1800	39344-7811720R	RBQB1-72/1800	90953	32.9

Lead time: 1 working day

Replacement Blade Pin

ORDERING NUMBER	ITEM CODE	WT. LBS.
QB1PCK	90954	4.8

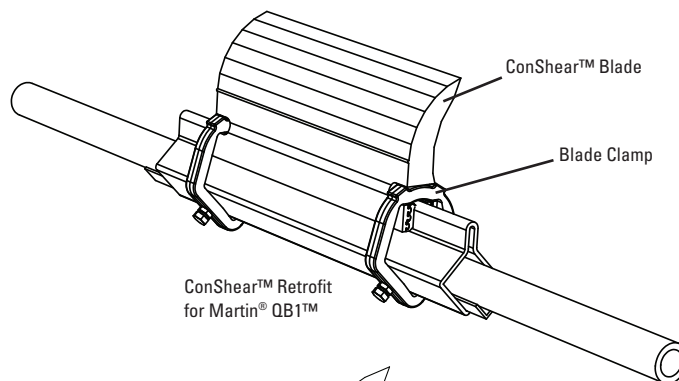
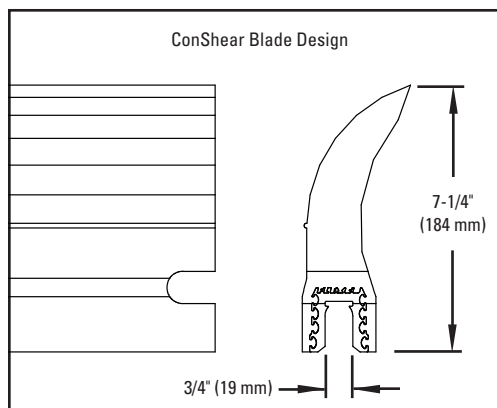
Lead time: 1 working day

Specifications

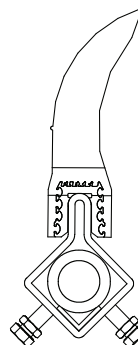
SLOT WIDTH	CON SHEAR™ BLADE HEIGHT	QC1™ BLADE HEIGHT
3/4" (19mm)	7-1/4" (184mm)	6-1/2" (165mm)

Usable Blade Volume Comparison

BLADE TYPE	BLADE LENGTH	USABLE BLADE AREA (cross-section)	USABLE BLADE VOLUME
Martin® QC1™	28" (711mm)	5.75in ² (37cm ²)	161.0in ³ (2638cm ³)
ConShear™	28" (711mm)	5.50in ² (35cm ²)	154.0in ³ (2523cm ³)



ConShear™ Retrofit for Martin® QB1™



Martin® and QB1™ are registered trademarks of Martin Engineering, Neponset, IL.

Part Number Cross-Reference Guide

Martin® QC1™ Extra Heavy-Duty Replacement Blades

Ordering Information

BELT WIDTH		BLADE WIDTH		MARTIN® QC1™ XHD PART NUMBER	ORDERING NUMBER	ITEM CODE	WT. LBS.
in.	mm	in.	mm				
24	600	18	450	35897-2411	TRB18	76485	21.0
30	750	24	600	35897-3011	TRB24	76486	28.0
36	900	30	750	35897-3611	TRB30	76487	35.0
42	1050	36	900	35897-4211	TRB36	76488	42.0
48	1200	42	1050	35897-4811	TRB42	76489	49.0
54	1350	48	1200	35897-5411	TRB48	76490	56.0
60	1500	54	1350	35897-6011	TRB54	76491	63.0
66	1650	60	1500	35897-6611	TRB60	76492	70.0
72	1800	66	1650	35897-7211	TRB66	76493	77.0
78	1950	72	1800	35897-7811	TRB72	76494	87.0
84	2100	78	1950	35897-8411	TRB78	76697	91.0
90	2250	84	2100	35897-9011	TRB84	77047	98.0
96	2400	90	2250	35897-9611	TRB90	77048	105.0

Additional blade sizes are available upon request. Call for pricing.

NOTE: Blade coverage is 6" (150 mm) less than belt width.

Lead time: 1 working day

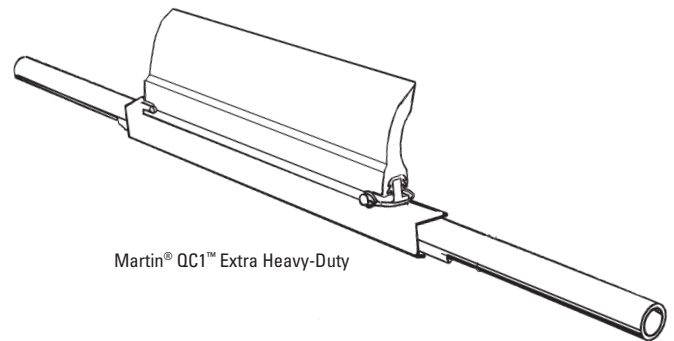
Replacement Blade Pin

ORDERING NUMBER	ITEM CODE	WT. LBS.
MMPBPK	76466	0.8

Lead time: 1 working day

Specifications

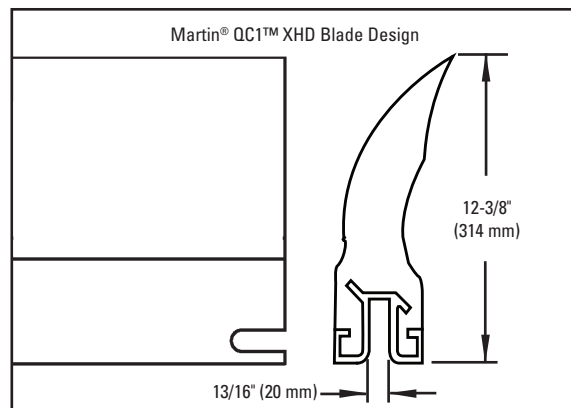
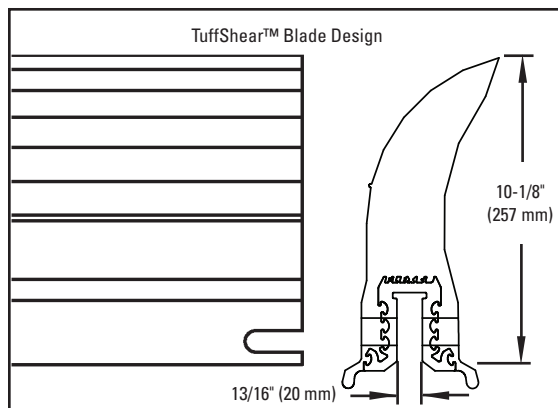
SLOT WIDTH	POLE PLATE THICKNESS	TUFFSHEAR™ BLADE HEIGHT	QC1™ XHD BLADE HEIGHT
13/16" (20mm)	3/4" (19mm)	10-1/8" (257mm)	12-3/8" (314mm)



Martin® QC1™ Extra Heavy-Duty

Usable Blade Volume Comparison

BLADE TYPE	BLADE LENGTH	USABLE BLADE AREA (cross-section)	USABLE BLADE VOLUME
Martin® QC1™ XHD	30" (762mm)	17.01in ² (109cm ²)	510.3in ³ (8362cm ³)
TuffShear™	30" (762mm)	12.08in ² (78cm ²)	362.7in ³ (5943cm ³)



Martin® and QC1™ are registered trademarks of Martin Engineering, Neponset, IL.

Part Number Cross-Reference Guide

Arch/Gordon Saber® Replacement Primary Blades

Ordering Information

BELT WIDTH		ACTUAL BLADE LENGTH		ARCH/GORDON® PART NUMBER	ORDERING NUMBER	CONShear™ ITEM CODE	WT. LBS.
in.	mm	in.	mm				
18	450	16	400	MRBSB000180000	RBAGS-16	75995	7.3
		18	450	MRBSB00018F000	RBAGS-18	76967	8.2
24	600	22	550	MRBSB000240000	RBAGS-22	75996	10.1
		24	600	MRBSB00024F000	RBAGS-24	76968	11.0
30	750	28	700	MRBSB000300000	RBAGS-28	75997	12.8
		30	750	MRBSB00030F000	RBAGS-30	76969	13.7
36	900	34	850	MRBSB000360000	RBAGS-34	75998	15.5
		36	900	MRBSB00036F000	RBAGS-36	76970	16.5
42	1050	40	1000	MRBSB000420000	RBAGS-40	75999	18.3
		42	1050	MRBSB00042F000	RBAGS-42	76971	19.2
48	1200	46	1150	MRBSB000480000	RBAGS-46	76028	21.0
		48	1200	MRBSB00048F000	RBAGS-48	76972	21.9
54	1350	52	1300	MRBSB000540000	RBAGS-52	76029	23.8
		54	1350	MRBSB00054F000	RBAGS-54	76973	24.7
60	1500	58	1450	MRBSB000600000	RBAGS-58	76030	26.5
		60	1500	MRBSB00060F000	RBAGS-60	76974	27.4
72	1800	70	1750	MRBSB000720000	RBAGS-70	76031	32.0
		72	1800	MRBSB00072F000	RBAGS-72	76975	32.9
84	2100	84	2100	MRBSB00084F000	RBAGS-84	76976	38.4

Additional blade sizes are available upon request. Call for pricing.

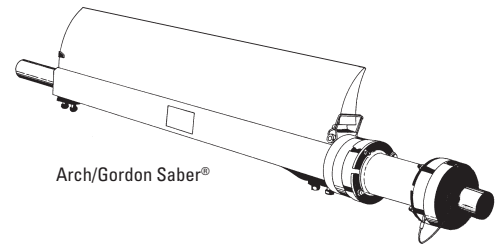
Lead time: 1 working day

NOTE: Also works on Falcon Primary Cleaners (Canada).

Replacement Blade Pin

ORDERING NUMBER	ITEM CODE	WT. LBS.
EZP1BP	75642	0.1

Lead time: 1 working day

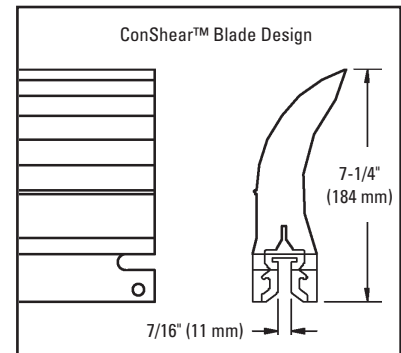


Arch/Gordon Saber®

ConShear™-LS for Arch/Gordon® Mini-Saber Blades

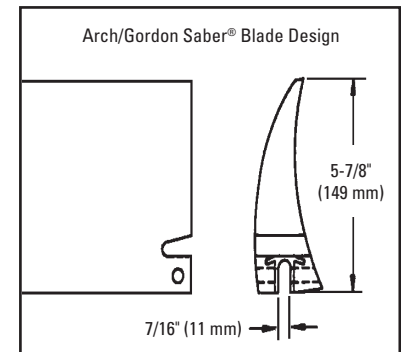
BELT WIDTH		BLADE WIDTH		ARCH/GORDON® PART NUMBER	ORDERING NUMBER	CONShear™-LS ITEM CODE	WT. LBS.
in.	mm	in.	mm				
18	450	16	400	MRBMN00018	RBAGM-16	77106	3.3
24	600	22	550	MRBMN00024	RBAGM-22	77107	4.6
30	750	28	700	MRBMN00030	RBAGM-28	77108	5.8
36	900	34	850	MRBMN00036	RBAGM-34	77109	7.1
42	1050	40	1000	MRBMN00042	RBAGM-40	77110	8.3
48	1200	46	1150	MRBMN00048	RBAGM-46	77111	9.6

Additional blade sizes are available upon request. Call for pricing.



Specifications

SLOT WIDTH	POLE PLATE THICKNESS	CONShear™ BLADE HEIGHT	SABER® BLADE HEIGHT
7/16" (11mm)	3/8" (9.5mm)	7-1/4" (184mm)	5-7/8" (149mm)



Usable Blade Volume Comparison

BLADE TYPE	BLADE LENGTH	USABLE BLADE AREA (cross-section)	USABLE BLADE VOLUME
Arch/Gordon Saber®	28" (711mm)	3.06in² (19cm²)	85.7in³ (1404cm³)
ConShear™	28" (711mm)	5.50in² (35cm²)	154.0in³ (2523cm³)

Saber® is a registered trademark of Arch Environmental Equipment Inc., Paducah, KY.

Part Number Cross-Reference Guide

Arch/Gordon Saber® (SCM) Replacement Channel Mount Blades

Ordering Information

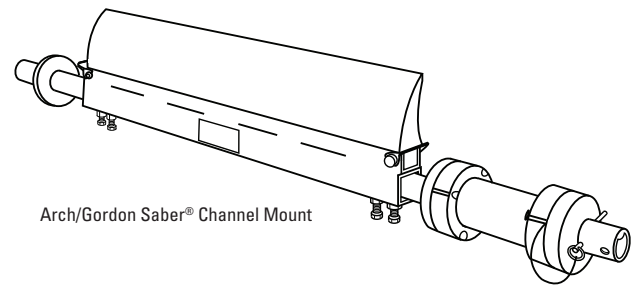
BELT WIDTH		ACTUAL BLADE LENGTH		ARCH/GORDON® PART NUMBER	ARCH/GORDON® OLD PART NUMBER	ORDERING NUMBER	CONShear™ ITEM CODE	WT. LBS.
in.	mm	in.	mm					
18	450	16	400	MRBCM00018	SCM-016-18	RBAGSCM-16	76572	7.3
24	600	22	550	MRBCM00024	SCM-016-24	RBAGSCM-22	76573	10.1
30	750	28	700	MRBCM00030	SCM-016-30	RBAGSCM-28	76574	12.8
36	900	34	850	MRBCM00036	SCM-016-36	RBAGSCM-34	76575	15.5
42	1050	40	1000	MRBCM00042	SCM-016-42	RBAGSCM-40	76576	18.3
48	1200	46	1150	MRBCM00048	SCM-016-48	RBAGSCM-46	76577	21.0
54	1350	52	1300	MRBCM00054	SCM-016-54	RBAGSCM-52	76578	23.8
60	1500	58	1450	MRBCM00060	SCM-016-60	RBAGSCM-58	76579	26.5
72	1800	70	1750	MRBCM00072	SCM-016-72	RBAGSCM-70	76581	32.0

Additional blade sizes are available upon request. Call for pricing.
NOTE: Blade coverage is 2" (50mm) less than belt width.

Replacement Blade Pin

ORDERING NUMBER	ITEM CODE	WT. LBS.
EZP1BP	75642	0.1

Lead time: 1 working day



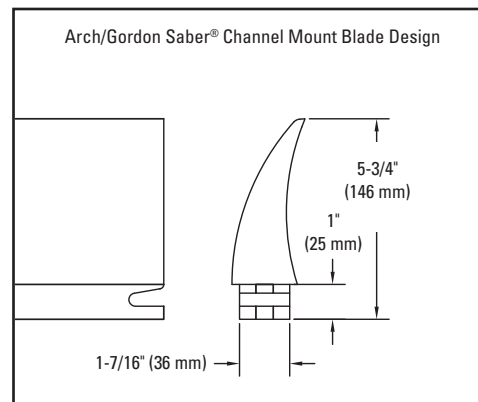
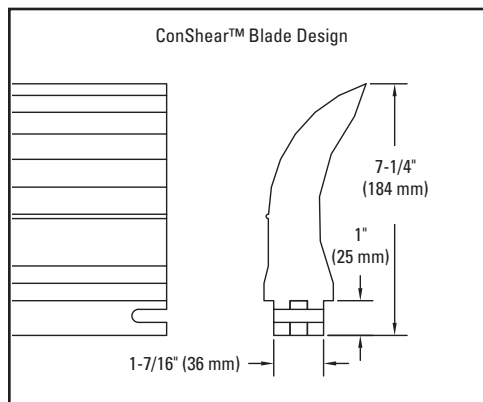
Arch/Gordon Saber® Channel Mount

Specifications

BASE WIDTH	CONShear™ BLADE HEIGHT	CHANNEL MOUNT BLADE HEIGHT
1-7/16" (36mm)	7-1/4" (184mm)	5-3/4" (146mm)

Usable Blade Volume Comparison

BLADE TYPE	BLADE LENGTH	USABLE BLADE AREA (cross-section)	USABLE BLADE VOLUME
Arch/Gordon Saber® Channel Mount	28" (711mm)	3.06in ² (19cm ²)	85.7in ³ (1404cm ³)
ConShear™	28" (711mm)	5.50in ² (35cm ²)	154.0in ³ (2523cm ³)



Saber® is a registered trademark of Arch Environmental Equipment Inc., Paducah, KY.

Part Number Cross-Reference Guide

Superior Exterra®
Replacement Blades

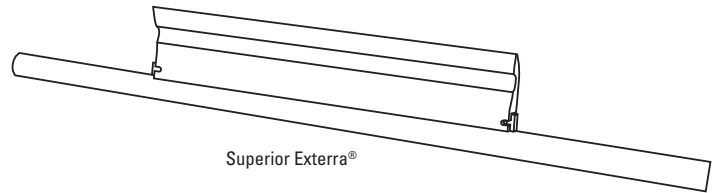
Ordering Information

BELT WIDTH		ACTUAL BLADE LENGTH		SUPERIOR EXTERRA® PART NUMBER	ORDERING NUMBER	CON SHEAR™ ITEM CODE	WT. LBS.
in.	mm	in.	mm				
12	300	10	250	07-00540	RBSE-10	79861	4.6
18	450	16	400	07-00541	RBSE-16	79862	7.3
24	600	22	550	07-00542	RBSE-22	79863	10.1
30	750	28	700	07-00543	RBSE-28	79864	12.8
36	900	34	850	07-00544	RBSE-34	79865	15.5
42	1050	40	1000	07-00545	RBSE-40	79866	18.3
48	1200	46	1150	07-00546	RBSE-46	79867	21.0
54	1350	52	1300	07-00547	RBSE-52	79868	23.8
60	1500	58	1450	07-00549	RBSE-58	79869	26.5
66	1650	64	1600	07-00548	RBSE-64	79870	29.3
72	1800	70	1750	07-00550	RBSE-70	79871	32.0

Additional blade sizes are available upon request. Call for pricing.

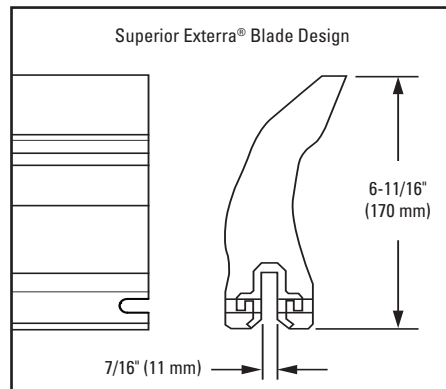
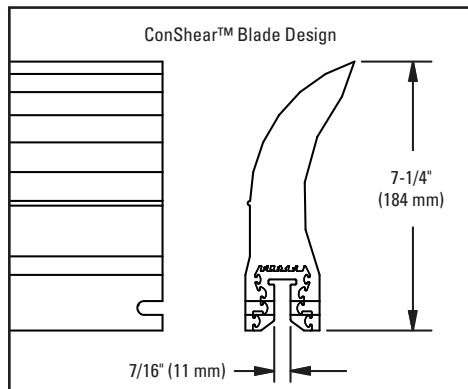
NOTE: Blade coverage is 2" (50 mm) less than belt width.

Lead time: 3 working days



Specifications

SLOT WIDTH	POLE PLATE THICKNESS	CON SHEAR™ BLADE HEIGHT	EXTERRA® BLADE HEIGHT
7/16" (11mm)	3/8" (9.5mm)	7-1/4" (184mm)	6-11/16" (170mm)



Exterra® is a registered trademark of Superior Industries, Inc. Morris, MN

Part Number Cross-Reference Guide

ASGCO® Skalper® Replacement Blades III and IV*

Ordering Information

BELT WIDTH		ACTUAL BLADE LENGTH		ASGCO® PART NUMBER	ORDERING NUMBER	CON SHEAR™ ITEM CODE	WT. LBS.
in.	mm	in.	mm				
18	450	18	450	ASG-SK4-18A	RBAS4-18	76032	8.3
24	600	24	600	ASG-SK4-24A	RBAS4-24	76033	11.0
30	750	30	750	ASG-SK4-30A	RBAS4-30	76034	13.8
36	900	36	900	ASG-SK4-36A	RBAS4-36	76035	16.6
42	1050	42	1050	ASG-SK4-42A	RBAS4-42	76036	19.3
48	1200	48	1200	ASG-SK4-48A	RBAS4-48	76037	22.1
54	1350	54	1350	ASG-SK4-54A	RBAS4-54	76038	24.8
60	1500	60	1500	ASG-SK4-60A	RBAS4-60	76039	27.6
72	1800	72	1800	ASG-SK4-72A	RBAS4-72	76040	33.1

Additional blade sizes are available upon request. Call for pricing.

NOTE: Blade coverage is the same as the belt width.

Blade design is identical to Argonics replacement blade, except for length. Can be interchanged.

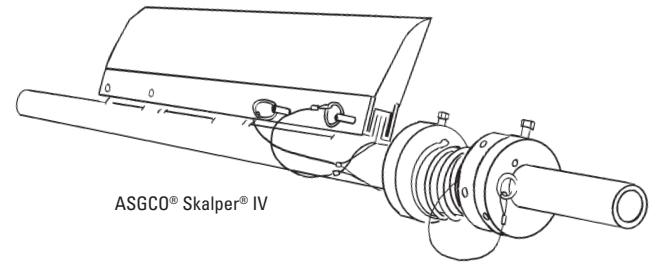
*Also interchangeable with ASGCO® Skalper® III Blades.

Lead time: 1 working day

Replacement Blade Pin

ORDERING NUMBER	ITEM CODE	WT. LBS.
RB38BP	79481	0.2

Lead time: 1 working day



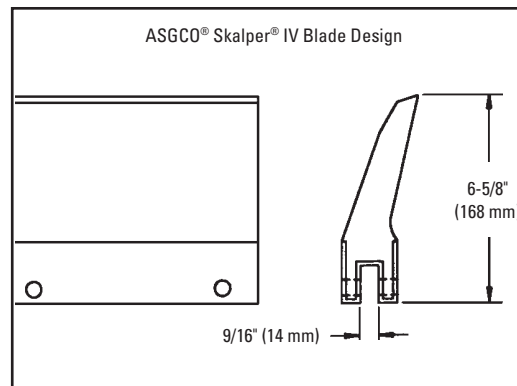
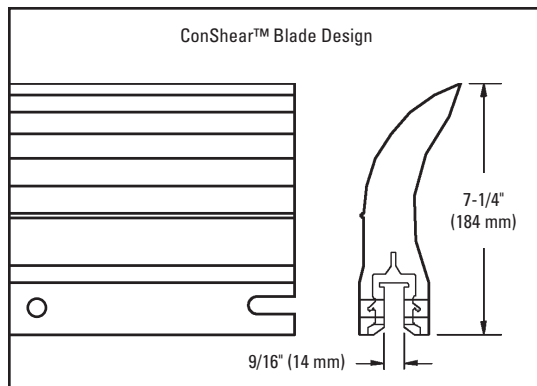
ASGCO® Skalper® IV

Specifications

SLOT WIDTH	POLE PLATE THICKNESS	CON SHEAR™ BLADE HEIGHT	SKALPER® BLADE HEIGHT
9/16" (14mm)	1/2" (12.5mm)	7-1/4" (184mm)	6-5/8" (168mm)

Usable Blade Volume Comparison

BLADE TYPE	BLADE LENGTH	USABLE BLADE AREA (cross-section)	USABLE BLADE VOLUME
ASGCO® Skalper® IV	28" (711mm)	3.29in ² (21cm ²)	92.1in ³ (1509cm ³)
ConShear™	28" (711mm)	5.50in ² (35cm ²)	154.0in ³ (2523cm ³)



ASGCO® and Skalper® are registered trademarks of ASGCO Mfg, Inc., Allentown, PA.

Part Number Cross-Reference Guide

Argonics™ Raptor™ Replacement Blades

Ordering Information

BELT WIDTH		ACTUAL BLADE LENGTH		ARGONICS™ PART NUMBER	ORDERING NUMBER	CONShear™ ITEM CODE	WT. LBS.
in.	mm	in.	mm				
12	300	10	250	CP-RE-10-G83	RBAER-10	76041	4.6
18	450	16	400	CP-RE-16-G83	RBAER-16	76042	7.3
24	600	22	550	CP-RE-22-G83	RBAER-22	76043	10.1
30	750	28	700	CP-RE-28-G83	RBAER-28	76044	12.8
36	900	34	850	CP-RE-34-G83	RBAER-34	76045	15.5
42	1050	40	1000	CP-RE-40-G83	RBAER-40	76046	18.3
46	1150	44	1100	CP-RE-44-G83	RBAER-44	76655	20.1
48	1200	46	1150	CP-RE-46-G83	RBAER-46	76047	21.0
54	1350	52	1300	CP-RE-52-G83	RBAER-52	76048	23.8
60	1500	58	1450	CP-RE-58-G83	RBAER-58	76049	26.5
72	1800	70	1750	CP-RE-70-G83	RBAER-70	76050	32.0

Additional blade sizes are available upon request. Call for pricing.

NOTE: Blade coverage is 2" (50 mm) less than the belt width.

Blade design is identical to ASGCO replacement blade, except for length. Can be interchanged.

Lead time: 1 working day

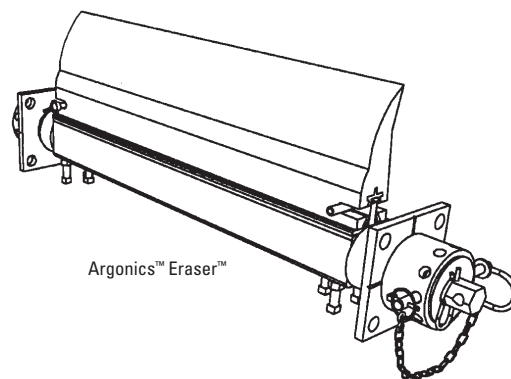
Replacement Blade Pin

ORDERING NUMBER	ITEM CODE	WT. LBS.
RB38BP	79481	0.2

Lead time: 1 working day

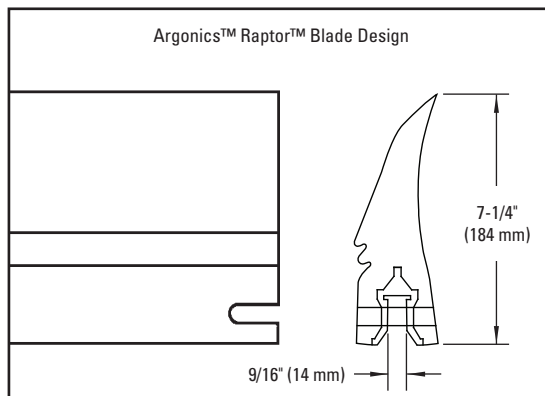
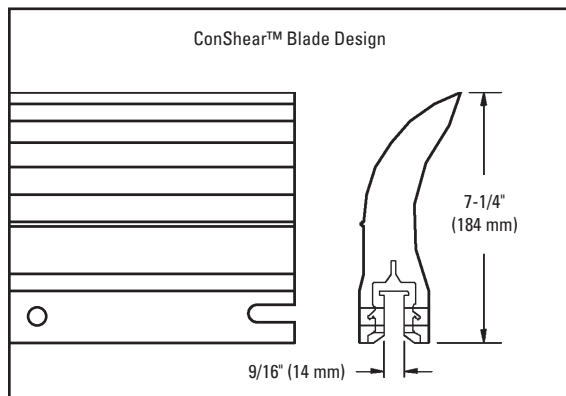
Specifications

SLOT WIDTH	POLE PLATE THICKNESS	CONShear™ BLADE HEIGHT	RAPTOR™ BLADE HEIGHT
9/16" (14mm)	1/2" (12.5mm)	7-1/4" (184mm)	7-1/4" (184mm)



Usable Blade Volume Comparison

BLADE TYPE	BLADE LENGTH	USABLE BLADE AREA (cross-section)	USABLE BLADE VOLUME
Argonics™ Raptor™	28" (711mm)	4.25in ² (27cm ²)	119.0in ³ (1950cm ³)
ConShear™	28" (711mm)	5.50in ² (35cm ²)	154.0in ³ (2523cm ³)



Eraser™ and Raptor™ are registered trademarks of Argonics, Inc., Marquette, MI.

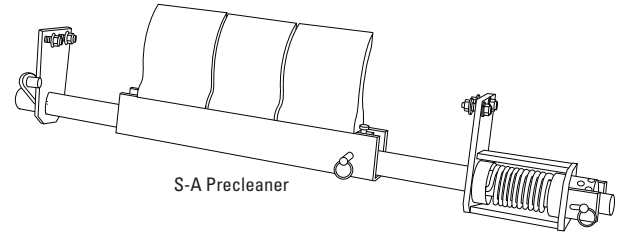
Part Number Cross-Reference Guide

Stephens-Adamson Metso/Trellex Replacement Blades

Ordering Information

ACTUAL BLADE LENGTH		S-A PART NUMBER	ORDERING NUMBER	CONShear™ ITEM CODE	WT. LBS.
in.	mm				
6	150	ABC90	RB6SA	76570	3.1

Blades fit into cartridge that mounts on the pole.
Lead time: 1 working day



Cleaner Blades Required Per Belt Width

in.	18	24	30	36	42	48	54	60	72
mm	450	600	750	900	1050	1200	1350	1500	1800
No. Blades Required	2	3	4	5	6	7	8	9	11

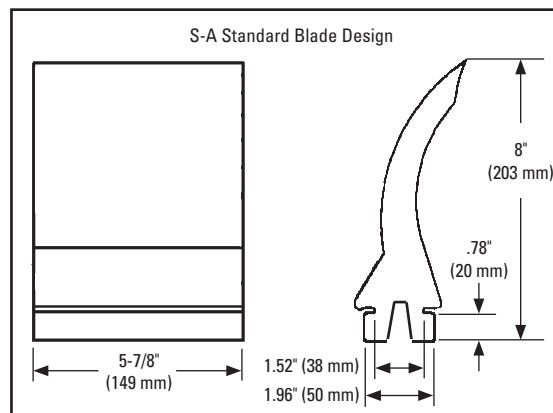
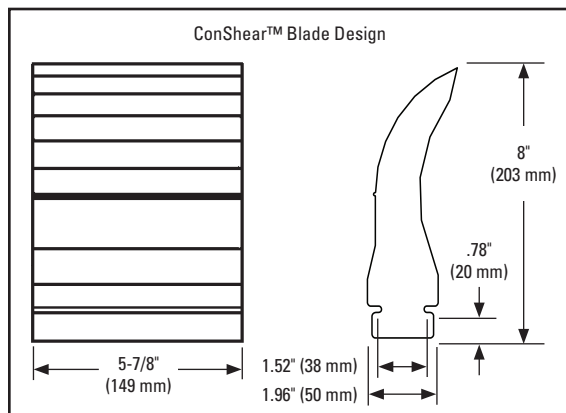
NOTE: Blade coverage is 6" (150 mm) less than the belt width.

Specifications

BASE WIDTH	BASE HEIGHT	CONShear™ BLADE HEIGHT	S-A BLADE HEIGHT
1.96" (50mm)	.78" (20mm)	8" (203mm)	8" (203mm)

Usable Blade Volume Comparison

BLADE TYPE	BLADE LENGTH	USABLE BLADE AREA (cross-section)	USABLE BLADE VOLUME
S-A Metso/Trellex	6" (152mm)	3.88in ² (25cm ²)	22.8in ³ (373cm ³)
ConShear™	6" (152mm)	5.50in ² (35cm ²)	33.0in ³ (540cm ³)



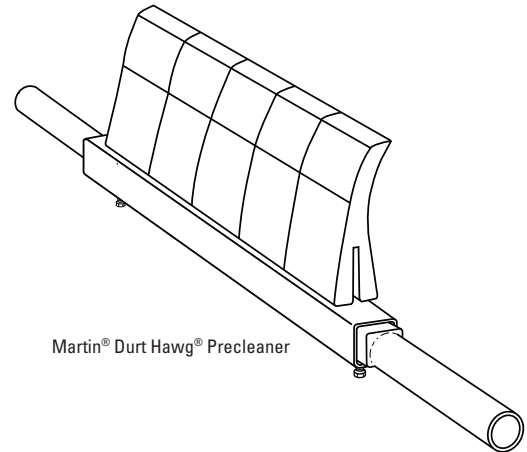
Part Number Cross-Reference Guide

Martin® Durt Hawg® Replacement Precleaner Blades

Ordering Information

ACTUAL BLADE LENGTH		MARTIN® PART NUMBER	ORDERING NUMBER	CONSHEAR™ ITEM CODE	WT. LBS.
in.	mm				
6	150	27987-C	RB6DH	76571	3.3

Lead time: 1 working day



Martin® Durt Hawg® Precleaner

Cleaner Blades Required Per Belt Width

in.	18	24	30	36	42	48	54	60	72
mm	450	600	750	900	1050	1200	1350	1500	1800
No. Blades Required	2	3	4	5	6	7	8	9	11

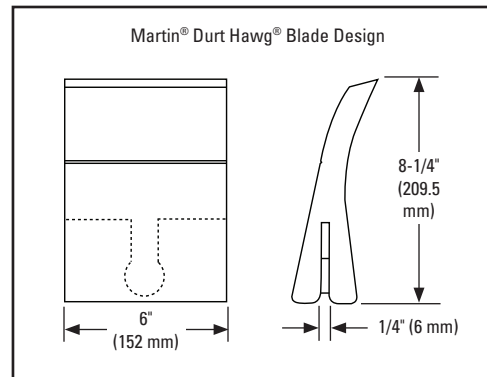
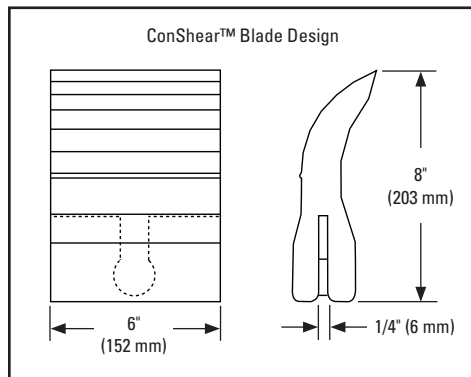
NOTE: Blade coverage is 6" (150 mm) less than the belt width.

Specifications

SLOT WIDTH	CONSHEAR™ BLADE HEIGHT	DURT HAWG® BLADE HEIGHT
1/4" (6mm)	8" (203mm)	8-1/4" (209.5mm)

Usable Blade Volume Comparison

BLADE TYPE	BLADE LENGTH	USABLE BLADE AREA (cross-section)	USABLE BLADE VOLUME
Martin® Durt Hawg®	6" (152mm)	3.80in ² (24.5cm ²)	22.2in ³ (363cm ³)
ConShear™	6" (152mm)	5.50in ² (35cm ²)	33.0in ³ (540cm ³)



Martin® and Durt Hawg® are registered trademarks of Martin Engineering, Neponset, IL.

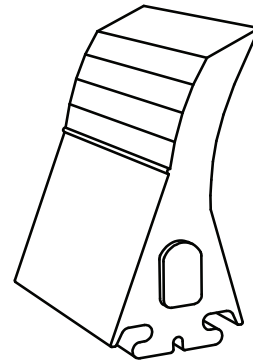
Part Number Cross-Reference Guide

Martin® Durt Tracker® Replacement Precleaner Blades SD 6

Ordering Information

ACTUAL BLADE LENGTH		MARTIN® PART NUMBER	ORDERING NUMBER	ITEM CODE	WT. LBS.
in.	mm				
6	150	30333-06XX	RBDT-6C	90614	3.2

Lead time: 1 working day



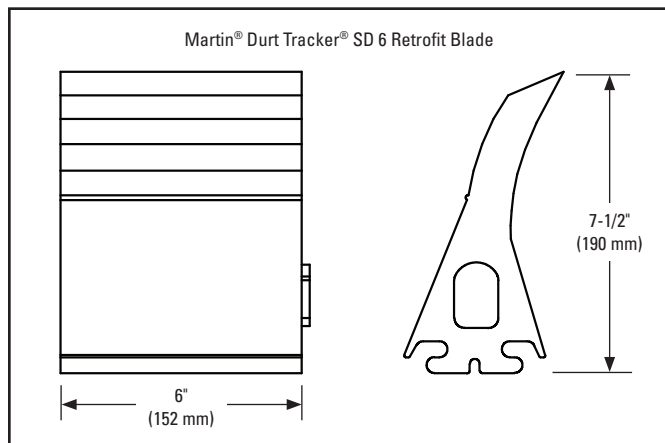
Martin® Durt Tracker®
Replacement Blade

Specifications

BLADE TYPE	BLADE WIDTH	BLADE HEIGHT
SD 6	6" (152mm)	7-1/2" (190mm)

Usable Blade Volume

BLADE TYPE	BLADE LENGTH	USABLE BLADE AREA (cross-section)	USABLE BLADE VOLUME
Martin® Durt Hawg® SD 6 Retrofit Blade	6" (152mm)	3.7in ² (45cm ²)	22.3in ³ (365cm ³)



Martin® and Durt Tracker® are registered trademarks of Martin Engineering, Neponset, IL.

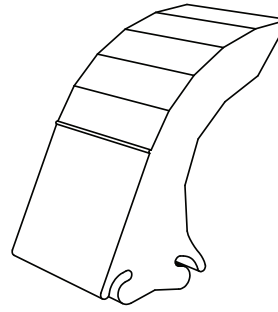
Part Number Cross-Reference Guide

Martin® Durt Tracker® XHD Replacement Precleaner Blades XHD 6.5 & XHD 13

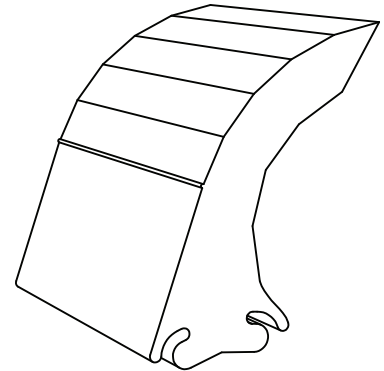
Ordering Information

BLADE WIDTH		ORDERING NUMBER	ITEM CODE	WT. LBS.
in.	mm			
6	150	RBDTXHD-6.5C	77517	6.5
13	330	RBDTXHD-13C	90615	13.1

Lead time: 1 working day



Martin® Durt Tracker® XHD 6.5
Replacement Blade



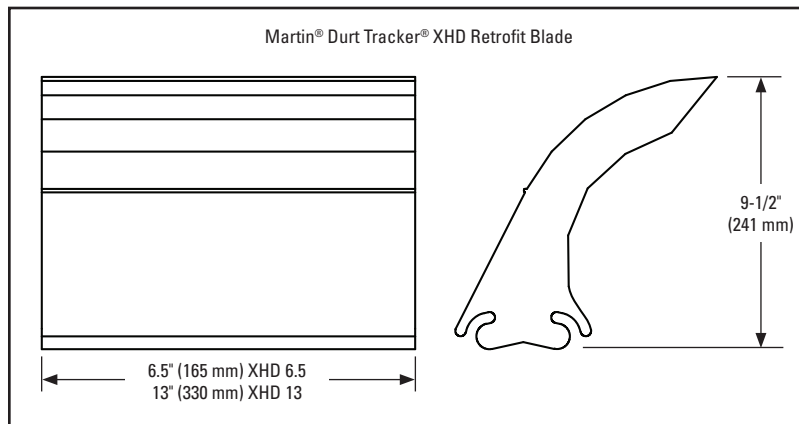
Martin® Durt Tracker® XHD 13
Replacement Blade

Specifications

BLADE TYPE	BLADE WIDTH	BLADE HEIGHT
XHD 6.5	6.5" (165mm)	9-1/2" (241mm)
XHD 13	13" (330mm)	

Usable Blade Volume Comparison

BLADE TYPE	BLADE WIDTH	USABLE BLADE AREA (cross-section)	USABLE BLADE VOLUME
Martin® Durt Hawg® XHD 6.5 Retrofit Blade	6.5" (165mm)	12.1in ² (78cm ²)	78in ³ (1278cm ³)
Martin® Durt Hawg® XHD 13 Retrofit Blade	13" (330mm)		156in ³ (2556cm ³)



Martin® and Durt Tracker® are registered trademarks of Martin Engineering, Neponset, IL.

Product Ordering Information

V-Plow*

SIZE	BELT WIDTH		ORDERING NUMBER	ITEM CODE	WT. LBS.
	in.	mm			
Extra Small	18-24	450-600	CBV-XS	73131	53.0
Small	30-36	750-900	CBV-S	73132	65.0
Medium	42-48	1050-1200	CBV-M	73133	74.0
Large	54-60	1350-1500	CBV-L	73134	84.0
72"	72	1800	CBV-72	74389	150.0
84"	84	2100	CBV-84	74390	175.0
96"	96	2400	CBV-96	74391	200.0

*Use next larger size for belt widths between ranges.

Lead time: 1 working day

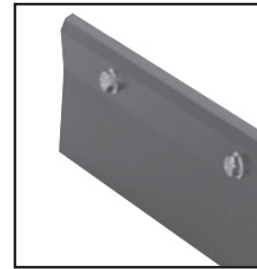


Replacement Blade Kits**

SIZE	BELT WIDTH		ORDERING NUMBER	ITEM CODE	WT. LBS.
	in.	mm			
Extra Small	18-24	450-600	VBK-XS	73190	4.5
Small	30-36	750-900	VBK-S	73191	6.0
Medium	42-48	1050-1200	VBK-M	73192	7.5
Large	54-60	1350-1500	VBK-L	73193	9.0
72"	72	1800	VBK-72	74457	13.0
84"	84	2100	VBK-84	74458	15.0
96"	96	2400	VBK-96	74459	17.0

**Kit includes blades and replacement blade bolts.

Lead time: 1 working day



Optional Polyurethane Blade Kits**

SIZE	BELT WIDTH		ORDERING NUMBER	ITEM CODE	WT. LBS.
	in.	mm			
Extra Small	18-24	450-600	VUBK-XS	75570	5.4
Small	30-36	750-900	VUBK-S	75571	8.0
Medium	42-48	1050-1200	VUBK-M	75572	10.5
Large	54-60	1350-1500	VUBK-L	75573	13.0
72"	72	1800	VUBK-72	75574	15.9
84"	84	2100	VUBK-84	75575	18.5
96"	96	2400	VUBK-96	75576	21.0

Typically provides 3 to 5 times longer wear life. PU blades are blue in color.

**Kit includes blades and replacement blade bolts.

Lead time: 1 working day

Shaded items are made to order.
Lead time: 10 working days

Product Notes:

- Exclusive blade design – 20° slant on leading edge spirals debris off the belt.
- Self-adjusting blade – the blade floats on the belt and self-adjusts as it wears.
- Unique blade adjuster – turnbuckle-type adjuster allows the blade to be accurately positioned to the belt.
- Easy to install – comes fully assembled and can be placed right into position on the conveyor.

Product Ordering Information

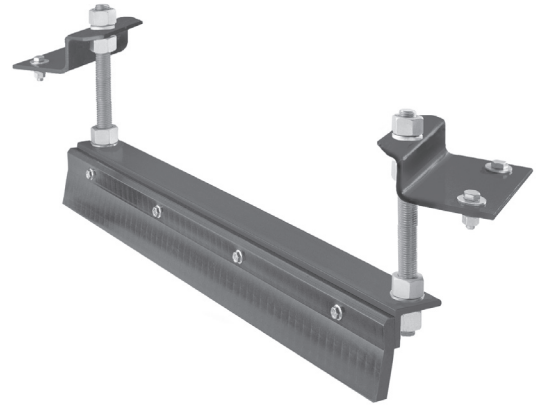
RDP1 Diagonal Plow

Diagonal Plows*

SIZE	BELT WIDTH		ORDERING NUMBER	ITEM CODE	WT. LBS.
	in.	mm			
Small	18-30	450-750	RDP1-S	74692	45.0
Medium	36-42	900-1050	RDP1-M	74693	56.0
Large	48-60	1200-1500	RDP1-L	74694	70.0
Extra Large	72-84	1800-2100	RDP1-XL	74695	96.0

*Use next larger size for belt widths between ranges.

Lead time: 1 working day

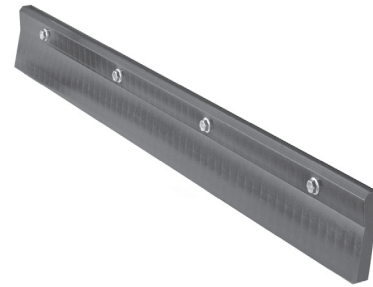


Replacement Blade Kits**

SIZE	BELT WIDTH		ORDERING NUMBER	ITEM CODE	WT. LBS.
	in.	mm			
Small	18-30	450-750	RDPBK-S	74699	4.0
Medium	36-42	900-1050	RDPBK-M	74700	5.6
Large	48-60	1200-1500	RDPBK-L	74701	8.4
Extra Large	72-84	1800-2100	RDPBK-XL	74702	12.0

**Kit includes blade and replacement blade bolts.

Lead time: 1 working day



Product Notes:

- A belt cleaner for the tail pulley. Prevents damage to the belt, pulley, lagging, and belt splice.
- Keeps fugitive materials off the inside of the belt and out of the tail pulley.
- Installed at a 45° angle across the belt to discharge material to one predetermined side.
- The blade is installed in a fixed position, eliminating any bouncing problems.
- Exclusive 20° angled blade quickly spirals material off the belt.

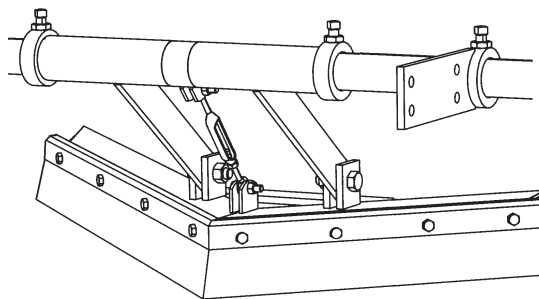
Specifications & Guidelines

V-Plow & RDP1 Diagonal Plow Belt Plows

V-Plow Belt Width Specifications

SIZE	BELT WIDTH (Min-Max)	
	in.	mm
Extra Small	18-24	450-600
Small	30-36	750-900
Medium	42-48	1050-1200
Large	54-60	1350-1500
72"	72	1800
84"	84	2100
96"	96	2400

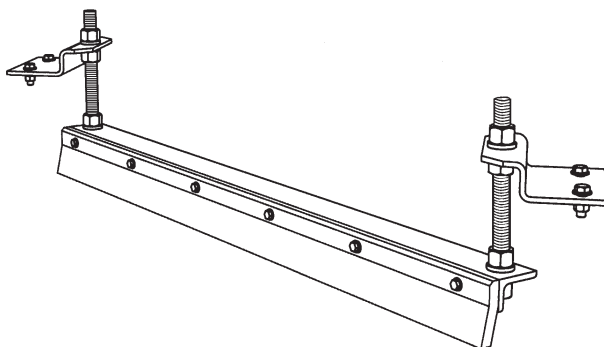
Use next larger size for belt widths between ranges.



Diagonal Plow Belt Width Specifications

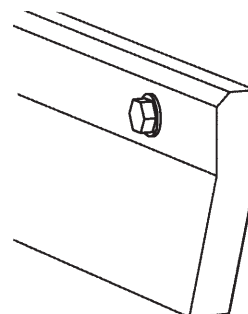
SIZE	BELT WIDTH (Min-Max)	
	in.	mm
Small	18-30	450-750
Medium	36-42	900-1050
Large	48-60	1200-1500
Extra Large	72-84	1800-2100

Use next larger size for belt widths between ranges.



V-Plow & Diagonal Plow Blade Specifications:

- Material.....UHMWPE
- Durometer.....67-D
- Working Temperature.....-40 to 160°F (-40 to 71°C)
- Grease & Chemical Resistance.....Excellent
- Sticky Material Performance.....Excellent



Application Guidelines:

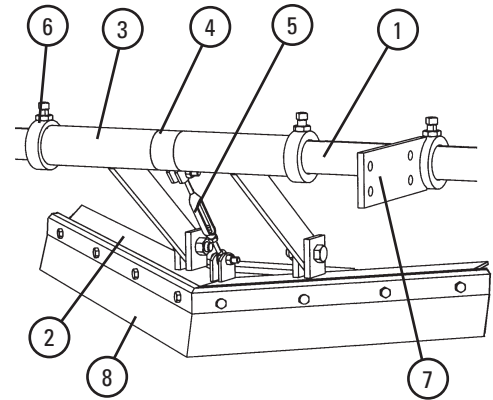
- Belt SpliceMechanically Fastened/Vulcanized
- Belt Speed.....1000 FPM (5 m/s) for V-Plow; 700 FPM (3.5 m/s) for Diagonal Plow
- Belt Direction.....One-Way

Replacement Parts Lists

V-Plow & RDP1 Diagonal Plow Belt Plows

Replacement Parts - V-Plow

REF	DESCRIPTION	BELT WIDTH (Min-Max)		ORDERING NUMBER	ITEM CODE	WT. LBS.
		in.	mm			
1	V-Plow Pole XS	18-24	450-600	VPXS	73400	13.0
	V-Plow Pole S	30-36	750-900	VPS	73408	15.0
	V-Plow Pole M	42-48	1050-1200	VPM	73409	18.0
	V-Plow Pole L	54-60	1350-1500	VPL	73410	21.0
	V-Plow Pole 72"	72	1800	VP72	74395	24.0
	V-Plow Pole 84"	84	2100	VP84	74396	27.0
	V-Plow Pole 96"	96	2400	VP96	74397	30.0
2	V-Plow Mainframe XS	18-24	450-600	VMFXS	73535	12.0
	V-Plow Mainframe S	30-36	750-900	VMFS	73549	15.0
	V-Plow Mainframe M	42-48	1050-1200	VMFM	74037	22.0
	V-Plow Mainframe L	54-60	1350-1500	VMFL	74038	28.0
	V-Plow Mainframe 72"	72	1800	VMF72	74398	35.0
	V-Plow Mainframe 84"	84	2100	VMF84	74399	42.0
	V-Plow Mainframe 96"	96	2400	VMF96	74440	50.0
3	VP Main Linkage Kit* (1 ea.)			VMLK	74982	5.0
4	VP Center Sleeve			VCS	73533	1.0
5	V-Plow Adjuster Kit*			VAK	76416	0.5
6	VP Stop Collar* (1 ea.)			VSC	74983	1.0
7	VP Mounting Bracket Kit* (1 ea.)			VMBK	73399	5.0



Replacement Blade Kits**

8	Replacement Blade Kit XS	18-24	450-600	VBK-XS	73190	4.5
	Replacement Blade Kit S	30-36	750-900	VBK-S	73191	6.0
	Replacement Blade Kit M	42-48	1050-1200	VBK-M	73192	7.5
	Replacement Blade Kit L	54-60	1350-1500	VBK-L	73193	9.0
	Replacement Blade Kit 72"	72	1800	VBK-72	74457	13.0
	Replacement Blade Kit 84"	84	2100	VBK-84	74458	15.0
	Replacement Blade Kit 96"	96	2400	VBK-96	74459	17.0

*Hardware included

**Kit includes blades and replacement blade bolts.

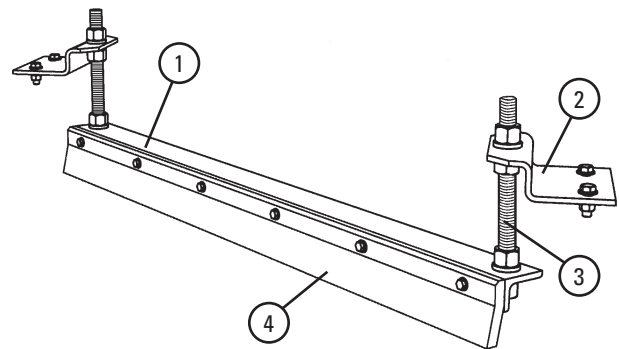
Lead time: 1 working day

Shaded items are made to order.

Lead time: 10 working days

Replacement Parts - Diagonal Plow

REF	DESCRIPTION	BELT WIDTH (Min-Max)		ORDERING NUMBER	ITEM CODE	WT. LBS.
		in.	mm			
1	Small Plow Frame	18-30	450-750	RDPF-S	75566	18.1
	Medium Plow Frame	36-42	900-1050	RDPF-M	75567	26.3
	Large Plow Frame	48-60	1200-1500	RDPF-L	75568	38.4
	Extra Large Plow Frame	72-84	1800-2100	RDPF-XL	75569	60.7
2	Mounting Bracket Kit* (1 ea.)			RDPMBK	74698	6.1
3	Mounting Shaft Kit* (1 ea.)			RDPMSK	74705	3.6



Replacement Blade Kits**

4	Small Plow Blade Kit	18-30	450-750	RDPBK-S	74699	4.0
	Medium Plow Blade Kit	36-42	900-1050	RDPBK-M	74700	5.6
	Large Plow Blade Kit	48-60	1200-1500	RDPBK-L	74701	8.4
	Extra Large Plow Blade Kit	72-84	1800-2100	RDPBK-XL	74702	12.0

*Hardware included

**Kit includes blades and replacement blade bolts.

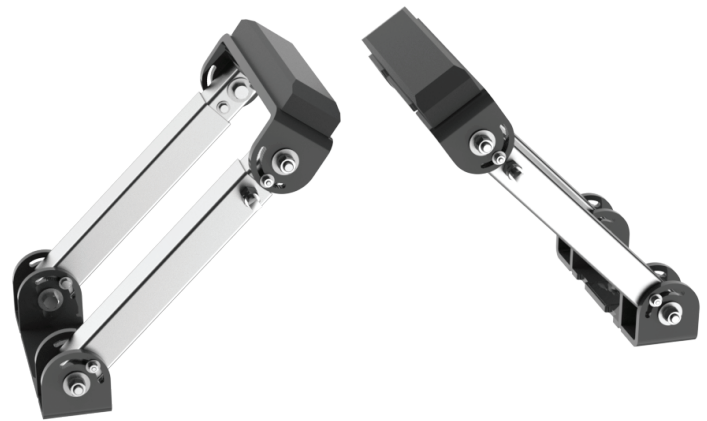
Lead time: 1 working day

Product Ordering Information

Belt Support Bar Belt Support Systems

Belt Support Bar

SIZE	ORDERING NUMBER	ITEM CODE	WT. LBS.
1	BSB-1	112918	50.1
2	BSB-2	112919	52.4
3	BSB-3	112920	53.6
4	BSB-4	112921	61.3
5	BSB-5	112922	67.2
6	BSB-6	112923	83.5



ADJUSTMENT RANGE				
SIZE	MIN. DISTANCE		MAX. DISTANCE	
	in.	mm	in.	mm
1	11-3/4	298	14-3/4	375
2	13-3/16	335	17-1/2	445
3	14-1/8	359	19-1/2	495
4	15-15/16	405	23-1/4	591
5	19-9/16	497	30-1/2	775
6	23-13/16	605	38-1/2	978

Refer to the charts for correct size.

NOTE: Based on standard width CEMA troughing idler.

NOTE: For Class B or Class F, please contact Flexco.

CEMA Class C

BELT WIDTH		TROUGH ANGLE		
in.	mm	20°	35°	45°
18	450	SIZE 1*	SIZE 1*	SIZE 1*
24	600	SIZE 1	SIZE 1	SIZE 1
30	750	SIZE 1	SIZE 1	SIZE 2
36	900	SIZE 2	SIZE 2	SIZE 3
42	1050	SIZE 3	SIZE 3	SIZE 4
48	1200	SIZE 3	SIZE 4	SIZE 4
54	1350	SIZE 4	SIZE 4	SIZE 4
60	1500	SIZE 4	SIZE 4	SIZE 5

CEMA Class D

BELT WIDTH		TROUGH ANGLE		
in.	mm	20°	35°	45°
24	600	SIZE 1	SIZE 1	SIZE 1
30	750	SIZE 1	SIZE 2	SIZE 2
36	900	SIZE 2	SIZE 2	SIZE 3
42	1050	SIZE 3	SIZE 3	SIZE 4
48	1200	SIZE 3	SIZE 4	SIZE 4
54	1350	SIZE 4	SIZE 4	SIZE 4
60	1500	SIZE 4	SIZE 4	SIZE 5
72	1800	SIZE 5	SIZE 5	SIZE 6

CEMA Class E

BELT WIDTH		TROUGH ANGLE		
in.	mm	20°	35°	45°
36	900	SIZE 2	SIZE 3	SIZE 3
42	1050	SIZE 3	SIZE 4	SIZE 4
48	1200	SIZE 4	SIZE 4	SIZE 4
54	1350	SIZE 4	SIZE 4	SIZE 4
60	1500	SIZE 5	SIZE 5	SIZE 5
72	1800	SIZE 5	SIZE 5	SIZE 6
84	2100	SIZE 6	SIZE 6	SIZE 6
96	2400	SIZE 6	SIZE 6	SIZE 6

*Mount on the vertical face of the stringer.

Replacement Parts

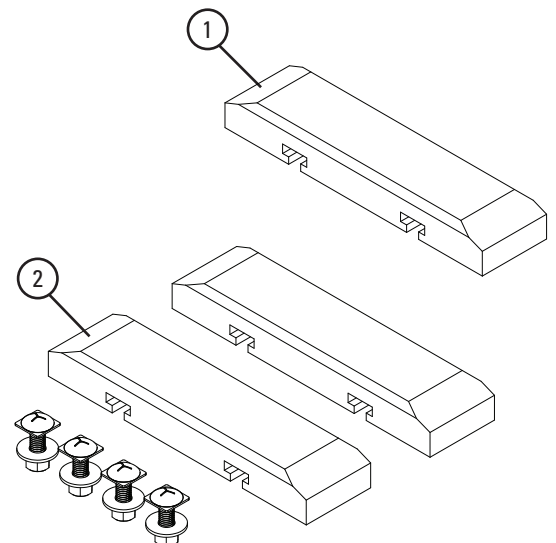
REF	DESCRIPTION	ORDERING NUMBER	ITEM CODE	WT. LBS.
1	Bar Replacement	BSB-BR	112960	1.7
2	Bar Replacement Kit	BSB-BRK	112956	2.0

Specifications:

- Maximum Belt Speed1000 FPM (5 m/s)
- Temperature Rating-20 to 180°F (-28 to 82°C)
- Horizontal Clearance Required.....16 to 30" (406 to 750 mm)
- Available for Belt Widths18 to 96" (450 to 2400 mm)

Product Notes:

- Intended to be located near load zone, skirting and idlers. Not intended for impact area.



Specifications & Guidelines

Flexco Slider/Impact Beds

Easy Solution for Load Zone Problems

- Complete load zone offering with slider beds through impact beds for up to 750 ft-lbs of force.
- No specifying trough angle; each bed is adjustable for 20°, 35° and 45° trough settings (ships at 35° setting).
- Low-profile installation. Because EZ Series beds feature trough wings that are adjustable, they lay flat during installation, providing more clearance.
- Full UHMW slider bars included on outside bar to provide proper sealing and long life.
- Unique Impact Bar Supports protect the impact bars from damage, extending service life. An Anti-Migratory Tab on each support secures the bar and prevents it from sliding in the direction of belt travel.
- All beds are manufactured for mounting holes belt width +9" (225 mm), per CEMA. For wider structure, contact Customer Service for special quote.

How to spec the correct slider/impact bed for your conveyor transfer point

Roller Size and CEMA Rating

5" (125 mm) 6" (150 mm)

CEMA C D E

Belt Width: _____

Bed Length: 4' (1.2 m) 5' (1.5 m)

Impact Energy Calculation Chart

Drop Height (h)

Largest Material Lump Weight (w)

Impact Energy

Lump Weight (w) _____

Drop Height (h) x _____

Total = **lb-ft** See Below

0 lb-ft— **EZSB-C**

0 - 200 lb-ft— **EZSB-I or EZIB-L**
(25kg-m)

200 - 750 lb-ft— **EZIB-M**
(25-100 kg-m)

Product Ordering Information

EZSB-C Flexco Slider Beds

4' (1.2 m) Length

BELT WIDTH		TONNAGE RATING (ton/hr)	ORDERING NUMBER	ITEM CODE	WT. LBS
in.	mm				
24	600	–	EZSB24-4C	78855	244.1
30	750	–	EZSB30-4C	78856	263.2
36	900	–	EZSB36-4C	78857	289.0
42	1050	–	EZSB42-4C	78858	358.8
48	1200	–	EZSB48-4C	78859	385.7
54	1350	–	EZSB54-4C	78860	455.1
60	1500	–	EZSB60-4C	78861	478.7
72	1800	–	EZSB72-4C	78862	513.0

For non-impact areas.

Lead time: 1 working day



5' (1.5 m) Length

BELT WIDTH		TONNAGE RATING (ton/hr)	ORDERING NUMBER	ITEM CODE	WT. LBS
in.	mm				
24	600	–	EZSB24-5C	78863	261.1
30	750	–	EZSB30-5C	78864	279.7
36	900	–	EZSB36-5C	78865	305.5
42	1050	–	EZSB42-5C	78866	382.9
48	1200	–	EZSB48-5C	78867	410.4
54	1350	–	EZSB54-5C	78868	488.0
60	1500	–	EZSB60-5C	78869	511.6
72	1800	–	EZSB72-5C	78870	545.9

For non-impact areas.

Lead time: 1 working day

Product Notes:

- CEMA D construction
- No need to specify troughing angle – designed to adjust to 20°, 35°, 45°.
- Designed for containment in the load zone, but not intended for impact zones.
- Slider bars are solid 1" (25 mm) UHMW providing longer wear life and consistent load zone sealing.
- Product ships with two rollers. Additional rollers can be added by purchasing an EZRMK and the appropriate corresponding roller.

Adjustable Idler Set

BELT WIDTH		ORDERING NUMBER	ITEM CODE	WT. LBS
in.	mm			
24	600	EZAI-24	79000	79.9
30	750	EZAI-30	79001	90.0
36	900	EZAI-36	79002	100.7
42	1050	EZAI-42	79003	110.0
48	1200	EZAI-48	79004	123.3
54	1350	EZAI-54	79005	132.5
60	1500	EZAI-60	79006	141.3
72	1800	EZAI-72	79007	163.6

For non-impact areas.

For placement in between 3 or more beds or in transitions;

Adjusts from 10–45° in 5° increments.

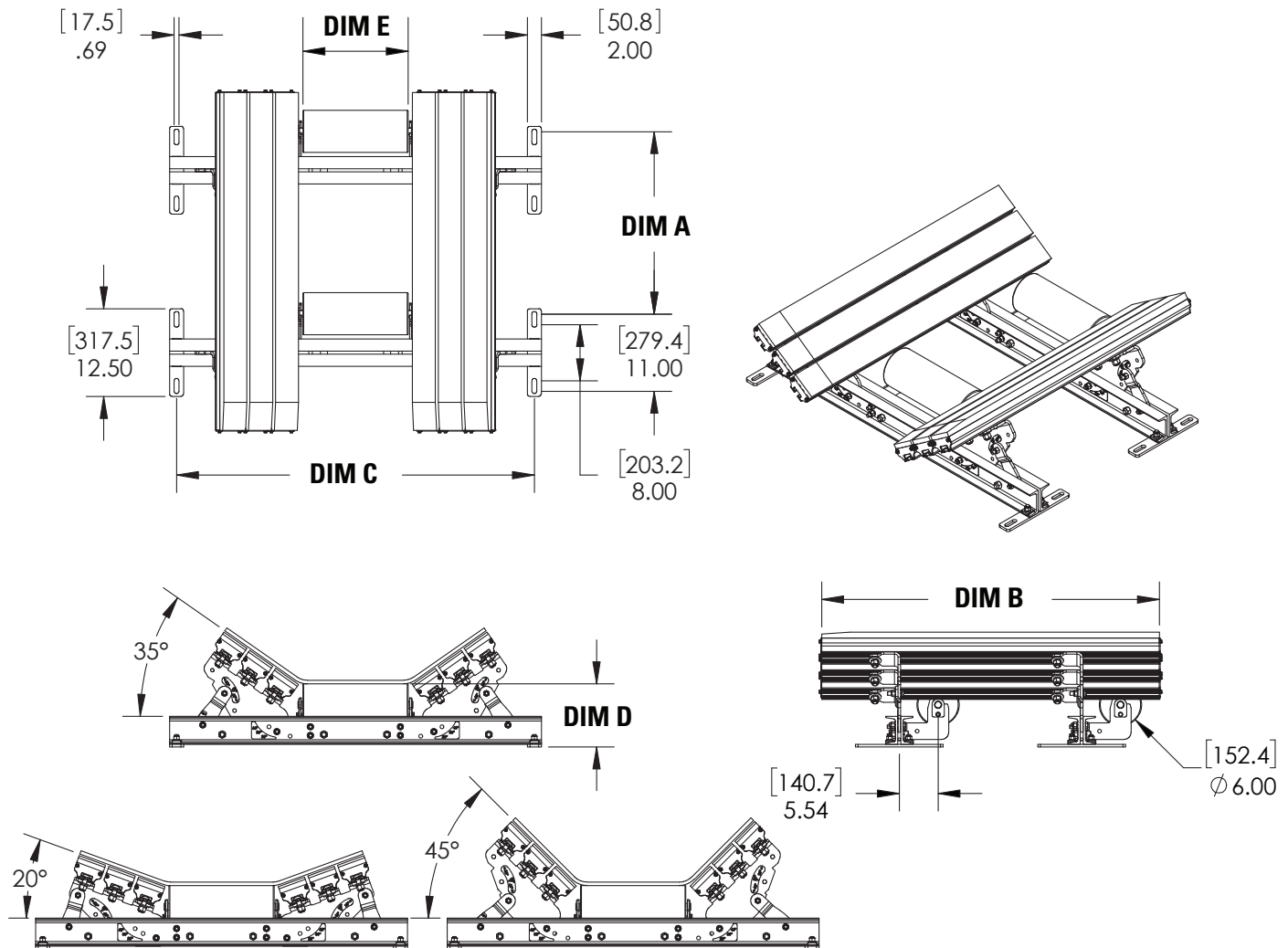
SHIM-KIT-EZAI 91857 - includes two 1/4" (6 mm) and two 1/2" (12.5 mm) shims.

Lead time: 1 working day



Specifications and Guidelines

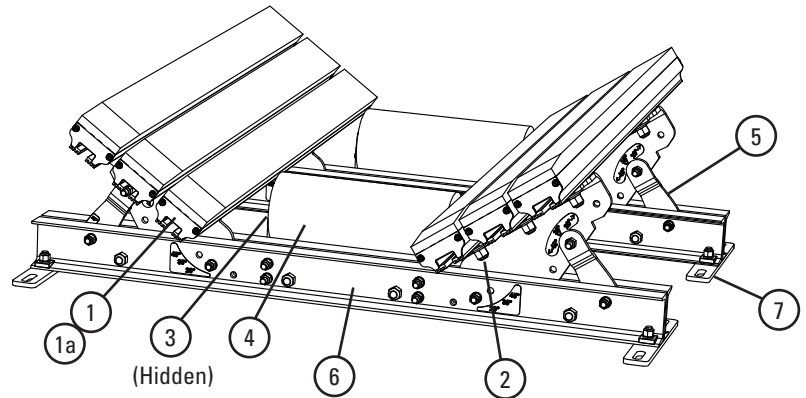
EZSB-C Flexco Slider Beds



Bed Length 4' (1.2 m)				Bed Length 5' (1.5 m)				Bed Width		Dim C		Dim D		Dim E	
Dim A		Dim B		Dim A		Dim B									
in.	mm	in.	mm	in.	mm	in.	mm	in.	mm	in.	mm	in.	mm	in.	mm
26	660.4	48.82	1240	34	863.6	59.06	1500	24	600	33	838	9	229	9	229
								30	750	39	991	9	229	11	279
								36	900	45	1143	9	229	13	330
								42	1050	51	1295	9	229	15	381
								48	1200	57	1448	9	229	17	432
								54	1350	63	1600	9.25	235	19	483
								60	1500	69	1753	9.25	235	21	533
72	1800	81	2057	9.5	241	25	635								

Replacement Parts List

EZSB-C Flexco Slider Beds



Replacement Parts

REF	DESCRIPTION	ORDERING NUMBER	ITEM CODE	WT. LBS.
1	Slider Bar, 4' (1.2m)	SB4	78789	20.0
1a	Slider Bar, 5' (1.5m)	SB5	78790	24.1
2	Bar Bolt Kit (incl. 1 ea. 5/8" (15mm) carriage bolt, square washer, flat washer, lock washer, Nylock nut)	IBBK	76928	0.5
3	Slider Roll Mount Kit*	EZRMK	78952	5.1
4	24" (600mm) Roll	N6D3T-24-9-A45	26107	9.1
	30" (750mm) Roll	N6D3T-30-11-A45	26108	10.6
	36" (900mm) Roll	N6D3T-36-13-A45	26109	12.3
	42" (1050mm) Roll	N6D3T-42-15-A45	26110	13.9
	48" (1200mm) Roll	N6D3T-48-17-A45	26111	16.1
	54" (1350mm) Roll	N6D3T-54-19-A45	26112	17.0
	60" (1500mm) Roll	N6D3T-60-21-A45	26113	18.1
	72" (1800mm) Roll	N6D3T-72-25-A45	26114	21.6
5	24" (600mm) Wing Plate Kit*	EZWPK-24	78970	16.9
	30" (750mm) Wing Plate Kit*	EZWPK-30	78971	17.4
	36" (900mm) Wing Plate Kit*	EZWPK-36	78972	21.2
	42" (1050mm) Wing Plate Kit*	EZWPK-42	78973	26.2
	48" (1200mm) Wing Plate Kit*	EZWPK-48	78974	30.1
	54" (1350mm) Wing Plate Kit*	EZWPK-54	78975	35.6
	60" (1500mm) Wing Plate Kit*	EZWPK-60	78976	39.0
	72" (1800mm) Wing Plate Kit*	EZWPK-72	78977	46.7
6	24" (600mm) Cross Stringer Kit*	EZCSK-24	78978	49.2
	30" (750mm) Cross Stringer Kit*	EZCSK-30	78979	56.5
	36" (900mm) Cross Stringer Kit*	EZCSK-36	78980	63.8
	42" (1050mm) Cross Stringer Kit*	EZCSK-42	78981	70.8
	48" (1200mm) Cross Stringer Kit*	EZCSK-48	78982	78.5
	54" (1350mm) Cross Stringer Kit*	EZCSK-54	78983	85.8
	60" (1500mm) Cross Stringer Kit*	EZCSK-60	78984	93.1
	72" (1800mm) Cross Stringer Kit*	EZCSK-72	78985	99.1
7	Shim Kit Light Duty (incl. 4 shims)	SHIM-KITL	77548	13.6

*Hardware Included

Shim Requirements

IMPACT BED SIZE	CEMA C OR D 5" (125mm) IDLERS	CEMA C OR D 6" (150mm) IDLERS
24-36" (600-900mm)	Shim idler up .5" (12.5mm)	No Kits Required
42-72" (1050-1800mm)	No Kits Required	Use (1) SHIM-KITL; Shim up .5" (12.5mm)

IMPACT BED SIZE	CEMA E 6" (150mm) IDLERS	CEMA E 7" (175mm) IDLERS
36-60" (900-1500mm)	Use (3) SHIM-KITL; Shim up 1.5" (37.5mm)	Use (4) SHIM-KITL; Shim up 2" (50mm)
72" (1800mm)	Use (4) SHIM-KITL; Shim up 2" (50mm)	Use (5) SHIM-KITL; Shim up 2.5" (62.5mm)

Replacement Quantities for EZSB-C

in.		24	30	36	42	48	54	60	72
mm		600	750	900	1050	1200	1350	1500	1800
ROLLS REQUIRED		2	2	2	2	2	2	2	2
BARS REQUIRED	SLIDER	4	4	4	6	6	8	8	8
BAR BOLT KITS REQUIRED		8	8	8	12	12	16	16	16

Product Ordering Information

EZSB-I Flexco Slider Beds with Impact Rolls

4' (1.2 m) Length

BELT WIDTH		TONNAGE RATING (ton/hr)	ORDERING NUMBER	ITEM CODE	WT. LBS
in.	mm				
24	600	3,500	EZSB24-4I	78871	277.0
30	750	3,500	EZSB30-4I	78872	300.0
36	900	4,100	EZSB36-4I	78873	330.1
42	1050	4,500	EZSB42-4I	78874	407.1
48	1200	4,500	EZSB48-4I	78875	437.0
54	1350	4,500	EZSB54-4I	78876	514.0
60	1500	4,500	EZSB60-4I	78877	543.0
72	1800	4,500	EZSB72-4I	78878	586.0

For impact zones with less than 200 lb-ft energy.

Lead time: 1 working day



5' (1.5 m) Length

BELT WIDTH		TONNAGE RATING (ton/hr)	ORDERING NUMBER	ITEM CODE	WT. LBS
in.	mm				
24	600	3,500	EZSB24-5I	78879	294.1
30	750	3,500	EZSB30-5I	78880	317.1
36	900	4,100	EZSB36-5I	78881	347.2
42	1050	4,500	EZSB42-5I	78882	433.0
48	1200	4,500	EZSB48-5I	78883	463.0
54	1350	4,500	EZSB54-5I	78884	548.8
60	1500	4,500	EZSB60-5I	78885	577.9
72	1800	4,500	EZSB72-5I	78886	620.2

For impact zones with less than 200 lb-ft energy.

* 5' (1.5 m) beds come with 5 impact rolls.

Lead time: 1 working day

Product Notes:

- CEMA D construction
- No need to specify troughing angle – designed to adjust to 20°, 35°, 45°.
- Outermost trough bar features 1" (25 mm) solid UHMW slider bar to provide longer wear life and consistent load zone sealing where impact is not present.

Adjustable Idler Set with Impact Rolls

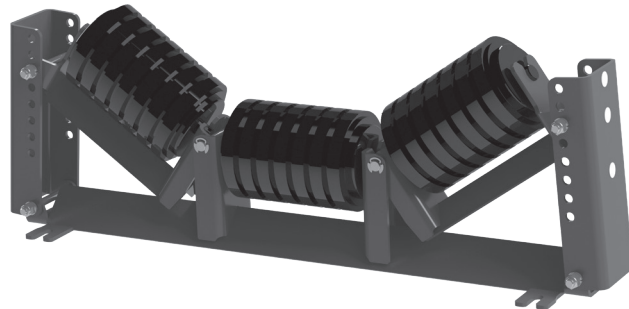
BELT WIDTH		ORDERING NUMBER	ITEM CODE	WT. LBS
in.	mm			
24	600	EZAI-24I	79091	89.9
30	750	EZAI-30I	79092	100.0
36	900	EZAI-36I	79093	110.7
42	1050	EZAI-42I	79094	120.0
48	1200	EZAI-48I	79095	133.3
54	1350	EZAI-54I	79096	142.5
60	1500	EZAI-60I	79097	151.3
72	1800	EZAI-72I	79098	173.6

For placement in between 3 or more beds or in transitions;

Adjusts from 10–45° in 5° increments.

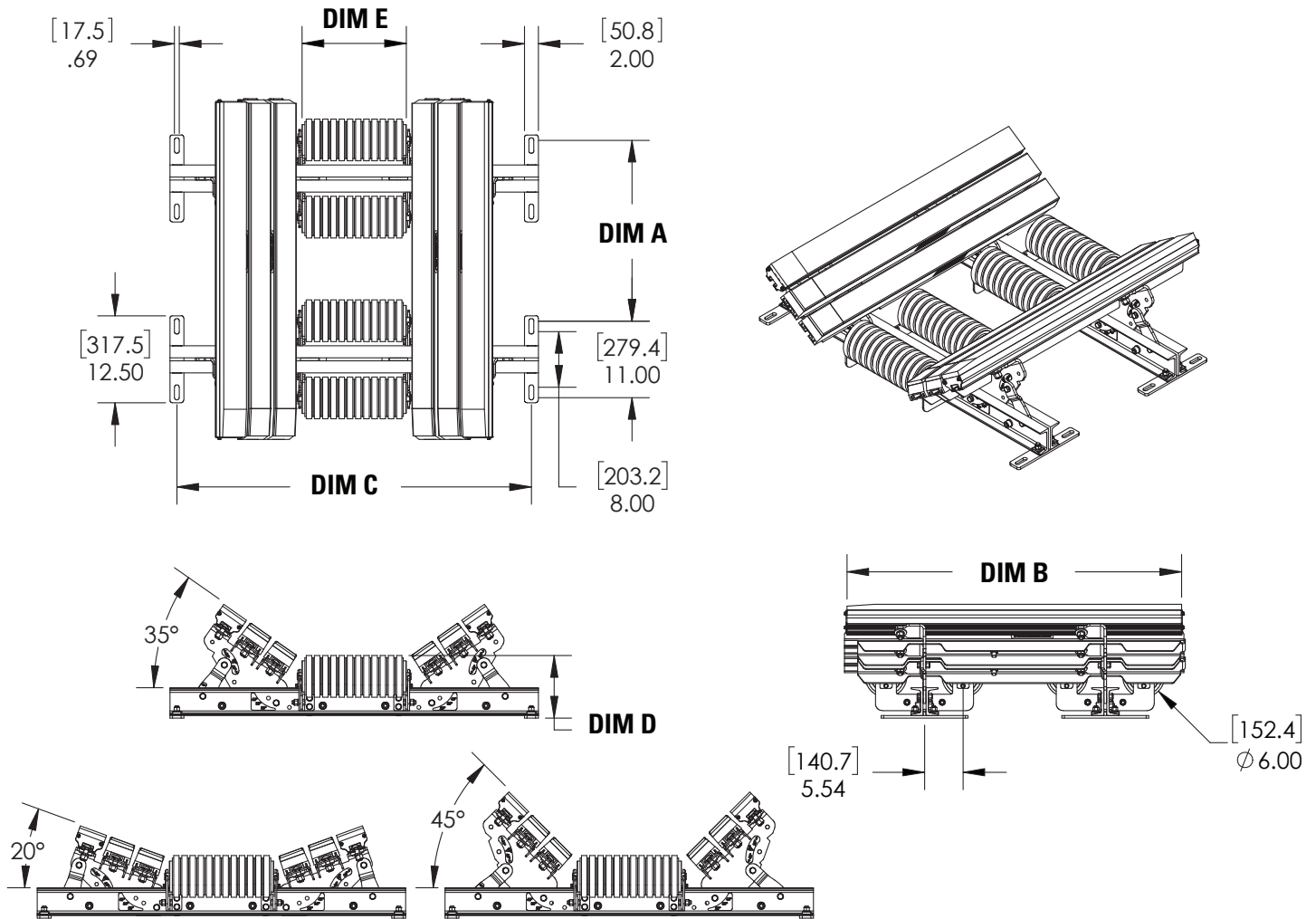
SHIM-KIT-EZAI 91857 - includes two 1/4" (6 mm) and two 1/2" (12.5 mm) shims.

Lead time: 1 working day



Specifications and Guidelines

EZSB-I Flexco Slider Beds with Impact Rolls

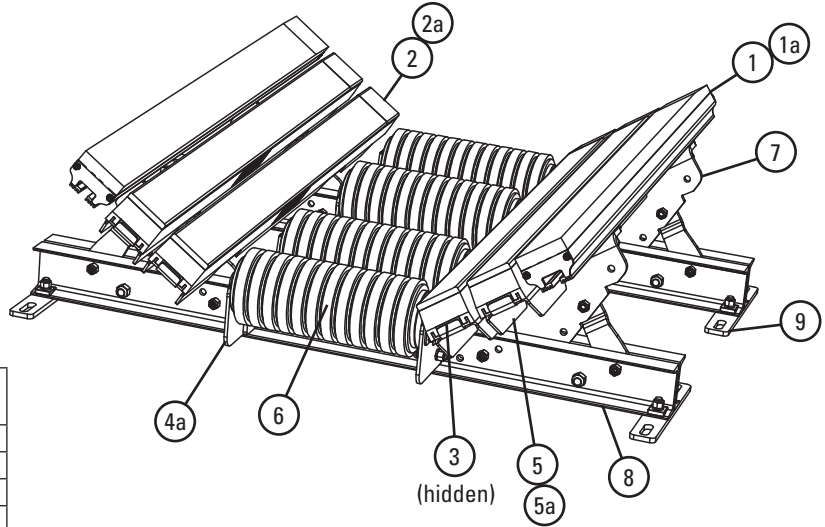
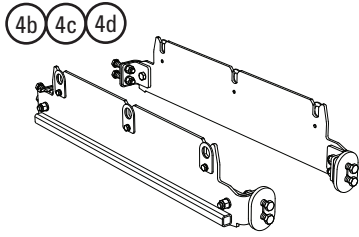


Bed Length 4' (1.2 m)				Bed Length 5' (1.5 m)*				Bed Width		Dim C		Dim D		Dim E	
Dim A		Dim B		Dim A		Dim B									
in.	mm	in.	mm	in.	mm	in.	mm	in.	mm	in.	mm	in.	mm	in.	mm
26	660.4	48.14	1222.8	34	863.6	58.38	1482.9	24	600	33	838	9	229	9	229
								30	750	39	991	9	229	11	279
								36	900	45	1143	9	229	13	330
								42	1050	51	1295	9	229	15	381
								48	1200	57	1448	9	229	17	432
								54	1350	63	1600	9.25	235	19	483
								60	1500	69	1753	9.25	235	21	533
72	1800	81	2057	9.5	241	25	635								

* 5' (1.5 m) beds come with 5 impact rolls

Replacement Parts List

EZSB-I Flexco Slider Beds with Impact Rolls



Replacement Parts

REF	DESCRIPTION	ORDERING NUMBER	ITEM CODE	WT. LBS.
1	Slider Bar, 4' (1.2m)	SB4	78789	20.0
1a	Slider Bar, 5' (1.5m)	SB5	78790	24.1
2	Impact Bar, 4' (1.2m)	IB4	76926	17.0
2a	Impact Bar, 5' (1.5m)	IB5	76927	21.0
3	Bar Bolt Kit (incl. 1 ea. 5/8" (15mm) carriage bolt, square washer, flat washer, lock washer, Nylock nut)	IBBK	76928	0.5
4a	Impact Roller Mount Kit*§	EZIRMK	79318	5.1
4b	Center Roller Mount Kit for 5' (1.5M) x 24-48" (600-1200mm)**	EZCRMK24-48	90434	43.5
4c	Center Roller Mount Kit for 5' (1.5M) x 54-60" (1350-1500mm)**	EZCRMK54-60	90261	43.5
4d	Center Roller Mount Kit for 5' (1.5M) x 72" (1800mm)**	EZCRMK72	90262	43.7
5	Impact Bar Support - L 4' (1.2m)*	EZBS-L4	78953	16.1
5a	Impact Bar Support - L 5' (1.5m)*	EZBS-L5	78954	20.4
6	24" (600mm) Impact Roll	NI6D3T-24-9-A45	26184	10.1
	30" (750mm) Impact Roll	NI6D3T-30-11-A45	26185	12.0
	36" (900mm) Impact Roll	NI6D3T-36-13-A45	26186	13.9
	42" (1050mm) Impact Roll	NI6D3T-42-15-A45	26187	16.0
	48" (1200mm) Impact Roll	NI6D3T-48-17-A45	26188	17.9
	54" (1350mm) Impact Roll	NI6D3T-54-19-A45	26189	19.8
	60" (1500mm) Impact Roll	NI6D3T-60-21-A45	26190	21.7
7	24" (600mm) Wing Plate Kit*	EZWPK-24	78970	16.9
	30" (750mm) Wing Plate Kit*	EZWPK-30	78971	17.4
	36" (900mm) Wing Plate Kit*	EZWPK-36	78972	21.2
	42" (1050mm) Wing Plate Kit*	EZWPK-42	78973	26.2
	48" (1200mm) Wing Plate Kit*	EZWPK-48	78974	30.1
	54" (1350mm) Wing Plate Kit*	EZWPK-54	78975	35.6
	60" (1500mm) Wing Plate Kit*	EZWPK-60	78976	39.0
8	24" (600mm) Cross Stringer Kit*	EZCSK-24	78978	49.2
	30" (750mm) Cross Stringer Kit*	EZCSK-30	78979	56.5
	36" (900mm) Cross Stringer Kit*	EZCSK-36	78980	63.8
	42" (1050mm) Cross Stringer Kit*	EZCSK-42	78981	70.8
	48" (1200mm) Cross Stringer Kit*	EZCSK-48	78982	78.5
	54" (1350mm) Cross Stringer Kit*	EZCSK-54	78983	85.8
	60" (1500mm) Cross Stringer Kit*	EZCSK-60	78984	93.1
72" (1800mm) Cross Stringer Kit*	EZCSK-72	78985	99.1	
9	Shim Kit Light Duty (incl. 4 shims)	SHIM-KITL	77548	13.6

§ 4' beds require 2 ea. item 4a;

§ 5' beds require 1 ea. item 4a and 1 ea. item 4b, 4c or 4d as needed for bed length.

** 5' (1.5 m) beds come with 5 impact rolls.

*Hardware included.

Lead time: 1 working day

Shim Requirements

IMPACT BED SIZE	CEMA C OR D 5" (125mm) IDLERS	CEMA C OR D 6" (150mm) IDLERS
24-36" (600-900mm)	Shim idler up .5" (12.5mm)	No Kits Required
42-72" (1050-1800mm)	No Kits Required	Use (1) SHIM-KITL; Shim up .5" (12.5mm)

IMPACT BED SIZE	CEMA E 6" (150mm) IDLERS	CEMA E 7" (175mm) IDLERS
36-60" (900-1500mm)	Use (3) SHIM-KITL; Shim up 1.5" (37.5mm)	Use (4) SHIM-KITL; Shim up 2" (50mm)
72" (1800mm)	Use (4) SHIM-KITL; Shim up 2" (50mm)	Use (5) SHIM-KITL; Shim up 2.5" (62.5mm)

Replacement Quantities for EZSB-I

	in.	24	30	36	42	48	54	60	72
	mm	600	750	900	1050	1200	1350	1500	1800
ROLLS REQUIRED	4' BEDS	4	4	4	4	4	4	4	4
	5' BEDS	5	5	5	5	5	5	5	5
BARS REQUIRED	SLIDER	2	2	2	2	2	2	2	2
	IMPACT	2	2	2	4	4	6	6	6
BAR BOLT KITS REQUIRED		10	10	10	16	16	22	22	22
BAR SUPPORTS REQUIRED		2	2	2	4	4	6	6	6

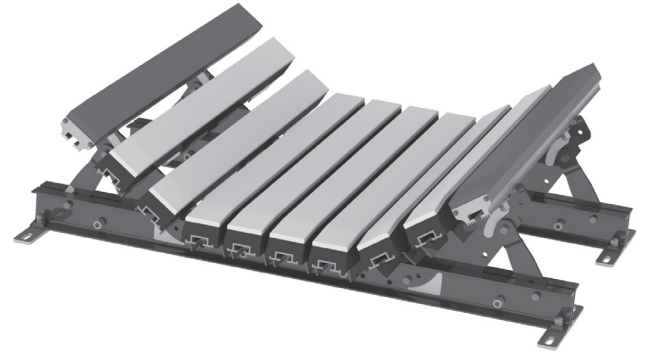
Product Ordering Information

EZIB-L Flexco Impact Beds All Bars – Light Duty

4' (1.2 m) Length

BELT WIDTH		TONNAGE RATING (ton/hr)	ORDERING NUMBER	ITEM CODE	WT. LBS
in.	mm				
24	600	3,500	EZIB24-4L	78887	304.3
30	750	3,500	EZIB30-4L	78888	320.9
36	900	4,100	EZIB36-4L	78889	384.8
42	1050	5,200	EZIB42-4L	78890	454.4
48	1200	5,800	EZIB48-4L	78891	518.4
54	1350	7,000	EZIB54-4L	78892	589.0
60	1500	7,600	EZIB60-4L	78893	652.0
72	1800	8,100	EZIB72-4L	78894	721.5

Lead time: 1 working day



5' (1.5 m) Length

BELT WIDTH		TONNAGE RATING (ton/hr)	ORDERING NUMBER	ITEM CODE	WT. LBS
in.	mm				
24	600	3,500	EZIB24-5L	78895	338.8
30	750	3,500	EZIB30-5L	78896	355.5
36	900	4,100	EZIB36-5L	78897	428.1
42	1050	5,200	EZIB42-5L	78898	506.5
48	1200	5,800	EZIB48-5L	78899	579.3
54	1350	7,000	EZIB54-5L	78900	658.8
60	1500	7,600	EZIB60-5L	78901	729.9
72	1800	8,100	EZIB72-5L	78902	808.7

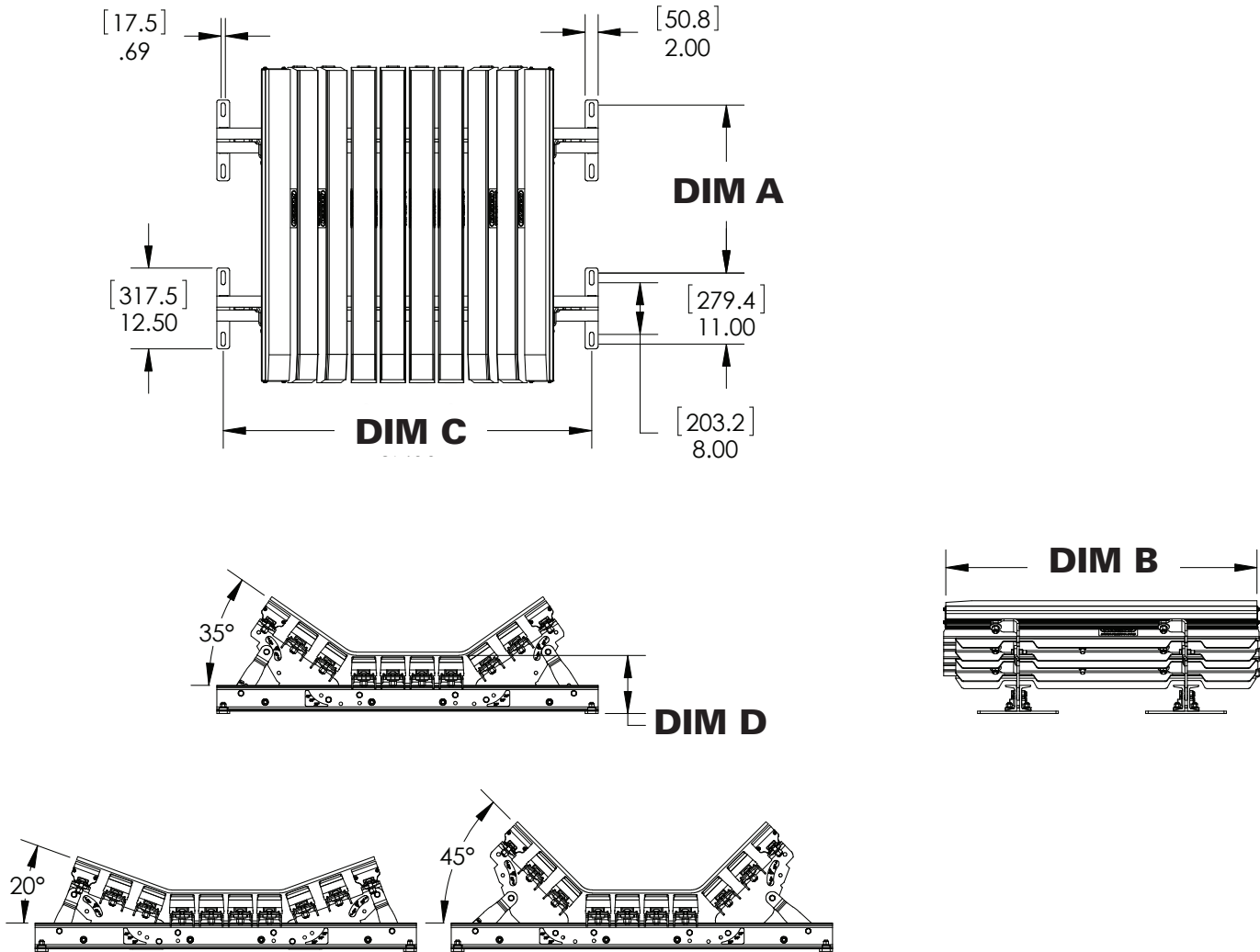
Lead time: 1 working day

Product Notes:

- CEMA D construction
- No need to specify troughing angle—designed to adjust to 20°, 35°, 45°.
- Outermost trough bar features 1" (25 mm) solid UHMW slider bar to provide longer wear life and consistent load zone sealing where impact is not present.

Specifications and Guidelines

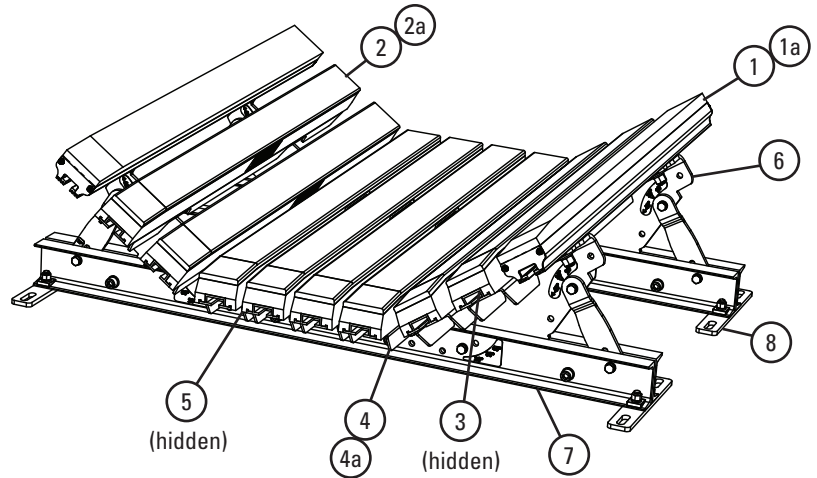
EZIB-L Flexco Impact Beds All Bars – Light Duty



Bed Length 4' (1.2 m)				Bed Length 5' (1.5 m)				Bed Width		Dim C		Dim D	
Dim A		Dim B		Dim A		Dim B							
in.	mm	in.	mm	in.	mm	in.	mm	in.	mm	in.	mm	in.	mm
26	660.4	48.14	1222.8	34	863.6	58.38	1482.9	24	600	33	838	9	229
								30	750	39	991	9	229
								36	900	45	1143	9	229
								42	1050	51	1295	9	229
								48	1200	57	1448	9	229
								54	1350	63	1600	9.25	235
								60	1500	69	1753	9.25	235
72	1800	81	2057	9.5	241								

Replacement Parts List

EZIB-L Flexco Impact Beds All Bars – Light Duty



Replacement Parts

REF	DESCRIPTION	ORDERING NUMBER	ITEM CODE	WT. LBS.
1	Slider Bar, 4' (1.2m)	SB4	78789	20.0
1a	Slider Bar, 5' (1.5m)	SB5	78790	24.1
2	Impact Bar, 4' (1.2m)	IB4	76926	17.0
2a	Impact Bar, 5' (1.5m)	IB5	76927	21.0
3	Bar Bolt Kit (incl. 1 ea. 5/8" (15mm) carriage bolt, square washer, flat washer, lock washer, Nylock nut)	IBBK	76928	0.5
4	Impact Bar Support - L 4' (1.2m)*	EZBS-L4	78953	16.1
4a	Impact Bar Support - L 5' (1.5m)*	EZBS-L5	78954	20.4
5	24" (600mm) Center Bar Mount Kit	EZBMK-24	78944	5.2
	30" (750mm) Center Bar Mount Kit	EZBMK-30	78945	5.7
	36" (900mm) Center Bar Mount Kit	EZBMK-36	78946	7.5
	42" (1050mm) Center Bar Mount Kit	EZBMK-42	78947	8.0
	48" (1200mm) Center Bar Mount Kit	EZBMK-48	78948	9.8
	54" (1350mm) Center Bar Mount Kit	EZBMK-54	78949	10.5
6	24" (600mm) Wing Plate Kit*	EZWPK-24	78970	16.9
	30" (750mm) Wing Plate Kit*	EZWPK-30	78971	17.4
	36" (900mm) Wing Plate Kit*	EZWPK-36	78972	21.2
	42" (1050mm) Wing Plate Kit*	EZWPK-42	78973	26.2
	48" (1200mm) Wing Plate Kit*	EZWPK-48	78974	30.1
	54" (1350mm) Wing Plate Kit*	EZWPK-54	78975	35.6
7	24" (600mm) Cross Stringer Kit*	EZCSK-24	78978	49.2
	30" (750mm) Cross Stringer Kit*	EZCSK-30	78979	56.5
	36" (900mm) Cross Stringer Kit*	EZCSK-36	78980	63.8
	42" (1050mm) Cross Stringer Kit*	EZCSK-42	78981	70.8
	48" (1200mm) Cross Stringer Kit*	EZCSK-48	78982	78.5
	54" (1350mm) Cross Stringer Kit*	EZCSK-54	78983	85.8
8	60" (1500mm) Cross Stringer Kit*	EZCSK-60	78984	93.1
	72" (1800mm) Cross Stringer Kit*	EZCSK-72	78985	99.1
8	Shim Kit Light Duty (incl. 4 shims)	SHIM-KITL	77548	13.6

*Hardware Included
Lead time: 1 working day

Shim Requirements

IMPACT BED SIZE	CEMA C OR D 5" (125mm) IDLERS	CEMA C OR D 6" (150mm) IDLERS
24-36" (600-900mm)	Shim idler up .5" (12.5mm)	No Kits Required
42-72" (1050-1800mm)	No Kits Required	Use (1) SHIM-KITL; Shim up .5" (12.5mm)

IMPACT BED SIZE	CEMA E 6" (150mm) IDLERS	CEMA E 7" (175mm) IDLERS
36-60" (900-1500mm)	Use (3) SHIM-KITL; Shim up 1.5" (37.5mm)	Use (4) SHIM-KITL; Shim up 2" (50mm)
72" (1800mm)	Use (4) SHIM-KITL; Shim up 2" (50mm)	Use (5) SHIM-KITL; Shim up 2.5" (62.5mm)

Replacement Quantities for EZIB-L

	in.	24	30	36	42	48	54	60	72
	mm	600	750	900	1050	1200	1350	1500	1800
BARS REQUIRED	SLIDER	2	2	2	2	2	2	2	2
	IMPACT	4	4	5	7	8	10	11	12
BAR BOLT KITS REQUIRED		16	16	19	25	28	34	37	40
BAR SUPPORTS REQUIRED		4	4	5	7	8	10	11	12

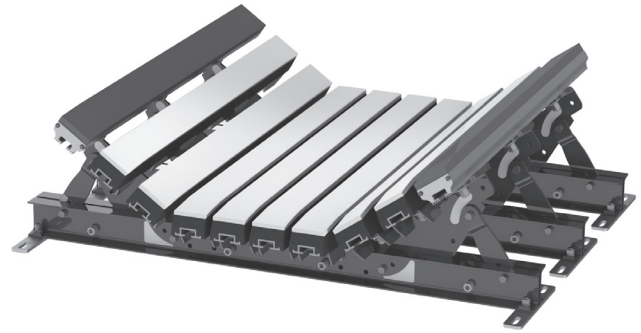
Product Ordering Information

EZIB-M Flexco Impact Beds All Bars – Medium Duty

4' (1.2 m) Length

BELT WIDTH		TONNAGE RATING (ton/hr)	ORDERING NUMBER	ITEM CODE	WT. LBS
in.	mm				
24	600	8,100	EZIB24-4M	78903	409.5
30	750	8,100	EZIB30-4M	78904	434.5
36	900	9,500	EZIB36-4M	78905	473.4
42	1050	12,200	EZIB42-4M	78906	595.0
48	1200	13,600	EZIB48-4M	78907	672.9
54	1350	16,300	EZIB54-4M	78908	757.9
60	1500	17,600	EZIB60-4M	78909	796.1
72	1800	19,000	EZIB72-4M	78910	844.2

Lead time: 1 working day



5' (1.5 m) Length

BELT WIDTH		TONNAGE RATING (ton/hr)	ORDERING NUMBER	ITEM CODE	WT. LBS
in.	mm				
24	600	8,100	EZIB24-5M	78911	452.6
30	750	8,100	EZIB30-5M	78912	477.6
36	900	9,500	EZIB36-5M	78913	516.5
42	1050	12,200	EZIB42-5M	78914	655.7
48	1200	13,600	EZIB48-5M	78915	742.3
54	1350	16,300	EZIB54-5M	78916	836.3
60	1500	17,600	EZIB60-5M	78917	874.4
72	1800	19,000	EZIB72-5M	78918	1016.3

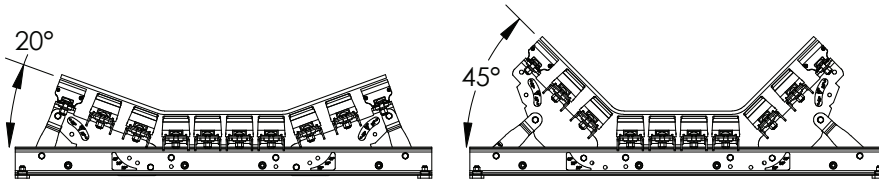
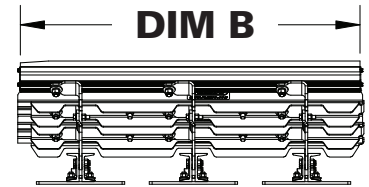
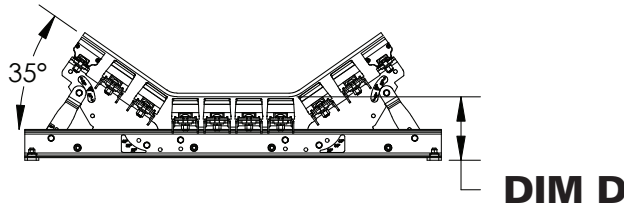
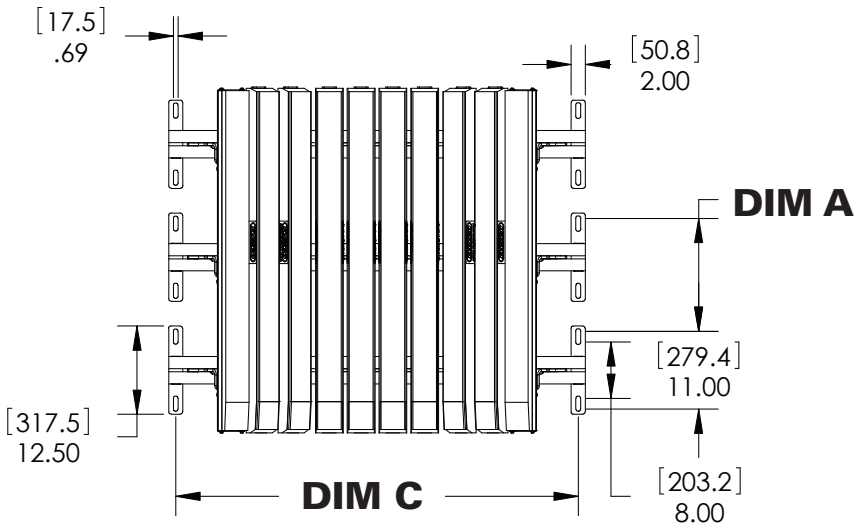
Lead time: 1 working day

Product Notes:

- CEMA D construction
- No need to specify troughing angle—designed to adjust to 20°, 35°, 45°.
- Outermost trough bar features 1" (25 mm) solid UHMW slider bar to provide longer wear life and consistent load zone sealing where impact is not present.

Specifications and Guidelines

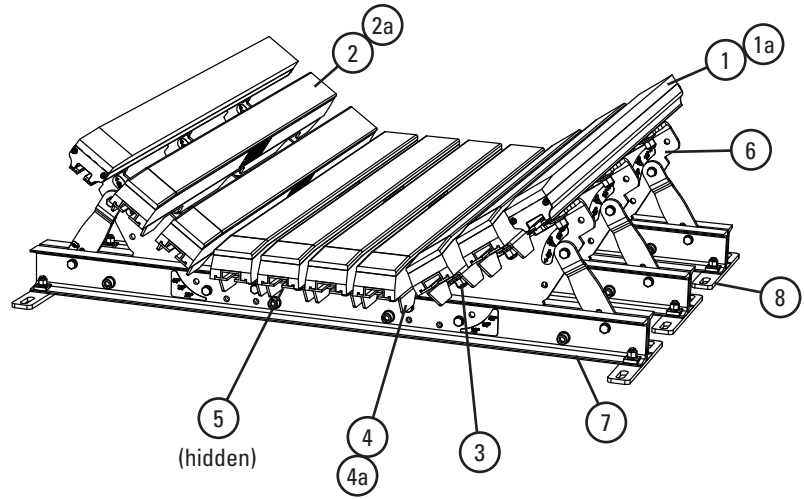
EZIB-M Flexco Impact Beds All Bars – Medium Duty



Bed Length 4' (1.2 m)				Bed Length 5' (1.5 m)				Bed Width		Dim C		Dim D	
Dim A		Dim B		Dim A		Dim B							
in.	mm	in.	mm	in.	mm	in.	mm	in.	mm	in.	mm	in.	mm
16	406.4	48.14	1222.8	22	558.8	58.38	1482.9	24	600	33	838	9	229
								30	750	39	991	9	229
								36	900	45	1143	9	229
								42	1050	51	1295	9	229
								48	1200	57	1448	9	229
								54	1350	63	1600	9.25	235
								60	1500	69	1753	9.25	235
72	1800	81	2057	9.5	241								

Replacement Parts List

EZIB-M Flexco Impact Beds All Bars - Medium Duty



Replacement Parts

REF	DESCRIPTION	ORDERING NUMBER	ITEM CODE	WT. LBS.
1	Slider Bar, 4' (1.2m)	SB4	78789	20.0
1a	Slider Bar, 5' (1.5m)	SB5	78790	24.1
2	Impact Bar, 4' (1.2m)	IB4	76926	17.0
2a	Impact Bar, 5' (1.5m)	IB5	76927	21.0
3	Bar Bolt Kit (incl. 1 ea. 5/8" (15mm) carriage bolt, square washer, flat washer, lock washer, Nylock nut)	IBBK	76928	0.5
4	Impact Bar Support - M 4' (1.2m)*	IBS-M4	76931	16.9
4a	Impact Bar Support - M 5' (1.5m)*	IBS-M5	76932	21.2
5	24" (600mm) Center Bar Mount Kit	EZBMK-24	78944	5.2
	30" (750mm) Center Bar Mount Kit	EZBMK-30	78945	5.7
	36" (900mm) Center Bar Mount Kit	EZBMK-36	78946	7.5
	42" (1050mm) Center Bar Mount Kit	EZBMK-42	78947	8.0
	48" (1200mm) Center Bar Mount Kit	EZBMK-48	78948	9.8
	54" (1350mm) Center Bar Mount Kit	EZBMK-54	78949	10.5
6	24" (600mm) Wing Plate Kit*	EZWPK-24	78970	16.9
	30" (750mm) Wing Plate Kit*	EZWPK-30	78971	17.4
	36" (900mm) Wing Plate Kit*	EZWPK-36	78972	21.2
	42" (1050mm) Wing Plate Kit*	EZWPK-42	78973	26.2
	48" (1200mm) Wing Plate Kit*	EZWPK-48	78974	30.1
	54" (1350mm) Wing Plate Kit*	EZWPK-54	78975	35.6
7	24" (600mm) Cross Stringer Kit*	EZCSK-24	78978	49.2
	30" (750mm) Cross Stringer Kit*	EZCSK-30	78979	56.5
	36" (900mm) Cross Stringer Kit*	EZCSK-36	78980	63.8
	42" (1050mm) Cross Stringer Kit*	EZCSK-42	78981	70.8
	48" (1200mm) Cross Stringer Kit*	EZCSK-48	78982	78.5
	54" (1350mm) Cross Stringer Kit*	EZCSK-54	78983	85.8
8	60" (1500mm) Cross Stringer Kit*	EZCSK-60	78984	93.1
	72" (1800mm) Cross Stringer Kit*	EZCSK-72	78985	99.1
8	Shim Kit Medium Duty (incl. 4 shims)	SHIM-KITM	77549	20.4

*Hardware Included
Lead time: 1 working day

Shim Requirements

IMPACT BED SIZE	CEMA C OR D 5" (125mm) IDLERS	CEMA C OR D 6" (150mm) IDLERS
24-36" (600-900mm)	Shim idler up .5" (12.5mm)	No Kits Required
42-72" (1050-1800mm)	No Kits Required	Use (1) SHIM-KITM; Shim up .5" (12.5mm)

IMPACT BED SIZE	CEMA E 6" (150mm) IDLERS	CEMA E 7" (175mm) IDLERS
36-60" (900-1500mm)	Use (3) SHIM-KITM; Shim up 1.5" (37.5mm)	Use (4) SHIM-KITM; Shim up 2" (50mm)
72" (1800mm)	Use (4) SHIM-KITM; Shim up 2" (50mm)	Use (5) SHIM-KITM; Shim up 2.5" (62.5mm)

Replacement Quantities for EZIB-M

in.		24	30	36	42	48	54	60	72
mm		600	750	900	1050	1200	1350	1500	1800
BARS REQUIRED	SLIDER	2	2	2	2	2	2	2	2
	IMPACT	4	4	5	7	8	10	11	12
BAR BOLT KITS REQUIRED		26	26	31	41	46	56	61	66
BAR SUPPORTS REQUIRED		4	4	5	7	8	10	11	12

Product Ordering Information

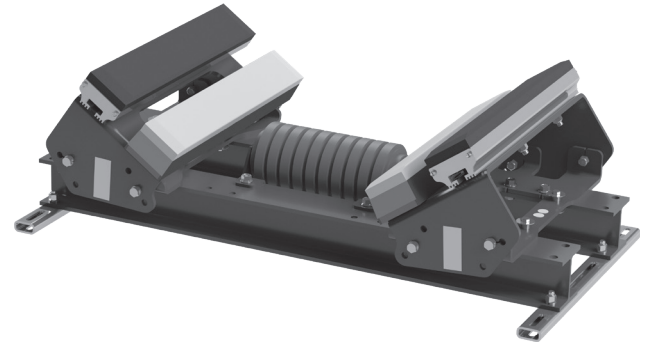
MSB Modular Slider Beds with Impact Rolls

2' (600 mm) Sections

BELT WIDTH		TONNAGE RATING (ton/hr)	ORDERING NUMBER	ITEM CODE	WT. LBS
in.	mm				
24	600	3,500	MSB24-2I	79979	246.8
30	750	3,500	MSB30-2I	79980	263.5
36	900	4,100	MSB36-2I	79981	297.9
42	1050	4,500	MSB42-2I	79982	373.2
48	1200	4,500	MSB48-2I	79983	393.4
54	1350	4,500	MSB54-2I	79984	493.2
60	1500	4,500	MSB60-2I	79985	513.9
72	1800	4,500	MSB72-2I	79986	557.9

For impact zones with less than 200 lb-ft energy.

Lead time: 1 working day



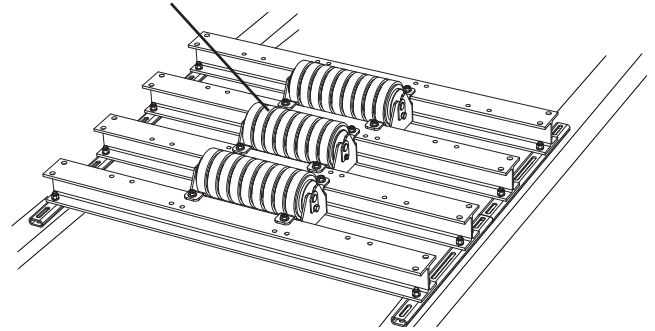
Add-on Impact Roller Kit

BELT WIDTH		ORDERING NUMBER	ITEM CODE	WT. LBS
in.	mm			
24	600	MSB24RMK	79991	17.0
30	750	MSB30RMK	79992	18.5
36	900	MSB36RMK	79993	20.2
42	1050	MSB42RMK	79994	21.8
48	1200	MSB48RMK	79995	24.0
54	1350	MSB54RMK	79996	24.9
60	1500	MSB60RMK	79997	26.0
72	1800	MSB72RMK	79998	29.5

For placement between 2 beds to reduce the space between impact rollers.

Lead time: 1 working day

Add-on Impact Roller installed between 2 Modular Slider Beds



Adjustable Idler Set with Impact Rolls

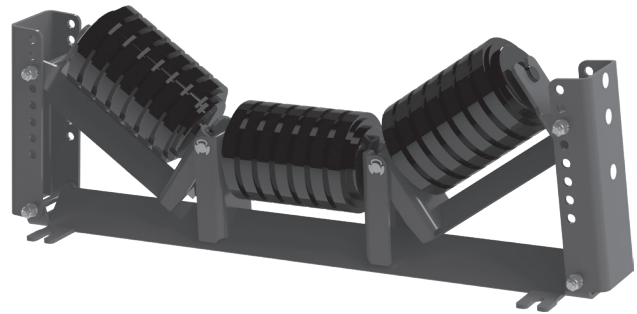
BELT WIDTH		ORDERING NUMBER	ITEM CODE	WT. LBS
in.	mm			
24	600	EZAI-24I	79091	89.9
30	750	EZAI-30I	79092	100.0
36	900	EZAI-36I	79093	110.7
42	1050	EZAI-42I	79094	120.0
48	1200	EZAI-48I	79095	133.3
54	1350	EZAI-54I	79096	142.5
60	1500	EZAI-60I	79097	151.3
72	1800	EZAI-72I	79098	173.6

For placement in between 3 or more beds or in transitions;

Adjusts from 10–45° in 5° increments.

SHIM-KIT-EZAI 91857 - includes two 1/4" (6 mm) and two 1/2" (12.5 mm) shims.

Lead time: 1 working day

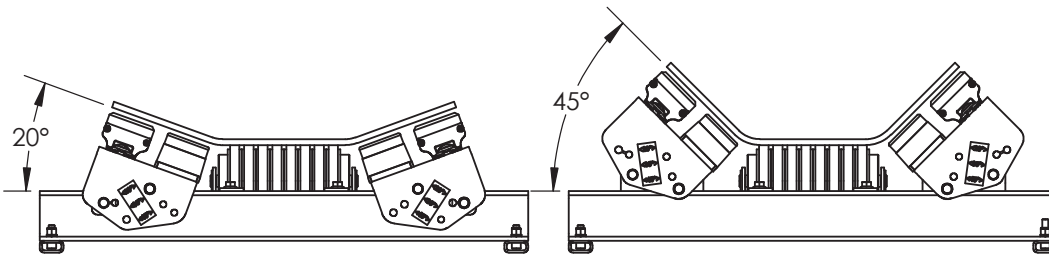
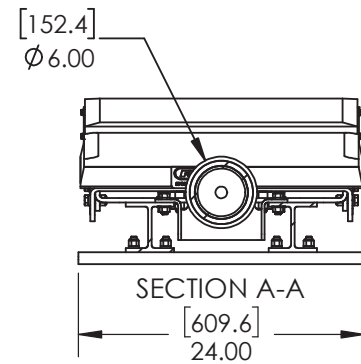
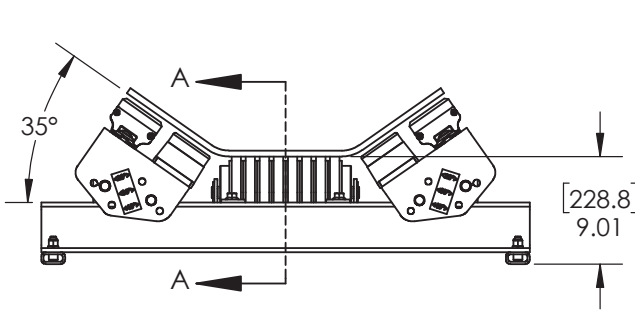
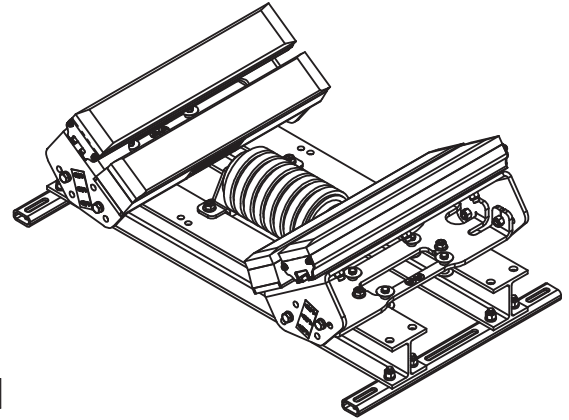
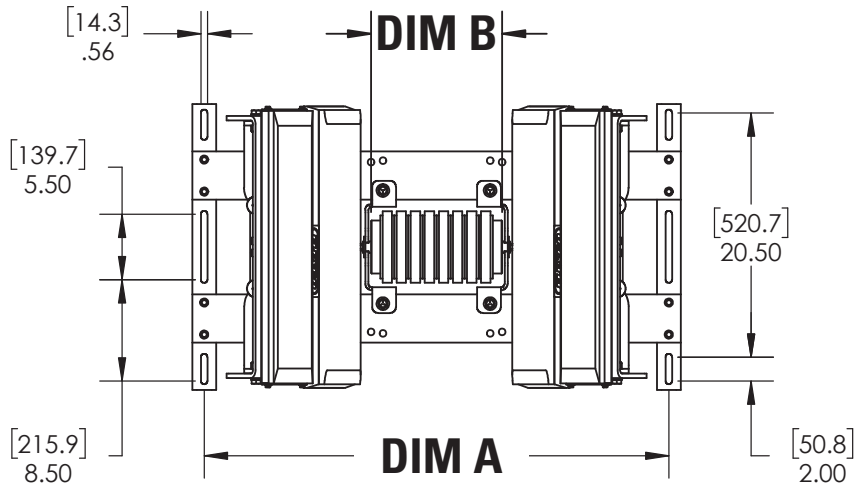


Product Notes:

- Modular design accommodates any length of load zone
- CEMA D construction
- No need to specify troughing angle – designed to adjust to 20°, 35°, 45°
- All bars feature 1" (25 mm) solid UHMW
- With removal of a few bolts, the wings and center sections slide out for service
- Optional add-on roller to join two beds and reduce the space between idlers from every 24" (600 mm) to every 12" (300 mm).

Specifications and Guidelines

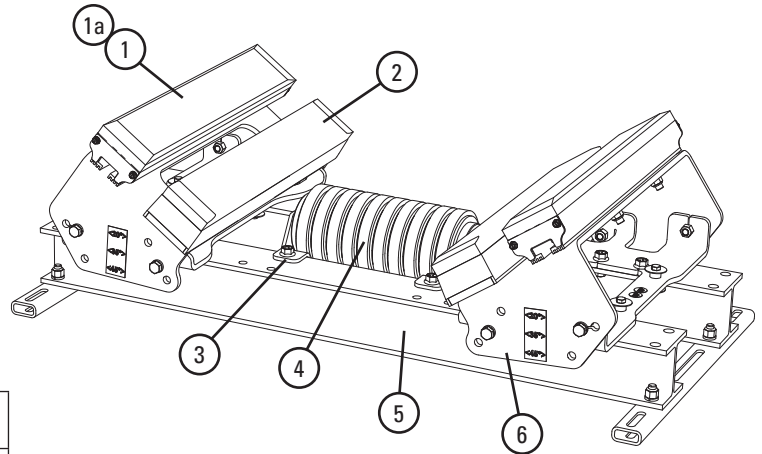
MSB Modular Slider Beds with Impact Rolls



Bed Width		Dim A		Dim B	
in.	mm	in.	mm	in.	mm
24	600	33	838	9	229
30	750	39	991	11	279
36	900	45	1143	13	330
42	1050	51	1295	15	381
48	1200	57	1448	17	432
54	1350	63	1600	19	483
60	1500	69	1753	21	533
72	1800	81	2057	25	635

Replacement Parts List

MSB Modular Slider Beds with Impact Rolls



Replacement Parts

REF	DESCRIPTION	ORDERING NUMBER	ITEM CODE	WT. LBS.
1	Slider Bar, 2' (600mm)	SB2	79970	10.0
1a	Slider Bar with hardware, 2' (600mm)	SB2F	79988	10.9
2	Impact Bar, 2' (600mm)	MIB2-1U	79379	19.7
2a	Impact Bar with hardware, 2' (600mm)	MIB2-1UF	79908	20.0
3	Roller Mount Kit*	MSBRMK	79987	7.9
4	24" (600mm) Impact Roll	NI6D3T-24-9-A45	26184	10.1
	30" (750mm) Impact Roll	NI6D3T-30-11-A45	26185	12.0
	36" (900mm) Impact Roll	NI6D3T-36-13-A45	26186	13.9
	42" (1050mm) Impact Roll	NI6D3T-42-15-A45	26187	16.0
	48" (1200mm) Impact Roll	NI6D3T-48-17-A45	26188	17.9
	54" (1350mm) Impact Roll	NI6D3T-54-19-A45	26189	19.8
	60" (1500mm) Impact Roll	NI6D3T-60-21-A45	26190	21.7
	72" (1800mm) Impact Roll	NI6D3T-72-25-A45	26191	25.6
5	24" (600mm) Cross Stringer Kit*	MIB24CSK	90237	86.7
	30" (750mm) Cross Stringer Kit*	MIB30CSK	90238	99.6
	36" (900mm) Cross Stringer Kit*	MIB36CSK	90239	112.5
	42" (1050mm) Cross Stringer Kit*	MIB42CSK	90240	125.4
	48" (1200mm) Cross Stringer Kit*	MIB48CSK	90241	138.4
	54" (1350mm) Cross Stringer Kit*	MIB54CSK	90242	153.7
	60" (1500mm) Cross Stringer Kit*	MIB60CSK	90243	166.6
72" (1800mm) Cross Stringer Kit*	MIB72CSK	90244	194.7	
6	24" (600mm) Wing Plate Kit*	MIB24WPK	90245	38.9
	30" (750mm) Wing Plate Kit*	MIB30WPK	90246	39.8
	36" (900mm) Wing Plate Kit*	MIB36WPK	90247	49.6
	42" (1050mm) Wing Plate Kit*	MIB42WPK	90248	59.7
	48" (1200mm) Wing Plate Kit*	MIB48WPK	90249	62.4
	54" (1350mm) Wing Plate Kit*	MIB54WPK	90250	83.8
	60" (1500mm) Wing Plate Kit*	MIB60WPK	90251	86.7
72" (1800mm) Wing Plate Kit*	MIB72WPK	90252	92.8	
7	Shim Kit (incl. 4 shims)	SHIM-KITMOD	79989	11.8

*Hardware Included

Lead time: 1 working day

Shim Requirements

IMPACT BED SIZE	CEMA C OR D 5" (125mm) IDLERS	CEMA C OR D 6" (150mm) IDLERS
24-36" (600-900mm)	Shim idler up .5" (12.5mm)	No Kits Required
42-72" (1050-1800mm)	No Kits Required	Use (1) shim kit; Shim up .5" (12.5mm)

IMPACT BED SIZE	CEMA E 6" (150mm) IDLERS	CEMA E 7" (175mm) IDLERS
36-60" (900-1500mm)	Use (3) shim kits; Shim up 1.5" (37.5mm)	Use (4) shim kits; Shim up 2" (50mm)
72" (1800mm)	Use (4) shim kits; Shim up 2" (50mm)	Use (5) shim kits; Shim up 2.5" (62.5mm)

Replacement Quantities for MSB

in.		24	30	36	42	48	54	60	72
mm		600	750	900	1050	1200	1350	1500	1800
BARS REQUIRED	SLIDER	2	2	2	2	2	2	2	2
	IMPACT	2	2	2	4	4	6	6	6

Product Ordering Information

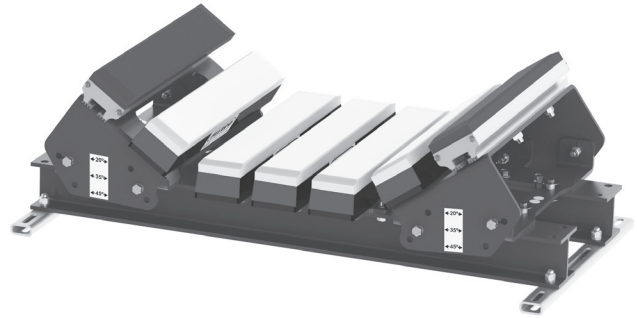
MIB Modular Impact Beds All Bars

2' (600 mm) Sections

BELT WIDTH		TONNAGE RATING (ton/hr)	ORDERING NUMBER	ITEM CODE	WT. LBS
in.	mm				
24	600	12,800	MIB24-2H	79971	288.0
30	750	12,800	MIB30-2H	79972	303.9
36	900	14,900	MIB36-2H	79973	365.1
42	1050	19,200	MIB42-2H	79974	439.0
48	1200	21,300	MIB48-2H	79975	484.4
54	1350	25,600	MIB54-2H	79976	583.8
60	1500	27,700	MIB60-2H	79977	629.5
72	1800	29,900	MIB72-2H	79978	698.3

For impact zones with less than 1500 lb-ft energy.

Lead time: 1 working day



Adjustable Idler Set with Impact Rolls

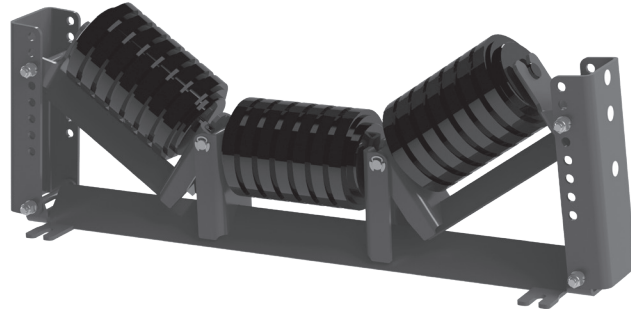
BELT WIDTH		ORDERING NUMBER	ITEM CODE	WT. LBS
in.	mm			
24	600	EZAI-24I	79091	89.9
30	750	EZAI-30I	79092	100.0
36	900	EZAI-36I	79093	110.7
42	1050	EZAI-42I	79094	120.0
48	1200	EZAI-48I	79095	133.3
54	1350	EZAI-54I	79096	142.5
60	1500	EZAI-60I	79097	151.3
72	1800	EZAI-72I	79098	173.6

For placement in between 3 or more beds or in transitions;

Adjusts from 10–45° in 5° increments.

SHIM-KIT-EZAI 91857 - includes two 1/4" (6 mm) and two 1/2" (12.5 mm) shims.

Lead time: 1 working day

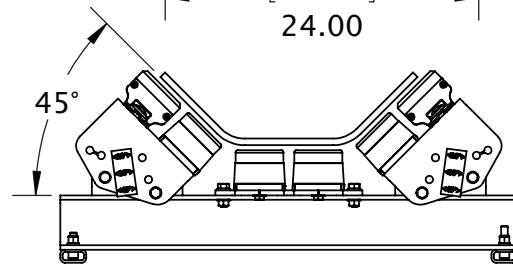
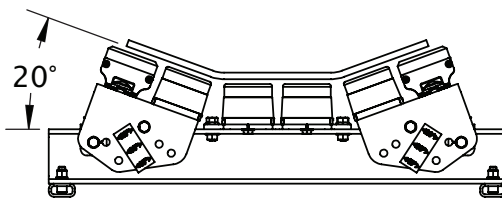
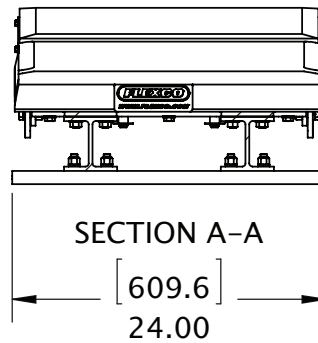
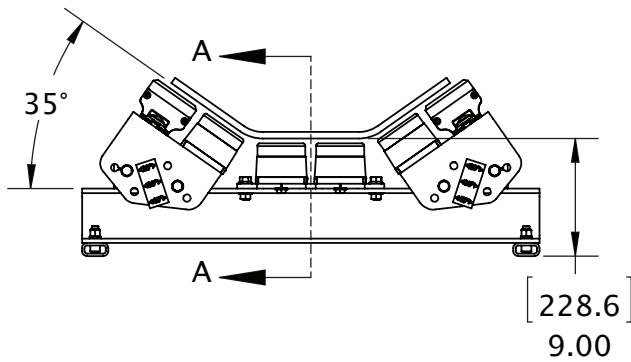
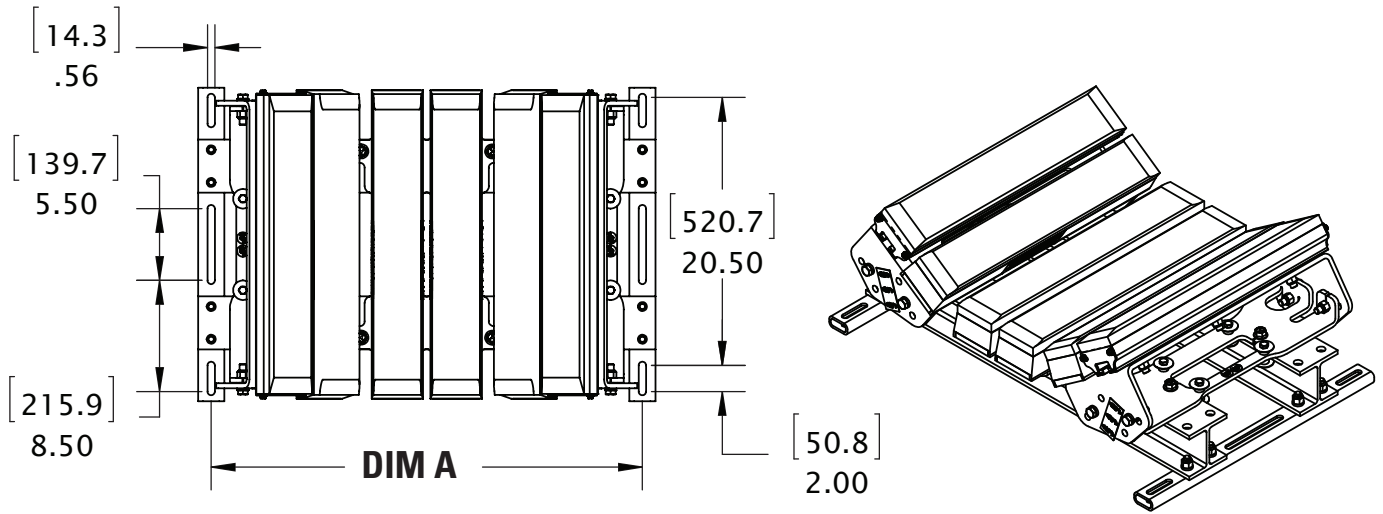


Product Notes:

- Modular design accommodates any length of load zone.
- CEMA D construction.
- No need to specify troughing angle—designed to adjust to 20°, 35°, 45°.
- All bars feature 1" (25 mm) solid UHMW.
- With removal of a few bolts, the wings and center sections slide out for service.

Specifications and Guidelines

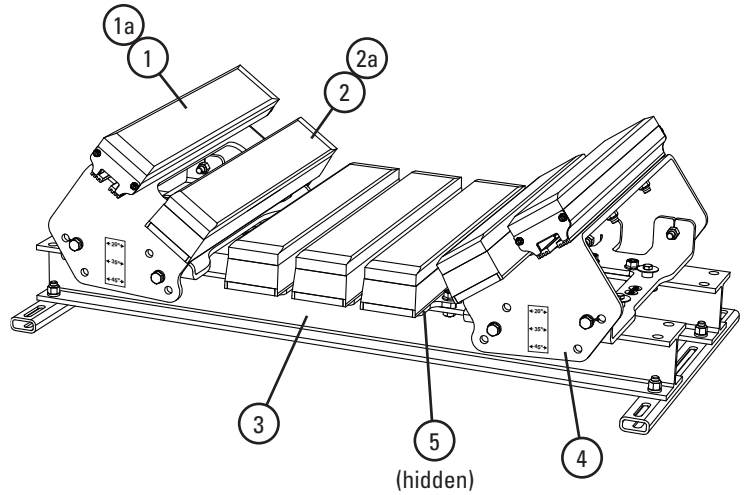
MIB
Modular Impact Beds
All Bars



Bed Width		Dim A	
in.	mm	in.	mm
24	600	33	838
30	750	39	991
36	900	45	1143
42	1050	51	1295
48	1200	57	1448
54	1350	63	1600
60	1500	69	1753
72	1800	81	2057

Replacement Parts List

MIB Modular Impact Beds All Bars



Replacement Parts

REF	DESCRIPTION	ORDERING NUMBER	ITEM CODE	WT. LBS.
1	Slider Bar, 2' (600mm)	SB2	79970	10.0
1a	Slider Bar with hardware, 2' (600mm)	SB2F	79988	10.9
2	Impact Bar, 2' (600mm)	MIB2-1U	79379	19.7
2a	Impact Bar with hardware, 2' (600mm)	MIB2-1UF	79908	20.0
3	24" (600mm) Cross Stringer Kit*	MIB24CSK	90237	86.7
	30" (750mm) Cross Stringer Kit*	MIB30CSK	90238	99.6
	36" (900mm) Cross Stringer Kit*	MIB36CSK	90239	112.5
	42" (1050mm) Cross Stringer Kit*	MIB42CSK	90240	125.4
	48" (1200mm) Cross Stringer Kit*	MIB48CSK	90241	138.4
	54" (1350mm) Cross Stringer Kit*	MIB54CSK	90242	153.7
	60" (1500mm) Cross Stringer Kit*	MIB60CSK	90243	166.6
	72" (1800mm) Cross Stringer Kit*	MIB72CSK	90244	194.7
4	24" (600mm) Wing Plate Kit*	MIB24WPK	90245	38.9
	30" (750mm) Wing Plate Kit*	MIB30WPK	90246	39.8
	36" (900mm) Wing Plate Kit*	MIB36WPK	90247	49.6
	42" (1050mm) Wing Plate Kit*	MIB42WPK	90248	59.7
	48" (1200mm) Wing Plate Kit*	MIB48WPK	90249	62.4
	54" (1350mm) Wing Plate Kit*	MIB54WPK	90250	83.8
	60" (1500mm) Wing Plate Kit*	MIB60WPK	90251	86.7
72" (1800mm) Wing Plate Kit*	MIB72WPK	90252	92.8	
5	24" (600mm) Center Plate Kit*	MIB24CPK	90253	19.3
	30" (750mm) Center Plate Kit*	MIB30CPK	90254	20.4
	36" (900mm) Center Plate Kit*	MIB36CPK	90255	29.2
	42" (1050mm) Center Plate Kit*	MIB42CPK	90256	29.9
	48" (1200mm) Center Plate Kit*	MIB48CPK	90257	37.0
	54" (1350mm) Center Plate Kit*	MIB54CPK	90258	38.5
	60" (1500mm) Center Plate Kit*	MIB60CPK	90259	45.4
72" (1800mm) Center Plate Kit*	MIB72CPK	90260	54.2	
-	Shim Kit (incl. 4 shims)	SHIM-KITMOD	79989	11.8

Shim Requirements

IMPACT BED SIZE	CEMA C OR D 5" (125mm) IDLERS	CEMA C OR D 6" (150mm) IDLERS
24-36" (600-900mm)	Shim idler up .5" (12.5mm)	No Kits Required
42-72" (1050-1800mm)	No Kits Required	Use (1) shim kit; Shim up .5" (12.5mm)

IMPACT BED SIZE	CEMA E 6" (150mm) IDLERS	CEMA E 7" (175mm) IDLERS
36-60" (900-1500mm)	Use (3) shim kits; Shim up 1.5" (37.5mm)	Use (4) shim kits; Shim up 2" (50mm)
72" (1800mm)	Use (4) shim kits; Shim up 2" (50mm)	Use (5) shim kits; Shim up 2.5" (62.5mm)

*Hardware Included
Lead time: 1 working day

Replacement Quantities for MIB

		24	30	36	42	48	54	60	72
in.									
mm		600	750	900	1050	1200	1350	1500	1800
BARS REQUIRED	SLIDER	2	2	2	2	2	2	2	2
	IMPACT	4	4	5	7	8	10	11	12

Specifications & Guidelines

It's the Structure, not the bars

It absorbs more impact to save your belt. Our exclusive **Velocity Reduction Technology™** provides two levels of impact relief.

Level 1: Impact Bars first absorb impact energy. Unique Impact Bar Supports on all DRX™ Impact Beds allow the impact bars to function properly - expanding and absorbing more impact energy.

Level 2: On DRX™ 200, 750, and 1500 impact beds, Isolation Mounts provide a second level of reaction force reduction, absorbing additional impact energy and minimizing transmission back to the belt. The DRX™ 3000 and 4500 Dynamic have Impact Energy Absorbers to disperse an immense amount of impact, even in extremely severe applications.

User-Friendly Slide-Out Service™

- All DRX™ Impact Beds separate in the middle to slide apart and out.
- Can be easily and safely converted from the run position to the service position.
- Impact bars are easy to get to for changeout. A complete changeout can be done in one or two hours.

Unique Impact Bar Supports protect the impact bars from damage, extending service life. An Anti-Migratory Tab on each support secures the bar and prevents it from sliding in the direction of the belt.

Other Features and Benefits

- Uses exclusive anti-spin square washers. Allows use of carriage bolts to secure impact bars instead of expensive T bolts.

How to spec the correct impact bed for your conveyor transfer point

Impact Energy Calculation Chart

Impact Energy

Lump Weight (w) _____

Drop Height (h) x _____

Total = lb-ft _____ See Below

Up to 200 lb-ft (25 kg-m)—DRX200

200 to 750 lb-ft (25 to 100 kg-m)—DRX750

750 to 1500 lb-ft (100 to 200 kg-m)—DRX1500

1500 to 3000 lb-ft (200 to 400 kg-m)—DRX3000

1500 to 4500 lb-ft (200 to 600 kg-m)—DRX4500

Roller Size and CEMA Rating

5" (125 mm) 6" (150 mm)

CEMA C D E

Belt Width _____

Troughing Angle: 20° 35°

Bed Length: 4' (1.2 m) 5' (1.5 m)

Product Ordering Information

DRX™ 200
Impact Beds

4' (1.2 m) Bed CEMA D construction

BELT WIDTH		TONNAGE RATING (ton/hr)	20° TROUGH		35° TROUGH		WT. LBS
in.	mm		ORDERING NUMBER	ITEM CODE	ORDERING NUMBER	ITEM CODE	
24	600	3,500	DRXL-24-420	76816	DRXL-24-435	76832	260.0
30	750	3,500	DRXL-30-420	76817	DRXL-30-435	76833	282.0
36	900	4,100	DRXL-36-420	76818	DRXL-36-435	76834	323.0
42	1050	5,200	DRXL-42-420	76819	DRXL-42-435	76835	412.0
48	1200	5,800	DRXL-48-420	76820	DRXL-48-435	76836	433.0
54	1350	7,000	DRXL-54-420	76821	DRXL-54-435	76837	498.0
60	1500	7,600	DRXL-60-420	76822	DRXL-60-435	76838	543.0
72	1800	8,100	DRXL-72-420	76823	DRXL-72-435	76839	615.0

Lead time: 3 weeks

5' (1.5 m) Bed CEMA D construction

BELT WIDTH		TONNAGE RATING (ton/hr)	20° TROUGH		35° TROUGH		WT. LBS
in.	mm		ORDERING NUMBER	ITEM CODE	ORDERING NUMBER	ITEM CODE	
24	600	3,500	DRXL-24-520	76824	DRXL-24-535	76840	290.0
30	750	3,500	DRXL-30-520	76825	DRXL-30-535	76841	311.0
36	900	4,100	DRXL-36-520	76826	DRXL-36-535	76842	357.0
42	1050	5,200	DRXL-42-520	76827	DRXL-42-535	76843	459.0
48	1200	5,800	DRXL-48-520	76828	DRXL-48-535	76844	480.0
54	1350	7,000	DRXL-54-520	76829	DRXL-54-535	76845	554.0
60	1500	7,600	DRXL-60-520	76830	DRXL-60-535	76846	602.0
72	1800	8,100	DRXL-72-520	76831	DRXL-72-535	76847	679.0

Lead time: 3 weeks

Product Notes:

- Rated for impacts up to 200 lb-ft (25 kg-m)
- Rated for belt speeds up to 1000 FMP (5 m/s)
- Slide-out serviceability
- Velocity Reduction Technology provides multiple points of protection
- Alternative trough angles or picking idler profiles available by special quote

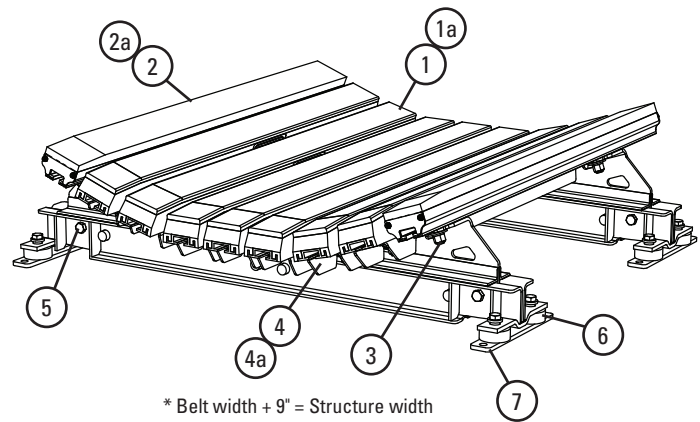
Replacement Parts

REF	DESCRIPTION	ORDERING NUMBER	ITEM CODE	WT. LBS.
1	Impact Bar, 4' (1.2m)	IB4	76926	17.0
1a	Impact Bar, 5' (1.5m)	IB5	76927	21.0
2	Slider Bar, 4' (1.2m)	SB4	78789	20.0
2a	Slider Bar, 5' (1.5m)	SB5	78790	24.1
3	Impact Bar Bolt Kit (incl. (1) ea. 5/8" (15mm) carriage bolt, square washer, flat washer, lock washer, Nylock nut)	IBBK	76928	0.5
4	Impact Bar Support - L 4' (1.2m) (incl. (1) ea. bar support, carriage bolt, square washer, lock washer, Nylock nut)	IBS-L4	76929	16.8
4a	Impact Bar Support - L 5' (1.5m) (incl. (1) ea. bar support, carriage bolt, square washer, lock washer, Nylock nut)	IBS-L5	76930	21.0
5	Sliding Support Arm Bolt Kit (incl. (2) ea. 2" bolts, lock washers, Nylock nuts)	ISABK-LMH	77529	2.0
6	Isolation Mount Kit	IMK	76936	3.8
7	DRX200 Shim Kit (incl. 4 shims)	SHIM-KITL	77548	13.6

Lead time: 1 working day

Replacement Quantities per Belt Width for DRX200

	in.	24	30	36	42	48	54	60	72
	mm	600	750	900	1050	1200	1350	1500	1800
Slider Bars Required		2	2	2	2	2	2	2	4
Impact Bars Required		4	4	5	7	8	10	11	12
Impact Bar Supports Required		4	4	5	7	8	10	11	12
Impact Bar Bolt Kits Required		16	16	19	25	28	34	37	44



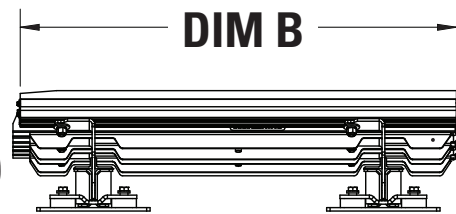
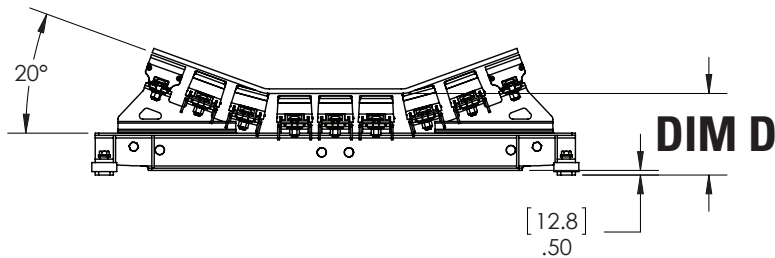
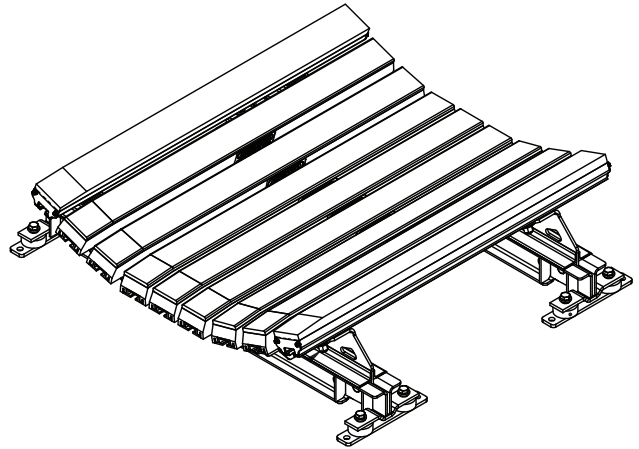
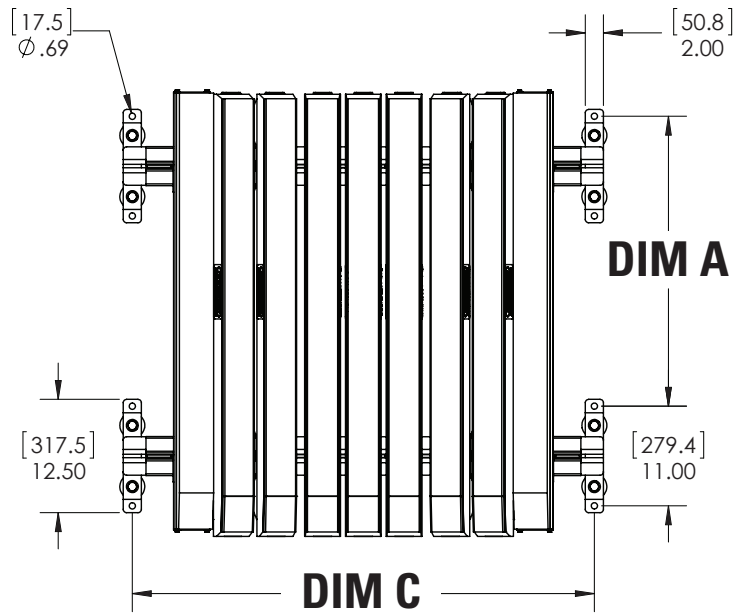
Shim Requirements

IMPACT BED SIZE	CEMA C OR D 5" (125mm) IDLERS	CEMA C OR D 6" (150mm) IDLERS
24-36" (600-900mm)	Shim idler up .5" (12.5mm)	No Kits Required
42-72" (1050-1800mm)	No Kits Required	Use (1) SHIM-KITL; Shim up .5" (12.5mm)

IMPACT BED SIZE	CEMA E 6" (150mm) IDLERS	CEMA E 7" (175mm) IDLERS
36-60" (900-1500mm)	Use (3) SHIM-KITL; Shim up 1.5" (37.5mm)	Use (4) SHIM-KITL; Shim up 2" (50mm)
72" (1800mm)	Use (4) SHIM-KITL; Shim up 2" (50mm)	Use (5) SHIM-KITL; Shim up 2.5" (62.5mm)

Specifications and Guidelines

DRX™ 200
Impact Beds



Bed Length 4' (1.2 m)				Bed Length 5' (1.5 m)				Bed Width		Dim C		Dim D	
Dim A		Dim B		Dim A		Dim B							
in.	mm	in.	mm	in.	mm	in.	mm	in.	mm	in.	mm	in.	mm
32	812.8	48.14	1222.8	44	1117.6	58.38	1482.9	24	600	33	838	9	229
								30	750	39	991	9	229
								36	900	45	1143	9	229
								42	1050	51	1295	9	229
								48	1200	57	1448	9	229
								54	1350	63	1600	9.25	235
								60	1500	69	1753	9.25	235
								72	1800	81	2057	9.5	241

Product Ordering Information

DRX™ 750 Impact Beds

4' (1.2 m) Bed CEMA D construction

BELT WIDTH		TONNAGE RATING (ton/hr)	20° TROUGH		35° TROUGH		WT. LBS
in.	mm		ORDERING NUMBER	ITEM CODE	ORDERING NUMBER	ITEM CODE	
24	600	8,100	DRXM-24-420	76848	DRXM-24-435	76864	365.0
30	750	8,100	DRXM-30-420	76849	DRXM-30-435	76865	397.0
36	900	9,500	DRXM-36-420	76850	DRXM-36-435	76866	467.0
42	1050	12,200	DRXM-42-420	76851	DRXM-42-435	76867	592.0
48	1200	13,600	DRXM-48-420	76852	DRXM-48-435	76868	623.0
54	1350	16,300	DRXM-54-420	76853	DRXM-54-435	76869	704.0
60	1500	17,600	DRXM-60-420	76854	DRXM-60-435	76870	779.0
72	1800	19,000	DRXM-72-420	76855	DRXM-72-435	76871	896.0

Lead time: 3 weeks

5' (1.5 m) Bed CEMA D construction

BELT WIDTH		TONNAGE RATING (ton/hr)	20° TROUGH		35° TROUGH		WT. LBS
in.	mm		ORDERING NUMBER	ITEM CODE	ORDERING NUMBER	ITEM CODE	
24	600	8,100	DRXM-24-520	76856	DRXM-24-535	76872	403.0
30	750	8,100	DRXM-30-520	76857	DRXM-30-535	76873	435.0
36	900	9,500	DRXM-36-520	76858	DRXM-36-535	76874	514.0
42	1050	12,200	DRXM-42-520	76859	DRXM-42-535	76875	656.0
48	1200	13,600	DRXM-48-520	76860	DRXM-48-535	76876	687.0
54	1350	16,300	DRXM-54-520	76861	DRXM-54-535	76877	777.0
60	1500	17,600	DRXM-60-520	76862	DRXM-60-535	76878	861.0
72	1800	19,000	DRXM-72-520	76863	DRXM-72-535	76879	985.0

Lead time: 3 weeks

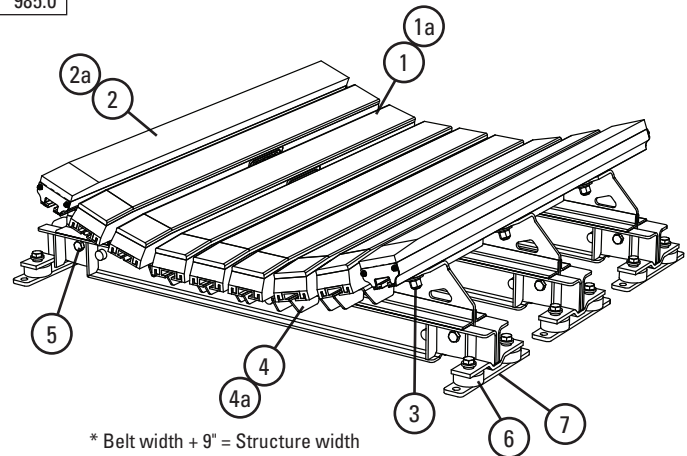
Product Notes:

- Rated for impacts up to 750 lb-ft (100 kg-m)
- Rated for belt speeds up to 1000 FPM (5 m/s)
- Slide-out serviceability
- Velocity Reduction Technology provides multiple points of protection
- Alternative trough angles or picking idler profiles available by special quote

Replacement Parts

REF	DESCRIPTION	ORDERING NUMBER	ITEM CODE	WT. LBS.
1	Impact Bar, 4' (1.2m)	IB4	76926	17.0
1a	Impact Bar, 5' (1.5m)	IB5	76927	21.0
2	Slider Bar, 4' (1.2m)	SB4	78789	20.0
2a	Slider Bar, 5' (1.5m)	SB5	78790	24.1
3	Impact Bar Bolt Kit (incl. (1) ea. 5/8" (15mm) carriage bolt, square washer, flat washer, lock washer, Nylock nut)	IBBK	76928	0.5
4	Impact Bar Support - M 4' (1.2m) (incl. (1) bar support, (2) ea. carriage bolt, square washer, lock washer, Nylock nut)	IBS-M4	76931	16.9
4a	Impact Bar Support - M 5' (1.5m) (incl. (1) bar support, (2) ea. carriage bolt, square washer, lock washer, Nylock nut)	IBS-M5	76932	21.2
5	Sliding Support Arm Bolt Kit (incl. (2) ea. 2" bolt, lock washer, Nylock nut)	ISABK-LMH	77529	2.0
6	Isolation Mount Kit	IMK	76936	3.8
7	DRX750 Shim Kit (incl. 6 shims)	SHIM-KITM	77549	20.4

Lead time: 1 working day



Shim Requirements

IMPACT BED SIZE	CEMA C OR D 5" (125mm) IDLERS	CEMA C OR D 6" (150mm) IDLERS
24-36" (600-900mm)	Shim idler up .5" (12.5mm)	No Kits Required
42-72" (1050-1800mm)	No Kits Required	Use (1) SHIM-KITM; Shim up .5" (12.5mm)

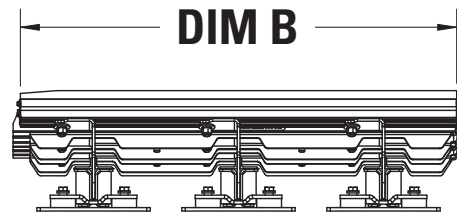
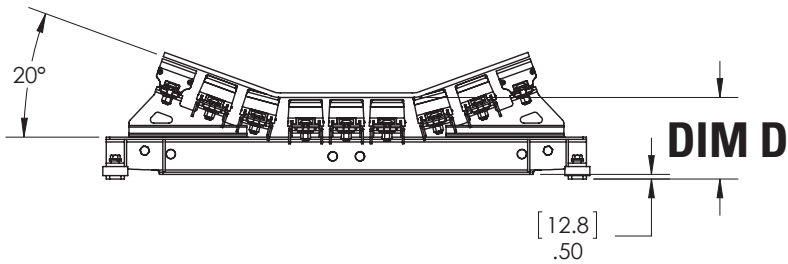
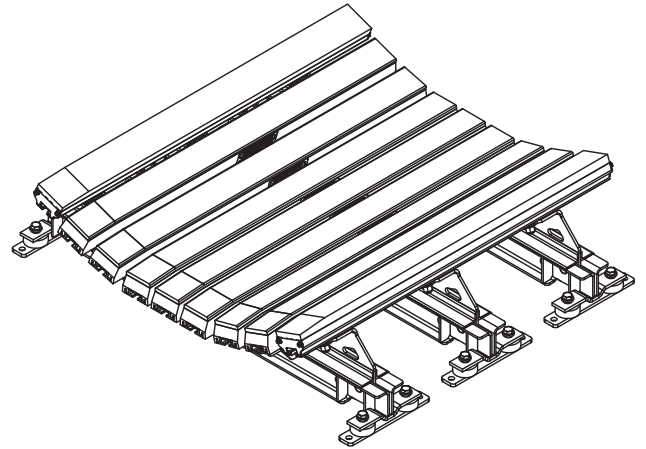
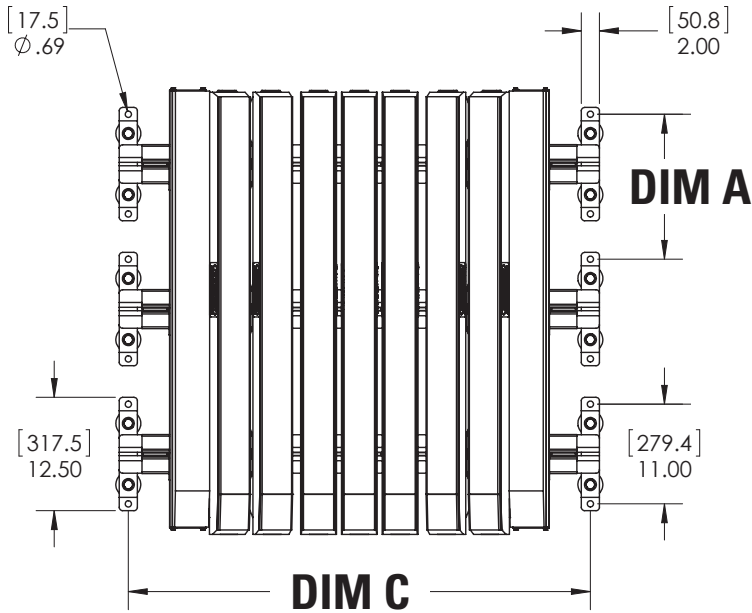
Replacement Quantities per Belt Width for DRX750

	24	30	36	42	48	54	60	72
Slider Bars Required	2	2	2	2	2	2	2	4
Impact Bars Required	4	4	5	7	8	10	11	12
Impact Bar Supports Required	4	4	5	7	8	10	11	12
Impact Bar Bolt Kits Required	26	26	31	41	46	56	61	72

IMPACT BED SIZE	CEMA E 6" (150mm) IDLERS	CEMA E 7" (175mm) IDLERS
36-60" (900-1500mm)	Use (3) SHIM-KITM; Shim up 1.5" (37.5mm)	Use (4) SHIM-KITM; Shim up 2" (50mm)
72" (1800mm)	Use (4) SHIM-KITM; Shim up 2" (50mm)	Use (5) SHIM-KITM; Shim up 2.5" (62.5mm)

Specifications and Guidelines

DRX™ 750
Impact Beds



Bed Length 4' (1.2 m)				Bed Length 5' (1.5 m)				Bed Width		Dim C		Dim D	
Dim A		Dim B		Dim A		Dim B							
in.	mm	in.	mm	in.	mm	in.	mm	in.	mm	in.	mm	in.	mm
16	406.4	48.14	1222.8	22	558.8	58.38	1482.9	24	600	33	838	9	229
								30	750	39	991	9	229
								36	900	45	1143	9	229
								42	1050	51	1295	9	229
								48	1200	57	1448	9	229
								54	1350	63	1600	9.25	235
								60	1500	69	1753	9.25	235
72	1800	81	2057	9.5	241								

Product Ordering Information

DRX™ 1500 Impact Beds

4' (1.2 m) Bed CEMA D construction

BELT WIDTH		TONNAGE RATING (ton/hr)	20° TROUGH		35° TROUGH		WT. LBS
in.	mm		ORDERING NUMBER	ITEM CODE	ORDERING NUMBER	ITEM CODE	
24	600	12,800	DRXH-24-420	76880	DRXH-24-435	76896	503.0
30	750	12,800	DRXH-30-420	76881	DRXH-30-435	76897	545.0
36	900	14,900	DRXH-36-420	76882	DRXH-36-435	76898	628.0
42	1050	19,200	DRXH-42-420	76883	DRXH-42-435	76899	806.0
48	1200	21,300	DRXH-48-420	76884	DRXH-48-435	76900	847.0
54	1350	25,600	DRXH-54-420	76885	DRXH-54-435	76901	977.0
60	1500	27,700	DRXH-60-420	76886	DRXH-60-435	76902	1,066.0
72	1800	29,900	DRXH-72-420	76887	DRXH-72-435	76903	1,210.0

Lead time: 3 weeks

5' (1.5 m) Bed CEMA D construction

BELT WIDTH		TONNAGE RATING (ton/hr)	20° TROUGH		35° TROUGH		WT. LBS
in.	mm		ORDERING NUMBER	ITEM CODE	ORDERING NUMBER	ITEM CODE	
24	600	12,800	DRXH-24-520	76888	DRXH-24-535	76904	558.0
30	750	12,800	DRXH-30-520	76889	DRXH-30-535	76905	601.0
36	900	14,900	DRXH-36-520	76890	DRXH-36-535	76906	692.0
42	1050	19,200	DRXH-42-520	76891	DRXH-42-535	76907	896.0
48	1200	21,300	DRXH-48-520	76892	DRXH-48-535	76908	937.0
54	1350	25,600	DRXH-54-520	76893	DRXH-54-535	76909	1,084.0
60	1500	27,700	DRXH-60-520	76894	DRXH-60-535	76910	1,181.0
72	1800	29,900	DRXH-72-520	76895	DRXH-72-535	76911	1,334.0

Lead time: 3 weeks

Replacement Parts

REF	DESCRIPTION	ORDERING NUMBER	ITEM CODE	WT. LBS.
1	Impact Bar, 4' (1.2m)	IB4	76926	17.0
1a	Impact Bar, 5' (1.5m)	IB5	76927	21.0
2	Slider Bar, 4' (1.2m)	SB4	78789	20.0
2a	Slider Bar, 5' (1.5m)	SB5	78790	24.1
3	Impact Bar Bolt Kit (incl. (1) ea. 5/8" (15mm) carriage bolt, square washer, flat washer, lock washer, Nylock nut)	IBBK	76928	0.5
4	Impact Bar Support - H 4' (1.2m) (incl. (1) bar support, (2) ea. carriage bolt, square washer, lock washer, Nylock nut)	IBS-H4	76933	16.6
4a	Impact Bar Support - H 5' (1.5m) (incl. (1) bar support, (2) ea. carriage bolt, square washer, lock washer, Nylock nut)	IBS-H5	76934	21.0
5	Sliding Support Arm Bolt Kit (incl. (2) ea. 2" bolt, lock washer, Nylock nut)	ISABK-LMH	77529	2.0
6	Isolation Mount Kit	IMK	76936	3.8
7	DRX1500 Shim Kit (incl. 8 shims)	SHIM-KITH	77550	27.2

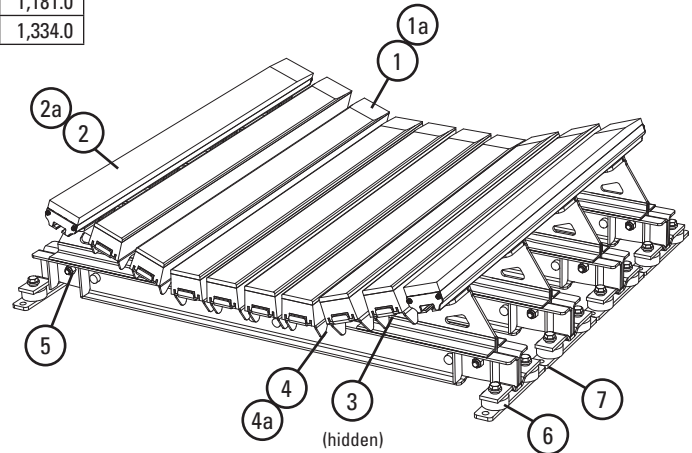
Lead time: 1 working day

Replacement Quantities per Belt Width for DRX1500

	24	30	36	42	48	54	60	72
in.	24	30	36	42	48	54	60	72
mm	600	750	900	1050	1200	1350	1500	1800
Slider Bars Required	2	2	2	2	2	2	2	4
Impact Bars Required	4	4	5	7	8	10	11	12
Impact Bar Supports Required	4	4	5	7	8	10	11	12
Impact Bar Bolt Kits Required	32	32	38	50	56	68	74	88

Product Notes:

- Rated for impacts up to 1500 lb-ft (200 kg-m)
- Rated for belt speeds up to 1000 FPM (5 m/s)
- Slide-out serviceability
- Velocity Reduction Technology provides multiple points of protection
- Alternative trough angles or picking idler profiles available by special quote



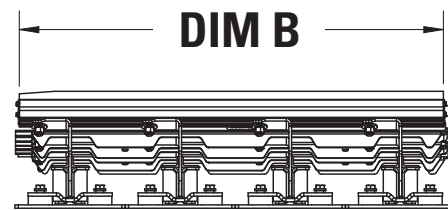
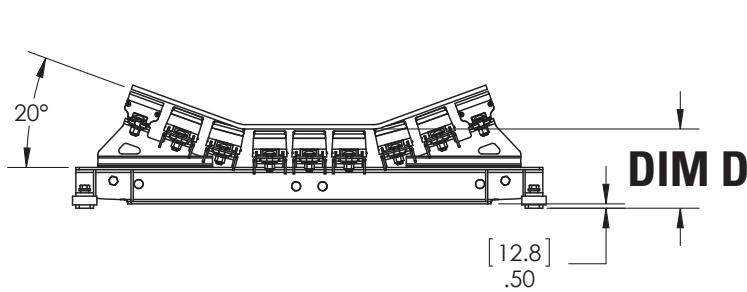
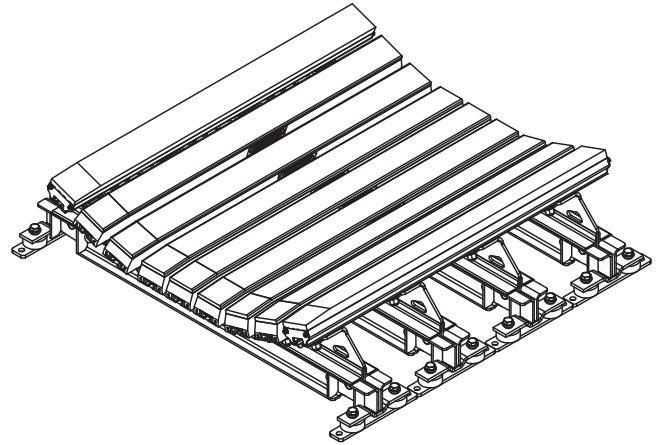
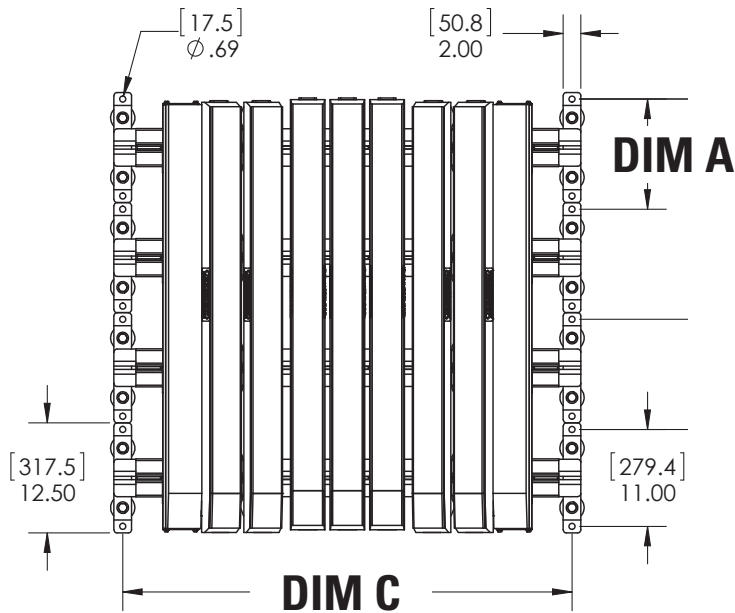
Shim Requirements

IMPACT BED SIZE	CEMA C OR D 5" (125mm) IDLERS	CEMA C OR D 6" (150mm) IDLERS
24-36" (600-900mm)	Shim idler up .5" (12.5mm)	No Kits Required
42-72" (1050-1800mm)	No Kits Required	Use (1) SHIM-KITH; Shim up .5" (12.5mm)

IMPACT BED SIZE	CEMA E 6" (150mm) IDLERS	CEMA E 7" (175mm) IDLERS
36-60" (900-1500mm)	Use (3) SHIM-KITH; Shim up 1.5" (37.5mm)	Use (4) SHIM-KITH; Shim up 2" (50mm)
72" (1800mm)	Use (4) SHIM-KITH; Shim up 2" (50mm)	Use (5) SHIM-KITH; Shim up 2.5" (62.5mm)

Specifications and Guidelines

DRX™ 1500
Impact Beds



Bed Length 4' (1.2 m)				Bed Length 5' (1.5 m)				Bed Width		Dim C		Dim D	
Dim A		Dim B		Dim A		Dim B							
in.	mm	in.	mm	in.	mm	in.	mm	in.	mm	in.	mm	in.	mm
12.5	317.5	48.14	1222.8	16	406.4	58.38	1482.9	24	600	33	838	9	229
								30	750	39	991	9	229
								36	900	45	1143	9	229
								42	1050	51	1295	9	229
								48	1200	57	1448	9	229
								54	1350	63	1600	9.25	235
								60	1500	69	1753	9.25	235
								72	1800	81	2057	9.5	241

Product Ordering Information

DRX™ 3000
Dynamic Beds

5' (1.5 m) Bed CEMA E construction

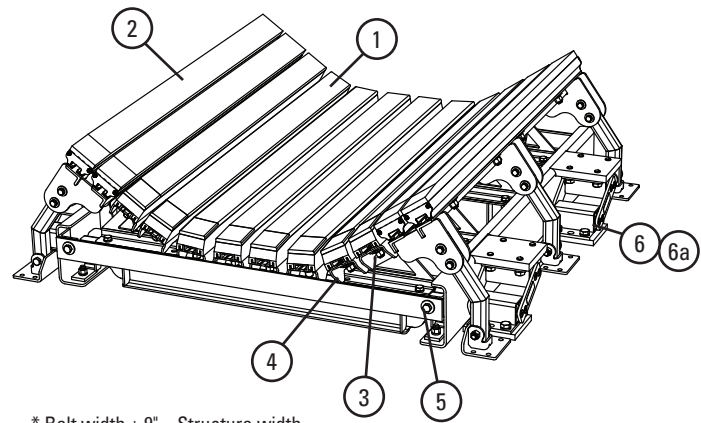
BELT WIDTH		TONNAGE RATING (ton/hr)	20° TROUGH		35° TROUGH		WT. LBS
in.	mm		ORDERING NUMBER	ITEM CODE	ORDERING NUMBER	ITEM CODE	
36	900	22,300	DRXD-36-520	115010	DRXD-36-535	115011	1,286.0
42	1050	28,700	DRXD-42-520	76912	DRXD-42-535	76919	1,351.0
48	1200	31,900	DRXD-48-520	76913	DRXD-48-535	76920	1,407.0
54	1350	38,300	DRXD-54-520	76914	DRXD-54-535	76921	1,568.0
60	1500	41,500	DRXD-60-520	76915	DRXD-60-535	76922	1,676.0
72	1800	44,700	DRXD-72-520	76916	DRXD-72-535	76923	2,098.0
84	2100	51,100	DRXD-84-520	76917	DRXD-84-535	76924	2,261.0
96	2400	63,900	DRXD-96-520	76918	DRXD-96-535	76925	2,609.0

Lead time: 4 weeks

Replacement Parts

REF	DESCRIPTION	ORDERING NUMBER	ITEM CODE	WT. LBS.
1	Impact Bar, 5' (1.5m) (1/2" (12.5 mm) UHMWV)	IB5	76927	21.2
2	Slider Bar, 5' (1.5m)	SB5	78790	24.1
3	Impact Bar Bolt Kit (incl. (1) ea. 5/8" (15mm) carriage bolt, square washer, flat washer, lock washer, Nylock nut)	IBBK	76928	0.5
4	Impact Bar Support - D 5' (1.5m) (incl. (1) bar support, (2) ea. carriage bolt, square washer, lock washer, Nylock nut)	IBS-D5	77530	21.0
5	Sliding Support Arm Bolt Kit (incl. (4) 1-1/2" bolt, (2) 2" bolt, (6) ea. lock washer, Nylock nut)	ISABK	76935	2.0
6	Impact Energy Absorber for sizes 36-60" (900-1500mm)	IEA-36-60	76937	42.0
6a	Impact Energy Absorber for sizes 72-96" (1800-2400mm)	IEA-72-96	76938	66.0

Lead time: 1 working day



* Belt width + 9" = Structure width

Replacement Quantities per Belt Width for DRX3000

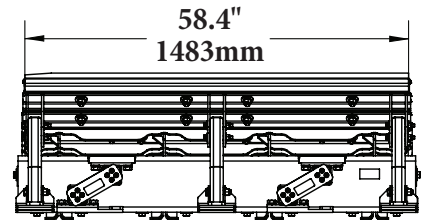
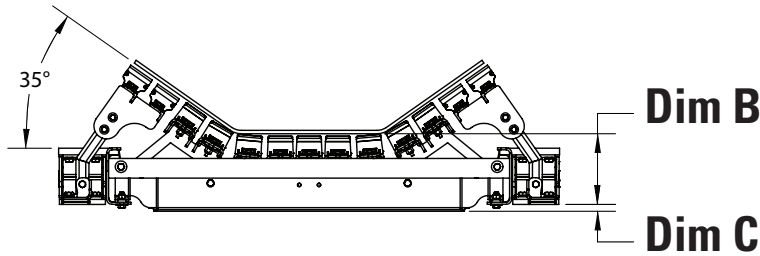
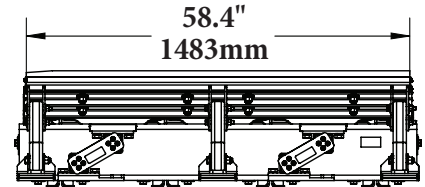
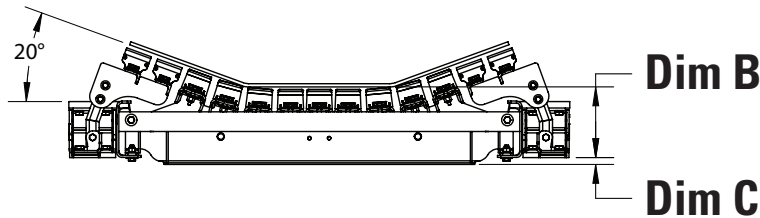
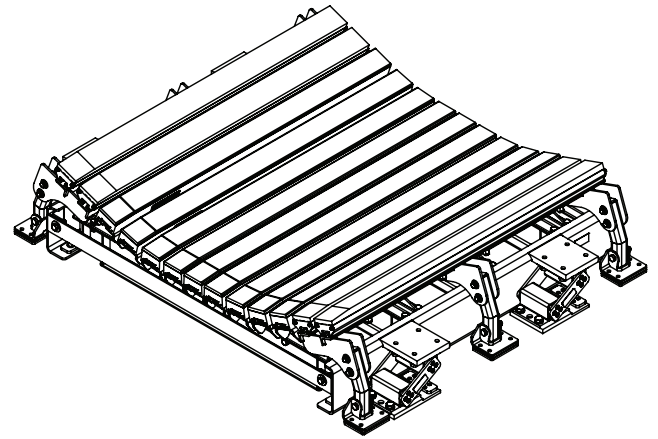
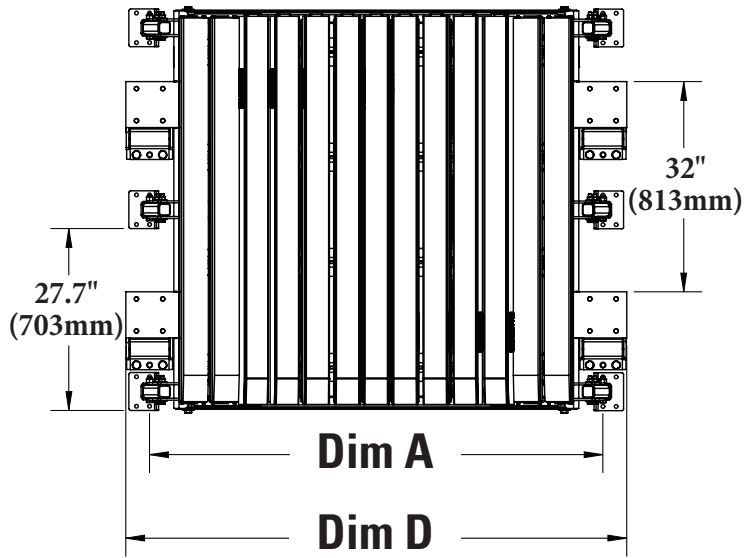
in.	36	42	48	54	60	72	84	96
mm	900	1050	1200	1350	1500	1800	2100	2400
Slider Bars Required	2	2	2	4	4	4	4	4
Impact Bars Required	5	8	8	8	9	12	12	16
Impact Bar Supports Required	5	8	8	8	9	12	12	16
Impact Bar Bolt Kits Required	43	56	56	64	70	88	88	112

Product Notes:

- For extreme impact applications up to 3000 lb-ft (lump size x drop height).
- Rated for belt speeds up to 1000 FPM (5 m/s).
- Impact Energy Absorbers compress up to 3" (75 mm) to absorb extreme impact energy to minimize damaging forces and protect the belt.
- Alternative trough angles or picking idler profiles available by special quote.

Specifications and Guidelines

DRX™ 3000
Dynamic Beds



Bed Width		Dim A		Dim B		Dim C		Dim D	
in.	mm	in.	mm	in.	mm	in.	mm	in.	mm
36	900	45	1143.0	10.75	273	1.05	26.6	52.25	1327.2
42	1050	51	1295.4	10.75	273	1.09	27.7	58.25	1479.6
48	1200	57	1447.8	10.75	273	1.09	27.7	64.25	1632.0
54	1350	63	1600.2	10.75	273	1.09	27.7	70.25	1784.4
60	1500	69	1752.6	10.75	273	1.09	27.7	76.25	1936.8
72	1800	81	2057.4	11.50	292.1	1.15	29.1	90.25	2292.4
84	2100	93	2362.2	11.75	298.5	1.15	29.1	102.25	2597.2
96	2400	105	2667.0	11.75	298.5	1.15	29.1	114.25	2902.0

Product Ordering Information

DRX™ 4500
Dynamic Beds

5' (1.5 m) Bed CEMA E construction

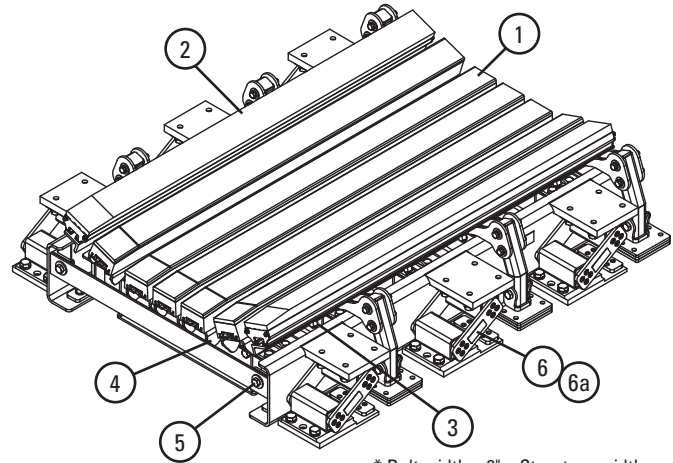
BELT WIDTH		TONNAGE RATING (ton/hr)	20° TROUGH		35° TROUGH		WT. LBS
in.	mm		ORDERING NUMBER	ITEM CODE	ORDERING NUMBER	ITEM CODE	
36	900	22,300	DRXDX-36-520	107569	DRXDX-36-535	107570	1,642.2
42	1050	28,700	DRXDX-42-520	107572	DRXDX-42-535	107573	1,923.1
48	1200	31,900	DRXDX-48-520	107575	DRXDX-48-535	107576	1,996.3
54	1350	38,300	DRXDX-54-520	107578	DRXDX-54-535	107579	2,174.0
60	1500	41,500	DRXDX-60-520	107581	DRXDX-60-535	107582	2,317.1
72	1800	44,700	DRXDX-72-520	107584	DRXDX-72-535	107585	2,927.5
84	2100	51,100	DRXDX-84-520	107587	DRXDX-84-535	107588	3,124.4
96	2400	63,900	DRXDX-96-520	107590	DRXDX-96-535	107591	3,576.3

Lead time: 4 weeks

Replacement Parts

REF	DESCRIPTION	ORDERING NUMBER	ITEM CODE	WT. LBS.
1	Impact Bar, 5' (1.5m) (1/2" (12.5 mm) UHMW)	IB5	76927	21.2
2	Slider Bar, 5' (1.5m)	SB5	78790	24.1
3	Impact Bar Bolt Kit (incl. (1) ea. 5/8" (15mm) carriage bolt, square washer, flat washer, lock washer, Nylock nut)	IBBK	76928	0.5
4	Impact Bar Support - DX 5' (1.5m) (incl. (1) bar support, (2) ea. carriage bolt, square washer, lock washer, Nylock nut)	IBS-DX5	111728	21.0
5	Sliding Support Arm Bolt Kit (incl. (4) 1-1/2" bolt, (2) 2" bolt, (6) ea. lock washer, Nylock nut)	ISABK	76935	2.0
6	Impact Energy Absorber for sizes 36-60" (900-1500mm)	IEA-36-60	76937	42.0
6a	Impact Energy Absorber for sizes 72-96" (1800-2400mm)	IEA-72-96	76938	66.0

Lead time: 1 working day



* Belt width + 9" = Structure width

Replacement Quantities per Belt Width for DRX4500

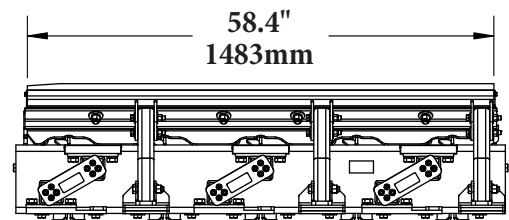
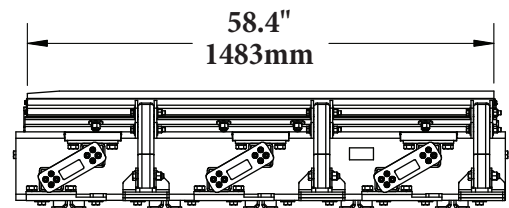
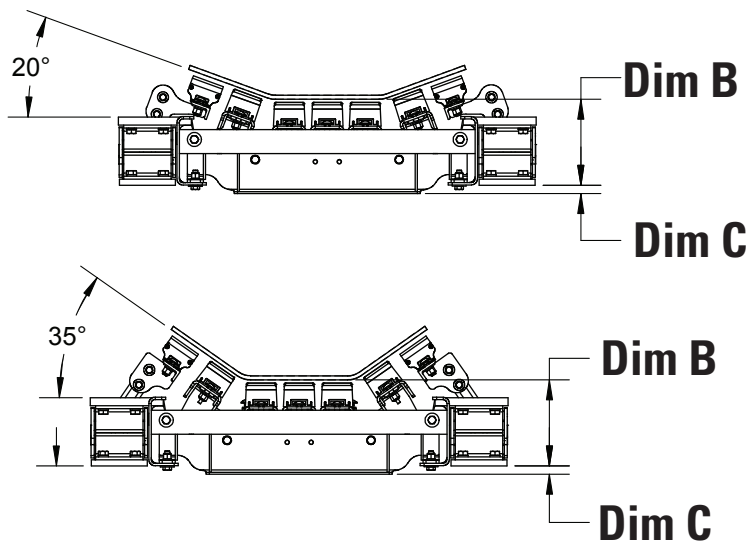
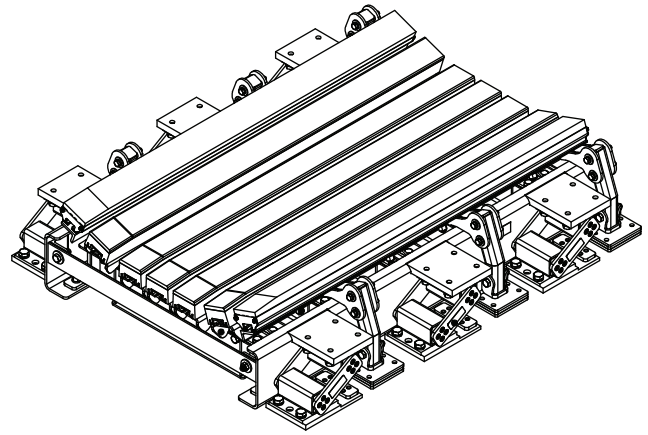
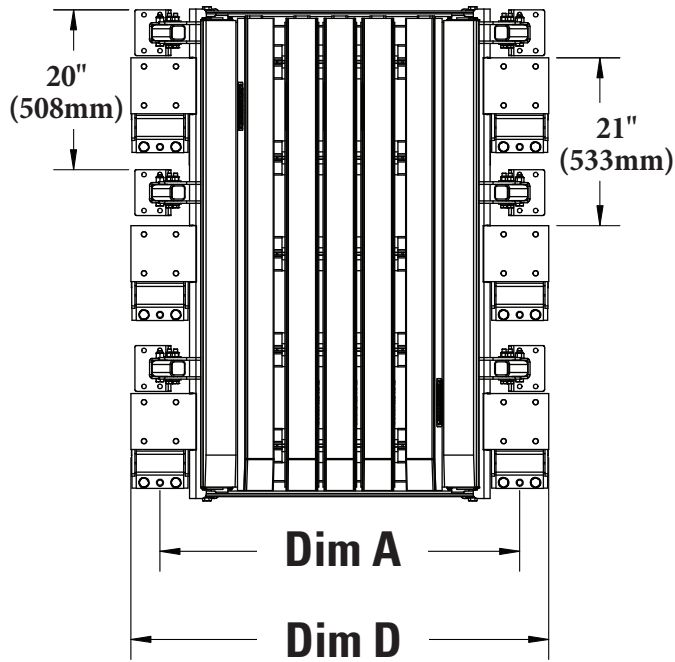
in.	36	42	48	54	60	72	84	96
mm	900	1050	1200	1350	1500	1800	2100	2400
Slider Bars Required	2	2	2	4	4	4	4	4
Impact Bars Required	5	8	8	8	9	12	12	16
Impact Bar Supports Required	5	8	8	8	9	12	12	16
Impact Bar Bolt Kits Required	48	72	80	88	112	112	144	112

Product Notes:

- For extreme impact applications up to 4500 lb-ft (lump size x drop height).
- Rated for belt speeds up to 1000 FPM (5 m/s).
- Impact Energy Absorbers compress up to 3" (75 mm) to absorb extreme impact energy to minimize damaging forces and protect the belt.
- Alternative trough angles or picking idler profiles available by special quote.

Specifications and Guidelines

DRX™ 4500
Dynamic Beds



Bed Width		Dim A		Dim B		Dim C		Dim D	
in.	mm	in.	mm	in.	mm	in.	mm	in.	mm
36	900	45	1143.0	10.75	273.1	1.05	26.6	52.25	1327.2
42	1050	51	1295.4	10.75	273.1	1.05	26.6	58.25	1479.6
48	1200	57	1447.8	10.75	273.1	1.05	26.6	64.25	1632.0
54	1350	63	1600.2	10.75	273.1	1.05	26.6	70.25	1784.4
60	1500	69	1752.6	10.75	273.1	1.05	26.6	76.25	1936.8
72	1800	81	2057.4	11.50	292.1	1.10	27.9	90.25	2292.4
84	2100	93	2362.2	11.75	298.5	1.10	27.9	102.25	2597.2
96	2400	105	2667.0	11.75	298.5	1.10	27.9	114.25	2902.0

Product Ordering Information

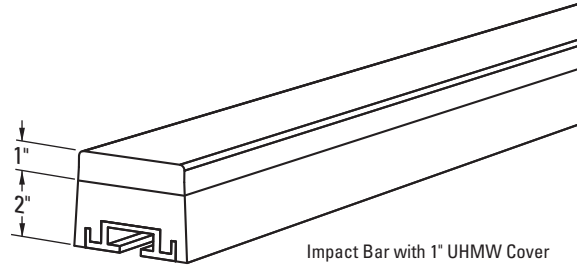
DRX™ Impact Beds Optional Parts and Tools

Impact Bars with 1" UHMW

For impact beds that have heavy abrasive wear on the impact bars.

DESCRIPTION	ORDERING NUMBER	ITEM CODE	WT. LBS.
4' Impact Bar with 1" UHMW	IB4-1U	76965	17.0
5' Impact Bar with 1" UHMW	IB5-1U	76966	21.2

Lead time: 1 working day



Impact Bar with 1" UHMW Cover

Impact Bar Bolt Kit for Other OEM Impact Beds*

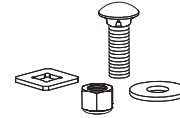
1/2" carriage bolt, square washer, flat washer and Nylock nut to mount DRX Impact Bars on other OEM beds that use 1/2" T-bolts.

Count cross stringers on OEM bed (example: 3 cross stringers require 3 Bolt Kits per impact bar)

DESCRIPTION	ORDERING NUMBER	ITEM CODE	WT. LBS.
OEM Impact Bar Bolt Kit	OIBBK	76950	0.5

*Kit includes (1) ea. bolt, square washer, flat washer, and Nylock nut.

Lead time: 1 working day



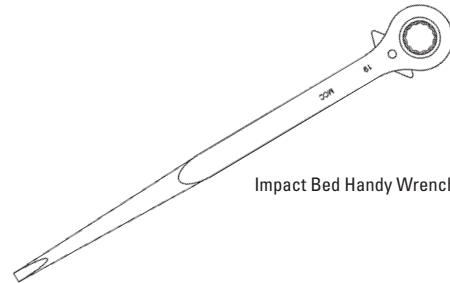
Optional Impact Bar Bolt Kit

Impact Bed Handy Wrench

A ratcheting wrench with 2 common socket sizes: 3/4 & 15/16" (19 & 24 mm) for installation and maintenance of impact beds.

DESCRIPTION	ORDERING NUMBER	ITEM CODE	WT. LBS.
Impact Bed Handy Wrench	HW-IMPB	76939	1.6

Lead time: 1 working day

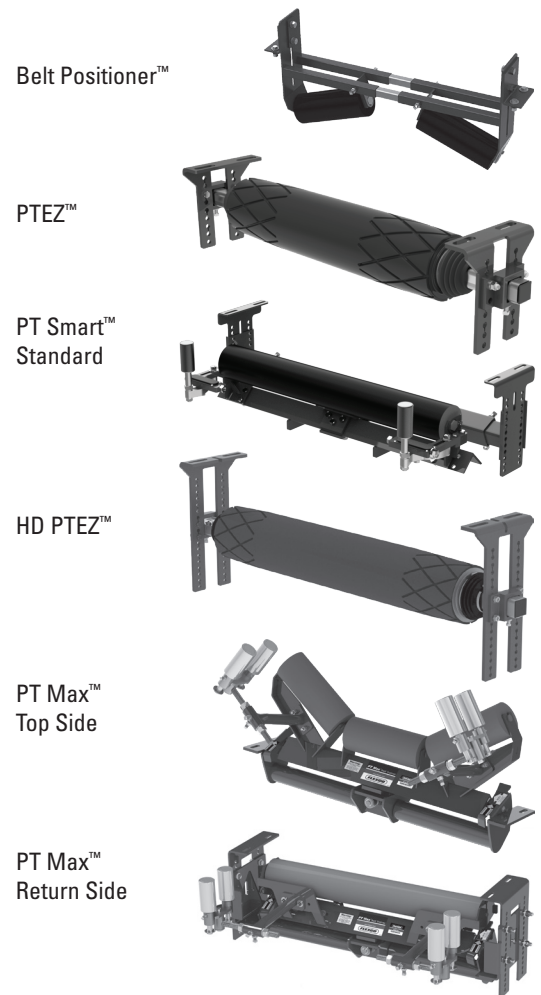


Impact Bed Handy Wrench

Selection Guidelines

Belt Tracking Products

MODEL	APPLICATION RANGE
Belt Positioner™	Return side only, 800 PIW max tension on Small, Medium, and Large; 1200 PIW max tension on Extra Large. Also works on reversing belts.
PTEZ™	Medium-duty belts up to 1600 PIW max tension. Also works on reversing belts. Belt width 18–48" (450–1200 mm).
PT Smart™	Medium-duty belts up to 1600 PIW max tension. Belt width 42–84" (1050–2100 mm). Belt thickness 1" (25 mm) maximum.
HD PTEZ™	Medium-duty belts up to 2400 PIW max tension. Belt widths + 9" (225 mm) idler. Belt thickness 1" (25 mm) maximum. Also works on reversing belts.
PT Max™	Heavy-duty belts up to 3000 PIW max. Generally 3/4–1" thick (19–25 mm). Belt width 24–60" (600–1500 mm).
HD PT Max™	Heavy-duty belts up to 6000 PIW max tension. Belt width 54–84" (1350–2100 mm).



Conveyor Criteria	Belt Positioner™	PTEZ™	Heavy Duty PTEZ™	PT Smart™	PT Max™	Heavy Duty PT Max™	Super Duty PT Max™
Top side mistracking	No	No	No	No	Yes	Yes	Yes
Return side mistracking	Yes	Yes	Yes	Yes	Yes	Yes	Yes
Reversing	Yes	Yes	Yes	No	No	No	No
Belt mistracking to one side	Better	Better	Better	Better	Better	Better	Better
Belt mistracking to both sides	Acceptable	Better	Better	Best	Best	Best	Best
Inconsistent tracking problem	Good	Better	Better	Best	Best	Best	Best
Belt is cupped (heavy)	Best ‡	Better‡	Better‡	Better	Better	Better	Better
Belt has edge damage	Best	Best	Best	Good	Good	Good	Good
Ease of Installation	Best	Better	Better	Good	Good	Good	Good
Belt has low running tension (150–300 PIW)	Good	Good	Good	Good	Good	N/A	N/A
Belt has medium running tension (300–1600 PIW)	Better	Better	Better	Better	Best	Best	Best
Belt has high running tension (1600+ PIW)	N/A	N/A	N/A	N/A	Better	Best	Best
Approx. "upstream" effect*Δ	50' (15 m)	20' (6 m)	20' (6 m)	20' (6 m)	50' (15 m)	50' (15 m)	50' (15 m)
Approx. "downstream" effect*Δ	50' (15 m)	100–120' (30–36 m)	100–120' (30–36 m)	120–150' (36–45 m)	150–200' (45–61 m)	150–200' (45–61 m)	150–200' (45–61 m)

‡ Installed on the clean side of the return belt

* Typical results; actual results may vary

Δ Disc idlers have the potential to reduce these numbers

Product Ordering Information

Belt Positioner™



Belt Positioner™

SIZE	BELT WIDTH (Min–Max)		POSITIONER WIDTH (Min–Max)		RUBBER ROLLERS			STEEL ROLLERS		
	in.	mm	in.	mm	ORDERING NUMBER	ITEM CODE	WT. LBS.	ORDERING NUMBER	ITEM CODE	WT. LBS.
Small	18–24	450–600	24–34	600–850	RBP1R-S	90646	60.5	RBP1S-S	74558	69.8
Medium	30–48	750–1200	34–56	850–1400	RBP1R-M	90647	73.5	RBP1S-M	74559	84.6
Large	54–72	1350–1800	56–83	1400–2075	RBP1R-L	90648	94.0	RBP1S-L	74560	109.5
Extra Large	72–96	1800–2400	72–120	1800–3000	RBP1R-XL	90649	182.0	RBP1S-XL	74561	199.6

Lead time: 1 working day

Use next larger size for belt widths between ranges.

NOTE: Idler Rollers on sizes S, M, and L are 5" (125 mm) diameter and rated CEMA D, Idler Rollers on the XL size are 6" (150 mm) diameter and rated CEMA E.

Product Notes:

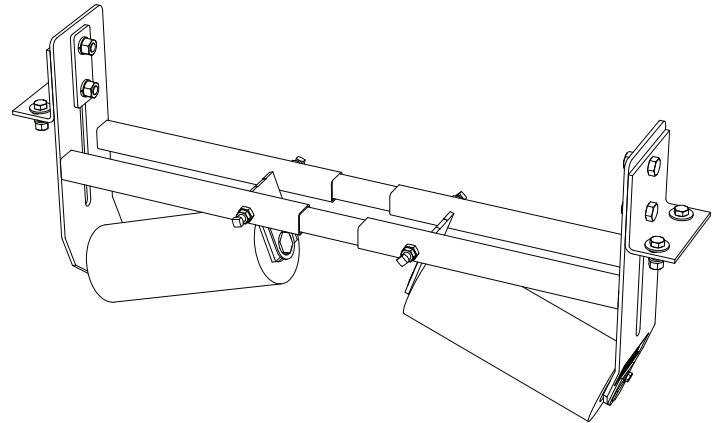
- The Positioner should be centered between two standard return rollers. For general applications – standard belts up to 72" (1800 mm): position the unit no closer than 3' (.9 m) to a return roller and no farther than 6' (1.8 m).
- Works on the return side of the conveyor using simple angled rollers mounted in a fixed position to quickly and continuously funnel the belt into the correct path.
- A "quick fix" solution for belts that consistently wander to one side.
- Typically installed before the tail pulley to keep the belt centered at the critical loading point. Center loading is the key to solving many top side tracking problems.
- Idler rollers make smooth contact with the return belt's bottom cover, eliminating excessive wear and damage to the belt's edges.
- Has no pivoting mechanism to freeze up and cause the unit to stop working.
- Once installed, no further adjustment is required.

Specifications & Guidelines

Belt Width Specifications

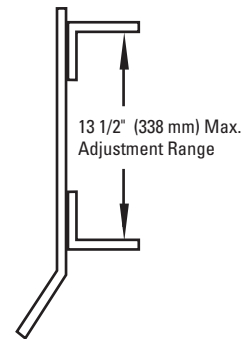
SIZE	BELT WIDTH (Min-Max)		POSITIONER WIDTH (Min-Max)	
	in.	mm	in.	mm
Small	18–24	450–600	24–34	600–850
Medium	30–48	750–1200	34–56	850–1400
Large	54–72	1350–1800	56–83	1400–2075
Extra Large	72–96	1800–2400	72–120	1800–3000

Use next larger size for belt widths between ranges.



Application Guidelines:

- Belt SpliceMechanically Fastened/Vulcanized
- Belt Speed1000 FPM (5 m/s)
- Belt DirectionReversing



Roller Specifications

SPECIFICATION	Rubber	Steel
Material	STEEL and 3/8" RUBBER	STEEL
Durometer	60	N/A
Rating	CEMA D (XL is CEMA E)	CEMA D (XL is CEMA E)
Bearings	6305 Sealed Ball Bearing	6305 Sealed Ball Bearing
Shaft Diameter	1" (25mm)	1" (25mm)
Wall Thickness	9 Gauge (.148) (XL - 1/4")	9 Gauge (.148) (XL - 1/4")
Specific Gravity	Over 1	Over 1
Working Temperature	-4 to 220°F	-4 to 220°F
	-20 to 104°C	-20 to 104°C
Grease & Chemical Resistance	Good	Good
Sticky Material Performance	Excellent	Good

Roller Dimensions

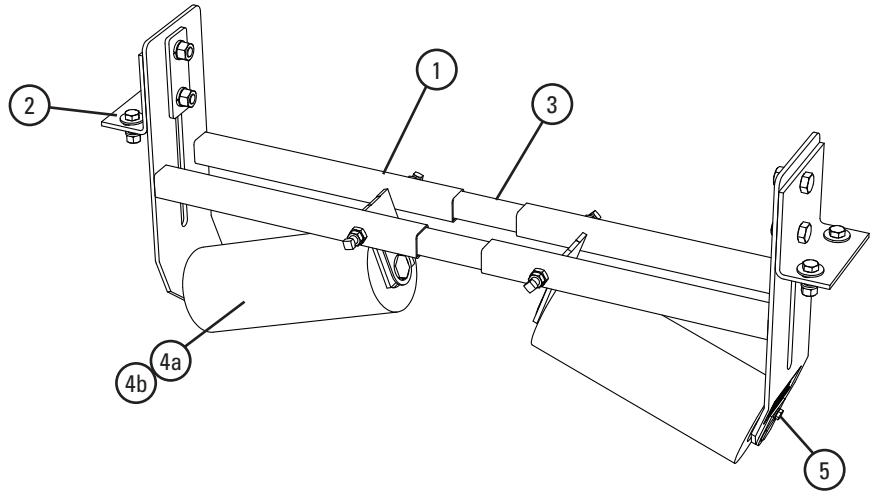
SIZE	LENGTH		DIAMETER	
	in.	mm	in.	mm
Small	9	225	5	125
Medium	13	325	5	125
Large	19	475	5	125
Extra Large	21	525	6	150

Product Notes:

- Optimal location: no closer than 3' (.9 m) and no further than 6' (1.8 m) from a return roller.
- All rollers are "sealed for life". No regreasing maintenance is required.
- MSHA approved.

Replacement Parts List

Belt Positioner™



Replacement Parts

REF	DESCRIPTION	BELT WIDTH (Min-Max)		ORDERING NUMBER	ITEM CODE	WT. LBS.
		in.	mm			
1	Small Frame Kit* (1 ea.)	18-24	450-600	RBPFK-S	75522	12.5
	Medium Frame Kit* (1 ea.)	30-48	750-1200	RBPFK-M	75523	14.5
	Large Frame Kit* (1 ea.)	54-72	1350-1800	RBPFK-L	75524	19.5
	Extra Large Frame Kit* (1 ea.)	72-96	1800-2400	RBPFK-XL	75525	28.5
2	Mounting Bracket Kit* (1 ea.)			RBPMBK	75526	6.0
3	Small Inner Tube (1 ea.)	18-24	450-600	RPBIT-S	75527	3.0
	Medium Inner Tube (1 ea.)	30-48	750-1200	RPBIT-M	75528	4.5
	Large Inner Tube (1 ea.)	54-72	1350-1800	RPBIT-L	75529	6.5
	Extra Large Inner Tube (1 ea.)	72-96	1800-2400	RPBIT-XL	75530	9.0

*Hardware included
Lead time: 1 working day

Replacement Rollers

REF	DESCRIPTION	ORDERING NUMBER	ITEM CODE	WT. LBS.
4a	Small Rubber Roller	RBPRR-S	90650	7.9
	Medium Rubber Roller	RBPRR-M	90651	11.0
	Large Rubber Roller	RBPRR-L	90652	15.5
	Extra Large Rubber Roller	RBPRR-XL	90653	27.8
4b	Small Steel Roller	RBPSR-S	74562	12.2
	Medium Steel Roller	RBPSR-M	74563	16.5
	Large Steel Roller	RBPSR-L	74564	23.2
	Extra Large Steel Roller	RBPSR-XL	74565	36.6
5	Roller Retainer Kit (incl. 1 retainer and hardware)	RBPRET	73163	0.5

Lead time: 1 working day

Idler rollers on sizes S, M, and L are 5" (125 mm) diameter and rated CEMA D.

Idler rollers on the XL size are 6" (150 mm) diameter and rated CEMA E.

*Roller Retainer Kit not required for XL rollers (SDX style).

Product Ordering Information

PTEZ™

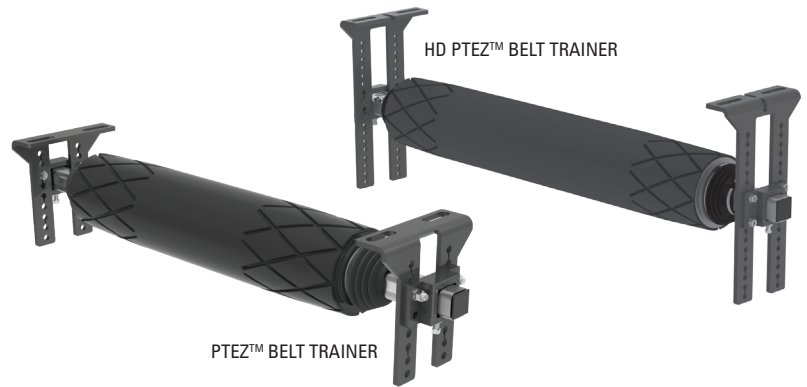
BELT WIDTH		ORDERING NUMBER	ITEM CODE	WT. LBS.
in.	mm			
18	450	PTEZ-18	90265	120.0
24	600	PTEZ-24	90266	130.0
30	750	PTEZ-30	90267	140.0
36	900	PTEZ-36	90268	150.0
42	1050	PTEZ-42	90269	160.0
48	1200	PTEZ-48	90270	170.0

Lead time: 1 working day

HD PTEZ™

BELT WIDTH		ORDERING NUMBER	ITEM CODE	WT. LBS.
in.	mm			
42	1050	PTEZHD-42/1050	90616	228.0
48	1200	PTEZHD-48/1200	90617	252.0
54	1350	PTEZHD-54/1350	90618	277.0
56	1400	PTEZHD-56/1400	90795	285.0
60	1500	PTEZHD-60/1500	90619	301.0
64	1600	PTEZHD-64/1600	90796	317.0
72	1800	PTEZHD-72/1800	90620	349.0
80	2000	PTEZHD-80/2000	90797	382.0
84	2100	PTEZHD-84/2100	90621	398.0

Lead time: 1 working day



HD PTEZ™ Underground Structure

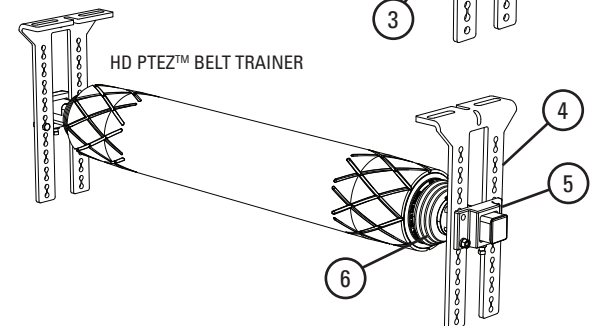
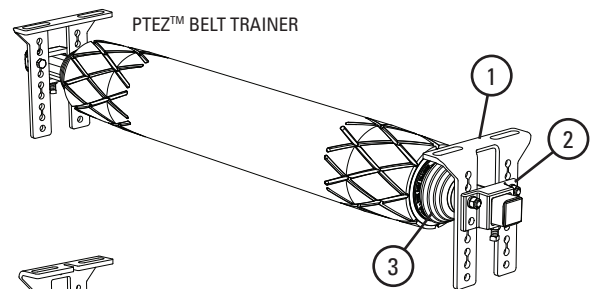
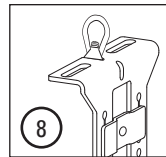
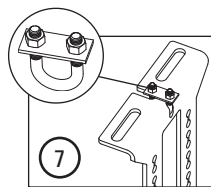
BELT WIDTH		ORDERING NUMBER	ITEM CODE	WT. LBS.
in.	mm			
42	1050	PTEZHD-42/1050-UG	90798	230.0
48	1200	PTEZHD-48/1200-UG	90799	254.0
54	1350	PTEZHD-54/1350-UG	90800	279.0
60	1500	PTEZHD-60/1500-UG	90801	303.0
72	1800	PTEZHD-72/1800-UG	90802	351.0

Lead time: 1 working day

Product Notes:

- Simple adjustable mounting brackets ensure quick and accurate installation.
- Urethane roller cover ensures long-lasting performance.
- Works in multiple applications, yet economical. Single-direction and reversing belts. Wet or dry conditions. Belts with edge damage or wear. Belts mistracking to one or both sides.
- Easy ordering and installation. Enhanced to meet instant demands for training solutions, the PTEZ™ is available on a one-working-day lead time. The simple brackets and component construction also ensure a quick and easy installation.
- Uses tapered and patterned roller to activate the trainer movement. Pivot influences direction while Tilt increases the tension on the mistracked side – the result is two forces quickly moving the belt back to center.
- Works with mechanically fastened or vulcanized belts.

Replacement Parts List



PTEZ™ Replacement Parts

REF	DESCRIPTION	ORDERING NUMBER	ITEM CODE	WT. LBS.
1	PTEZ Mounting Bracket Kit (2 ea.)	PTEZMB	90351	8.0
2	PTEZ Pole Bracket Kit (2 ea.)	PTEZPB	90352	6.0
3	PTEZ Dust Cover Kit (2 ea.)	PTEZDC	90353	1.0
4	PTEZ HD Mount Bracket Kit (2 ea.)	PTEZHD-MBK	90803	19.0
5	PTEZ HD Pole Bracket Kit (2 ea.)	PTEZHD-PBK	90804	8.0
6	PTEZ HD Dust Cover Kit (2 ea.)	PTEZHD-DCK	90805	1.0
7	PTEZ HD Wire Rope Bolt Kit (2 ea.)	PTEZHD-WRBK	90806	1.0
8	PTEZ HD J Bolt Bracket Kit (2 ea.)	PTEZHD-JBBK	90807	2.0

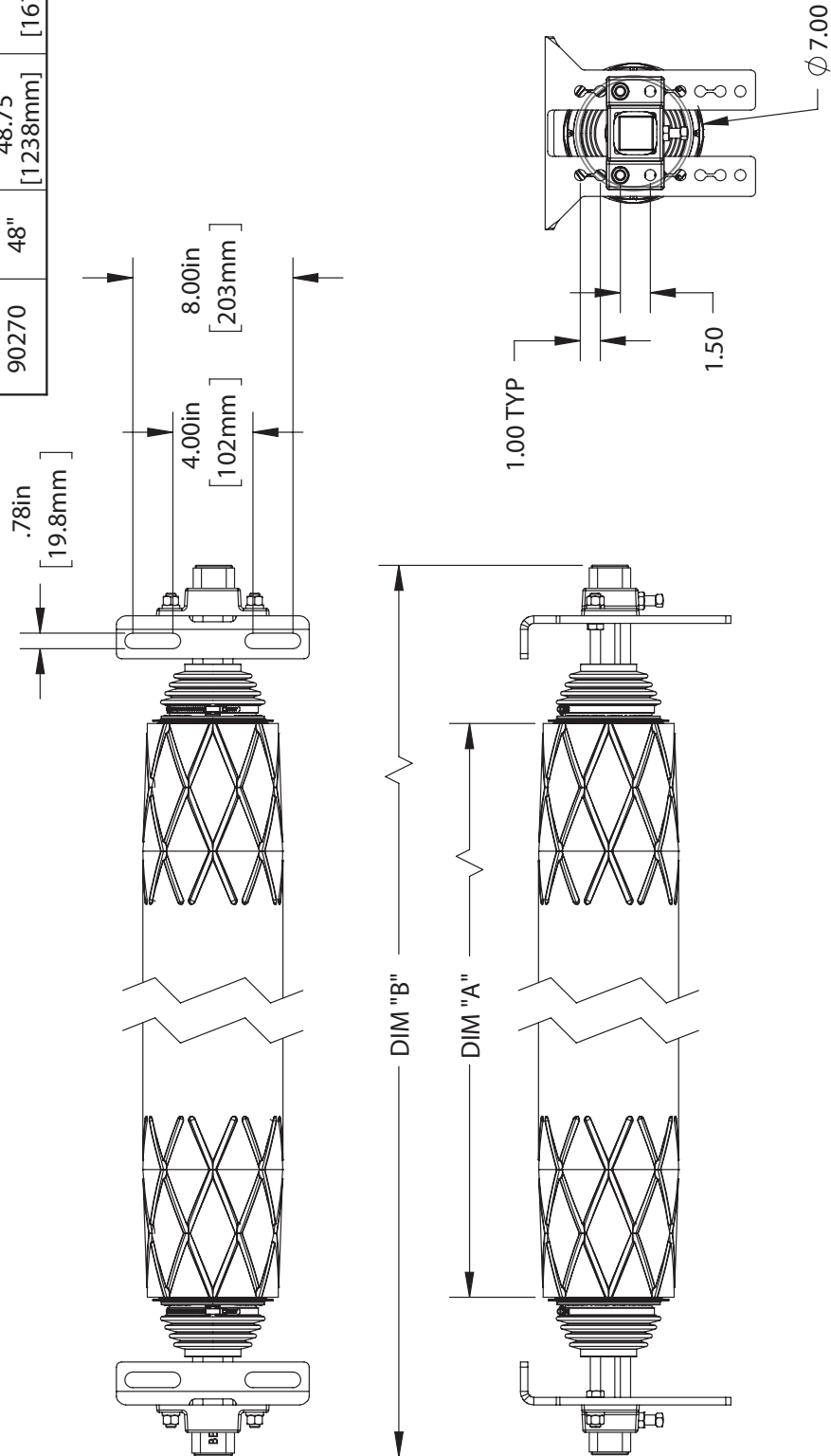
Lead time: 1 working day

*Bracket set for 1 roller

Specifications & Guidelines

PTEZ™
Belt Trainer

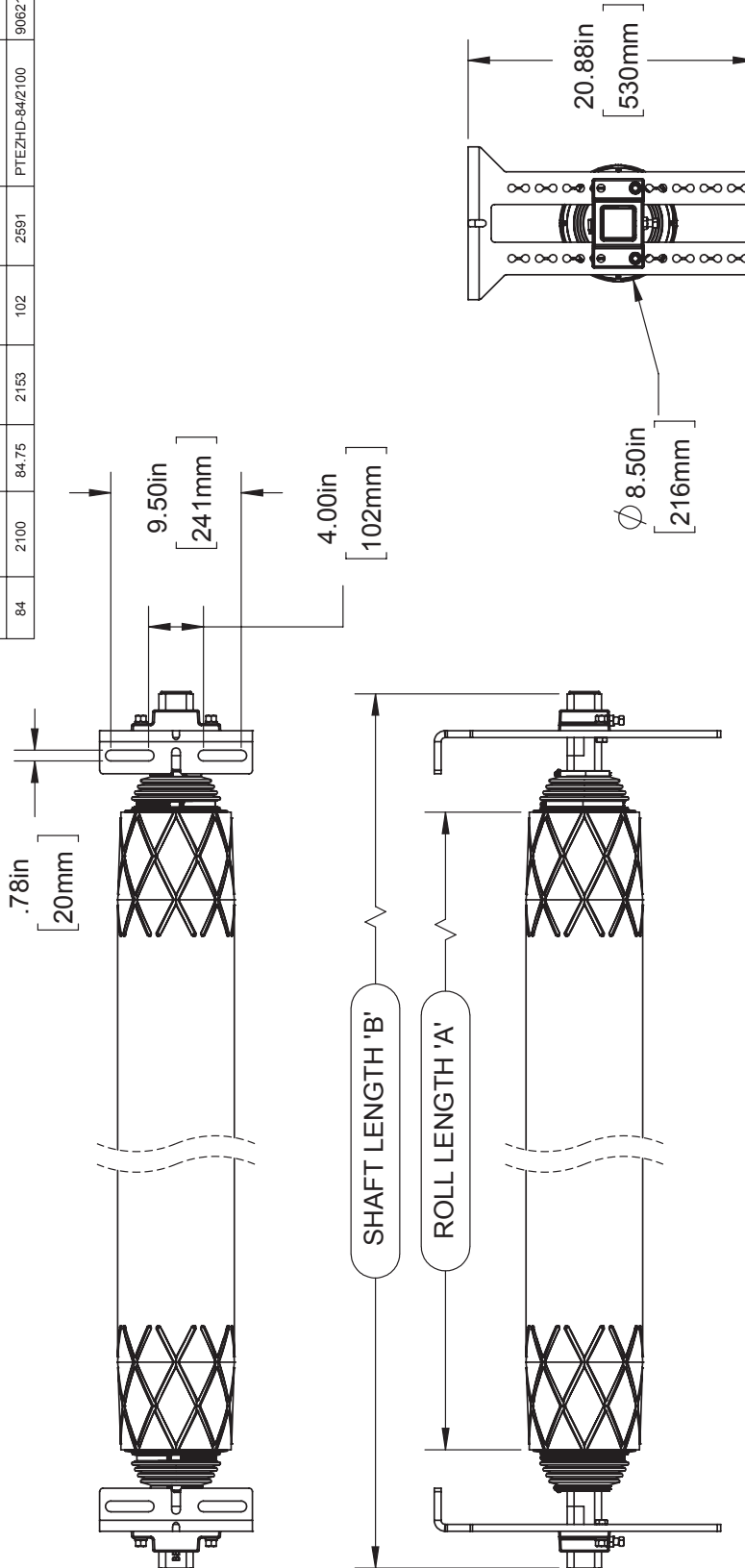
PART NUMBER	BELT WIDTH	DIM "A"	DIM "B"
90265	18"	18.75" [476mm]	36" [914mm]
90266	24"	24.75" [629mm]	42" [1067mm]
90267	30"	30.75" [781mm]	48" [1219mm]
90268	36"	36.75" [933mm]	54" [1372mm]
90269	42"	42.75" [1086mm]	60" [1524mm]
90270	48"	48.75" [1238mm]	66" [1676mm]



Specifications & Guidelines

HD PTEZ™
Belt Trainer

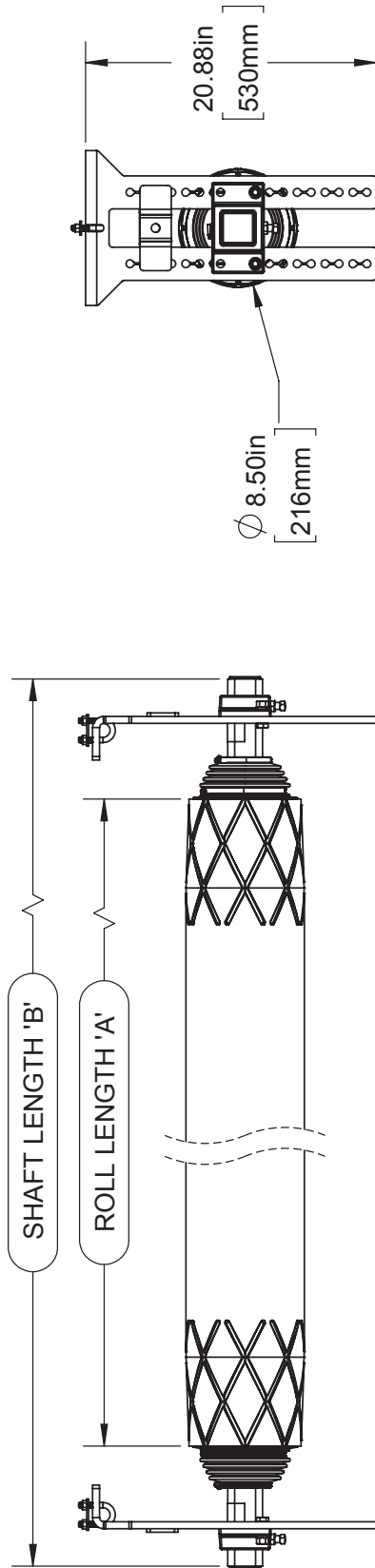
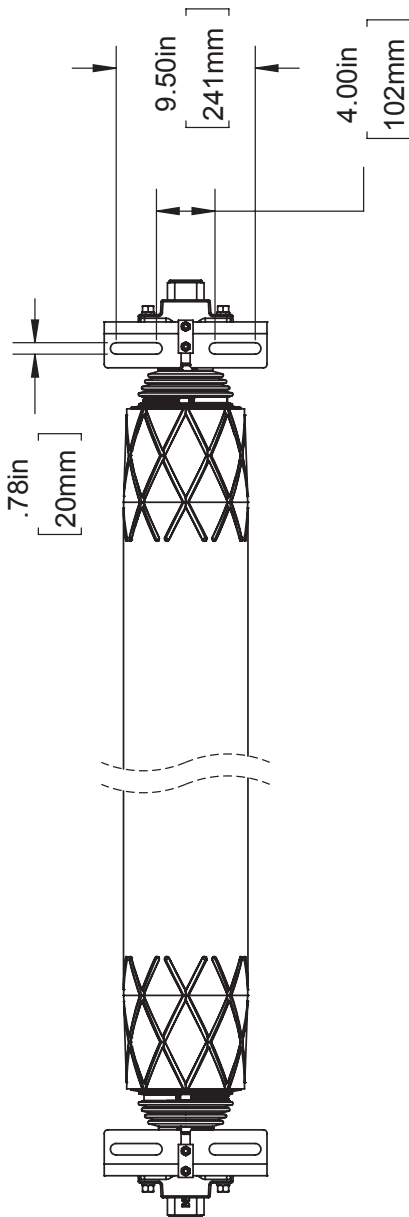
SPECIFICATIONS				
BELT WIDTH (in)	ROLL LENGTH 'A' (in)	SHAFT LENGTH 'B' (in)	ORDERING NUMBER	ITEM CODE
42	42.75	60	PTEZHD-42/1050	90616
48	48.75	66	PTEZHD-48/1200	90617
54	54.75	72	PTEZHD-54/1350	90618
56	56.75	74	PTEZHD-56/1400	90795
60	60.75	78	PTEZHD-60/1500	90619
64	64.75	82	PTEZHD-64/1600	90796
72	72.75	90	PTEZHD-72/1800	90620
80	80.75	98	PTEZHD-80/2000	90797
84	84.75	102	PTEZHD-84/2100	90621



Specifications & Guidelines

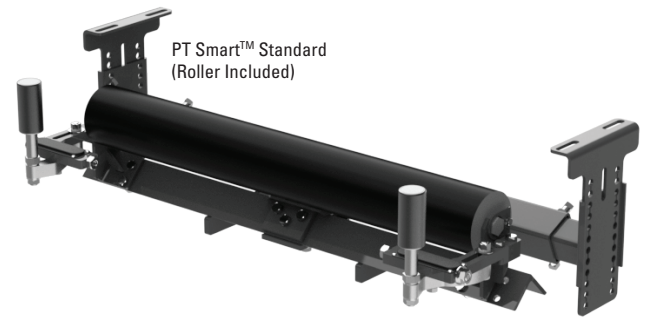
HD PTEZ™ Underground Belt Trainer

SPECIFICATIONS					
BELT WIDTH (in)	ROLL LENGTH 'A' (in)	SHAFT LENGTH 'B' (in)	ORDERING NUMBER	ITEM CODE	
42	42.75	60	PTEZHD-42/1050-UG	90798	
48	48.75	66	PTEZHD-48/1200-UG	90799	
54	54.75	72	PTEZHD-54/1350-UG	90800	
60	60.75	78	PTEZHD-60/1500-UG	90801	
72	72.75	90	PTEZHD-72/1800-UG	90802	



Product Ordering Information

PT Smart™
Belt Trainers



PT Smart™

BELT WIDTH		ORDERING NUMBER	ITEM CODE	WT. LBS.
in.	mm			
18	450	PTS-18R	77664	121.0
24	600	PTS-24R	77665	141.0
30	750	PTS-30R	77666	154.0
36	900	PTS-36R	77667	169.0
42	1050	PTS-42R	77668	186.0
48	1200	PTS-48R	77669	197.0
54	1350	PTS-54R	77670	210.0
60	1500	PTS-60R	77671	224.0
72	1800	PTS-72R	77672	242.0

Lead time: 1 working day

Replacement Rollers

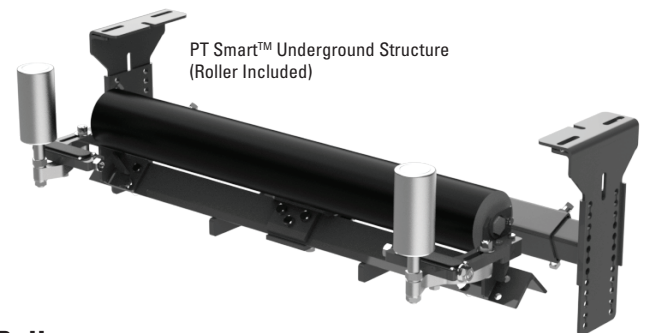
BELT WIDTH		ORDERING NUMBER	ITEM CODE	WT. LBS.
in.	mm			
18	450	PTS-RR21	77680	22.0
24	600	PTS-RR27	77681	27.0
30	750	PTS-RR33	77682	32.2
36	900	PTS-RR39	77683	36.0
42	1050	PTS-RR45	77684	41.5
48	1200	PTS-RR51	77685	45.0
54	1350	PTS-RR57	77686	47.5
60	1500	PTS-RR63	77687	53.0
72	1800	PTS-RR75	77689	57.0

Lead time: 1 working day

PT Smart™ Underground

BELT WIDTH		ORDERING NUMBER	ITEM CODE	WT. LBS.
in.	mm			
30	750	PTS-30R-UG	77673	174.0
36	900	PTS-36R-UG	77674	188.0
42	1050	PTS-42R-UG	77675	196.0
48	1200	PTS-48R-UG	77676	208.0
54	1350	PTS-54R-UG	77677	220.0
60	1500	PTS-60R-UG	77678	255.0
72	1800	PTS-72R-UG	77679	265.0

Lead time: 1 working day



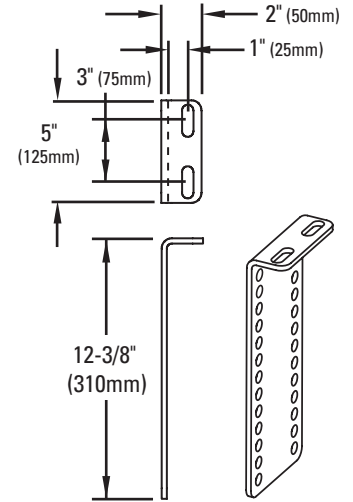
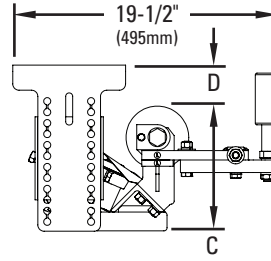
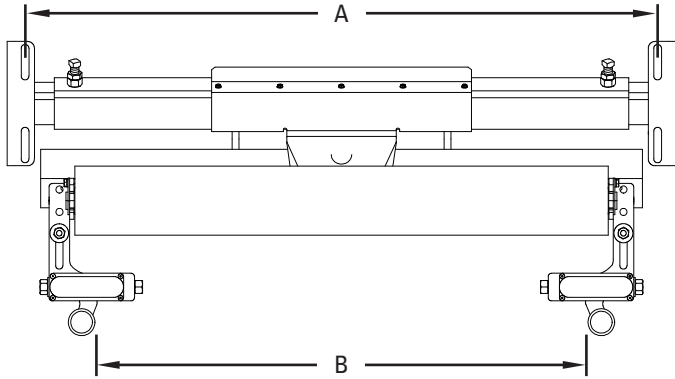
Replacement Rollers

BELT WIDTH		ORDERING NUMBER	ITEM CODE	WT. LBS.
in.	mm			
30	750	PTS-RR39	77683	36.0
36	900	PTS-RR45	77684	41.5
42	1050	PTS-RR51	77685	45.0
48	1200	PTS-RR57	77686	47.5
54	1350	PTS-RR63	77687	53.0
60	1500	PTS-RR69	77688	57.0
72	1800	PTS-RR81	77690	81.0

Lead time: 1 working day

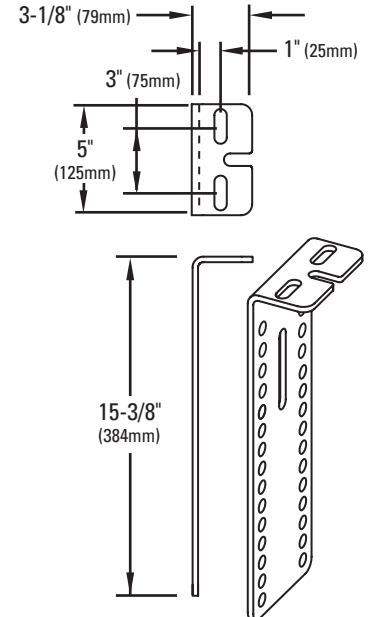
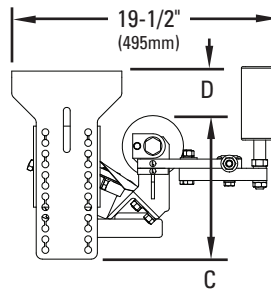
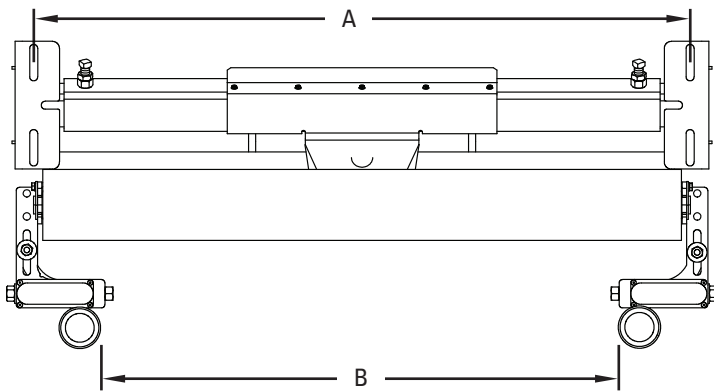
Specifications & Guidelines

PT Smart™ Belt Trainers



PT Smart™ Standard

Belt Width		Item Code	A		B		C		D (vertical adjustment)	
in.	mm		in.	mm	in.	mm	in.	mm	in.	mm
18	450	77664	23-35	575-875	10-23	250-575	10	250	0-10	0-250
24	600	77665	29-41	725-1025	16-29	400-725				
30	750	77666	35-47	875-1175	22-35	550-875				
36	900	77667	41-53	1025-1325	28-41	700-1025				
42	1050	77668	47-59	1175-1475	33-47	825-1175				
48	1200	77669	53-65	1325-1625	40-53	1000-1325				
54	1350	77670	59-71	1475-1775	46-59	1150-1475				
60	1500	77671	65-77	1625-1925	52-65	1300-1625				
72	1800	77672	77-89	1925-2225	64-77	1600-1925				

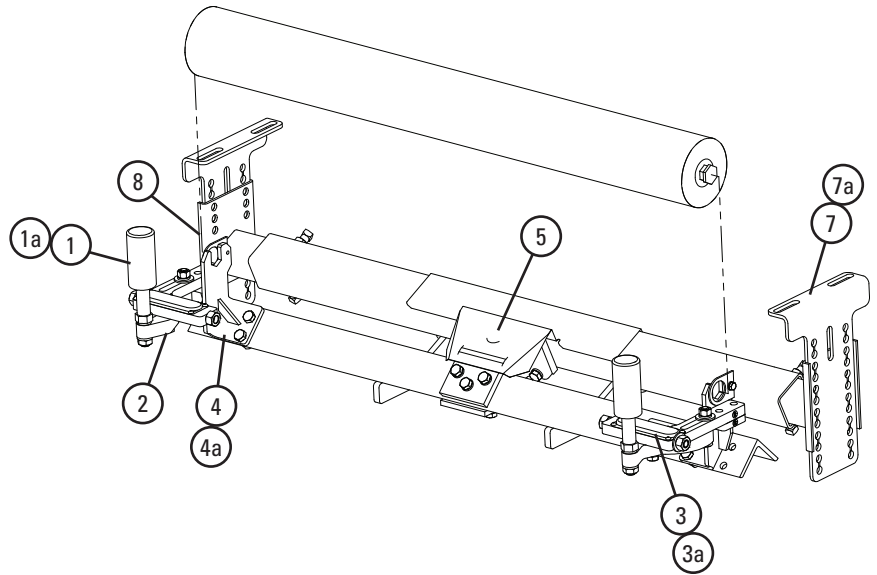


PT Smart™ Underground Structure

Belt Width		Item Code	A		B		C		D (vertical adjustment)	
in.	mm		in.	mm	in.	mm	in.	mm	in.	mm
30	750	77673	35-47	875-1175	27-40	675-1000	10	250	2-3/4-13-1/4	695-331
36	900	77674	41-53	1025-1325	33-46	825-1150				
42	1050	77675	47-59	1175-1475	39-52	975-1300				
48	1200	77676	53-65	1025-1625	45-58	1125-1450				
54	1350	77677	59-71	1475-1775	51-64	1275-1600				
60	1500	77678	65-77	1625-1925	57-70	1425-1750				
72	1800	77679	77-89	1925-2225	69-82	1725-2050	10-1/2	262	2-1/4-12-3/4	565-319

Replacement Parts List

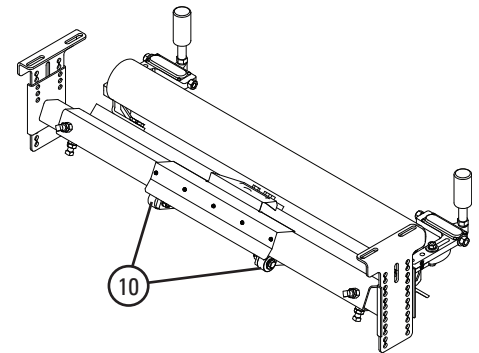
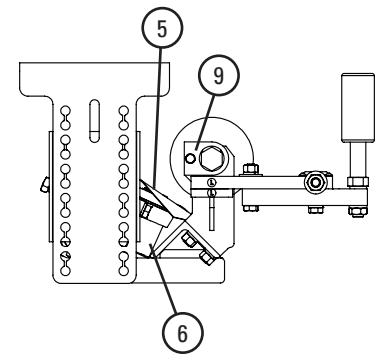
PT Smart™
Belt Trainers



Replacement Parts

REF	DESCRIPTION	ORDERING NUMBER	ITEM CODE	WT. LBS.
1	PTS STD Sensor Roller (2")	PTS-SR	77691	3.6
1a	PTS HD Sensor Roller (3")	PTS-HDSR	77692	12.0
2	PTS Sensor Arm Kit (1 ea.)	PTS-SAK	77694	2.5
3	PTS RH Sensor Adjuster Assy	PTS-RHSAA	77755	4.7
3a	PTS LH Sensor Adjuster Assy	PTS-LHSAA	77756	4.7
4	PTS Idler Bracket Kit (incl. L & R)	PTS-IBK	77696	5.9
4a	PTS HD Idler Bracket Kit (incl. L & R)	PTS-HIBK	77697	6.2
5	PTS Pivot Shield	PTS-PS	77698	1.8
6	PTS Pivot Assy (Axle and housing)	PTS-PA	77699	6.9
7	PTS Mounting Bracket Kit	PTS-MBK	77700	8.8
7a	PTS Mounting Bracket Kit U/G	PTS-MBKUG	77701	11.4
8	PTS Extending Bracket Kit (incl. L & R)	PTS-EBK	77702	12.9
9	Roller Retainer Kit	RBPRET	73163	1.0
10	Delrin Roll Kit* (2 kits)	PTS-DRK	90100	1.5
-	Wire Mount Kit	PTS-WMK	78767	11.5

*Hardware included
Lead time: 1 working day



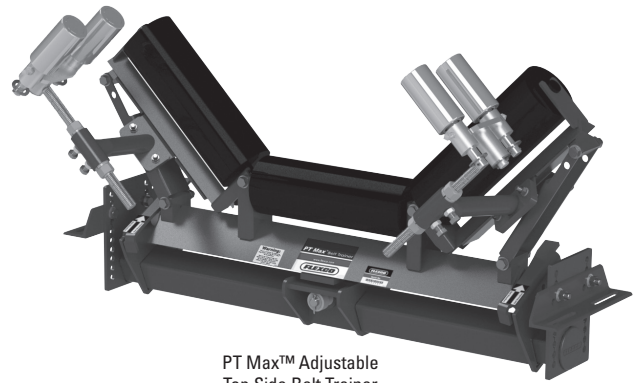
Product Ordering Information

PT Max™ Adjustable Belt Trainers

PT Max™ Adjustable Top Side

VERSION	BELT WIDTH		ORDERING NUMBER	ITEM CODE	WT. LBS.
	in.	mm			
Standard	36	900	PTMA36T	90362	355.0
	42	1050	PTMA42T	90363	375.0
	48	1200	PTMA48T	90364	405.0
	54	1350	PTMA54T	90365	425.0
	60	1500	PTMA60T	90366	445.0
Heavy-Duty	54	1350	PTMAHD54T	90377	505.0
	60	1500	PTMAHD60T	90378	530.0
	72	1800	PTMAHD72T	90379	610.0
	84	2100	PTMAHD84T	90380	670.0

Lead time: 1 working day

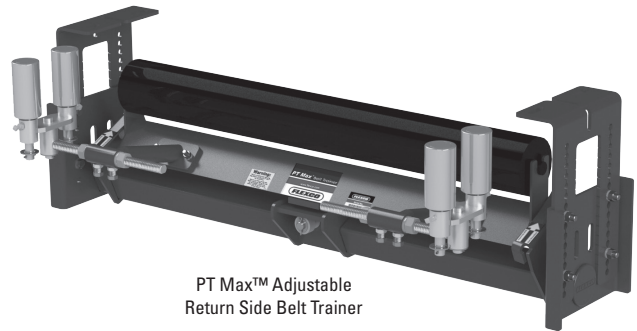


PT Max™ Adjustable Top Side Belt Trainer

PT Max™ Adjustable Return Side

VERSION	BELT WIDTH		ORDERING NUMBER	ITEM CODE	WT. LBS.
	in.	mm			
Standard	36	900	PTMA36R	90367	340.0
	42	1050	PTMA42R	90368	375.0
	48	1200	PTMA48R	90369	395.0
	54	1350	PTMA54R	90370	415.0
	60	1500	PTMA60R	90371	430.0
Heavy-Duty	54	1350	PTMAHD54R	90381	520.0
	60	1500	PTMAHD60R	90382	540.0
	72	1800	PTMAHD72R	90383	615.0
	84	2100	PTMAHD84R	90384	665.0

Lead time: 1 working day

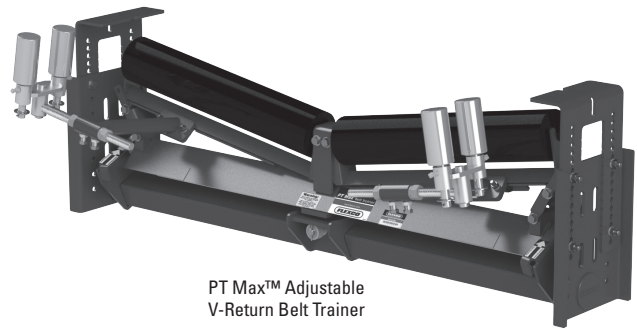


PT Max™ Adjustable Return Side Belt Trainer

PT Max™ Adjustable V-Return

VERSION	BELT WIDTH		ORDERING NUMBER	ITEM CODE	WT. LBS.
	in.	mm			
Standard	36	900	PTMA36VR	90372	430.0
	42	1050	PTMA42VR	90373	450.0
	48	1200	PTMA48VR	90374	475.0
	54	1350	PTMA54VR	90375	495.0
	60	1500	PTMA60VR	90376	520.0
Heavy-Duty	54	1350	PTMAHD54VR	90385	610.0
	60	1500	PTMAHD60VR	90386	635.0
	72	1800	PTMAHD72VR	90387	725.0
	84	2100	PTMAHD84VR	90388	770.0

Lead time: 1 working day



PT Max™ Adjustable V-Return Belt Trainer

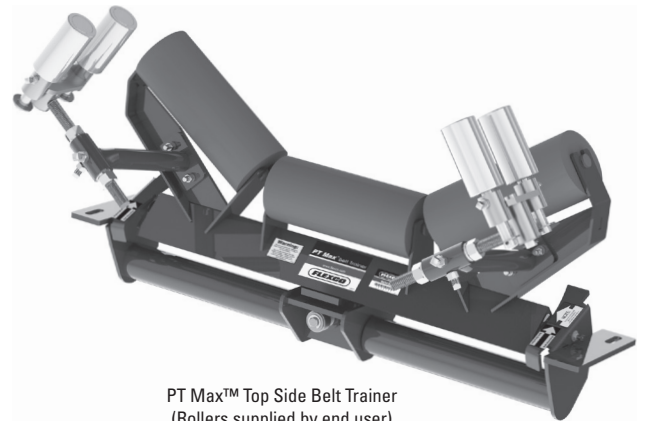
Shaded items are made to order.
Lead time: 15 working days

Product Ordering Information

PT Max™ Original Belt Trainers

PT Max™ Top Side

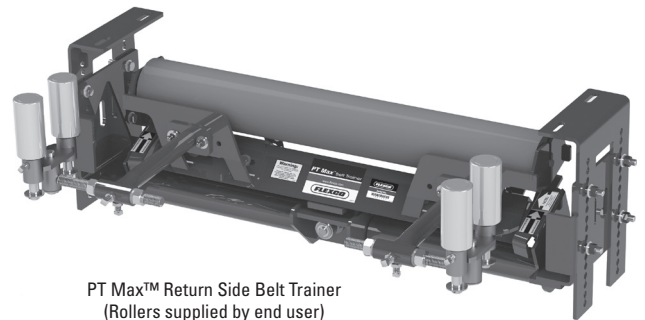
VERSION	BELT WIDTH		ORDERING NUMBER	ITEM CODE	WT. LBS.
	in.	mm			
Standard	24	600	PTM24T	75583	280.0
	30	750	PTM30T	74885	295.0
	36	900	PTM36T	74886	310.0
	42	1050	PTM42T	74887	325.0
	48	1200	PTM48T	74888	340.0
	54	1350	PTM54T	74889	355.0
Heavy-Duty	60	1500	PTM60T	74890	370.0
	54	1350	PTMHD54T	74891	390.0
	60	1500	PTMHD60T	74892	410.0
	72	1800	PTMHD72T	74893	430.0
Super-Duty	84	2100	PTMHD84T	74894	450.0
	72	1800	PTMSD72T	74895	828.1
	84	2100	PTMSD84T	74896	876.8
	96	2400	PTMSD96T	74897	925.5
	120	3000	PTMSD120T	74898	1,022.9



PT Max™ Top Side Belt Trainer
(Rollers supplied by end user)

PT Max™ Return Side

VERSION	BELT WIDTH		ORDERING NUMBER	ITEM CODE	WT. LBS.
	in.	mm			
Standard	24	600	PTM24R	75584	330.0
	30	750	PTM30R	74899	340.0
	36	900	PTM36R	74900	350.0
	42	1050	PTM42R	74901	370.0
	48	1200	PTM48R	74902	380.0
	54	1350	PTM54R	74903	400.0
Heavy-Duty	60	1500	PTM60R	74904	420.0
	54	1350	PTMHD54R	74905	510.0
	60	1500	PTMHD60R	74906	520.0
	72	1800	PTMHD72R	74907	580.0
Super-Duty	84	2100	PTMHD84R	74908	610.0
	72	1800	PTMSD72R	74909	992.7
	84	2100	PTMSD84R	74910	1,051.1
	96	2400	PTMSD96R	74911	1,109.5
	120	3000	PTMSD120R	74912	1,226.3



PT Max™ Return Side Belt Trainer
(Rollers supplied by end user)

PT Max™ V-Return

VERSION	BELT WIDTH		ORDERING NUMBER	ITEM CODE	WT. LBS.
	in.	mm			
Standard	24	600	PTM24VR	79669	310.0
	30	750	PTM30VR	79670	320.0
	36	900	PTM36VR	79671	330.0
	42	1050	PTM42VR	79672	350.0
	48	1200	PTM48VR	79673	360.0
	54	1350	PTM54VR	79674	370.0
Heavy-Duty	60	1500	PTM60VR	79675	390.0
	54	1350	PTMHD54VR	79665	470.0
	60	1500	PTMHD60VR	79666	480.0
	72	1800	PTMHD72VR	79667	560.0
Super-Duty	84	2100	PTMHD84VR	79668	600.0
	72	1800	PTMSD72VR	90051	935.0
	84	2100	PTMSD84VR	90052	990.0
	96	2400	PTMSD96VR	90053	1,045.0
	120	3000	PTMSD120VR	90054	1,155.0



PT Max™ V-Return Belt Trainer
(Rollers supplied by end user)

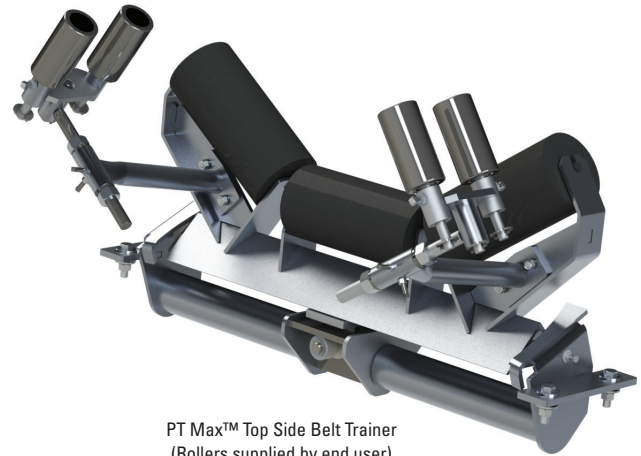
- All items are made to order.
Lead time: 15 working days (after data sheets are approved)
- All items are made to order.
Lead time: 25 working days (after data sheets are approved)

Product Ordering Information

PT Max™ Stainless Steel Belt Trainers

PT Max™ Top Side

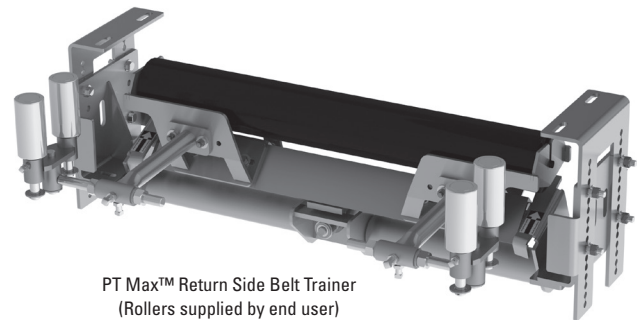
VERSION	BELT WIDTH		ORDERING NUMBER	ITEM CODE	WT. LBS.
	in.	mm			
Standard	24	600	PTM24T-S/S	90001	302.4
	30	750	PTM30T-S/S	90002	318.6
	36	900	PTM36T-S/S	90003	334.8
	42	1050	PTM42T-S/S	90004	351.0
	48	1200	PTM48T-S/S	90005	367.2
	54	1350	PTM54T-S/S	90006	383.4
	60	1500	PTM60T-S/S	90007	399.6
Heavy-Duty	54	1350	PTMHD54T-S/S	90008	421.2
	60	1500	PTMHD60T-S/S	90009	442.8
	72	1800	PTMHD72T-S/S	90010	464.4
	84	2100	PTMHD84T-S/S	90011	486.0
Super-Duty	72	1800	PTMSD72T-S/S	90034	894.3
	84	2100	PTMSD84T-S/S	90035	946.9
	96	2400	PTMSD96T-S/S	90036	999.5
	120	3000	PTMSD120T-S/S	90037	1,104.8



PT Max™ Top Side Belt Trainer
(Rollers supplied by end user)

PT Max™ Return Side

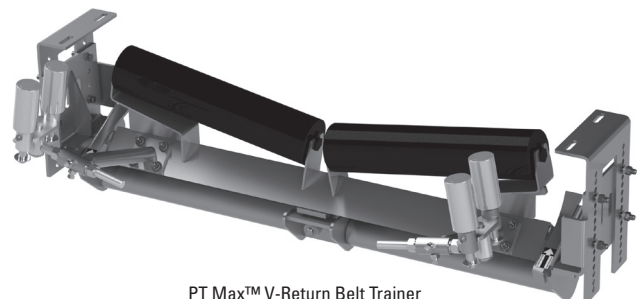
VERSION	BELT WIDTH		ORDERING NUMBER	ITEM CODE	WT. LBS.
	in.	mm			
Standard	24	600	PTM24R-S/S	90012	356.4
	30	750	PTM30R-S/S	90013	367.2
	36	900	PTM36R-S/S	90014	378.0
	42	1050	PTM42R-S/S	90015	399.6
	48	1200	PTM48R-S/S	90016	410.4
	54	1350	PTM54R-S/S	90017	432.0
	60	1500	PTM60R-S/S	90018	453.6
Heavy-Duty	54	1350	PTMHD54R-S/S	90019	550.8
	60	1500	PTMHD60R-S/S	90020	561.6
	72	1800	PTMHD72R-S/S	90021	626.4
	84	2100	PTMHD84R-S/S	90022	658.8
Super-Duty	72	1800	PTMSD72R-S/S	90038	1,072.1
	84	2100	PTMSD84R-S/S	90039	1,135.2
	96	2400	PTMSD96R-S/S	90040	1,198.3
	120	3000	PTMSD120R-S/S	90041	1,324.4



PT Max™ Return Side Belt Trainer
(Rollers supplied by end user)

PT Max™ V-Return

VERSION	BELT WIDTH		ORDERING NUMBER	ITEM CODE	WT. LBS.
	in.	mm			
Standard	24	600	PTM24VR-S/S	90023	334.8
	30	750	PTM30VR-S/S	90024	345.6
	36	900	PTM36VR-S/S	90025	356.4
	42	1050	PTM42VR-S/S	90026	378.0
	48	1200	PTM48VR-S/S	90027	388.8
	54	1350	PTM54VR-S/S	90028	399.6
	60	1500	PTM60VR-S/S	90029	421.2
Heavy-Duty	54	1350	PTMHD54VR-S/S	90030	507.6
	60	1500	PTMHD60VR-S/S	90031	518.4
	72	1800	PTMHD72VR-S/S	90032	604.8
	84	2100	PTMHD84VR-S/S	90033	648.0
Super-Duty	72	1800	PTMSD72VR-S/S	90042	1,009.8
	84	2100	PTMSD84VR-S/S	90043	1,069.2
	96	2400	PTMSD96VR-S/S	90044	1,128.6
	120	3000	PTMSD120VR-S/S	90045	1,247.4



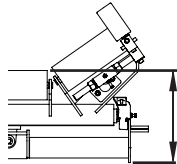
PT Max™ V-Return Belt Trainer
(Rollers supplied by end user)

All items are made to order.
Lead time: 25 working days (after data sheets are approved)

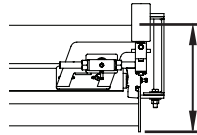
Specifications & Guidelines

Top of Roller to Bottom of PT Max™ Minimum Clearance Needed

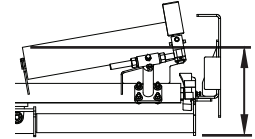
ROLL DIAMETER		TOPSIDE						RETURN SIDE						V-RETURN					
		Standard		Heavy-Duty		Super-Duty		Standard		Heavy-Duty		Super-Duty		Standard		Heavy-Duty		Super-Duty	
in.	mm	in.	mm	in.	mm	in.	mm	in.	mm	in.	mm	in.	mm	in.	mm	in.	mm	in.	mm
5	127	16	406	17	432	22.25	570	17	432	18	457	22.75	580	16	406	17	432	22.25	570
6	152	17	432	18	457	23.25	590	18	457	19	483	23.75	600	17	432	18	457	23.25	590
7	178	18	457	19	483	24.25	620	19	483	20	508	24.75	630	18	457	19	483	24.25	620



Topside Clearance



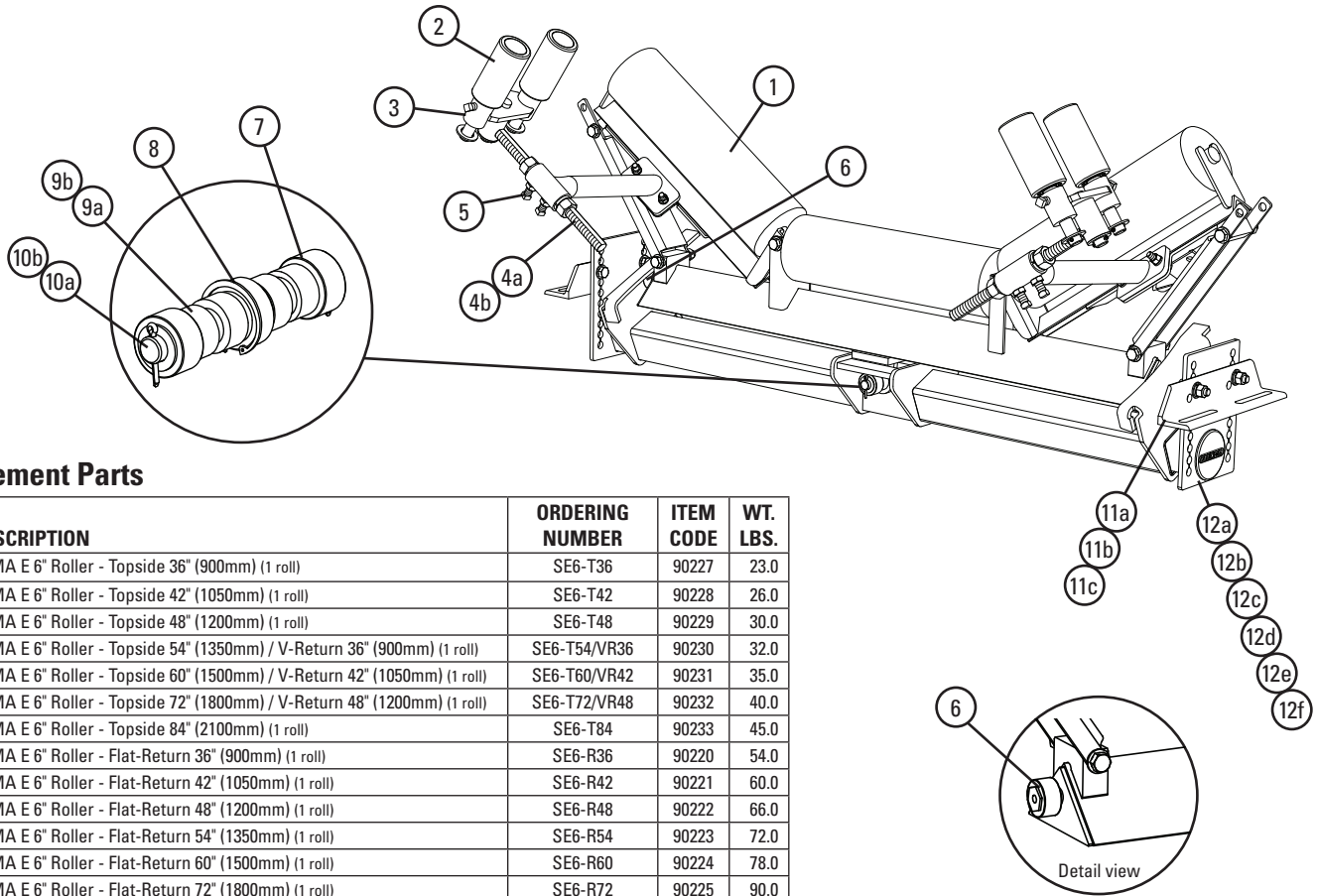
Return Side Clearance



V-Return Clearance

Replacement Parts List

PT Max™ Adjustable Belt Trainers



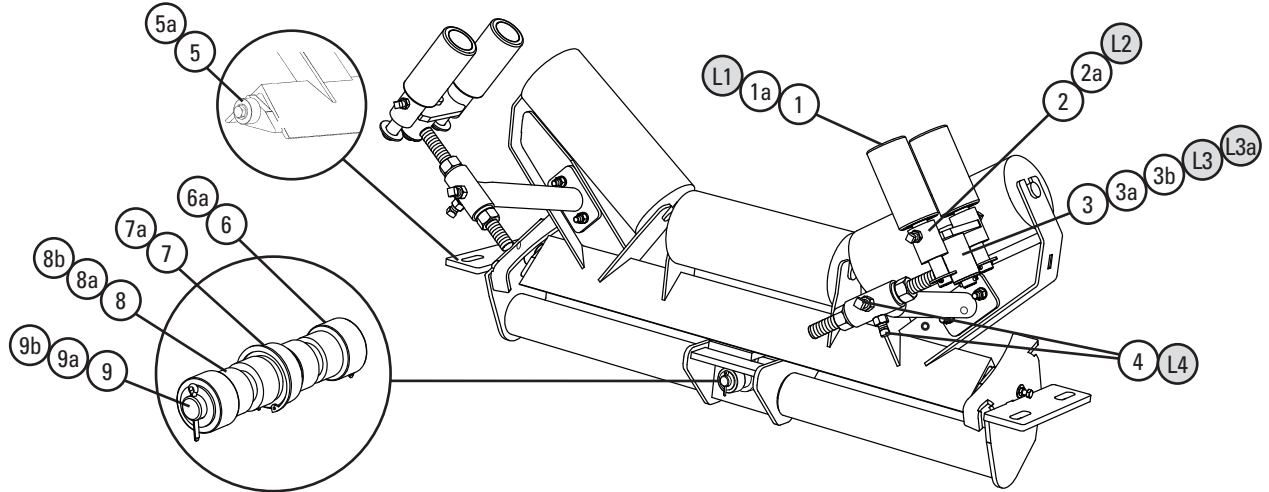
Replacement Parts

REF	DESCRIPTION	ORDERING NUMBER	ITEM CODE	WT. LBS.
1	CEMA E 6" Roller - Topside 36" (900mm) (1 roll)	SE6-T36	90227	23.0
	CEMA E 6" Roller - Topside 42" (1050mm) (1 roll)	SE6-T42	90228	26.0
	CEMA E 6" Roller - Topside 48" (1200mm) (1 roll)	SE6-T48	90229	30.0
	CEMA E 6" Roller - Topside 54" (1350mm) / V-Return 36" (900mm) (1 roll)	SE6-T54/VR36	90230	32.0
	CEMA E 6" Roller - Topside 60" (1500mm) / V-Return 42" (1050mm) (1 roll)	SE6-T60/VR42	90231	35.0
	CEMA E 6" Roller - Topside 72" (1800mm) / V-Return 48" (1200mm) (1 roll)	SE6-T72/VR48	90232	40.0
	CEMA E 6" Roller - Topside 84" (2100mm) (1 roll)	SE6-T84	90233	45.0
	CEMA E 6" Roller - Flat-Return 36" (900mm) (1 roll)	SE6-R36	90220	54.0
	CEMA E 6" Roller - Flat-Return 42" (1050mm) (1 roll)	SE6-R42	90221	60.0
	CEMA E 6" Roller - Flat-Return 48" (1200mm) (1 roll)	SE6-R48	90222	66.0
	CEMA E 6" Roller - Flat-Return 54" (1350mm) (1 roll)	SE6-R54	90223	72.0
	CEMA E 6" Roller - Flat-Return 60" (1500mm) (1 roll)	SE6-R60	90224	78.0
	CEMA E 6" Roller - Flat-Return 72" (1800mm) (1 roll)	SE6-R72	90225	90.0
	CEMA E 6" Roller - Flat-Return 84" (2100mm) (1 roll)	SE6-R84	90226	102.0
	CEMA E 6" Roller - V-Return 54" (1350mm) (1 roll)	SE6-VR54	90234	43.0
	CEMA E 6" Roller - V-Return 60" (1500mm) (1 roll)	SE6-VR60	90235	47.0
	CEMA E 6" Roller - V-Return 72" (1800mm) (1 roll)	SE6-VR72	90236	54.0
CEMA E 6" Roller - V-Return 84" (2100mm) (1 roll)	SE6-VR84	90319	57.0	
2	Sensor Roller 2.0* (3" solid roller) (1 ea.)	MSR2	79378	7.0
3	Swivel Mount Kit 2.0*	PMSMK2	79380	5.5
4a	PT Max Adjusting Arm Kit	PTMAAK	90194	6.0
4b	PT Max Adjusting Arm Kit - HD	PTMAAKHD	90195	9.0
5	Frame Arm Screw Kit (incl. (4) ea. screw, jam nut)	PTMAFASK	90196	1.2
6	Outer Roller Kit* (incl. (2) rollers, roller thimbles)	PTMAORK	90197	1.0
7	Center Roller Kit (incl. (2) ea. roller, washer, cotter pin)	MCRK	74923	1.2
8	Center Bearing	MCB	74925	1.7
9a	Center Shaft Spacer Kit (incl. (2) spacer)	MCSK	74927	0.3
9b	Center Shaft Spacer Kit - HD (incl. (2) spacer)	MCSKHD	74928	0.5
10a	Center Shaft	MCS	74930	4.0
10b	Center Shaft - HD	MCSHD	74931	13.0
11a	Frame Mount Kit - Topside	PTMAFMKT	90185	14.6
11b	Frame Mount Kit - Flat / V-Return	PTMAFMKR	90186	42.0
11c	Frame Mount Kit - Flat / V-Return HD	PTMAFMKHDR	90187	49.4
12a	Extender Kit - Topside	PTMAEKT	90188	33.9
12b	Extender Kit - Topside HD	PTMAEKHDT	90191	49.9
12c	Extender Kit - Flat-Return	PTMAEKR	90189	57.1
12d	Extender Kit - Flat-Return HD	PTMAEKHDR	90192	86.4
12e	Extender Kit - V-Return	PTMAEKVR	90190	76.0
12f	Extender Kit - V-Return HD	PTMAEKHDVR	90193	112.1
-	Center Bearing Kit (incl. (1) ea. items 7, 8, 9a, 10a)	MCBK	76025	8.0
-	Center Bearing Kit - HD (incl. (1) ea. items 7, 8, 9b, 10b)	MCBKHD	76026	17.0

*Hardware included
Lead time: 1 working day

Replacement Parts List

PT Max™ Original Belt Trainers



Replacement Parts

REF	DESCRIPTION	BELT WIDTH		ORDERING NUMBER	ITEM CODE	WT. LBS.
		in.	mm			
1	Sensor Roller 2.0* (3" solid roller) (1 ea.)	30-84	750-2100	MSR2	79378	7.0
1a	Sensor Roller Super Duty* (1 ea.)	72-120	1800-3000	MSRSD	74915	9.9
2	Swivel Mount Kit 2.0*	30-84	750-2100	PMSMK2	79380	5.5
2a	Swivel Mount Kit Super Duty*	72-120	1800-3000	PMSMKSD	74917	7.5
3	Adjusting Arm Kit 2.0*	30-60	750-1500	MAK2	79381	7.9
3a	Adjusting Arm Kit Heavy Duty 2.0*	54-84	1350-2100	MAKHD2	79382	14.7
3b	Adjusting Arm Kit Super Duty*	72-120	1800-3000	MAKSD	74920	21.0
4	Frame Arm Set Screw Kit HD (incl. 2 set screws and 2 jam nuts)	30-120	750-3000	MFASKHD	79571	0.8
5	Outer Roller Kit* (incl. 2 rollers, roller thimbles and bolts, nuts and washers)	30-84	750-2100	MORK	74921	2.6
5a	Outer Roller Kit Super Duty* (incl. 2 rollers, roller thimbles and bolts, nuts and washers)	72-120	1800-3000	MORKSD	74922	4.0
6	Center Roller Kit* (incl. 2 rollers, 2 washers, and 2 cotter pins)	30-84	750-2100	MCRK	74923	1.2
6a	Center Roller Kit Super Duty* (incl. 2 rollers, 2 washers, and 2 cotter pins)	72-120	1800-3000	MCRKSD	74924	1.8
7	Center Bearing*	30-84	750-2100	MCB	74925	1.7
7a	Center Bearing Super Duty*	72-120	1800-3000	MCBSD	74926	3.0
8	Center Shaft Spacer Kit (incl. 2 spacers)	30-60	750-1500	MCSK	74927	0.3
8a	Center Shaft Spacer Kit Heavy Duty (incl. 2 spacers)	54-84	1350-2100	MCSKHD	74928	0.5
8b	Center Shaft Spacer Kit Super Duty (incl. 2 spacers)	72-120	1800-3000	MCSKSD	74929	2.4
9	Center Shaft	30-60	750-1500	MCS	74930	4.0
9a	Center Shaft Heavy Duty	54-84	1350-2100	MCSHD	74931	13.0
9b	Center Shaft Super Duty	72-120	1800-3000	MCSSD	74932	14.5
-	Center Bearing Kit (incl. 1 ea. items 6, 7, 8, 9)	30-60	750-1500	MCBK	76025	8.0
-	Center Bearing Kit Heavy Duty (incl. 1 ea. items 6, 7, 8a, 9a)	54-84	1350-2100	MCBKHD	76026	17.0
-	Center Bearing Kit Super Duty (incl. 1 ea. items 6a, 7a, 8b, 9b)	72-120	1800-3000	MCBKSD	114404	19.0

For PT Max™ Units Shipped after March 17, 2014 ONLY.
See below for legacy replacement parts.

*Hardware included

Lead time: 1 working day

Note: All replacement parts offered are common to all three PT Max models: Top Side, Return Side, and V-Return.

Shaded items are made to order.

Lead time: 15 working days

Legacy Replacement Parts - Units Shipped Prior to March 17, 2014

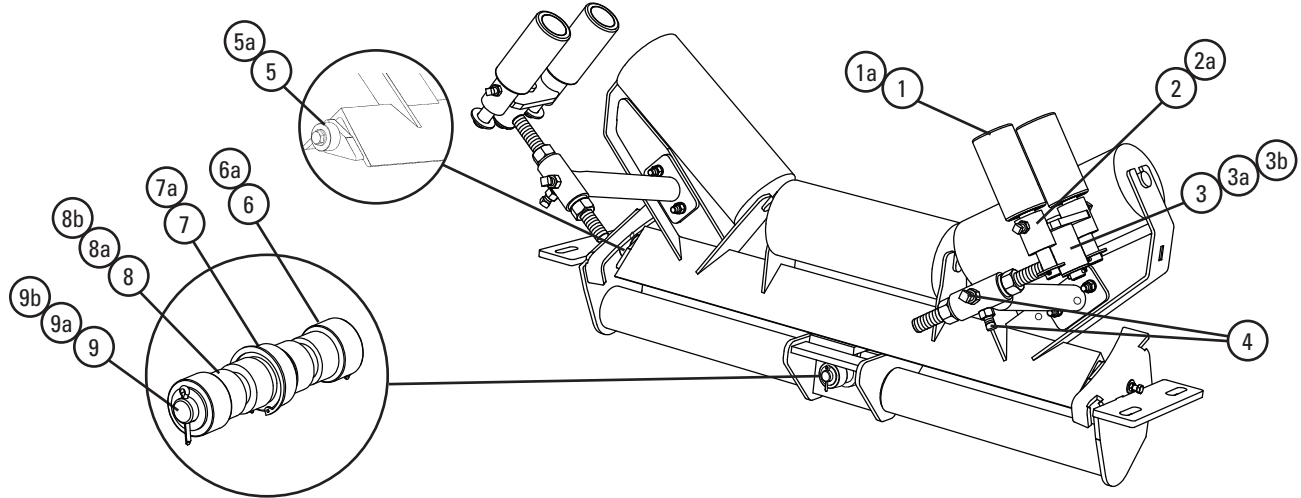
REF	DESCRIPTION	BELT WIDTH		ORDERING NUMBER	ITEM CODE	WT. LBS.
		in.	mm			
L1	Sensor Roller* (3" solid roller) (1 ea.)	30-84	750-2100	MSR	74914	7.0
L2	Swivel Mount Kit*	30-84	750-2100	PMSMK	74916	5.5
L3	Adjusting Arm Kit*	30-60	750-1500	MAK	74918	7.9
L3a	HD Adjusting Arm Kit*	54-84	1350-2100	MAKHD	74919	14.7
L4	Frame Arm Set Screw Kit (incl. 2 set screws and 2 jam nuts)	30-120	750-3000	MFASK	75531	0.8

*Hardware included

Lead time: 1 working day

Replacement Parts List

PT Max™ Stainless Steel Belt Trainers



Replacement Parts

REF	DESCRIPTION	BELT WIDTH		ORDERING NUMBER	ITEM CODE	WT. LBS.
		in.	mm			
1	Sensor Roller 2.0* (3" solid roller) (1 ea.)	30-84	750-2100	MSR2-S/S	90046	7.6
1a	Sensor Roller Super Duty	72-120	1800-3000	MSRSD-S/S	90055	10.7
2	Swivel Mount Kit 2.0*	30-84	750-2100	PMSMK2-S/S	90047	5.9
2a	Swivel Mount Kit Super Duty*	72-120	1800-3000	PMSMKSD-S/S	90056	8.1
3	Adjusting Arm Kit 2.0*	30-60	750-1500	MAK2-S/S	90048	8.5
3a	Adjusting Arm Kit Heavy Duty 2.0*	54-84	1350-2100	MAKHD2-S/S	90049	15.9
3b	Adjusting Arm Kit Super Duty*	72-120	1800-3000	MAKSD-S/S	90057	22.7
4	Frame Arm Set Screw Kit HD (incl. 2 set screws and 2 jam nuts)	30-120	750-3000	MFASKHD-S/S	90050	0.9
5	Outer Roller Kit* (incl. 2 rollers, roller thimbles and bolts, nuts and washers)	30-84	750-2100	MORK	74921	2.6
5a	Outer Roller Kit Super Duty* (incl. 2 rollers, roller thimbles and bolts, nuts and washers)	72-120	1800-3000	MORKSD	74922	4.0
6	Center Roller Kit* (incl. 2 rollers, 2 washers, and 2 cotter pins)	30-84	750-2100	MCRK	74923	1.2
6a	Center Roller Kit Super Duty* (incl. 2 rollers, 2 washers, and 2 cotter pins)	72-120	1800-3000	MCRKSD	74924	1.8
7	Center Bearing*	30-84	750-2100	MCB	74925	1.7
7a	Center Bearing Super Duty*	72-120	1800-3000	MCBSD	74926	3.0
8	Center Shaft Spacer Kit (incl. 2 spacers)	30-60	750-1500	MCSK	74927	0.3
8a	Center Shaft Spacer Kit Heavy Duty (incl. 2 spacers)	54-84	1350-2100	MCSKHD	74928	0.5
8b	Center Shaft Spacer Kit Super Duty (incl. 2 spacers)	72-120	1800-3000	MCSKSD	74929	2.4
9	Center Shaft	30-60	750-1500	MCS	74930	4.0
9a	Center Shaft Heavy Duty	54-84	1350-2100	MCSHD	74931	13.0
9b	Center Shaft Super Duty	72-120	1800-3000	MCSSD	74932	14.5
-	Center Bearing Kit (incl. 1 ea. items 6, 7, 8, 9)	30-60	750-1500	MCBK	76025	8.0
-	Center Bearing Kit Heavy Duty (incl. 1 ea. items 6, 7, 8a, 9a)	54-84	1350-2100	MCBKHD	76026	17.0
-	Center Bearing Kit Super Duty (incl. 1 ea. items 6a, 7a, 8b, 9b)	72-120	1800-3000	MCBKSD	114404	19.0

*Hardware included

Lead time: 1 working day

Note: All replacement parts offered are common to all three PT Max models: Top Side, Return Side, and V-Return.

Shaded items are made to order.

Lead time: 15 working days

Product Ordering Information

Enclosed Skirting

Enclosed Skirting Base Unit

Base unit configuration options: belt width, length, no cover or cover, standard or tangential seal. One Leg Kit included with each Base Unit.

Product Notes:

- Maximum span between support legs is 96" (or 8') and they are to be attached to the conveyor stringer or truss
 - For each run of Enclosed Skirting one additional Leg Kit is required to complete the installation. See Leg Kits on the Replacement Parts page.
- Skirting solutions do not include required skirt rubber; purchase from local Flexco distribution
- Straight skirt wall and tangential skirt wall available for different skirt rubber sealing options
- Product is built and sold to CEMA standards
- Skirt board liners made with AR400 abrasive resistant plate steel



Standard Base Unit

BELT WIDTH		UNIT LENGTH		NO COVER			COVERED		
in.	mm	ft.	mm	ORDERING NUMBER	ITEM CODE	WT. LBS.	ORDERING NUMBER	ITEM CODE	WT. LBS.
24	600	4	1200	ES24-4-SN	91653	176.6	ES24-4-SF	91664	218.4
30	750	4	1200	ES30-4-SN	91654	177.9	ES30-4-SF	91665	227.4
36	900	4	1200	ES36-4-SN	91655	179.3	ES36-4-SF	91666	236.5
42	1050	4	1200	ES42-4-SN	91656	181.9	ES42-4-SF	91667	247.2
48	1200	4	1200	ES48-4-SN	91657	183.3	ES48-4-SF	91668	256.6
54	1350	4	1200	ES54-4-SN	91658	184.6	ES54-4-SF	91669	265.6
60	1500	4	1200	ES60-4-SN	91659	187.3	ES60-4-SF	91670	276.1
66	1650	4	1200	ES66-4-SN	91660	188.6	ES66-4-SF	91671	285.1
72	1800	4	1200	ES72-4-SN	91661	189.9	ES72-4-SF	91672	294.5
84	2100	4	1200	ES84-4-SN	91662	193.9	ES84-4-SF	91673	314.0
96	2400	4	1200	ES96-4-SN	91663	197.9	ES96-4-SF	91674	333.7
24	600	8	2400	ES24-8-SN	91689	318.3	ES24-8-SF	91700	401.8
30	750	8	2400	ES30-8-SN	91690	319.6	ES30-8-SF	91701	418.6
36	900	8	2400	ES36-8-SN	91691	320.9	ES36-8-SF	91702	435.4
42	1050	8	2400	ES42-8-SN	91692	323.6	ES42-8-SF	91703	454.2
48	1200	8	2400	ES48-8-SN	91693	325.0	ES48-8-SF	91704	471.5
54	1350	8	2400	ES54-8-SN	91694	326.3	ES54-8-SF	91705	488.4
60	1500	8	2400	ES60-8-SN	91695	329.0	ES60-8-SF	91706	506.5
66	1650	8	2400	ES66-8-SN	91696	330.3	ES66-8-SF	91707	523.3
72	1800	8	2400	ES72-8-SN	91697	331.6	ES72-8-SF	91708	540.7
84	2100	8	2400	ES84-8-SN	91698	335.6	ES84-8-SF	91709	575.7
96	2400	8	2400	ES96-8-SN	91699	339.6	ES96-8-SF	91710	611.2

Lead time: 3 weeks

Tangential Base Unit

BELT WIDTH		UNIT LENGTH		NO COVER			COVERED		
in.	mm	ft.	mm	ORDERING NUMBER	ITEM CODE	WT. LBS.	ORDERING NUMBER	ITEM CODE	WT. LBS.
48	1200	4	1200	ES48-4-TN	91675	225.5	ES48-4-TF	91682	298.8
54	1350	4	1200	ES54-4-TN	91676	226.8	ES54-4-TF	91683	307.9
60	1500	4	1200	ES60-4-TN	91677	229.5	ES60-4-TF	91684	318.3
66	1650	4	1200	ES66-4-TN	91678	230.8	ES66-4-TF	91685	327.4
72	1800	4	1200	ES72-4-TN	91679	232.2	ES72-4-TF	91686	336.7
84	2100	4	1200	ES84-4-TN	91680	236.2	ES84-4-TF	91687	356.2
96	2400	4	1200	ES96-4-TN	91681	240.2	ES96-4-TF	91688	376.0
48	1200	8	2400	ES48-8-TN	91711	409.5	ES48-8-TF	91718	556.0
54	1350	8	2400	ES54-8-TN	91712	410.8	ES54-8-TF	91719	572.9
60	1500	8	2400	ES60-8-TN	91713	413.5	ES60-8-TF	91720	591.0
66	1650	8	2400	ES66-8-TN	91714	414.8	ES66-8-TF	91721	607.8
72	1800	8	2400	ES72-8-TN	91715	416.1	ES72-8-TF	91722	625.2
84	2100	8	2400	ES84-8-TN	91716	420.1	ES84-8-TF	91723	660.2
96	2400	8	2400	ES96-8-TN	91717	424.1	ES96-8-TF	91724	695.7

Lead time: 3 weeks

All items are made to order.
Lead time: 6 weeks

Product Ordering Information

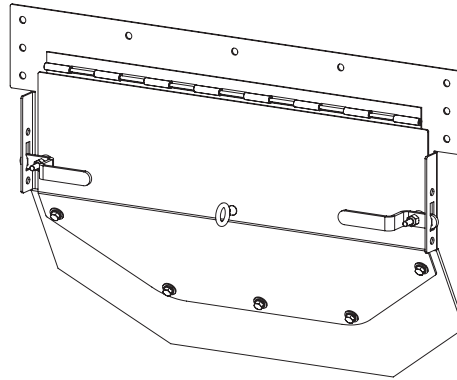
Enclosed Skirting

Rear Seal

Used to enclose the rear of system while providing access into the system.

BELT WIDTH		ORDERING NUMBER	ITEM CODE	WT. LBS.
in.	mm			
24	600	RS-24	91725	23.7
30	750	RS-30	91726	28.3
36	900	RS-36	91727	33.0
42	1050	RS-42	91728	38.1
48	1200	RS-48	91729	43.4
54	1350	RS-54	91730	48.6
60	1500	RS-60	91731	54.0
66	1650	RS-66	91732	59.3
72	1800	RS-72	91733	65.0
84	2100	RS-84	91734	78.1
96	2400	RS-96	91735	92.3

Lead time: 3 weeks

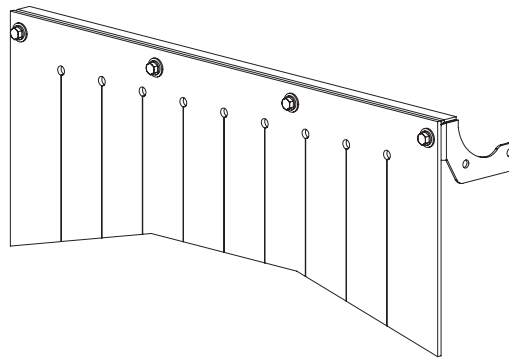


Dust Curtain

Can be located every two feet.

BELT WIDTH		ORDERING NUMBER	ITEM CODE	WT. LBS.
in.	mm			
24	600	DC-24	91736	5.5
30	750	DC-30	91737	6.4
36	900	DC-36	91738	7.2
42	1050	DC-42	91739	8.0
48	1200	DC-48	91740	9.0
54	1350	DC-54	91741	9.6
60	1500	DC-60	91742	10.2
66	1650	DC-66	91743	11.0
72	1800	DC-72	91744	11.5
84	2100	DC-84	91745	12.7
96	2400	DC-96	91746	13.3

Lead time: 3 weeks

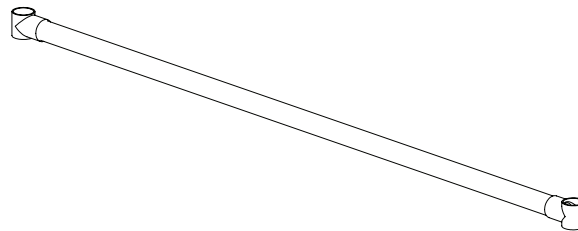


Spanners

Can be located every two feet.

BELT WIDTH		ORDERING NUMBER	ITEM CODE	WT. LBS.
in.	mm			
24	600	SP-24	91747	5.5
48	1200	SP-48	91748	10.9
72	1800	SP-72	91749	16.2
96	2400	SP-96	91750	21.5

Lead time: 3 weeks



Shaded items are made to order.
Lead time: 6 weeks

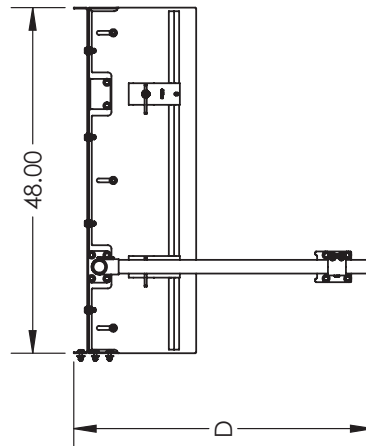
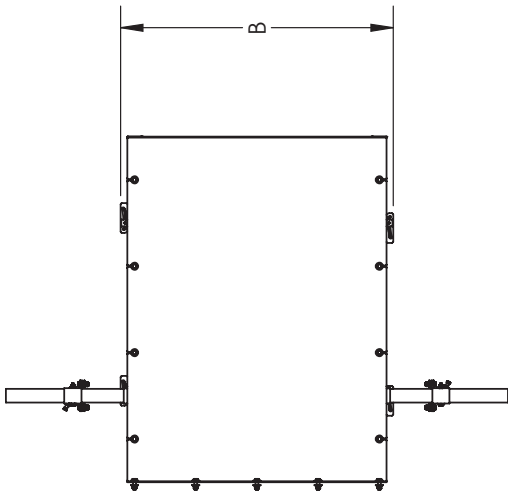
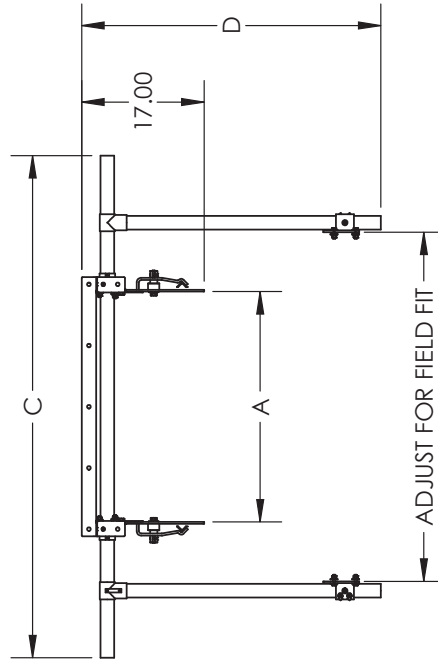
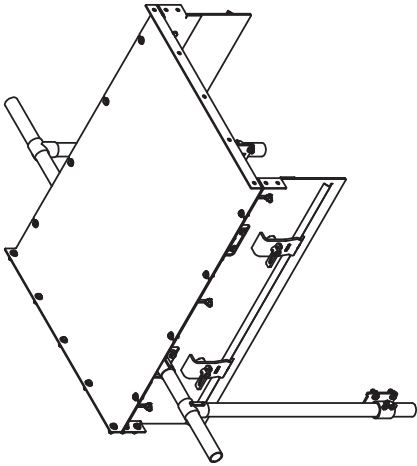
Product Notes:

- Add-on items attach to base unit to provide custom arrangement for your application

Specifications & Guidelines

Enclosed Skirting

4' (1.2 m) Base Unit

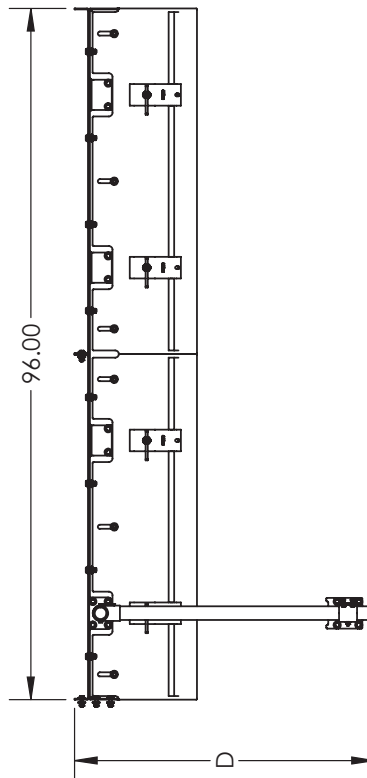
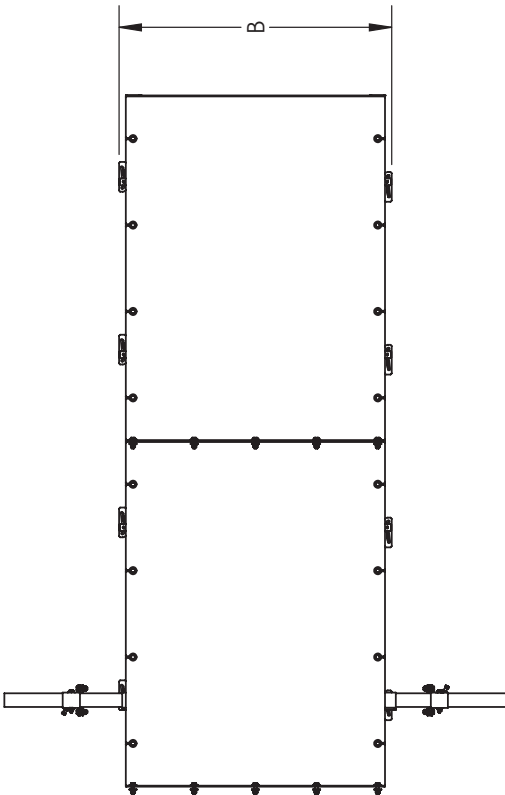
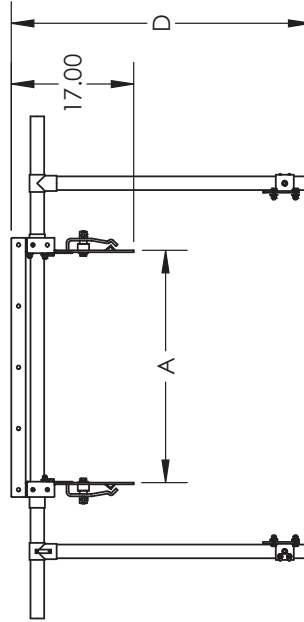
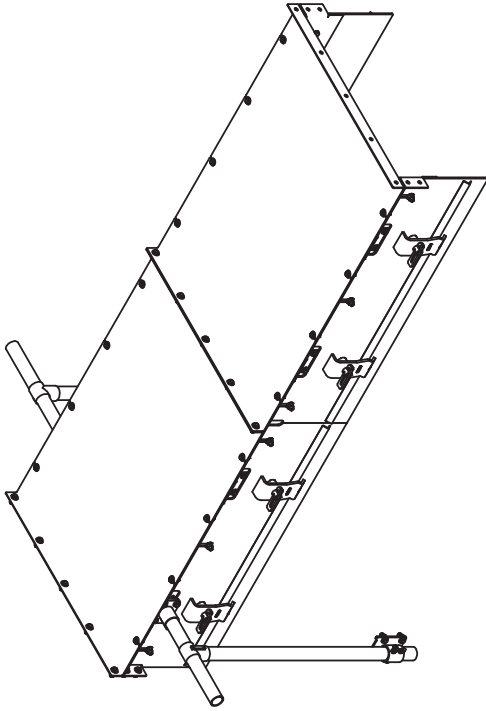


BELT WIDTH (in)	A (in)	B (in)	C (in)	D (in)
24	16	21.9	45.8	38.5
30	20	25.9	51.8	38.5
36	24	29.9	57.8	38.5
42	28	33.9	63.8	41.5
48	32	37.9	69.8	41.5
54	36	41.9	75.8	41.5
60	40	45.9	81.8	44.5
66	44	49.9	87.8	44.5
72	48	53.9	93.8	44.5
84	56	57.9	105.8	47.5
96	64	61.9	117.8	50.5

Specifications & Guidelines

Enclosed Skirting

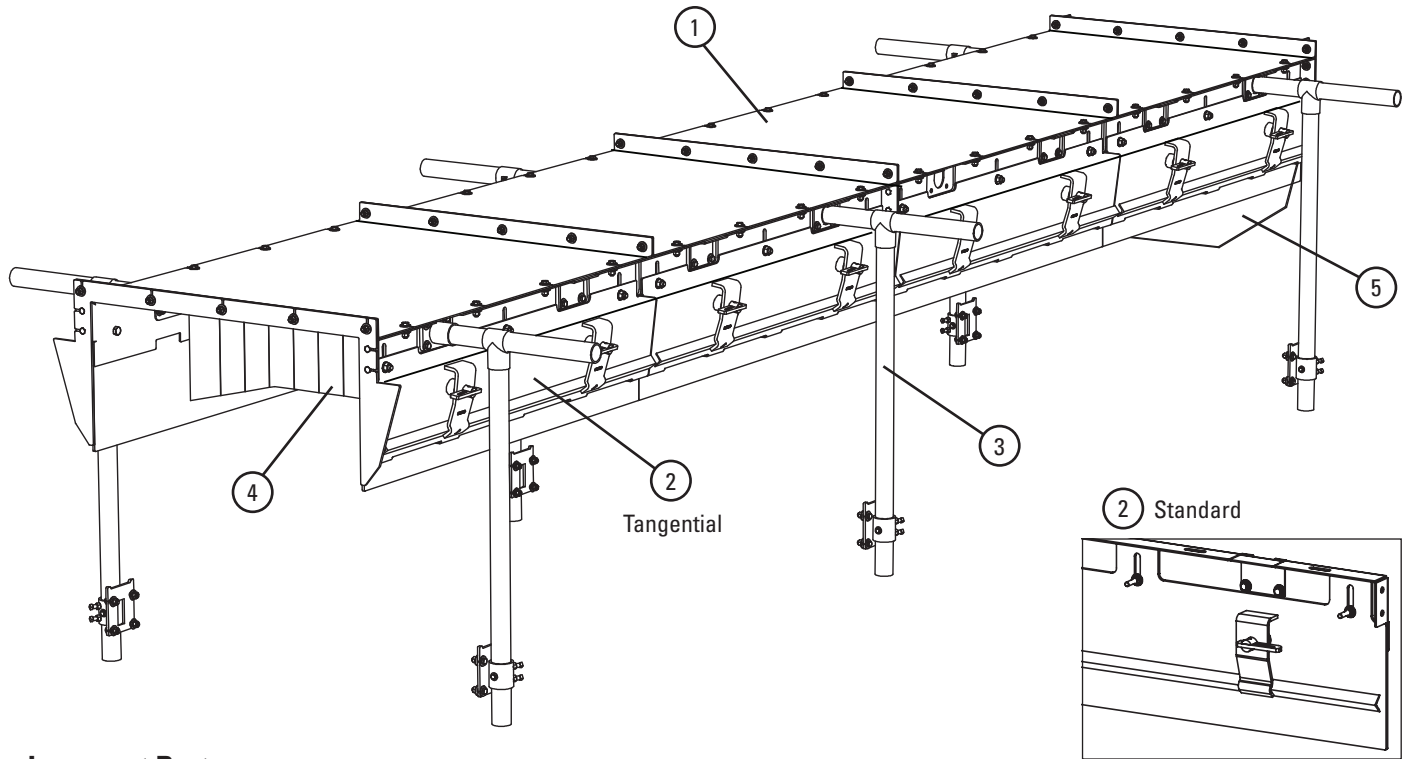
8' (2.4 m) Base Unit



BELT WIDTH (in)	A (in)	B (in)	C (in)	D (in)
24	16	21.9	45.8	38.5
30	20	25.9	51.8	38.5
36	24	29.9	57.8	38.5
42	28	33.9	63.8	41.5
48	32	37.9	69.8	41.5
54	36	41.9	75.8	41.5
60	40	45.9	81.8	44.5
66	44	49.9	87.8	44.5
72	48	53.9	93.8	44.5
84	56	57.9	105.8	47.5
96	64	61.9	117.8	50.5

Replacement Parts

Enclosed Skirting



Replacement Parts

REF	DESCRIPTION	ORDERING NUMBER	ITEM CODE	WT. LBS.
1	24" (600mm) Cover	SKC-24	91751	41.8
	30" (750mm) Cover	SKC-30	91752	49.5
	36" (900mm) Cover	SKC-36	91753	57.3
	42" (1050mm) Cover	SKC-42	91754	65.3
	48" (1200mm) Cover	SKC-48	91755	73.3
	54" (1350mm) Cover	SKC-54	91756	81.0
	60" (1500mm) Cover	SKC-60	91757	88.8
	66" (1650mm) Cover	SKC-66	91758	96.5
	72" (1800mm) Cover	SKC-72	91759	104.6
	84" (2100mm) Cover	SKC-84	91760	120.0
96" (2400mm) Cover	SKC-96	91761	135.8	
2	Standard AR400 Wear Plate*	SL-48	91841	45.4
	Tangential AR400 Wear Plate*	TL-48	91842	45.6
3	24" (600mm) Leg Kit**	LA-24	91762	36.0
	30" (750mm) Leg Kit**	LA-30	91763	37.4
	36" (900mm) Leg Kit**	LA-36	91764	38.7
	42" (1050mm) Leg Kit**	LA-42	91765	41.4
	48" (1200mm) Leg Kit**	LA-48	91766	42.7
	54" (1350mm) Leg Kit**	LA-54	91835	44.0
	60" (1500mm) Leg Kit**	LA-60	91836	46.7
	66" (1650mm) Leg Kit**	LA-66	91837	48.0
	72" (1800mm) Leg Kit**	LA-72	91838	49.4
	84" (2100mm) Leg Kit**	LA-84	91839	53.4
96" (2400mm) Leg Kit**	LA-96	91840	57.4	

Hardware Included:

*Item is single plate; two plates are required for every 4' (1200 mm) base unit and four plates are required for every 8' (2400 mm) base unit

**Kit includes 2 vertical legs, 1 crossmember, joints/mounts, and hardware

Lead time: 1 working day

Replacement Rubber

REF	DESCRIPTION	ORDERING NUMBER	ITEM CODE	WT. LBS.
4	24" (600mm) Dust Curtain Rubber	DCRR-24	92159	4.1
	30" (750mm) Dust Curtain Rubber	DCRR-30	92160	4.8
	36" (900mm) Dust Curtain Rubber	DCRR-36	92161	5.4
	42" (1050mm) Dust Curtain Rubber	DCRR-42	92162	6.0
	48" (1200mm) Dust Curtain Rubber	DCRR-48	92163	6.8
	54" (1350mm) Dust Curtain Rubber	DCRR-54	92164	7.2
	60" (1500mm) Dust Curtain Rubber	DCRR-60	92165	7.7
	66" (1650mm) Dust Curtain Rubber	DCRR-66	92166	8.3
	72" (1800mm) Dust Curtain Rubber	DCRR-72	92167	8.6
	84" (2100mm) Dust Curtain Rubber	DCRR-84	92168	8.5
96" (2400mm) Dust Curtain Rubber	DCRR-96	92169	10.0	
5	24" (600mm) Rear Seal Rubber	RSRR-24	92170	3.6
	30" (750mm) Rear Seal Rubber	RSRR-30	92171	4.2
	36" (900mm) Rear Seal Rubber	RSRR-36	92172	5.0
	42" (1050mm) Rear Seal Rubber	RSRR-42	92173	5.7
	48" (1200mm) Rear Seal Rubber	RSRR-48	92174	6.5
	54" (1350mm) Rear Seal Rubber	RSRR-54	92175	7.3
	60" (1500mm) Rear Seal Rubber	RSRR-60	92176	8.1
	66" (1650mm) Rear Seal Rubber	RSRR-66	92177	8.9
	72" (1800mm) Rear Seal Rubber	RSRR-72	92178	9.8
	84" (2100mm) Rear Seal Rubber	RSRR-84	92179	11.7
96" (2400mm) Rear Seal Rubber	RSRR-96	92180	13.8	

Shaded items are made to order.

Lead time: 3 weeks

Lead time: 6 weeks

Product Ordering Information

Standard Polyurethane Skirting

With 35° Chamfer - 25' (7.6 m)

HEIGHT		THICKNESS		LENGTH		ORDERING NUMBER	ITEM CODE	WT. LBS.
in.	mm	in.	mm	ft.	m			
4	100	3/8	10	25	7.6	SKPU-4X3/8X25	91288	21.2
4	100	1/2	12	25	7.6	SKPU-4X1/2X25	91289	28.2
4	100	5/8	16	25	7.6	SKPU-4X5/8X25	91290	35.3
4	100	3/4	19	25	7.6	SKPU-4X3/4X25	91291	42.3
4	100	1	25	25	7.6	SKPU-4X1X25	91292	56.4
6	150	3/8	10	25	7.6	SKPU-6X3/8X25	91298	31.7
6	150	1/2	12	25	7.6	SKPU-6X1/2X25	90283	42.3
6	150	5/8	16	25	7.6	SKPU-6X5/8X25	91299	52.9
6	150	3/4	19	25	7.6	SKPU-6X3/4X25	90284	63.5
6	150	1	25	25	7.6	SKPU-6X1X25	91300	84.6
8	200	3/8	10	25	7.6	SKPU-8X3/8X25	91304	42.3
8	200	1/2	12	25	7.6	SKPU-8X1/2X25	90285	56.4
8	200	5/8	16	25	7.6	SKPU-8X5/8X25	91305	70.5
8	200	3/4	19	25	7.6	SKPU-8X3/4X25	90286	84.6
8	200	1	25	25	7.6	SKPU-8X1X25	91306	112.8
10	250	3/8	10	25	7.6	SKPU-10X3/8X25	91310	52.9
10	250	1/2	12	25	7.6	SKPU-10X1/2X25	91311	70.5
10	250	5/8	16	25	7.6	SKPU-10X5/8X25	91312	88.1
10	250	3/4	19	25	7.6	SKPU-10X3/4X25	91313	105.8
10	250	1	25	25	7.6	SKPU-10X1X25	91314	141.0
12	300	3/8	10	25	7.6	SKPU-12X3/8X25	91320	63.5
12	300	1/2	12	25	7.6	SKPU-12X1/2X25	91321	84.6
12	300	5/8	16	25	7.6	SKPU-12X5/8X25	91322	105.8
12	300	3/4	19	25	7.6	SKPU-12X3/4X25	91323	126.9
12	300	1	25	25	7.6	SKPU-12X1X25	91324	169.2

Price Per Inch for reference only; standard skirting is available in 25' (15.2 m) lengths.
Lead time: 1 working day



With 35° Chamfer - 50' (15.2 m)

HEIGHT		THICKNESS		LENGTH		ORDERING NUMBER	ITEM CODE	WT. LBS.
in.	mm	in.	mm	ft.	m			
4	100	3/8	10	50	15.2	SKPU-4X3/8X50	91293	42.3
4	100	1/2	12	50	15.2	SKPU-4X1/2X50	91294	56.4
4	100	5/8	16	50	15.2	SKPU-4X5/8X50	91295	70.5
4	100	3/4	19	50	15.2	SKPU-4X3/4X50	91296	84.6
4	100	1	25	50	15.2	SKPU-4X1X50	91297	112.8
6	150	3/8	10	50	15.2	SKPU-6X3/8X50	91301	63.5
6	150	1/2	12	50	15.2	SKPU-6X1/2X50	91222	84.6
6	150	5/8	16	50	15.2	SKPU-6X5/8X50	91302	105.8
6	150	3/4	19	50	15.2	SKPU-6X3/4X50	91223	126.9
6	150	1	25	50	15.2	SKPU-6X1X50	91303	169.2
8	200	3/8	10	50	15.2	SKPU-8X3/8X50	91307	84.6
8	200	1/2	12	50	15.2	SKPU-8X1/2X50	91224	112.8
8	200	5/8	16	50	15.2	SKPU-8X5/8X50	91308	141.0
8	200	3/4	19	50	15.2	SKPU-8X3/4X50	91225	169.2
8	200	1	25	50	15.2	SKPU-8X1X50	91309	225.6
10	250	3/8	10	50	15.2	SKPU-10X3/8X50	91315	105.8
10	250	1/2	12	50	15.2	SKPU-10X1/2X50	91316	141.0
10	250	5/8	16	50	15.2	SKPU-10X5/8X50	91317	176.3
10	250	3/4	19	50	15.2	SKPU-10X3/4X50	91318	211.5
10	250	1	25	50	15.2	SKPU-10X1X50	91319	282.0
12	300	3/8	10	50	15.2	SKPU-12X3/8X50	91325	126.9
12	300	1/2	12	50	15.2	SKPU-12X1/2X50	91326	169.2
12	300	5/8	16	50	15.2	SKPU-12X5/8X50	91327	211.5
12	300	3/4	19	50	15.2	SKPU-12X3/4X50	91328	253.8
12	300	1	25	50	15.2	SKPU-12X1X50	91329	338.4

Price Per Inch for reference only; standard skirting is available in 25' (15.2 m) lengths.
Lead time: 1 working day

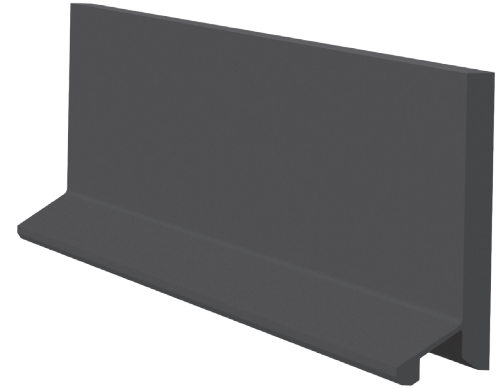
Product Notes:

- Urethane skirting offers a more wear-resistant material than typical rubber, often providing as much as 3–4 times the wear life in similar applications. The lower coefficient of friction reduces strain on the system.
- Works with Flexco series of skirt clamps that offer simple serviceability: RMC1/PAL-Pak, Flex-Lok, and Flex-Seal.
- Uses soft durometer (65A) urethane with exceptional tear resistance to ensure a good seal and long belt life.
- 25' (7.6 m) roll size ensures easy transportation, while the 35° chamfer eliminates the typical skirting break-in period.
- Suitable for most applications: single direction or reversing belts, wet or dry conditions, old or new belts, vulcanized or mechanically-spliced systems.
- Rated for temperatures from -20 to 180°F (-30 to 82°C).

Shaded items are made to order.
Lead time: 1-2 weeks

Product Ordering Information

Dual Seal Polyurethane Skirting




Dual Seal Polyurethane Skirting

HEIGHT		THICKNESS		LENGTH		CHAMFER	ORDERING NUMBER	ITEM CODE	WT. LBS.
in.	mm	in.	mm	ft.	m				
6	150	1/2	12	25	7.6	35°	SKPU-DUAL-6X1/2X25	91400	47.0
6	150	3/4	20				SKPU-DUAL-6X3/4X25	91401	67.8
8	200	1/2	12				SKPU-DUAL-8X1/2X25	91402	60.5
8	200	3/4	20				SKPU-DUAL-8X3/4X25	91403	88.1
6	150	1/2	12	50	15.2		SKPU-DUAL-6X1/2X50	91404	94.0
6	150	3/4	20				SKPU-DUAL-6X3/4X50	91405	135.5
8	200	1/2	12				SKPU-DUAL-8X1/2X50	91406	121.0
8	200	3/4	20				SKPU-DUAL-8X3/4X50	91407	176.1

Price Per Inch for reference only; skirting is available standard in 25' (7.6 m) lengths.

Lead time: 1 working day

 Shaded items are made to order.
Lead time: 1 week

Product Notes:

- Secondary seal provides a floating contact area behind the main slab to prevent spillage.
- Polyurethane skirting offers a more wear-resistant material than typical rubber, often providing as much as 3-4 times the wear life in similar applications. The lower coefficient of friction reduces strain on the system.
- Works with Flexco series of skirt clamps that offer simple serviceability: RMC1/PAL-Pak, Flex-Lok™, and Flex-Seal™.
- Uses soft durometer (65A) polyurethane with exceptional tear resistance to ensure a good seal and long belt life.
- 25' (7.6 m) roll size ensures easy transportation, while the 35° chamfer eliminates the typical skirting break-in period.
- Suitable for most applications: single direction or reversing belts, wet or dry conditions, old or new belts, vulcanized or mechanically-spliced systems.
- Rated for temperatures from -20 to 180°F (-30 to 82°C).

Product Ordering Information

RMC1 Skirt Clamps

RMC1 Skirt Clamps*

DESCRIPTION	ORDERING NUMBER	ITEM CODE	WT. LBS.
Skirt Clamp	RMC1	75817	11.6
LS Skirt Clamp	RMC1-LS	75834	10.4
Skirt Clamp 50 Pack	RMC1-50	75833	580.0

*Includes two clamp plates (Standard or LS - Limited Space), two clamp pins, and one 4' (1.2 m) clamp bar.

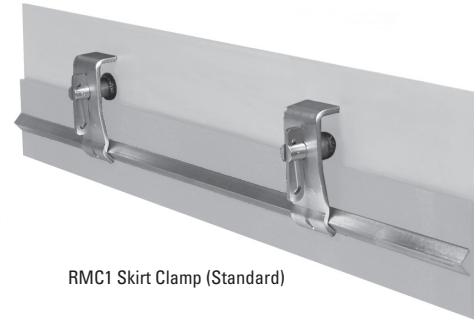
Skirt board and rubber not included.

Skirt Rubber Thickness Range: 5/16 to 3/4" (8 to 19 mm).

Lead time: 1 working day



Anti-Vibration Clamp Pins

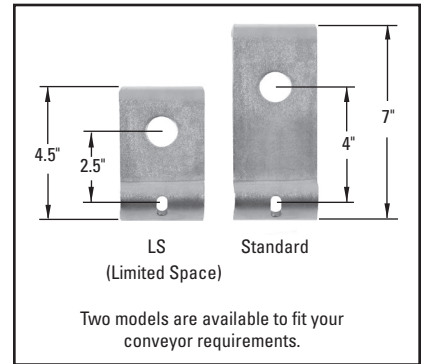


RMC1 Skirt Clamp (Standard)

Replacement Parts

DESCRIPTION	ORDERING NUMBER	ITEM CODE	WT. LBS.
Clamp Pin	RMC1-CP	75819	1.1
Bolt-On Clamp Pin	RMC1-BCP	76414	1.0
Clamp Plate	RMC1-PL	75821	2.1
LS Clamp Plate	RMC1LS-PL	75835	1.5
Clamp Bar	RMC1-CB	75820	4.0

Lead time: 1 working day



PAL PAKs

The Pick-A-Length (PAL) PAK contains (2) clamp plates and (2) clamp pins. You supply the clamp bar (1" x 1" x 1/8" angle) to your required length.

PAL PAKs per System Length

Skirting System Length	1-4' (0.3-1.2M)	5-8' (1.5-2.4M)	9-12' (2.8-3.8M)	13-16' (4.0-4.9M)	17-20' (5.2-6.1M)
PAL PAKs Needed	1	2	3	4	5

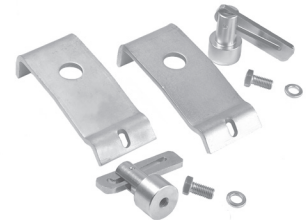
Replacement Parts

DESCRIPTION	ORDERING NUMBER	ITEM CODE	WT. LBS.
PAL PAK	RMC1-PP	75832	6.6
LS PAL PAK	RMC1-LSPP	75836	5.4
Bolt-On PAL PAK	RMC1-BPP	76415	6.5
Bolt-On LS PAL PAK	RMC1-LSBPP	76538	5.3

Lead time: 1 working day



PAL PAK (Standard)



Bolt-On PAL PAK (Standard)

Product Notes:

- Solves material spillage problems in the conveyor loading zone.
- Stops material loss, eliminates safety hazards, and reduces wear on conveyor components.
- LS (Limited Space) model for restricted space areas and for portable equipment.
- Pick-A-Length (PAL) PAK option for special or longer length requirements.
- Bolt-on Clamp Pins eliminate welding on applications where sparking can be a safety hazard.
- Anti-Vibration (standard) Clamp Pin stays locked even in applications with severe vibration.

Product Ordering Information

Flex-Lok™ Skirt Clamps

Flex-Lok™ Skirt Clamp

One Skirt Clamp includes (1) 6' (1.8 m) clamp runner, (4) clamp plates, (4) clamp pins, and (1) 6' (1.8 m) restraining bar.

DESCRIPTION	ORDERING NUMBER	ITEM CODE	WT. LBS.
Skirt Clamp	FLSC-I	71052	31.1
Skirt Clamp 50 Pack	FLSC-I-50	71054	1,555.0

Lead time: 1 working day

Mini Flex-Lok™ Skirt Clamp

One Mini Skirt Clamp includes (1) 6' (1.8 m) clamp runner, (3) mini clamp plates, (3) clamp pins, and (1) 6' (1.8 m) restraining bar.

DESCRIPTION	ORDERING NUMBER	ITEM CODE	WT. LBS.
Mini Skirt Clamp	FLSCM-I	71055	27.6
Mini Skirt Clamp 50 Pack	FLSCM-I-50	71100	1,380.0

Lead time: 1 working day

Stainless Steel Flex-Lok™ Skirt Clamp

One SS Skirt Clamp includes (1) 6' (1.8 m) clamp runner, (4) clamp plates, (4) clamp pins, and (1) 6' (1.8 m) restraining bar.

DESCRIPTION	ORDERING NUMBER	ITEM CODE	WT. LBS.
SS Skirt Clamp	FLSC-ISS	75778	25.0

Lead time: 1 working day

Replacement Parts

DESCRIPTION	ORDERING NUMBER	ITEM CODE	WT. LBS.
FLEX-LOK™ SKIRT CLAMP			
Clamp Runner - 6' (1.8M)	FL-RPI	71058	7.3
Clamp Plate	FL-PC-I	71057	2.1
Clamp Pin	FL-CP-I	71141	1.9
Restraining Bar - 6' (1.8M)	FL-RBI	71060	11.3
MINI FLEX-LOK™ SKIRT CLAMP			
Clamp Runner - 6' (1.8M)	FL-RPI	71058	7.3
Mini Clamp Plate	FLM-PC	71140	1.5
Clamp Pin	FL-CP-I	71141	1.9
Restraining Bar - 6' (1.8M)	FL-RBI	71060	11.3
STAINLESS STEEL FLEX-LOK™ SKIRT CLAMP			
SS Clamp Plate	FL-PC-ISS	71168	1.9
Clamp Pin	FL-CP-ISS	71164	1.9

Skirt board & rubber not included.

Skirt rubber thickness range: 5/16-1" (8-25 mm)

Lead time: 1 working day

SERVICE MAINTENANCE:

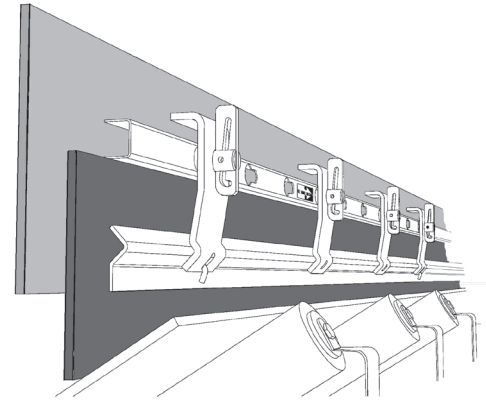
- Inspection – Periodically inspect the clearance between the skirt rubber and the belt. If this gap is more than 1/4" (6 mm) or if excessive fines are escaping, readjust the skirt rubber.
- Adjustment – Unlock the wedges on the clamp pins and slide the skirt rubber down to the belt. Relock the clamp pins.

TROUBLESHOOTING:

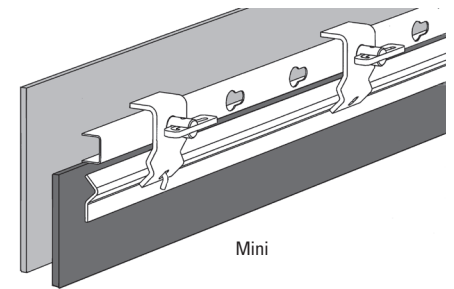
Problem: Skirt rubber slips out of skirt clamp.

Solution: 1. Check to insure wedges in clamp pins are locked.

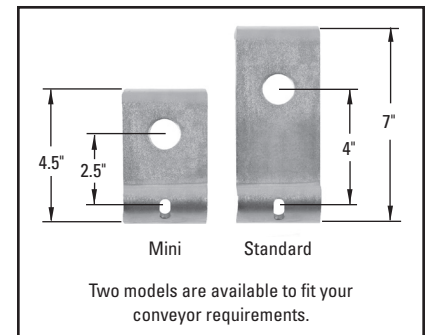
2. Check skirt rubber position. Skirt rubber must not fold and lie on top of belt.



Standard



Mini



Shaded items are made to order.
Lead time: 5 working days



Anti-Vibration Clamp Pins
(Standard)

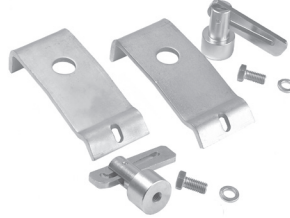
Product Ordering Information

Flex-Seal™ Skirt System

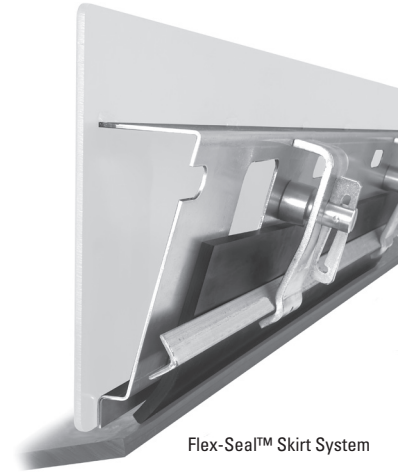
Flex-Seal™ Skirt System*

DESCRIPTION	ORDERING NUMBER	ITEM CODE	WT. LBS.
Flex-Seal Skirt System	RMC2-FS-1	76558	29.5
Flex-Seal Skirt System 50 Pack	RMC2-FS-50	77330	1,475.0

*Includes angle plate, one Bolt-On PAL PAK, and one 4' (1.2 m) clamp bar. Skirt board and rubber not included.
Lead time: 1 working day



Bolt-On PAL PAK

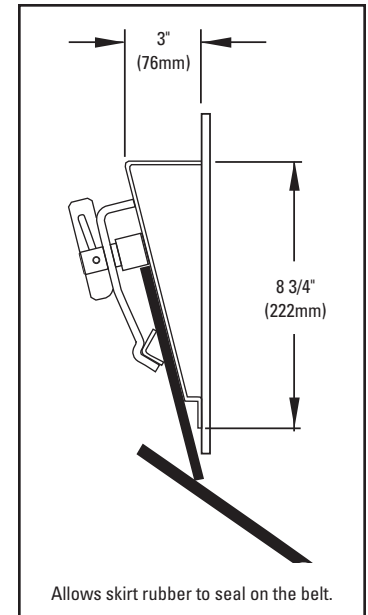


Flex-Seal™ Skirt System

Replacement Parts

DESCRIPTION	ORDERING NUMBER	ITEM CODE	WT. LBS.
Angle Plate	RMC2-FSAPK	76559	19.0
Bolt-On PAL PAK*	RMC1-BPP	76415	6.5
Clamp Bar	RMC1-CB	75820	4.0

*Includes 2 bolt-on clamp pins and 2 clamp plates.
Lead time: 1 working day



Specifications:

- Skirt Rubber Width Required.....6" (150 mm)
- Skirt Rubber Thickness Range.....5/16 to 3/4" (8 to 19 mm)

Product Notes:

- Solves material spillage problems in the conveyor loading zone.
- Stops material loss, eliminates safety hazards, and reduces wear on conveyor components.
- Anti-Vibration (standard) Clamp Pin with serrated wedge stays locked even in applications with severe vibration.

Product Ordering Information

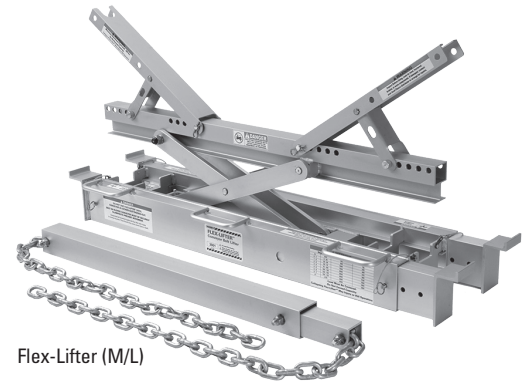
Flex-Lifter™ Flexco Belt Maintenance Tools

Flex-Lifter™ Conveyor Belt Lifter

Easy and safe way to lift tensioned belts so mechanical splicing or other maintenance work can be done.

DESCRIPTION	ORDERING NUMBER	ITEM CODE	WT. LBS.
Medium Flex-Lifter 36–60" (900–1500mm) (incl. return bar)	FL-M-SP	76981	91.0
Large Flex-Lifter 48–72" (1200–1800mm) (incl. return bar)	FL-L-SP	76982	128.0
XL Flex-Lifter 72–96" (1800–2400mm) (does not incl. return bar)	FL-XL-SP	77386	128.0
Flex-Lifter Cart	FLCK	77729	20.0

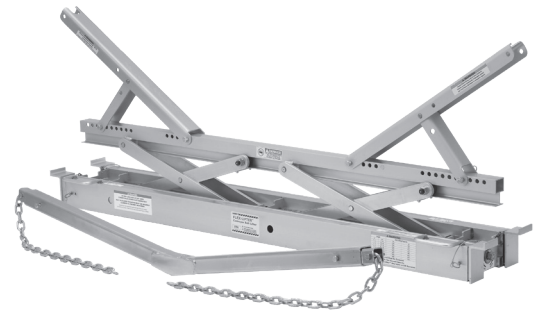
Lifts troughed or flat belts.
Lead time: 1 working day



Flex-Lifter (M/L)

Safe Lifting Capacity

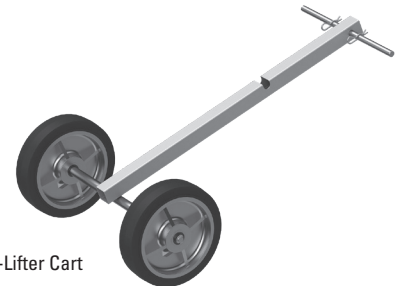
Height		Max. Weight			
		Medium/Large		XL	
in.	mm	lbs.	kg.	lbs.	kg.
0–1	0–25	500	225	1100	500
1–2	25–50	1000	450	1800	815
2–3	50–75	1500	675	2500	1140
3–4	75–100	2000	900	3200	1450
4–5	100–125	2500	1150	3700	1680
5–6	125–150	3000	1350	4600	2090
6–7	150–175	3500	1600	5300	2400
>7	>175	4000	1800	6000	2725



Flex-Lifter (XL)

Aluminum Content Flex-Lifter

ALUMINUM ALLOY TYPE	PERCENT	
	Mg Magnesium	Ti Titanium
4043	0.05%	0.2%
5356	5.5%	0.2%
6005	0.6%	0.1%
6061	1.0%	0.0%
6063	0.7%	0.0%
7075	2.5%	0.0%



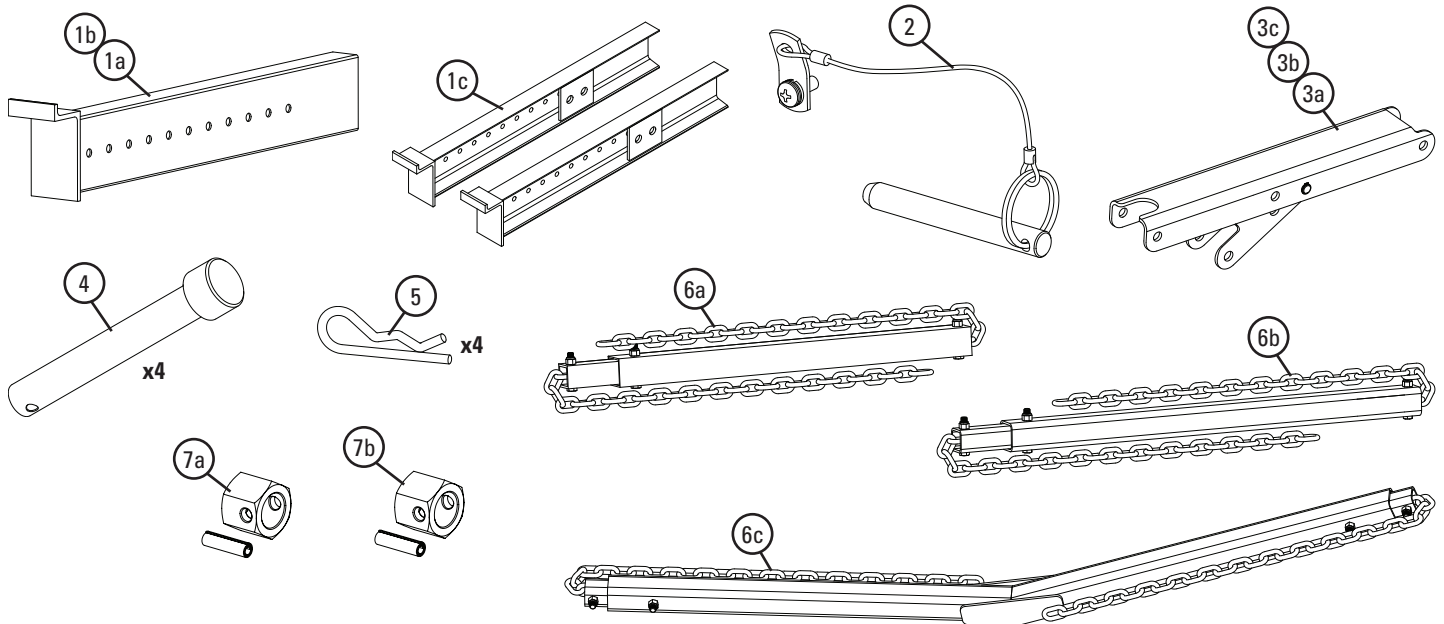
Flex-Lifter Cart

Product Ordering Information

Flex-Lifter™
Flexco Belt Maintenance Tools

Replacement Parts

REF	DESCRIPTION	ORDERING NUMBER	ITEM CODE	WT. LBS.
1a	Extension Leg – Medium	FLEL-M	76472	3.1
1b	Extension Leg – Large	FLEL-L	76473	3.7
1c	Extension Leg Kit – XL (incl. 2 ext. legs)	FLELK-XL	76986	13.1
2	Extension Leg Pin (with lanyard)	FLELP	76474	0.1
3a	Trough Wing – Medium (with brace)	FLTW-M-SP	77408	1.2
3b	Trough Wing – Large (with brace)	FLTW-L-SP	77409	1.5
3c	Trough Wing – XL (with brace)	FLTW-XL-SP	77410	4.2
4	Retainer Pin Pack (incl. (4) pins)	FLRP	76478	1.0
5	Retainer Clip Pack (incl. (4) clips)	FLCP	76479	0.1
6a	Return Lift Bar – Medium	FLRLB-M-SP	77405	25.0
6b	Return Lift Bar – Large	FLRLB-L-SP	77406	50.0
6c	V-Return Lift Bar – XL	FLVRL-XL-SP	77407	63.0
7a	Shear Pin Kits – Medium/Large	FL-PKIT-ML	77250	0.3
7b	Shear Pin Kits – XL	FL-PKIT-XL	77251	0.5



Product Ordering Information

900 Series Belt Cutter Flexco Belt Maintenance Tools

900 Series Belt Cutter

DESCRIPTION	BELT WIDTH		ORDERING NUMBER	ITEM CODE	WT. LBS.
	in.	mm			
Cutter Complete for belts up to 1.5' (38 mm)	24	600	900924	04200	34.0
	36	900	900936	04143	39.4
	48	1200	900948	04144	48.0
	60	1500	900960	04145	54.0
	72	1800	900972	04146	60.3
	84	2130	900984	04147	86.0

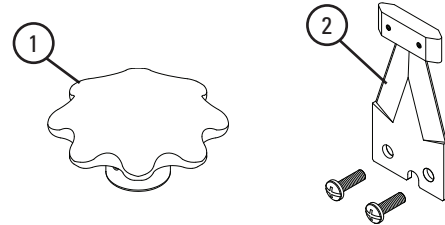
Lead time: 1 working day



Replacement Parts

REF	DESCRIPTION	ORDERING NUMBER	ITEM CODE	WT. LBS.
1	Knob 8 Point Kit	900CKK	106186	0.62
2	Replacement Blade Kit	900CBK	04149	0.15

Lead time: 1 working day



Aluminum Content

900 Series Belt Cutter

ALUMINUM ALLOY TYPE	PERCENT	
	Mg Magnesium	Ti Titanium
6005	0.60%	0.10%
6061	1.00%	0.00%
7075	2.50%	0.00%

Product Ordering Information

Electric Belt Cutter & Cordless Electric Belt Cutter Flexco Belt Maintenance Tools

Electric Belt Cutter

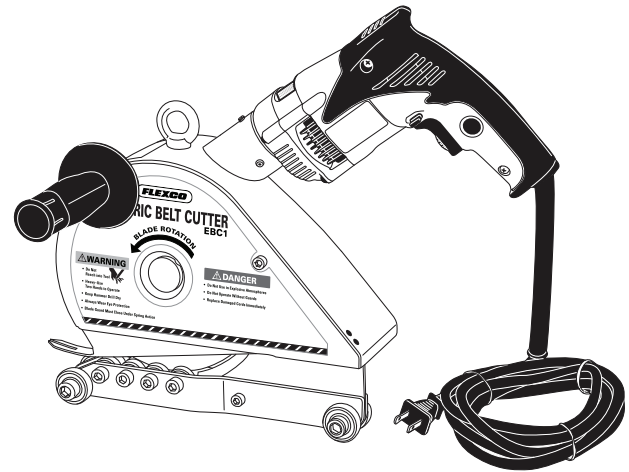
DESCRIPTION	ORDERING NUMBER	ITEM CODE	WT. LBS.
Electric Belt Cutter Complete	EBC1	30001	30.0
Electric Belt Cutter Complete	EBC2	30002	40.0
Cordless Electric Belt Cutter Complete	CEBC1	30018	30.0
Cordless Electric Belt Cutter Complete	CEBC2	30019	40.0
Electric Belt Cutter Complete 220V	EBC1-220	30011	30.0
Electric Belt Cutter Complete 220V	EBC2-220	30012	40.0
Cordless Electric Belt Cutter Complete 220V	CEBC1-220	30021	30.0
Cordless Electric Belt Cutter Complete 220V	CEBC2-220	30022	40.0

Lead time: 1 working day

Electric Belt Cutter – Tool Repair

DESCRIPTION	ITEM CODE
EBC1 – REFURBISH	30001RPR
EBC2 – REFURBISH	30002RPR
CEBC1 – REFURBISH	30018RPR
CEBC2 – REFURBISH	30019RPR

NOTE: PLEASE DO NOT SEND REPAIR TOOLS WITH BATTERIES. Due to the US Dept of Transportation rules, Flexco is unable to ship used batteries back to customers and they will be disposed. Contact Customer Experience to request a tool repair. Additional charges may apply depending on the extent of the repair. Flexco Customer Experience will advise prior to any work.



Cutting Capacity

BELT TYPE	EBC1/CEBC1	EBC2/CEBC2
Rubber	Up to 1" (25mm)	Up to 2" (50mm)
PVC	Up to 360 PIW (630 kN/m)	Up to 1140 PIW (2000 kN/m)

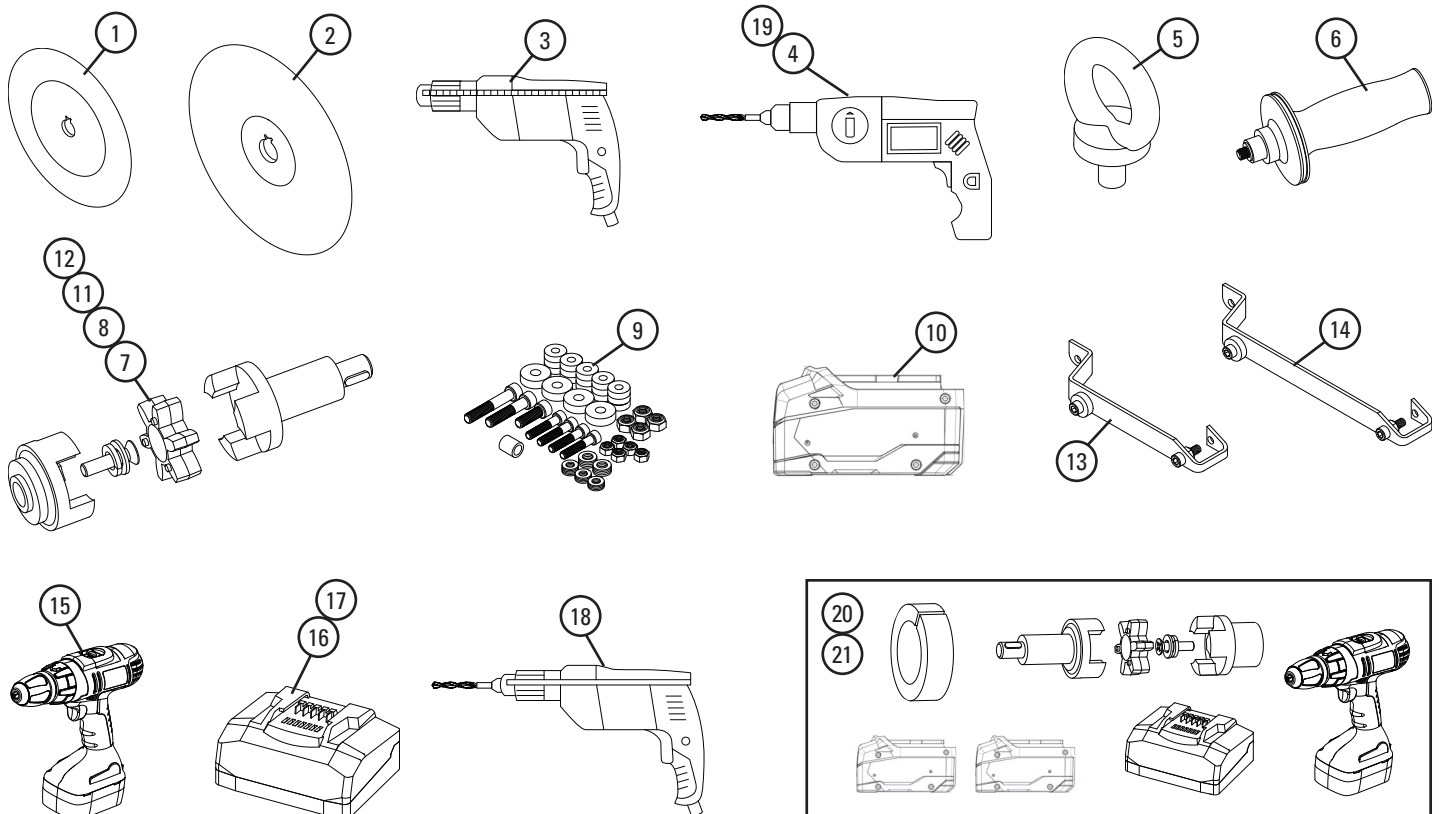
Product Ordering Information

Electric Belt Cutter & Cordless Electric Belt Cutter Flexco Belt Maintenance Tools

Replacement Parts

REF	DESCRIPTION	ORDERING NUMBER	ITEM CODE	WT. LBS.
1	EBC1/CEBC1 Blade	EBC1/CEBC1-B	30003	2.0
2	EBC2/CEBC2 Blade	EBC2/CEBC2-B	30004	2.8
3	EBC1 Drill Milwaukee	EBC1-DR	30005	7.5
4	EBC2 Drill Metabo	EBC2-DR	30006	12.1
5	Eye Bolt	EBC/CEBC-EB	30007	0.9
6	Handle	EBC/CEBC-H	30008	0.4
7	EBC1 Coupling	EBC1-CPLGM	108047	0.2
8	EBC2 Coupling	EBC2-CPLGM	108048	0.2
9	Bearing RPLC Kit	EBC/CEBC-BK	30024	1.1
10	CEBC1/CEBC2 Battery Metabo	CEBC1/CEBC2-BATMET	111390	1.5
11	EBC1/CEBC1 Coupling	CEBC1-CPLGM	108045	0.2
12	EBC2/CEBC2 Coupling	CEBC2-CPLGM	108046	0.2
13	EBC1/CEBC1 Retro Fit Rail Kit	EBC1/CEBC1-RK	30033	1.3
14	EBC2/CEBC2 Retro Fit Rail Kit	EBC2/CEBC2-RK	30034	1.6
15	CEBC1/CEBC2 Metabo Drill	CEBC1/CEBC2-DRM	108043	4.0
16	CEBC1/CEBC2 Charger Metabo	METABO-CHGR110	30369	1.3
17	CEBC1-220/CEBC2-220 Charger Metabo	METABO-CHGR220	114974	1.3
18	EBC1-220 Drill Hitachi	EBC1-220-DR	30013	7.5
19	EBC2-220 Drill Metabo	EBC2-220-DR	30014	12.1
20	CEBC1 Makita XPH03MB to Metabo Upgrade (incl. (1) ea. item 15, 16 & (2) ea. item 10, coupling, & collar)	CEBC1-DUK	108384	4.5
21	CEBC2 Makita XFD03M to Metabo Upgrade (incl. (1) ea. item 15, 16 & (2) ea. item 10, coupling, & collar)	CEBC2-DUK	108385	4.5

Lead time: 1 working day



Product Ordering Information

Far-Pul™ HD® Belt Clamps Flexco Belt Maintenance Tools

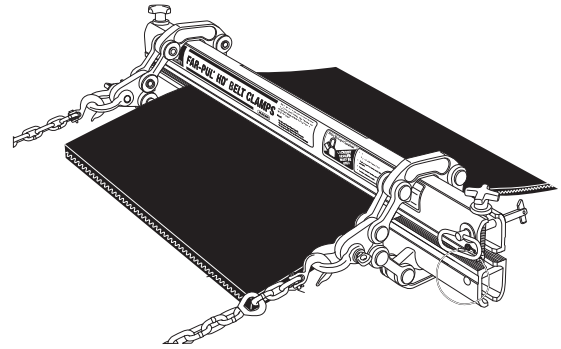
Far-Pul™ HD® Belt Clamps

Load Capacity up to 3 tons (2.7 metric tons) when used with two 1-1/2 ton (1.4 metric ton) come-alongs.

DESCRIPTION	BELT WIDTH		ORDERING NUMBER	ITEM CODE	WT. LBS.
	in.	mm			
Belt Clamp Complete includes: 4 Belt Clamp Bars, 4 Belt Clamp Scissors	Up to 30	Up to 750	LSHD30	30393	79.0
	Up to 36	Up to 900	LSHD36	30394	87.0
	Up to 42	Up to 1050	LSHD42	30395	91.0
	Up to 48	Up to 1200	LSHD48	30396	98.0
	Up to 54	Up to 1350	LSHD54	30397	103.0
	Up to 60	Up to 1500	LSHD60	30398	110.0
	Up to 72	Up to 1800	LSHD72	30399	121.0
30" Belt Clamp Bar Set*	Up to 30	Up to 750	LSHDB30-2	30418	20.0
36" Belt Clamp Bar Set*	Up to 36	Up to 900	LSHDB36-2	30414	23.0
42" Belt Clamp Bar Set*	Up to 42	Up to 1050	LSHDB42-2	30421	26.0
48" Belt Clamp Bar Set*	Up to 48	Up to 1200	LSHDB48-2	30423	30.0
54" Belt Clamp Bar Set*	Up to 54	Up to 1350	LSHDB54-2	30424	33.0
60" Belt Clamp Bar Set*	Up to 60	Up to 1500	LSHDB60-2	30430	36.0
72" Belt Clamp Bar Set*	Up to 72	Up to 1800	LSHDB72-2	30408	40.0

*Includes 2 bars per set

Bar length = belt width + 10" (250 mm)



Replacement Parts

REF	DESCRIPTION	ORDERING NUMBER	ITEM CODE	WT. LBS.
1	Steel Belt Clamp Scissor (1 ea.)	LSHDS	30392	10.5
2	Belt Locator Pin (incl. washer, locking nut)	LSHDLP	30400	0.15
3	Retaining Pin Kit	LSHD-RPK	30390	2.0
4	Clamp Bar Screw	LSHDCBS	30373	1.0
5	Clamp Bar Pivot Pin (Pair) (incl. (2) roll pin)	LSHDPP	30052	1.0

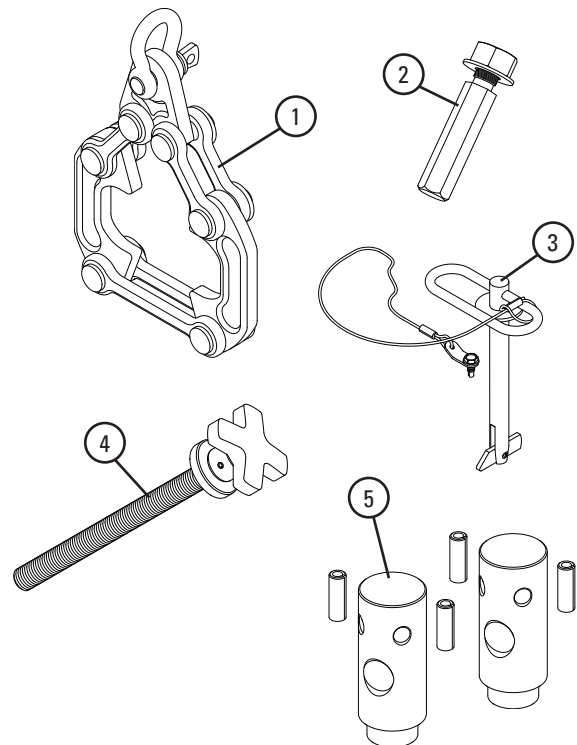
Lead time: 1 working day

Shaded items are made to order.
Lead time: 5 working days

Aluminum Content

Far-Pul™ HD®

ALUMINUM ALLOY TYPE	PERCENT	
	Mg Magnesium	Ti Titanium
6061	1.0%	0.0%



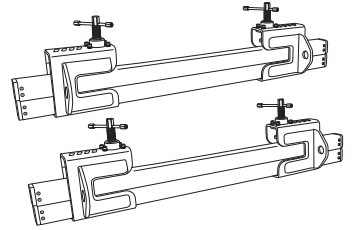
Product Ordering Information

TUG™ HD® Belt Clamps Flexco Belt Maintenance Tools

TUG™ HD® Belt Clamps

DESCRIPTION	MAX. BELT WIDTH		6 TON			8 TON		
	in.	mm	ORDERING NUMBER	ITEM CODE	WT. LBS.	ORDERING NUMBER	ITEM CODE	WT. LBS.
TUG™ HD® Belt Clamp set includes 4 aluminum clamp bars and steel clamp ends.	36	900	TUG6-36-AL	31700	134.0	TUG8-36-AL	31706	178.0
	42	1050	TUG6-42-AL	31701	141.0	TUG8-42-AL	31707	189.0
	48	1200	TUG6-48-AL	31702	148.0	TUG8-48-AL	31708	200.0
	54	1400	TUG6-54-AL	31703	155.0	TUG8-54-AL	31709	211.0
	60	1600	TUG6-60-AL	31704	162.0	TUG8-60-AL	31710	222.0
	72	1800	TUG6-72-AL	31705	176.0	TUG8-72-AL	31711	244.0
	84	2200	N/A			TUG8-84-AL	31712	266.0
	96	2400	N/A			TUG8-96-AL	31713	288.0

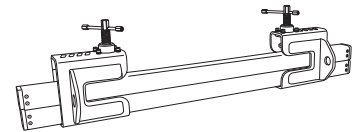
Lead time: 1 working day



Replacement Clamps - Pair

DESCRIPTION	MAX. BELT WIDTH		6 TON			8 TON		
	in.	mm	ORDERING NUMBER	ITEM CODE	WT. LBS.	ORDERING NUMBER	ITEM CODE	WT. LBS.
TUG™ HD® Belt Clamp pair includes 2 aluminum clamp bars and steel clamp ends.	36	900	TUG6P-36-AL	31714	67.0	TUG8P-36-AL	31720	89.0
	42	1050	TUG6P-42-AL	31715	71.0	TUG8P-42-AL	31721	95.0
	48	1200	TUG6P-48-AL	31716	74.0	TUG8P-48-AL	31722	100.0
	54	1400	TUG6P-54-AL	31717	78.0	TUG8P-54-AL	31723	106.0
	60	1600	TUG6P-60-AL	31718	81.0	TUG8P-60-AL	31724	111.0
	72	1800	TUG6P-72-AL	31719	88.0	TUG8P-72-AL	31725	122.0
	84	2200	N/A			TUG8P-84-AL	31726	133.0
	96	2400	N/A			TUG8P-96-AL	31727	144.0

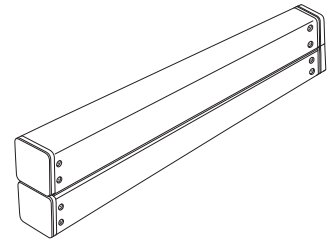
Lead time: 1 working day



Replacement Bars - Pair

DESCRIPTION	MAX. BELT WIDTH		6 TON			8 TON		
	in.	mm	ORDERING NUMBER	ITEM CODE	WT. LBS.	ORDERING NUMBER	ITEM CODE	WT. LBS.
TUG™ HD® Belt Clamps pair replacement bars includes 2 aluminum clamp bars.	12	300	TUG6B-12-AL	31728	7.0	TUG8B-12-AL	31735	11.0
	36	900	TUG6B-36-AL	31729	21.0	TUG8B-36-AL	31736	33.0
	42	1050	TUG6B-42-AL	31730	25.0	TUG8B-42-AL	31737	39.0
	48	1200	TUG6B-48-AL	31731	28.0	TUG8B-48-AL	31738	44.0
	54	1400	TUG6B-54-AL	31732	32.0	TUG8B-54-AL	31739	50.0
	60	1600	TUG6B-60-AL	31733	35.0	TUG8B-60-AL	31740	55.0
	72	1800	TUG6B-72-AL	31734	42.0	TUG8B-72-AL	31741	66.0
	84	2200	N/A			TUG8B-84-AL	31742	77.0
	96	2400	N/A			TUG8B-96-AL	31743	88.0

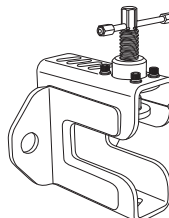
Lead time: 1 working day



Replacement Clamp Ends

DESCRIPTION	ORDERING NUMBER	ITEM CODE	WT. LBS.
TUG™ HD® Clamp End replacement include 1 steel clamp end.	TUG6E	31744	23.0
	TUG8E	31747	28.0

Lead time: 1 working day



Aluminum Content TUG™ HD® Belt Clamps

ALUMINUM ALLOY TYPE	PERCENT	
	Mg Magnesium	Ti Titanium
6061	1.00%	0%

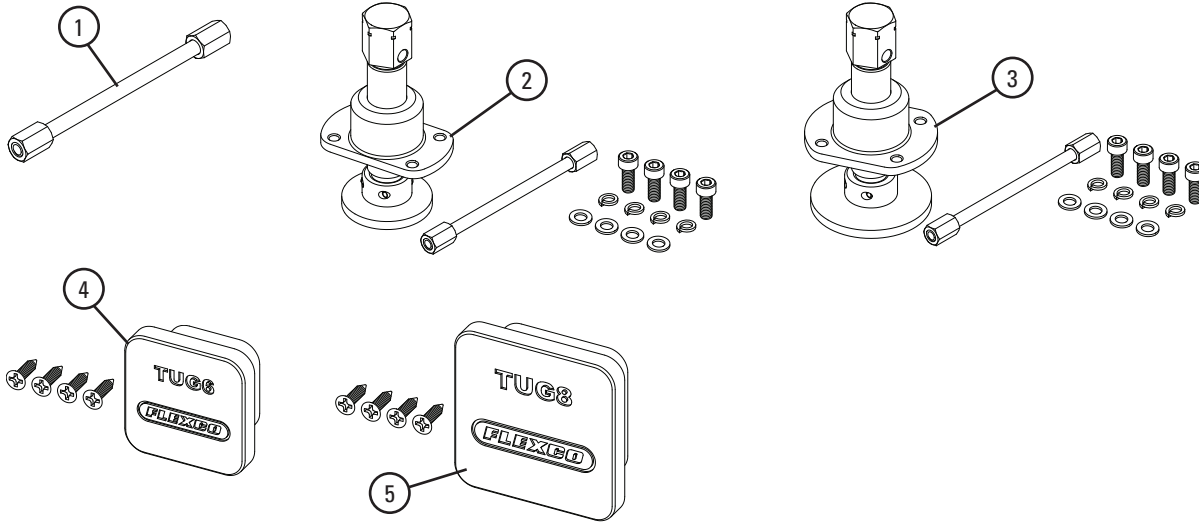
Product Ordering Information

TUG™ HD® Belt Clamps Flexco Belt Maintenance Tools

Replacement Parts

REF	DESCRIPTION	ORDERING NUMBER	ITEM CODE	WT. LBS.
1	Tug Clamp Turn Handle	TUGH	31792	0.5
2	Tug 6 Clamp Screw	TUG6S	31793	3.0
3	Tug 8 Clamp Screw	TUG8S	31794	3.4
4	Tug 6 End Cap	TUG6C	31798	0.8
5	Tug 8 End Cap	TUG8C	31799	1.0

Lead time: 1 working day



Product Ordering Information

Flex-Lag® Rubber Lagging Bondable Pulley Lagging

Flex-Lag® Light Duty Rubber*

PATTERN	THICKNESS		LENGTH		MATERIAL	ORDERING NUMBER	ITEM CODE
	in.	mm	ft.	m			
Light Duty	0.3	7.5	11	3.3	SBR	7.5NLD3.3/11	71077

Lead time: 1 working day

Flex-Lag® Roll Lagging - SBR Rubber**

PATTERN	THICKNESS		LENGTH		ORDERING NUMBER	ITEM CODE
	in.	mm	ft.	m		
Diamond	3/8	10	21	6.5	10ND6.5/21	71002
Diamond	1/2	12	21	6.5	12ND6.5/21	71004
Diamond	5/8	15	21	6.5	15ND6.5/21	71006
Diamond	3/4	20	21	6.5	20ND6.5/21	71008
Diamond	1	25	21	6.5	25ND6.5/21	71152
Plain	3/8	10	21	6.5	10NP6.5/21	71010
Plain	1/2	12	21	6.5	12NP6.5/21	71012
Plain	5/8	15	21	6.5	15NP6.5/21	71017
Plain	3/4	20	21	6.5	20NP6.5/21	71021
Plain	1	25	21	6.5	25NP6.5/21	71163
Diamond Ceramic	1/2	12	21	6.5	12NDC6.5/21	71155
Medium Ceramic	5/8	15	21	6.5	CLMN6.5/21-15	62216

Lead time: 1 working day

Flex-Lag® Roll Lagging - FRAS Rubber**

PATTERN	THICKNESS		LENGTH		ORDERING NUMBER	ITEM CODE
	in.	mm	ft.	m		
Diamond	3/8	10	21	6.5	10FRD6.5/21	71014
Diamond	1/2	12	21	6.5	12FRD6.5/21	71016
Diamond	5/8	15	21	6.5	15FRD6.5/21	71018
Diamond	3/4	20	21	6.5	20FRD6.5/21	71019
Plain	3/8	10	21	6.5	10FRP6.5/21	71020
Plain	1/2	12	21	6.5	12FRP6.5/21	71022
Plain	5/8	15	21	6.5	15FRP6.5/21	71015
Plain	3/4	20	21	6.5	20FRP6.5/21	72129
Diamond Ceramic	1/2	12	21	6.5	12FRDC6.5/21	71159
Medium Ceramic	5/8	15	21	6.5	CLMFR6.5/21-15	61319

FRAS (Fire Resistant Anti Static) MSHA Certification # - MSHA NO. IC-190

Ordering Number Key: **N** - SBR, **FR** - FRAS, **P** - Plain, **D** - Diamond, **DC** - Diamond Ceramic, **LD** - Light Duty

Lead time: 1 working day

Shaded items are made to order.
Lead time: 8 -10 weeks

Specifications:

- Temperature Rating5 to 185°F (-15 to 85°C)
- Rubber Compound.....SBR (Styrene-Butadiene-Rubber)
- Rubber Hardness.....68 ± 3 Shore A
- Ceramic Compound
(Diamond Ceramic Lagging)Aluminum Oxide (Al₂O₃)
- Ceramic Hardness
(Diamond Ceramic Lagging)83 HRA Rockwell Hardness Scale A

Strips = Pulley Diameter (in) x 3.14 ÷ 8, then round up.

Rolls = $\frac{\text{Strips} \times (\text{Face Width} + 4")}{12}$

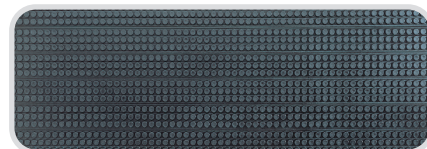
A or B

A = Light Duty = 132"; B = All Others = 252"

*For Flex-Lag® Light Duty Rubber all material is 8" (200 mm) wide and 10.8' (3.3 m) rolls.

**For Flex-Lag® Natural and Flame-Resistant Rubber, all material is 8" (200 mm) wide in 21' (6.5 m) rolls.

Flex-Lag® Light Duty Rubber Lagging



Flex-Lag® Diamond Ceramic Lagging



Flex-Lag® Diamond Grooved Rubber Lagging



Flex-Lag® Plain Grooved Rubber Lagging



Strip Selection

PULLEY DIAMETER		STRIPS REQ'D	PULLEY DIAMETER		STRIPS REQ'D
in.	mm		in.	mm	
12.6-15.0	320-381	6	42.6-45.0	1083-1145	18
15.1-17.5	382-445	7	45.1-47.5	1146-1210	19
17.6-20.0	446-510	8	47.6-50.1	1211-1273	20
20.1-22.5	511-573	9	50.2-52.6	1274-1336	21
22.6-25.0	574-636	10	52.7-55.1	1337-1400	22
25.1-27.5	637-700	11	55.2-57.6	1403-1463	23
27.6-30.0	701-764	12	57.7-60.1	1466-1527	24
30.1-32.5	765-827	13	60.2-62.6	1529-1590	25
32.6-35.0	828-891	14	62.7-65.1	1593-1654	26
35.1-37.5	892-955	15	65.2-67.6	1656-1717	27
37.6-40.0	956-1018	16	67.7-70.1	1720-1781	28
40.1-42.5	1019-1082	17	70.2-72.6	1783-1844	29

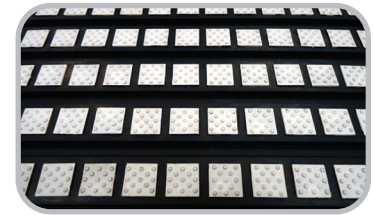
Product Ordering Information

Flex-Lag® Medium Ceramic Bondable Pulley Lagging

Flex-Lag® Medium Ceramic Lagging - SBR Rubber

THICKNESS		BELT WIDTH		CERAMIC LENGTH		STRIP LENGTH		DIMPLED TILE		SMOOTH TILE	
in.	mm	in.	mm	in.	mm	in.	mm	ORDERING NUMBER	ITEM CODE	ORDERING NUMBER	ITEM CODE
5/8	15	18	450	18 5/8	474	35	880	CLMN450/18-15	61294	CLMN450/18-15S	62052
		24	600	24 5/8	626	41	1032	CLMN600/24-15	61295	CLMN600/24-15S	62053
		30	750	30 5/8	779	47	1185	CLMN750/30-15	61296	CLMN750/30-15S	62054
		36	900	36 5/8	931	53	1337	CLMN900/36-15	61297	CLMN900/36-15S	62055
		42	1050	42 5/8	1082	59	1488	CLMN1050/42-15	61298	CLMN1050/42-15S	62056
		48	1200	48 5/8	1235	65	1641	CLMN1200/48-15	61299	CLMN1200/48-15S	62057
		54	1350	54 5/8	1388	71	1794	CLMN1350/54-15	61300	CLMN1350/54-15S	62058
		60	1500	60 5/8	1541	77	1947	CLMN1500/60-15	61301	CLMN1500/60-15S	62059
		72	1800	72 5/8	1842	89	2248	CLMN1800/72-15	61302	CLMN1800/72-15S	62060
		84	2100	84 7/8	2155	101	2561	CLMN2100/84-15	61303	CLMN2100/84-15S	62061

Lead time: 1 working day



Flex-Lag® Medium Ceramic Lagging

Flex-Lag® Medium Ceramic Lagging - FRAS Rubber

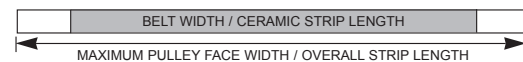
THICKNESS		BELT WIDTH		CERAMIC LENGTH		STRIP LENGTH		DIMPLED TILE		SMOOTH TILE	
in.	mm	in.	mm	in.	mm	in.	mm	ORDERING NUMBER	ITEM CODE	ORDERING NUMBER	ITEM CODE
5/8	15	18	450	18 5/8	474	35	880	CLMFR450/18-15	61308	CLMFR450/18-15S	62063
		24	600	24 5/8	626	41	1032	CLMFR600/24-15	61309	CLMFR600/24-15S	62064
		30	750	30 5/8	779	47	1185	CLMFR750/30-15	61310	CLMFR750/30-15S	62065
		36	900	36 5/8	931	53	1337	CLMFR900/36-15	61311	CLMFR900/36-15S	62066
		42	1050	42 5/8	1082	59	1488	CLMFR1050/42-15	61312	CLMFR1050/42-15S	62067
		48	1200	48 5/8	1235	65	1641	CLMFR1200/48-15	61313	CLMFR1200/48-15S	62068
		54	1350	54 5/8	1388	71	1794	CLMFR1350/54-15	61314	CLMFR1350/54-15S	62069
		60	1500	60 5/8	1541	77	1947	CLMFR1500/60-15	61315	CLMFR1500/60-15S	62070
		72	1800	72 5/8	1842	89	2248	CLMFR1800/72-15	61316	CLMFR1800/72-15S	62071
		84	2100	84 7/8	2155	101	2561	CLMFR2100/84-15	61317	CLMFR2100/84-15S	62072

FRAS (Fire Resistant Anti Static) MSHA Certification # - MSHA NO. IC-190

Ordering Number Key: **N** - SBR, **FR** - FRAS

Shaded items are made to order.
Lead time: 8 -10 weeks

CERAMIC STRIP CONFIGURATION



Strips Required = Pulley Diameter (in) x 3.14 ÷ 8, then round up.

Specifications:

- Temperature Rating 5 to 185°F (-15 to 85°C)
- Rubber Compound..... SBR (Styrene-Butadiene-Rubber)
- Rubber Hardness..... 68 ± 3 Shore A
- Ceramic Compound..... Aluminum Oxide (Al₂O₃)
- Ceramic Hardness..... 83 HRA Rockwell Hardness Scale A
- Ceramic Coverage..... 39%, strips are 8" (200 mm) wide

Product Notes:

- No wasted ceramic with easy-to-specify dimensions by using pulley or belt width.
- Constructed from individual ceramic tiles molded into high-durometer rubber for superior abrasion resistance.
- Horizontal grooves trap and deflect water.
- Molded ceramic buttons grip the belt's underside for positive traction and no slippage.

Strip Selection

PULLEY DIAMETER		STRIPS REQ'D	PULLEY DIAMETER		STRIPS REQ'D
in.	mm		in.	mm	
12.6–15.0	320–381	6	42.6–45.0	1083–1145	18
15.1–17.5	382–445	7	45.1–47.5	1146–1210	19
17.6–20.0	446–510	8	47.6–50.1	1211–1273	20
20.1–22.5	511–573	9	50.2–52.6	1274–1336	21
22.6–25.0	574–636	10	52.7–55.1	1337–1400	22
25.1–27.5	637–700	11	55.2–57.6	1403–1463	23
27.6–30.0	701–764	12	57.7–60.1	1466–1527	24
30.1–32.5	765–827	13	60.2–62.6	1529–1590	25
32.6–35.0	828–891	14	62.7–65.1	1593–1654	26
35.1–37.5	892–955	15	65.2–67.6	1656–1717	27
37.6–40.0	956–1018	16	67.7–70.1	1720–1781	28
40.1–42.5	1019–1082	17	70.2–72.6	1783–1844	29

Product Ordering Information

Flex-Lag® Full Ceramic Bondable Pulley Lagging

Flex-Lag® Full Ceramic Lagging - SBR Rubber

THICKNESS		BELT WIDTH		CERAMIC LENGTH		STRIP LENGTH		DIMPLED TILE		SMOOTH TILE	
in.	mm	in.	mm	in.	mm	in.	mm	ORDERING NUMBER	ITEM CODE	ORDERING NUMBER	ITEM CODE
1/2	12	18	450	18 1/2	460	34	860	CLN460/18.4-12	71111	CLN460/18.4-12S	79383
1/2	12	24	600	24	600	40	1000	CLN600/24-12	71112	CLN600/24-12S	79384
1/2	12	30	750	30 1/2	760	46	1160	CLN760/30.4-12	71113	CLN760/30.4-12S	79385
1/2	12	36	900	36	900	52	1300	CLN900/36-12	71115	CLN900/36-12S	79387
1/2	12	42	1050	42 1/2	1060	60	1500	CLN1060/42.4-12	71116	CLN1060/42.4-12S	79388
1/2	12	48	1200	48	1200	64	1600	CLN1200/48-12	71039	CLN1200/48-12S	79389
1/2	12	54	1350	54 1/2	1360	72	1800	CLN1360/54.4-12	71126	CLN1360/54.4-12S	79390
1/2	12	60	1500	60 3/4	1520	80	2000	CLN1520/60.8-12	71127	CLN1520/60.8-12S	79392
1/2	12	72	1800	72	1800	92	2300	CLN1800/72-12	71042	CLN1800/72-12S	79395
1/2	12	84	2100	84	2100	104	2600	CLN2100/84-12	71044	CLN2100/84-12S	79398

Lead time: 1 working day

Special Offerings

LAGGING THICKNESS	PRICE COMPARED TO NATURAL RUBBER
5/8" (15mm)	+5%
3/4" (20mm)	+7 1/2%
1" (25mm)	+15%

Flex-Lag® Full Ceramic Lagging - FRAS Rubber

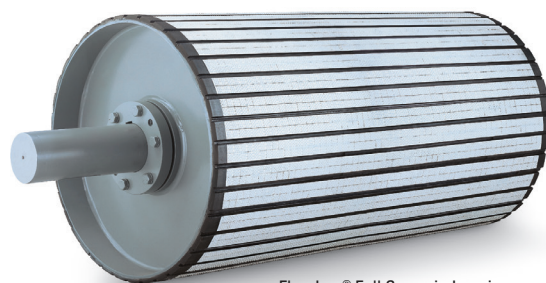
THICKNESS		BELT WIDTH		CERAMIC LENGTH		STRIP LENGTH		DIMPLED TILE		SMOOTH TILE	
in.	mm	in.	mm	in.	mm	in.	mm	ORDERING NUMBER	ITEM CODE	ORDERING NUMBER	ITEM CODE
1/2	12	18	450	18 1/2	460	34	860	CLFR460/18.4-12	71118	CLFR460/18.4-12S	79406
1/2	12	24	600	24	600	40	1000	CLFR600/24-12	71119	CLFR600/24-12S	79407
1/2	12	30	750	30 1/2	760	46	1160	CLFR760/30.4-12	71120	CLFR760/30.4-12S	79408
1/2	12	36	900	36	900	52	1300	CLFR900/36-12	71122	CLFR900/36-12S	79410
1/2	12	42	1050	42 1/2	1060	60	1500	CLFR1060/42.4-12	71123	CLFR1060/42.4-12S	79411
1/2	12	48	1200	48	1200	64	1600	CLFR1200/48-12	71005	CLFR1200/48-12S	79412
1/2	12	54	1350	54 1/2	1360	72	1800	CLFR1360/54.4-12	A1636	CLFR1360/54.4-12S	79413
1/2	12	60	1500	60 3/4	1520	80	2000	CLFR1520/60.8-12	71009	CLFR1520/60.8-12S	79415
1/2	12	72	1800	72	1800	92	2300	CLFR1800/72-12	71079	CLFR1800/72-12S	79418
1/2	12	84	2100	84	2100	104	2600	CLFR2100/84-12	71082	CLFR2100/84-12S	79421

FRAS (Fire Resistant Anti Static) MSHA Certification # - MSHA NO. IC-190

Ordering Number Key: N - SBR, FR - FRAS

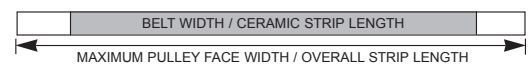
Lead time: 1 working day

Shaded items are made to order.
Lead time: 8 -10 weeks



Flex-Lag® Full Ceramic Lagging

CERAMIC STRIP CONFIGURATION



Strips Required = Pulley Diameter (in) x 3.14 ÷ 8, then round up.

Strip Selection

PULLEY DIAMETER		STRIPS REQ'D	PULLEY DIAMETER		STRIPS REQ'D
in.	mm		in.	mm	
12.6-15.0	320-381	6	42.6-45.0	1083-1145	18
15.1-17.5	382-445	7	45.1-47.5	1146-1210	19
17.6-20.0	446-510	8	47.6-50.1	1211-1273	20
20.1-22.5	511-573	9	50.2-52.6	1274-1336	21
22.6-25.0	574-636	10	52.7-55.1	1337-1400	22
25.1-27.5	637-700	11	55.2-57.6	1403-1463	23
27.6-30.0	701-764	12	57.7-60.1	1466-1527	24
30.1-32.5	765-827	13	60.2-62.6	1529-1590	25
32.6-35.0	828-891	14	62.7-65.1	1593-1654	26
35.1-37.5	892-955	15	65.2-67.6	1656-1717	27
37.6-40.0	956-1018	16	67.7-70.1	1720-1781	28
40.1-42.5	1019-1082	17	70.2-72.6	1783-1844	29

Specifications:

- Temperature Rating 5 to 185°F (-15 to 85°C)
- Rubber Compound..... SBR (Styrene-Butadiene-Rubber)
- Rubber Hardness..... 68 ± 3 Shore A
- Ceramic Compound..... Aluminum Oxide (Al₂O₃)
- Ceramic Hardness..... 83 HRA Rockwell Hardness Scale A
- Ceramic Coverage..... 80%, strips are 8" (200 mm) wide

Product Ordering Information

Flex-Lag® Adhesive/Activator/Primer

ORDERING NUMBER	DESCRIPTION	ITEM CODE	WEIGHT	VOLUME
FL-ADH-0.8	Adhesive	75017	1.6 lb. (0.7 Kg)	27.1 oz (0.8L)
FL-ACT	Activator	70186	0.1 lb. (40 g)	-
FL-PR-0.75	Primer	70189	1.6 lb. (0.7 Kg)	25.4 oz (0.75L)

Each Flex-Lag® Adhesive is mixed with one Flex-Lag® Activator. Refer to the usage chart below to calculate the number of cans required for your pulley. For sizes not included in the chart please contact Flexco Customer Service for assistance.



ADHESIVE 0.8L / ACTIVATOR 40g (1:1 ratio) (Covers 1,000 in²/645 m²)

In.		FACE WIDTH																				
		10	14	18	22	26	30	34	38	42	46	50	54	58	62	66	70	74	78	82	86	90
PULLEY DIAMETER	mm	254	356	457	559	660	762	864	965	1067	1168	1270	1372	1473	1575	1676	1778	1880	1981	2083	2184	2286
	8	203	2	2	2	2	2	2	2	2	2	2	2	2	2	2	2	2	2	3	3	3
	12	305	2	2	2	2	2	2	2	2	2	2	3	3	3	3	3	3	3	4	4	4
	16	406	2	2	2	2	2	2	2	2	3	3	3	3	4	4	4	4	4	5	5	5
	20	508	2	2	2	2	2	2	3	3	3	3	4	4	4	5	5	5	5	6	6	6
	24	610	2	2	2	2	2	3	3	3	4	4	4	5	5	5	6	6	6	7	7	7
	28	711	2	2	2	2	3	3	3	4	4	5	5	6	6	6	7	7	7	8	8	8
	32	813	2	2	2	3	3	4	4	4	5	5	6	6	7	7	8	8	8	9	9	10
	36	914	2	2	3	3	3	4	4	5	5	6	6	7	7	8	8	9	9	10	10	11
	40	1016	2	2	3	3	4	4	5	5	6	6	7	7	8	8	9	9	10	10	11	12
	44	1118	2	2	3	4	4	5	5	6	6	7	7	8	9	9	10	10	11	11	12	13
	48	1219	2	3	3	4	4	5	6	6	7	7	8	9	9	10	10	11	12	12	13	14
	52	1321	2	3	3	4	5	5	6	7	7	8	9	9	10	11	11	12	13	13	14	15
56	1422	2	3	4	4	5	6	6	7	8	9	9	10	11	11	12	13	14	14	15	16	
60	1524	2	3	4	5	5	6	7	8	8	9	10	11	11	12	13	14	14	15	16	17	

PRIMER .75L (Covers 10,000 in²/6.45 m²)

In.		FACE WIDTH																				
		10	14	18	22	26	30	34	38	42	46	50	54	58	62	66	70	74	78	82	86	90
PULLEY DIAMETER	mm	254	356	457	559	660	762	864	965	1067	1168	1270	1372	1473	1575	1676	1778	1880	1981	2083	2184	2286
	8	203	1	1	1	1	1	1	1	1	1	1	1	1	1	1	1	1	1	1	1	1
	12	305	1	1	1	1	1	1	1	1	1	1	1	1	1	1	1	1	1	1	1	1
	16	406	1	1	1	1	1	1	1	1	1	1	1	1	1	1	1	1	1	1	1	1
	20	508	1	1	1	1	1	1	1	1	1	1	1	1	1	1	1	1	1	1	1	1
	24	610	1	1	1	1	1	1	1	1	1	1	1	1	1	1	1	1	1	1	1	1
	28	711	1	1	1	1	1	1	1	1	1	1	1	1	1	1	1	1	1	1	1	1
	32	813	1	1	1	1	1	1	1	1	1	1	1	1	1	1	1	1	1	1	1	1
	36	914	1	1	1	1	1	1	1	1	1	1	1	1	1	1	1	1	1	1	1	2
	40	1016	1	1	1	1	1	1	1	1	1	1	1	1	1	1	1	1	1	2	2	2
	44	1118	1	1	1	1	1	1	1	1	1	1	1	1	1	1	1	2	2	2	2	2
	48	1219	1	1	1	1	1	1	1	1	1	1	1	1	1	1	2	2	2	2	2	2
	52	1321	1	1	1	1	1	1	1	1	1	1	1	1	2	2	2	2	2	2	2	2
56	1422	1	1	1	1	1	1	1	1	1	1	1	2	2	2	2	2	2	2	2	2	
60	1524	1	1	1	1	1	1	1	1	1	1	2	2	2	2	2	2	2	2	2	2	

Flex-Lag® Toolbox

DESCRIPTION	ORDERING NUMBER	ITEM CODE	WT. (LBS)
With Power Tools	LAGGING-TB	79080	32.0
Without Power Tools	LAGGING-TB2	79099	20.0

Both Include:

- 25-ft measuring tape
- BCP location tool
- Chalk line
- Paint brushes (3)
- Lagging stitchers (3)
- White paint marker
- HD knife and replacement blades
- Bench brush
- Deadblow hammer

LAGGING-TB Also Includes:

- Air hammer kit
- Grinder
- 24-grit flap disc
- Metal grinding disc
- Rubber buffing disc
- Oscillating tool and accessories



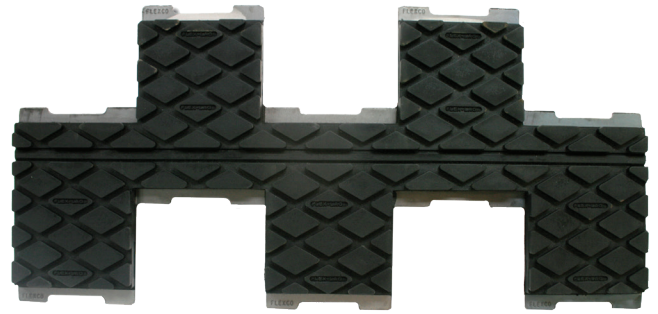
Product Ordering Information

Flex-Lag® Rubber Lagging Weld-On™ Pulley Lagging

Strips Required = Pulley Diameter (in) ÷ 2, then round down.

Strip Selection Chart

PULLEY DIAMETER		STRIPS REQ'D
in.	mm	
16	400	8
18	450	9
24	600	12
30	750	15
36	900	18
42	1050	21
48	1200	24
54	1350	27
60	1500	30
72	1800	36



Flex-Lag® Weld-On™ Rubber Lagging

Flex-Lag® Weld-On™ Diamond Lagging - SBR Rubber

BELT WIDTH		STRIP LENGTH		PULLEY DIAMETER 16–29" (400–725mm)		PULLEY DIAMETER 30" + (750mm +)	
				ORDERING NUMBER	ITEM CODE	ORDERING NUMBER	ITEM CODE
in.	mm	in.	mm				
18	450	20	500	WND18-16	72169	WND18-30	72170
24	600	26	650	WND24-16	72171	WND24-30	72172
30	750	32	800	WND30-16	72173	WND30-30	72174
36	900	38	950	WND36-16	72175	WND36-30	72176
42	1050	44	1100	WND42-16	72177	WND42-30	72178
48	1200	51	1275	WND48-16	72179	WND48-30	72180
54	1350	57	1425	WND54-16	72181	WND54-30	72182
60	1500	63	1575	WND60-16	72183	WND60-30	72184
72	1800	75	1875	WND72-16	72185	WND72-30	72186

Flex-Lag® Weld-On™ Diamond Lagging - FRAS Rubber

BELT WIDTH		STRIP LENGTH		PULLEY DIAMETER 16–29" (400–725mm)		PULLEY DIAMETER 30" + (750mm +)	
				ORDERING NUMBER	ITEM CODE	ORDERING NUMBER	ITEM CODE
in.	mm	in.	mm				
18	450	20	500	WFRD18-16	72187	WFRD18-30	72188
24	600	26	650	WFRD24-16	72189	WFRD24-30	72190
30	750	32	800	WFRD30-16	72191	WFRD30-30	72192
36	900	38	950	WFRD36-16	72193	WFRD36-30	72194
42	1050	44	1100	WFRD42-16	72195	WFRD42-30	72196
48	1200	51	1275	WFRD48-16	72197	WFRD48-30	72198
54	1350	57	1425	WFRD54-16	72199	WFRD54-30	72200
60	1500	63	1575	WFRD60-16	72201	WFRD60-30	72202
72	1800	75	1875	WFRD72-16	72203	WFRD72-30	72204

FRAS (Fire Resistant Anti Static) MSHA Certification # - MSHA NO. IC-190

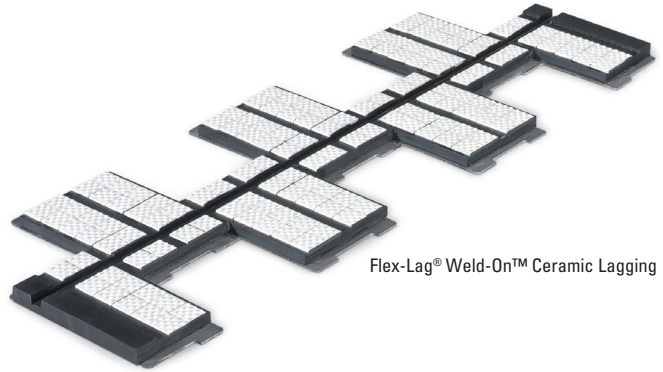
Product Ordering Information

Flex-Lag® Ceramic Lagging Weld-On™ Pulley Lagging

Strips Required = Pulley Diameter (in) ÷ 2, then round down.

Strip Selection Chart

PULLEY DIAMETER		STRIPS REQ'D
in.	mm	
16	400	8
18	450	9
24	600	12
30	750	15
36	900	18
42	1050	21
48	1200	24
54	1350	27
60	1500	30
72	1800	36



Flex-Lag® Weld-On™ Full Ceramic Lagging - SBR Rubber

BELT WIDTH		STRIP LENGTH		PULLEY DIAMETER 16-29" (400-725mm)		PULLEY DIAMETER 30" + (750mm +)	
				ORDERING NUMBER	ITEM CODE	ORDERING NUMBER	ITEM CODE
in.	mm	in.	mm				
18	450	20	500	WCLN18-16	71131	-	-
24	600	26	650	WCLN24-16	71132	WCLN24-30	71150
30	750	32	800	WCLN30-16	71133	WCLN30-30	71134
36	900	38	950	WCLN36-16	71135	WCLN36-30	71136
42	1050	44	1100	WCLN42-16	71137	WCLN42-30	71138
48	1200	51	1275	WCLN48-16	71139	WCLN48-30	71144
54	1350	57	1425	WCLN54-16	71149	WCLN54-30	71145
60	1500	63	1575	WCLN60-16	71165	WCLN60-30	71146
72	1800	75	1875	WCLN72-16	71151	WCLN72-30	71147

INDEX By Ordering Number

Ordering Number	Item Code	Page #	Ordering Number	Item Code	Page #	Ordering Number	Item Code	Page #	Ordering Number	Item Code	Page #
900924	04200	231	CART-24/600	77900	115	CBS24SC	91496	131	CBSBLD84C	91536	131
900936	04143	231	CART-24/600	77900	119	CBS24SF	79937	131	CBSBLD84F	79956	131
900948	04144	231	CART-30/750	77901	111	CBS30PC	91551	131	CBSBLD84F	79956	137
900960	04145	231	CART-30/750	77901	115	CBS30PF	79960	131	CBSBLD96C	91537	131
900972	04146	231	CART-30/750	77901	119	CBS30SC	91497	131	CBSBLD96F	79957	131
900984	04147	231	CART-36/900	77902	111	CBS30SF	79938	131	CBSBLD96F	79957	137
10FRD6.5/21	71014	237	CART-36/900	77902	115	CBS36PC	91552	131	CBSBP18C	91538	134
10FRP6.5/21	71020	237	CART-36/900	77902	119	CBS36PF	79961	131	CBSBP18F	90101	134
10ND6.5/21	71002	237	CART-42/1050	77903	111	CBS36SC	91498	131	CBSBP24C	91539	134
10NP6.5/21	71010	237	CART-42/1050	77903	115	CBS36SF	79939	131	CBSBP24F	90102	134
12FRD6.5/21	71016	237	CART-42/1050	77903	119	CBS42PC	91553	131	CBSBP30C	91540	134
12FRDC6.5/21	71159	237	CART-48/1200	77904	111	CBS42PF	79962	131	CBSBP30F	90103	134
12FRP6.5/21	71022	237	CART-48/1200	77904	115	CBS42SC	91499	131	CBSBP36C	91541	134
12ND6.5/21	71004	237	CART-48/1200	77904	119	CBS42SF	79940	131	CBSBP36F	90104	134
12NDC6.5/21	71155	237	CART-54/1350	77905	111	CBS48PC	91554	131	CBSBP42C	91542	134
12NP6.5/21	71012	237	CART-54/1350	77905	115	CBS48PF	79963	131	CBSBP42F	90105	134
15FRD6.5/21	71018	237	CART-54/1350	77905	119	CBS48SC	91500	131	CBSBP48C	91543	134
15FRP6.5/21	71015	237	CART-60/1500	77906	111	CBS48SF	79941	131	CBSBP48F	90106	134
15ND6.5/21	71006	237	CART-60/1500	77906	115	CBS54PC	91555	131	CBSBP54C	91544	134
15NP6.5/21	71017	237	CART-60/1500	77906	119	CBS54PF	79964	131	CBSBP54F	90107	134
20FRD6.5/21	71019	237	CART-72/1800	77907	111	CBS54SC	91501	131	CBSBP60C	91545	134
20FRP6.5/21	72129	237	CART-72/1800	77907	115	CBS54SF	79942	131	CBSBP60F	90108	134
20ND6.5/21	71008	237	CART-72/1800	77907	119	CBS60PC	91556	131	CBSBP72C	91546	134
20NP6.5/21	71021	237	CART2-120/3000	77912	111	CBS60PF	79965	131	CBSBP72F	90109	134
25ND6.5/21	71152	237	CART2-120/3000	77912	115	CBS60SC	91502	131	CBSBP84C	91547	134
25NP6.5/21	71163	237	CART2-120/3000	77912	119	CBS60SF	79943	131	CBSBP84F	90110	134
7.5NLD3.3/11	71077	237	CART2-60/1500	77908	111	CBS72PC	91557	131	CBSBP96C	91548	134
900CBK	04149	231	CART2-60/1500	77908	115	CBS72PF	79966	131	CBSBP96F	90111	134
900CKK	106186	231	CART2-60/1500	77908	119	CBS72SC	91503	131	CBSP18	91432	134
ABU	76788	122	CART2-72/1800	77909	111	CBS72SF	79944	131	CBSP24	91433	134
ABU	76788	122	CART2-72/1800	77909	115	CBS84PC	91558	131	CBSP30	91434	134
AWTA	75907	47	CART2-72/1800	77909	119	CBS84PF	79967	131	CBSP36	91435	134
AWTA	75907	55	CART2-84/2100	77910	111	CBS84SC	91504	131	CBSP42	91436	134
AWTA	75907	60	CART2-84/2100	77910	115	CBS84SF	79945	131	CBSP48	91437	134
AWTB	75905	47	CART2-84/2100	77910	119	CBS96PC	91559	131	CBSP54	91438	134
AWTB	75905	55	CART2-96/2400	77911	111	CBS96PF	79968	131	CBSP60	91439	134
AWTB	75905	60	CART2-96/2400	77911	115	CBS96SC	91505	131	CBSP72	91440	134
AWTHK	75909	47	CART2-96/2400	77911	119	CBS96SF	79946	131	CBSP84	91441	134
AWTHK	75909	55	CBC18	76668	130	CBSBLD18C	91527	131	CBSP96	91442	134
AWTHK	75909	60	CBC24	76669	130	CBSBLD18F	79947	131	CBV-72	74389	165
AWTMB	75906	47	CBC30	76670	130	CBSBLD18F	79947	137	CBV-84	74390	165
AWTMB	75906	55	CBC36	76671	130	CBSBLD24C	91528	131	CBV-96	74391	165
AWTMB	75906	60	CBC3R	90641	130	CBSBLD24F	79948	131	CBV-L	73134	165
AWTNB	76069	47	CBC42	76672	130	CBSBLD24F	79948	137	CBV-M	73133	165
AWTNB	76069	55	CBC48	76673	130	CBSBLD30C	91529	131	CBV-S	73132	165
AWTNB	76069	58	CBC54	76674	130	CBSBLD30F	79949	131	CBV-XS	73131	165
AWTNB	76069	60	CBC60	76675	130	CBSBLD30F	79949	137	CCKHDL	79225	79
AWTPBA	90000	47	CBC72	90762	130	CBSBLD36C	91530	131	CCKHDL	79225	111
AWTPBA	90000	55	CBC84	90763	130	CBSBLD36F	79950	131	CCKHDL	79225	115
AWTPBA	90000	60	CBCS18	90537	130	CBSBLD36F	79950	137	CCKHDL	79225	149
AWTRK	79319	44	CBCS24	90538	130	CBSBLD42C	91531	131	CCKHDR	79229	79
AWTRK	79319	51	CBCS30	90539	130	CBSBLD42F	79951	131	CCKHDR	79229	111
AWTRK	79319	57	CBCS36	90540	130	CBSBLD42F	79951	137	CCKHDR	79229	115
AWTRK	79319	102	CBCS42	90541	130	CBSBLD48C	91532	131	CCKHDR	79229	149
AWTRK	79319	124	CBCS48	90542	130	CBSBLD48F	79952	131	CCKHDS	79233	79
AWTRK	79319	132	CBCS54	90543	130	CBSBLD48F	79952	137	CCKHDS	79233	111
BSB-1	112918	169	CBCS60	90544	130	CBSBLD54C	91533	131	CCKHDS	79233	115
BSB-2	112919	169	CBCS72	90554	130	CBSBLD54F	79953	131	CCKHDS	79233	149
BSB-3	112920	169	CBCS84	90555	130	CBSBLD54F	79953	137	CCKL	79224	79
BSB-4	112921	169	CBS18PC	91549	131	CBSBLD60C	91534	131	CCKL	79224	91
BSB-5	112922	169	CBS18PF	79958	131	CBSBLD60F	79954	131	CCKL	79224	94
BSB-6	112923	169	CBS18SC	91495	131	CBSBLD60F	79954	137	CCKL	79224	149
BSB-BR	112960	169	CBS18SF	79936	131	CBSBLD72C	91535	131	CCKR	79228	79
BSB-BRK	112956	169	CBS24PC	91550	131	CBSBLD72F	79955	131	CCKR	79228	91
CART-24/600	77900	111	CBS24PF	79959	131	CBSBLD72F	79955	137	CCKR	79228	94

INDEX By Ordering Number

Ordering Number	Item Code	Page #	Ordering Number	Item Code	Page #	Ordering Number	Item Code	Page #	Ordering Number	Item Code	Page #
CCKR	79228	149	CLFR460/18.4-12S	79406	239	CLN760/30.4-12	71113	239	CRB-LS16W	77098	27
CCKTS	79232	79	CLFR600/24-12	71119	239	CLN760/30.4-12S	79385	239	CRB-LS16W	77098	31
CCKTS	79232	91	CLFR600/24-12S	79407	239	CLN900/36-12	71115	239	CRB-LS22	77090	27
CCKTS	79232	94	CLFR760/30.4-12	71120	239	CLN900/36-12S	79387	239	CRB-LS22	77090	31
CCKTS	79232	149	CLFR760/30.4-12S	79408	239	CLSFG-212	77144	30	CRB-LS22HT	77553	27
CCMK	78919	79	CLFR900/36-12	71122	239	CLSFG-218	77145	30	CRB-LS22HT	77553	31
CCMK	78919	91	CLFR900/36-12S	79410	239	CLSFG-224	77146	30	CRB-LS22W	77099	27
CCMK	78919	94	CLMFR1050/42-15	61312	238	CLSFG-230	77147	30	CRB-LS22W	77099	31
CCMK	78919	149	CLMFR1050/42-15S	62067	238	CLSFG-236	77148	30	CRB-LS28	77091	27
CCMKHD	78920	79	CLMFR1200/48-15	61313	238	CLSFG-242	77149	30	CRB-LS28	77091	31
CCMKHD	78920	111	CLMFR1200/48-15S	62068	238	CLSFG-248	77150	30	CRB-LS28HT	77554	27
CCMKHD	78920	115	CLMFR1350/54-15	61314	238	CLSFG-254	77151	30	CRB-LS28HT	77554	31
CCMKHD	78920	149	CLMFR1350/54-15S	62069	238	CLSFG-260	77152	30	CRB-LS28W	77100	27
CDWB24	75884	123	CLMFR1500/60-15	61315	238	CLSFG-818	77153	30	CRB-LS28W	77100	31
CDWB30	75885	123	CLMFR1500/60-15S	62070	238	CLSFG-824	77154	30	CRB-LS34	77092	27
CDWB36	75886	123	CLMFR1800/72-15	61316	238	CLSFG-830	77155	30	CRB-LS34	77092	31
CDWB42	75887	123	CLMFR1800/72-15S	62071	238	CLSFG-836	77156	30	CRB-LS34HT	77555	27
CDWB48	75888	123	CLMFR2100/84-15	61317	238	CLSFG-842	77157	30	CRB-LS34HT	77555	31
CDWB54	75889	123	CLMFR2100/84-15S	62072	238	CLSFG-848	77158	30	CRB-LS34W	77101	27
CDWB60	75890	123	CLMFR450/18-15	61308	238	CLSFG-854	77159	30	CRB-LS34W	77101	31
CDWB72	75891	123	CLMFR450/18-15S	62063	238	CLSFG-860	77160	30	CRB-LS40	77093	27
CDWB84	76942	123	CLMFR6.5/21-15	61319	237	CPB	76692	130	CRB-LS40	77093	31
CDWB96	79062	123	CLMFR600/24-15	61309	238	CRB-HT10	76593	16	CRB-LS40HT	77556	27
CEBC1	30018	232	CLMFR600/24-15S	62064	238	CRB-HT10	76593	22	CRB-LS40HT	77556	31
CEBC1 – REFURBISH	30018RPR	232	CLMFR750/30-15	61310	238	CRB-HT10	76593	37	CRB-LS40W	77102	27
CEBC1-220	30021	232	CLMFR750/30-15S	62065	238	CRB-HT16	76594	16	CRB-LS40W	77102	31
CEBC1-CPLGM	108045	233	CLMFR900/36-15	61311	238	CRB-HT16	76594	22	CRB-LS46	77094	27
CEBC1-DUK	108384	233	CLMFR900/36-15S	62066	238	CRB-HT16	76594	37	CRB-LS46	77094	31
CEBC1/CEBC2-BATMET	111390	233	CLMN1050/42-15	61298	238	CRB-HT22	76595	16	CRB-LS46HT	77557	27
CEBC1/CEBC2-DRM	108043	233	CLMN1050/42-15S	62056	238	CRB-HT22	76595	22	CRB-LS46HT	77557	31
CEBC2	30019	232	CLMN1200/48-15	61299	238	CRB-HT22	76595	37	CRB-LS46W	77103	27
CEBC2 – REFURBISH	30019RPR	232	CLMN1200/48-15S	62057	238	CRB-HT28	76596	16	CRB-LS46W	77103	31
CEBC2-220	30022	232	CLMN1350/54-15	61300	238	CRB-HT28	76596	22	CRB-LS52	77095	27
CEBC2-CPLGM	108046	233	CLMN1350/54-15S	62058	238	CRB-HT28	76596	37	CRB-LS52	77095	31
CEBC2-DUK	108385	233	CLMN1500/60-15	61301	238	CRB-HT34	76597	16	CRB-LS52HT	77558	27
CFG-212	78838	21	CLMN1500/60-15S	62059	238	CRB-HT34	76597	22	CRB-LS52HT	77558	31
CFG-218	78839	21	CLMN1800/72-15	61302	238	CRB-HT34	76597	37	CRB-LS52W	77104	27
CFG-224	78840	21	CLMN1800/72-15S	62060	238	CRB-HT40	76598	16	CRB-LS52W	77104	31
CFG-230	78841	21	CLMN2100/84-15	61303	238	CRB-HT40	76598	22	CRB-LS58	77096	27
CFG-236	78842	21	CLMN2100/84-15S	62061	238	CRB-HT40	76598	37	CRB-LS58	77096	31
CFG-242	78843	21	CLMN450/18-15	61294	238	CRB-HT46	76599	16	CRB-LS58HT	77559	27
CFG-248	78844	21	CLMN450/18-15S	62052	238	CRB-HT46	76599	22	CRB-LS58HT	77559	31
CFG-254	78845	21	CLMN6.5/21-15	62216	237	CRB-HT46	76599	37	CRB-LS58W	77105	27
CFG-260	78846	21	CLMN600/24-15	61295	238	CRB-HT52	76600	16	CRB-LS58W	77105	31
CFG-818	78924	21	CLMN600/24-15S	62053	238	CRB-HT52	76600	22	CRB-UHT10	91253	16
CFG-824	78925	21	CLMN750/30-15	61296	238	CRB-HT52	76600	37	CRB-UHT10	91253	37
CFG-830	78926	21	CLMN750/30-15S	62054	238	CRB-HT58	76601	16	CRB-UHT16	91254	16
CFG-836	78927	21	CLMN900/36-15	61297	238	CRB-HT58	76601	22	CRB-UHT16	91254	37
CFG-842	78928	21	CLMN900/36-15S	62055	238	CRB-HT58	76601	37	CRB-UHT22	91255	16
CFG-848	78929	21	CLN1060/42.4-12	71116	239	CRB-HT64	76602	16	CRB-UHT22	91255	37
CFG-854	78930	21	CLN1060/42.4-12S	79388	239	CRB-HT64	76602	22	CRB-UHT28	91256	16
CFG-860	78931	21	CLN1200/48-12	71039	239	CRB-HT64	76602	37	CRB-UHT28	91256	37
CLFR1060/42.4-12	71123	239	CLN1200/48-12S	79389	239	CRB-HT70	76603	16	CRB-UHT34	91257	16
CLFR1060/42.4-12S	79411	239	CLN1360/54.4-12	71126	239	CRB-HT70	76603	22	CRB-UHT34	91257	37
CLFR1200/48-12	71005	239	CLN1360/54.4-12S	79390	239	CRB-HT70	76603	37	CRB-UHT40	91258	16
CLFR1200/48-12S	79412	239	CLN1520/60.8-12	71127	239	CRB-LS10	77088	27	CRB-UHT40	91258	37
CLFR1360/54.4-12	A1636	239	CLN1520/60.8-12S	79392	239	CRB-LS10	77088	31	CRB-UHT46	91259	16
CLFR1360/54.4-12S	79413	239	CLN1800/72-12	71042	239	CRB-LS10HT	77551	27	CRB-UHT46	91259	37
CLFR1520/60.8-12	71009	239	CLN1800/72-12S	79395	239	CRB-LS10HT	77551	31	CRB-UHT52	91260	16
CLFR1520/60.8-12S	79415	239	CLN2100/84-12	71044	239	CRB-LS10W	77097	27	CRB-UHT52	91260	37
CLFR1800/72-12	71079	239	CLN2100/84-12S	79398	239	CRB-LS10W	77097	31	CRB-UHT58	91261	16
CLFR1800/72-12S	79418	239	CLN460/18.4-12	71111	239	CRB-LS16	77089	27	CRB-UHT58	91261	37
CLFR2100/84-12	71082	239	CLN460/18.4-12S	79383	239	CRB-LS16	77089	31	CRB-UHT64	91262	16
CLFR2100/84-12S	79421	239	CLN600/24-12	71112	239	CRB-LS16HT	77552	27	CRB-UHT64	91262	37
CLFR460/18.4-12	71118	239	CLN600/24-12S	79384	239	CRB-LS16HT	77552	31	CRB-UHT70	91263	16

INDEX By Ordering Number

Ordering Number	Item Code	Page #	Ordering Number	Item Code	Page #	Ordering Number	Item Code	Page #	Ordering Number	Item Code	Page #
CRB-UHT70	91263	37	CRB64	75775	22	DRXD-54-535	76921	196	DRXL-36-420	76818	190
CRB-W10	78471	16	CRB64	75775	37	DRXD-60-520	76915	196	DRXL-36-435	76834	190
CRB-W10	78471	22	CRB70	75773	16	DRXD-60-535	76922	196	DRXL-36-520	76826	190
CRB-W10	78471	37	CRB70	75773	22	DRXD-72-520	76916	196	DRXL-36-535	76842	190
CRB-W16	78472	16	CRB70	75773	37	DRXD-72-535	76923	196	DRXL-42-420	76819	190
CRB-W16	78472	22	CRB70	75773	152	DRXD-84-520	76917	196	DRXL-42-435	76835	190
CRB-W16	78472	37	CRB76	76940	16	DRXD-84-535	76924	196	DRXL-42-520	76827	190
CRB-W22	78473	16	CRB76	76940	22	DRXD-96-520	76918	196	DRXL-42-535	76843	190
CRB-W22	78473	22	CRB76	76940	37	DRXD-96-535	76925	196	DRXL-48-420	76820	190
CRB-W22	78473	37	CRB82	76941	16	DRDX-36-520	107569	198	DRXL-48-435	76836	190
CRB-W28	78474	16	CRB82	76941	22	DRDX-36-535	107570	198	DRXL-48-520	76828	190
CRB-W28	78474	22	CRB82	76941	37	DRDX-42-520	107572	198	DRXL-48-535	76844	190
CRB-W28	78474	37	CRDF18	90631	130	DRDX-42-535	107573	198	DRXL-54-420	76821	190
CRB-W34	78475	16	CRDF24	90632	130	DRDX-48-520	107575	198	DRXL-54-435	76837	190
CRB-W34	78475	22	CRDF30	90633	130	DRDX-48-535	107576	198	DRXL-54-520	76829	190
CRB-W34	78475	37	CRDF36	90634	130	DRDX-54-520	107578	198	DRXL-54-535	76845	190
CRB-W40	78476	16	CRDF42	90635	130	DRDX-54-535	107579	198	DRXL-60-420	76822	190
CRB-W40	78476	22	CRDF48	90636	130	DRDX-60-520	107581	198	DRXL-60-435	76838	190
CRB-W40	78476	37	CRDF54	90637	130	DRDX-60-535	107582	198	DRXL-60-520	76830	190
CRB-W46	78477	16	CRDF60	90638	130	DRDX-72-520	107584	198	DRXL-60-535	76846	190
CRB-W46	78477	22	CRDF72	90639	130	DRDX-72-535	107585	198	DRXL-72-420	76823	190
CRB-W46	78477	37	CRDF84	90640	130	DRDX-84-520	107587	198	DRXL-72-435	76839	190
CRB-W52	78478	16	CST1HD-B	77874	119	DRDX-84-535	107588	198	DRXL-72-520	76831	190
CRB-W52	78478	22	CST1HD-G	77875	119	DRDX-96-520	107590	198	DRXL-72-535	76847	190
CRB-W52	78478	37	CST1HD-S	77873	119	DRDX-96-535	107591	198	DRXM-24-420	76848	192
CRB-W58	78479	16	CST1HD-W	77872	119	DRXH-24-420	76880	194	DRXM-24-435	76864	192
CRB-W58	78479	22	CSTBK	77037	119	DRXH-24-435	76896	194	DRXM-24-520	76856	192
CRB-W58	78479	37	CSTHDMK	77871	119	DRXH-24-520	76888	194	DRXM-24-535	76872	192
CRB10	75628	16	CSTHDPMP	77869	119	DRXH-24-535	76904	194	DRXM-30-420	76849	192
CRB10	75628	22	CTS-B	77744	119	DRXH-30-420	76881	194	DRXM-30-435	76865	192
CRB10	75628	37	CTS-B-S/S	78387	33	DRXH-30-435	76897	194	DRXM-30-520	76857	192
CRB10	75628	152	CTS-G	77745	119	DRXH-30-520	76889	194	DRXM-30-535	76873	192
CRB16	75629	16	CTS-S	77743	83	DRXH-30-535	76905	194	DRXM-36-420	76850	192
CRB16	75629	22	CTS-S	77743	97	DRXH-36-420	76882	194	DRXM-36-435	76866	192
CRB16	75629	37	CTS-S	77743	119	DRXH-36-435	76898	194	DRXM-36-520	76858	192
CRB16	75629	152	CTS-W	77742	119	DRXH-36-520	76890	194	DRXM-36-535	76874	192
CRB22	75630	16	DC-24	91736	220	DRXH-36-535	76906	194	DRXM-42-420	76851	192
CRB22	75630	22	DC-30	91737	220	DRXH-42-420	76883	194	DRXM-42-435	76867	192
CRB22	75630	37	DC-36	91738	220	DRXH-42-435	76899	194	DRXM-42-520	76859	192
CRB22	75630	152	DC-42	91739	220	DRXH-42-520	76891	194	DRXM-42-535	76875	192
CRB28	75631	16	DC-48	91740	220	DRXH-42-535	76907	194	DRXM-48-420	76852	192
CRB28	75631	22	DC-54	91741	220	DRXH-48-420	76884	194	DRXM-48-435	76868	192
CRB28	75631	37	DC-60	91742	220	DRXH-48-435	76900	194	DRXM-48-520	76860	192
CRB28	75631	152	DC-66	91743	220	DRXH-48-520	76892	194	DRXM-48-535	76876	192
CRB34	75632	16	DC-72	91744	220	DRXH-48-535	76908	194	DRXM-54-420	76853	192
CRB34	75632	22	DC-84	91745	220	DRXH-54-420	76885	194	DRXM-54-435	76869	192
CRB34	75632	37	DC-96	91746	220	DRXH-54-435	76901	194	DRXM-54-520	76861	192
CRB34	75632	152	DCRR-24	92159	223	DRXH-54-520	76893	194	DRXM-54-535	76877	192
CRB40	75633	16	DCRR-30	92160	223	DRXH-54-535	76909	194	DRXM-60-420	76854	192
CRB40	75633	22	DCRR-36	92161	223	DRXH-60-420	76886	194	DRXM-60-435	76870	192
CRB40	75633	37	DCRR-42	92162	223	DRXH-60-435	76902	194	DRXM-60-520	76862	192
CRB40	75633	152	DCRR-48	92163	223	DRXH-60-520	76894	194	DRXM-60-535	76878	192
CRB46	75634	16	DCRR-54	92164	223	DRXH-60-535	76910	194	DRXM-72-420	76855	192
CRB46	75634	22	DCRR-60	92165	223	DRXH-72-420	76887	194	DRXM-72-435	76871	192
CRB46	75634	37	DCRR-66	92166	223	DRXH-72-435	76903	194	DRXM-72-520	76863	192
CRB46	75634	152	DCRR-72	92167	223	DRXH-72-520	76895	194	DRXM-72-535	76879	192
CRB52	75635	16	DCRR-84	92168	223	DRXH-72-535	76911	194	DWP-72	75883	126
CRB52	75635	22	DCRR-96	92169	223	DRXL-24-420	76816	190	DWP-84	76815	126
CRB52	75635	37	DRXD-36-520	115010	196	DRXL-24-435	76832	190	DWP-96	79060	126
CRB52	75635	152	DRXD-36-535	115011	196	DRXL-24-520	76824	190	EBC/CEBC-BK	30024	233
CRB58	75636	16	DRXD-42-520	76912	196	DRXL-24-535	76840	190	EBC/CEBC-EB	30007	233
CRB58	75636	22	DRXD-42-535	76919	196	DRXL-30-420	76817	190	EBC/CEBC-H	30008	233
CRB58	75636	37	DRXD-48-520	76913	196	DRXL-30-435	76833	190	EBC1	30001	232
CRB58	75636	152	DRXD-48-535	76920	196	DRXL-30-520	76825	190	EBC1 - REFURBISH	30001RPR	232
CRB64	75775	16	DRXD-54-520	76914	196	DRXL-30-535	76841	190	EBC1-220	30011	232

INDEX By Ordering Number

Ordering Number	Item Code	Page #	Ordering Number	Item Code	Page #	Ordering Number	Item Code	Page #	Ordering Number	Item Code	Page #
EBC1-220-DR	30013	233	ES72-4-TN	91679	219	EZAI-54I	79096	183	EZIB24-4L	78887	177
EBC1-CPLGM	108047	233	ES72-8-SF	91708	219	EZAI-54I	79096	186	EZIB24-4M	78903	180
EBC1-DR	30005	233	ES72-8-SN	91697	219	EZAI-60	79006	171	EZIB24-5L	78895	177
EBC1/CEBC1-B	30003	233	ES72-8-TF	91722	219	EZAI-60I	79097	174	EZIB24-5M	78911	180
EBC1/CEBC1-RK	30033	233	ES72-8-TN	91715	219	EZAI-60I	79097	183	EZIB30-4L	78888	177
EBC2	30002	232	ES84-4-SF	91673	219	EZAI-60I	79097	186	EZIB30-4M	78904	180
EBC2 - REFURBISH	30002RPR	232	ES84-4-SN	91662	219	EZAI-72	79007	171	EZIB30-5L	78896	177
EBC2-220	30012	232	ES84-4-TF	91687	219	EZAI-72I	79098	174	EZIB30-5M	78912	180
EBC2-220-DR	30014	233	ES84-4-TN	91680	219	EZAI-72I	79098	183	EZIB36-4L	78889	177
EBC2-CPLGM	108048	233	ES84-8-SF	91709	219	EZAI-72I	79098	186	EZIB36-4M	78905	180
EBC2-DR	30006	233	ES84-8-SN	91698	219	EZBMK-24	78944	179	EZIB36-5L	78897	177
EBC2/CEBC2-B	30004	233	ES84-8-TF	91723	219	EZBMK-24	78944	182	EZIB36-5M	78913	180
EBC2/CEBC2-RK	30034	233	ES84-8-TN	91716	219	EZBMK-30	78945	179	EZIB42-4L	78890	177
ELT	74774	147	ES96-4-SF	91674	219	EZBMK-30	78945	182	EZIB42-4M	78906	180
ES24-4-SF	91664	219	ES96-4-SN	91663	219	EZBMK-36	78946	179	EZIB42-5L	78898	177
ES24-4-SN	91653	219	ES96-4-TF	91688	219	EZBMK-36	78946	182	EZIB42-5M	78914	180
ES24-8-SF	91700	219	ES96-4-TN	91681	219	EZBMK-42	78947	179	EZIB48-4L	78891	177
ES24-8-SN	91689	219	ES96-8-SF	91710	219	EZBMK-42	78947	182	EZIB48-4M	78907	180
ES30-4-SF	91665	219	ES96-8-SN	91699	219	EZBMK-48	78948	179	EZIB48-5L	78899	177
ES30-4-SN	91654	219	ES96-8-TF	91724	219	EZBMK-48	78948	182	EZIB48-5M	78915	180
ES30-8-SF	91701	219	ES96-8-TN	91717	219	EZBMK-54	78949	179	EZIB54-4L	78892	177
ES30-8-SN	91690	219	ESBK-ATEX	90264	19	EZBMK-54	78949	182	EZIB54-4M	78908	180
ES36-4-SF	91666	219	ESBK-B	76411	19	EZBMK-60	78950	179	EZIB54-5L	78900	177
ES36-4-SN	91655	219	ESBK-PS	76410	19	EZBMK-60	78950	182	EZIB54-5M	78916	180
ES36-8-SF	91702	219	ESBK-PS	76410	122	EZBMK-72	78951	179	EZIB60-4L	78893	177
ES36-8-SN	91691	219	ESPBK	76408	19	EZBMK-72	78951	182	EZIB60-4M	78909	180
ES42-4-SF	91667	219	ESPRK	76409	19	EZBS-L4	78953	176	EZIB60-5L	78901	177
ES42-4-SN	91656	219	ESPSBK	76407	19	EZBS-L4	78953	179	EZIB60-5M	78917	180
ES42-8-SF	91703	219	ESS-B	76413	19	EZBS-L5	78954	176	EZIB72-4L	78894	177
ES42-8-SN	91692	219	ESS-S	76412	19	EZBS-L5	78954	179	EZIB72-4M	78910	180
ES48-4-SF	91668	219	ESS-S	76412	122	EZCRMK24-48	90434	176	EZIB72-5L	78902	177
ES48-4-SN	91657	219	EST-A-B	90816	19	EZCRMK54-60	90261	176	EZIB72-5M	78918	180
ES48-4-TF	91682	219	EST-A-P	90814	19	EZCRMK72	90262	176	EZIRMK	79318	176
ES48-4-TN	91675	219	EST-A-S	90815	19	EZCSK-24	78978	173	EZP-LS212	77127	25
ES48-8-SF	91704	219	EST-B	76405	19	EZCSK-24	78978	176	EZP-LS212HT	77746	26
ES48-8-SN	91693	219	EST-G-S/S	78810	24	EZCSK-24	78978	179	EZP-LS218	77128	25
ES48-8-TF	91718	219	EST-P	76403	19	EZCSK-24	78978	182	EZP-LS218HT	77747	26
ES48-8-TN	91711	219	EST-P-S/S	78808	24	EZCSK-30	78979	173	EZP-LS224	77129	25
ES54-4-SF	91669	219	EST-S	76404	19	EZCSK-30	78979	176	EZP-LS224HT	77748	26
ES54-4-SN	91658	219	EST-W-S/S	78809	24	EZCSK-30	78979	179	EZP-LS230	77130	25
ES54-4-TF	91683	219	ESTAK-EST	76406	19	EZCSK-30	78979	182	EZP-LS230HT	77749	26
ES54-4-TN	91676	219	ESTAK-EST	76406	122	EZCSK-36	78980	173	EZP-LS236	77131	25
ES54-8-SF	91705	219	ESTAK-EST-S/S	78849	24	EZCSK-36	78980	176	EZP-LS236HT	77750	26
ES54-8-SN	91694	219	EZAI-24	79000	171	EZCSK-36	78980	179	EZP-LS242	77132	25
ES54-8-TF	91719	219	EZAI-24I	79091	174	EZCSK-36	78980	182	EZP-LS242HT	77751	26
ES54-8-TN	91712	219	EZAI-24I	79091	183	EZCSK-42	78981	173	EZP-LS248	77133	25
ES60-4-SF	91670	219	EZAI-24I	79091	186	EZCSK-42	78981	176	EZP-LS248HT	77752	26
ES60-4-SN	91659	219	EZAI-30	79001	171	EZCSK-42	78981	179	EZP-LS254	77134	25
ES60-4-TF	91684	219	EZAI-30I	79092	174	EZCSK-42	78981	182	EZP-LS254HT	77753	26
ES60-4-TN	91677	219	EZAI-30I	79092	183	EZCSK-48	78982	173	EZP-LS260	77135	25
ES60-8-SF	91706	219	EZAI-30I	79092	186	EZCSK-48	78982	176	EZP-LS260HT	77754	26
ES60-8-SN	91695	219	EZAI-36	79002	171	EZCSK-48	78982	179	EZP-LS818	77136	25
ES60-8-TF	91720	219	EZAI-36I	79093	174	EZCSK-48	78982	182	EZP-LS824	77137	25
ES60-8-TN	91713	219	EZAI-36I	79093	183	EZCSK-54	78983	173	EZP-LS830	77138	25
ES66-4-SF	91671	219	EZAI-36I	79093	186	EZCSK-54	78983	176	EZP-LS836	77139	25
ES66-4-SN	91660	219	EZAI-42	79003	171	EZCSK-54	78983	179	EZP-LS842	77140	25
ES66-4-TF	91685	219	EZAI-42I	79094	174	EZCSK-54	78983	182	EZP-LS848	77141	25
ES66-4-TN	91678	219	EZAI-42I	79094	183	EZCSK-60	78984	173	EZP-LS854	77142	25
ES66-8-SF	91707	219	EZAI-42I	79094	186	EZCSK-60	78984	176	EZP-LS860	77143	25
ES66-8-SN	91696	219	EZAI-48	79004	171	EZCSK-60	78984	179	EZP1-212	75610	11
ES66-8-TF	91721	219	EZAI-48I	79095	174	EZCSK-60	78984	182	EZP1-212W	78934	15
ES66-8-TN	91714	219	EZAI-48I	79095	183	EZCSK-72	78985	173	EZP1-218	75611	11
ES72-4-SF	91672	219	EZAI-48I	79095	186	EZCSK-72	78985	176	EZP1-218W	78935	15
ES72-4-SN	91661	219	EZAI-54	79005	171	EZCSK-72	78985	179	EZP1-224	75612	11
ES72-4-TF	91686	219	EZAI-54I	79096	174	EZCSK-72	78985	182	EZP1-224W	78936	15

INDEX By Ordering Number

Ordering Number	Item Code	Page #	Ordering Number	Item Code	Page #	Ordering Number	Item Code	Page #	Ordering Number	Item Code	Page #
EZP1-230	75613	11	EZP1P24	75621	19	EZS2MBK	75666	79	EZWPK-36	78972	173
EZP1-230W	78937	15	EZP1P24	75621	20	EZS2MBK	75666	91	EZWPK-36	78972	176
EZP1-236	75614	11	EZP1P24-S/S	78814	24	EZS2MBK	75666	94	EZWPK-36	78972	179
EZP1-236W	78938	15	EZP1P30	75622	19	EZS2MBK	75666	111	EZWPK-36	78972	182
EZP1-242	75615	11	EZP1P30	75622	20	EZS2MBK	75666	115	EZWPK-42	78973	173
EZP1-242W	78939	15	EZP1P30-S/S	78815	24	EZS2MBK	75666	130	EZWPK-42	78973	176
EZP1-248	75616	11	EZP1P36	75623	19	EZS2MBK	75666	149	EZWPK-42	78973	179
EZP1-248W	78940	15	EZP1P36	75623	20	EZS2P18	75652	79	EZWPK-42	78973	182
EZP1-254	75617	11	EZP1P36-S/S	78816	24	EZS2P18	75652	149	EZWPK-48	78974	173
EZP1-254W	78941	15	EZP1P42	75624	19	EZS2P24	75653	79	EZWPK-48	78974	176
EZP1-260	75618	11	EZP1P42	75624	20	EZS2P24	75653	149	EZWPK-48	78974	179
EZP1-260W	78942	15	EZP1P42-S/S	78817	24	EZS2P30	75654	79	EZWPK-48	78974	182
EZP1-272	75771	11	EZP1P48	75625	19	EZS2P30	75654	149	EZWPK-54	78975	173
EZP1-272W	78943	15	EZP1P48	75625	20	EZS2P36	75655	79	EZWPK-54	78975	176
EZP1-818	75779	11	EZP1P48-S/S	78818	24	EZS2P36	75655	149	EZWPK-54	78975	179
EZP1-824	75780	11	EZP1P54	75626	19	EZS2P42	75656	79	EZWPK-54	78975	182
EZP1-830	75781	11	EZP1P54	75626	20	EZS2P42	75656	149	EZWPK-60	78976	173
EZP1-836	75782	11	EZP1P54-S/S	78819	24	EZS2P48	75657	79	EZWPK-60	78976	176
EZP1-842	75783	11	EZP1P60	75627	19	EZS2P48	75657	149	EZWPK-60	78976	179
EZP1-848	75784	11	EZP1P60	75627	20	EZS2P54	75658	79	EZWPK-60	78976	182
EZP1-854	75785	11	EZP1P60-S/S	78820	24	EZS2P54	75658	149	EZWPK-72	78977	173
EZP1-860	75786	11	EZP1P72	75772	19	EZS2P60	75659	79	EZWPK-72	78977	176
EZP1-872	75774	11	EZP1P72	75772	20	EZS2P60	75659	149	EZWPK-72	78977	179
EZP1-UHT1424	91245	14	EZP1P72-S/S	78821	24	EZS2P72	75660	79	EZWPK-72	78977	182
EZP1-UHT1430	91246	14	EZP1PL	75641	19	EZS2P72	75660	149	FFCK	75661	79
EZP1-UHT1436	91247	14	EZP1PL	75641	20	EZSB24-4C	78855	171	FL-ACT	70186	240
EZP1-UHT1442	91248	14	EZP1PL	75641	148	EZSB24-4I	78871	174	FL-ADH-0.8	75017	240
EZP1-UHT1448	91249	14	EZP1PL-S/S	78848	24	EZSB24-5C	78863	171	FL-CP-I	71141	227
EZP1-UHT1454	91250	14	EZP1T-212	78488	12	EZSB24-5I	78879	174	FL-CP-I	71141	227
EZP1-UHT1460	91251	14	EZP1T-218	78489	12	EZSB30-4C	78856	171	FL-CP-ISS	71164	227
EZP1-UHT1472	91252	14	EZP1T-224	78490	12	EZSB30-4I	78872	174	FL-L-SP	76982	229
EZP1-UHT212	91226	14	EZP1T-230	78491	12	EZSB30-5C	78864	171	FL-M-SP	76981	229
EZP1-UHT218	91227	14	EZP1T-236	78492	12	EZSB30-5I	78880	174	FL-PC-I	71057	227
EZP1-UHT224	91228	14	EZP1T-242	78493	12	EZSB36-4C	78857	171	FL-PC-ISS	71168	227
EZP1-UHT230	91229	14	EZP1T-248	78494	12	EZSB36-4I	78873	174	FL-PKIT-ML	77250	230
EZP1-UHT236	91230	14	EZP1T-254	78495	12	EZSB36-5C	78865	171	FL-PKIT-XL	77251	230
EZP1-UHT242	91231	14	EZP1T-260	78496	12	EZSB36-5I	78881	174	FL-PR-0.75	70189	240
EZP1-UHT248	91232	14	EZP1T-272	78497	12	EZSB42-4C	78858	171	FL-RBI	71060	227
EZP1-UHT254	91233	14	EZP1T-818	78498	12	EZSB42-4I	78874	174	FL-RBI	71060	227
EZP1-UHT260	91234	14	EZP1T-824	78499	12	EZSB42-5C	78866	171	FL-RPI	71058	227
EZP1-UHT272	91235	14	EZP1T-830	78500	12	EZSB42-5I	78882	174	FL-RPI	71058	227
EZP1-UHT818	91236	14	EZP1T-836	78501	12	EZSB48-4C	78859	171	FL-XL-SP	77386	229
EZP1-UHT824	91237	14	EZP1T-842	78502	12	EZSB48-4I	78875	174	FLCK	77729	229
EZP1-UHT830	91238	14	EZP1T-848	78503	12	EZSB48-5C	78867	171	FLCP	76479	230
EZP1-UHT836	91239	14	EZP1T-854	78504	12	EZSB48-5I	78883	174	FLEL-L	76473	230
EZP1-UHT842	91240	14	EZP1T-860	78505	12	EZSB54-4C	78860	171	FLEL-M	76472	230
EZP1-UHT848	91241	14	EZP1T-872	78506	12	EZSB54-4I	78876	174	FLELK-XL	76986	230
EZP1-UHT854	91242	14	EZPTBT	77384	20	EZSB54-5C	78868	171	FLELP	76474	230
EZP1-UHT860	91243	14	EZPTBTHD	77385	20	EZSB54-5I	78884	174	FLM-PC	71140	227
EZP1-UHT872	91244	14	EZPTCK	78508	20	EZSB60-4C	78861	171	FLRLB-L-SP	77406	230
EZP1BP	75642	19	EZPTCKHD	78509	20	EZSB60-4I	78877	174	FLRLB-M-SP	77405	230
EZP1BP	75642	20	EZPTMPK	78507	20	EZSB60-5C	78869	171	FLRP	76478	230
EZP1BP	75642	152	EZPTSK	78511	20	EZSB60-5I	78885	174	FLSC-I	71052	227
EZP1BP	75642	156	EZPTSKHD	78512	20	EZSB72-4C	78862	171	FLSC-I-50	71054	227
EZP1BP	75642	157	EZPTSR	78510	20	EZSB72-4I	78878	174	FLSC-ISS	75778	227
EZP1MPK	75637	19	EZRMK	78952	173	EZSB72-5C	78870	171	FLSCM-I	71055	227
EZP1MPK-S/S	78923	24	EZS2-18	75643	76	EZSB72-5I	78886	174	FLSCM-I-50	71100	227
EZP10TK1	76418	19	EZS2-24	75644	76	EZWPK-24	78970	173	FLTW-L-SP	77409	230
EZP10TK2	76419	19	EZS2-30	75645	76	EZWPK-24	78970	176	FLTW-M-SP	77408	230
EZP1P12	75619	19	EZS2-36	75646	76	EZWPK-24	78970	179	FLTW-XL-SP	77410	230
EZP1P12	75619	20	EZS2-42	75647	76	EZWPK-24	78970	182	FLVRL-XL-SP	77407	230
EZP1P12-S/S	78812	24	EZS2-48	75648	76	EZWPK-30	78971	173	FLXCP	91430	119
EZP1P18	75620	19	EZS2-54	75649	76	EZWPK-30	78971	176	FLXEP	91431	119
EZP1P18	75620	20	EZS2-60	75650	76	EZWPK-30	78971	179	FMS-18	79637	95
EZP1P18-S/S	78813	24	EZS2-72	75651	76	EZWPK-30	78971	182	FMS-18-YST	90545	95

INDEX By Ordering Number

Ordering Number	Item Code	Page #	Ordering Number	Item Code	Page #	Ordering Number	Item Code	Page #	Ordering Number	Item Code	Page #
FMS-18V	79646	95	HDR48	79014	146	HTF230	76661	13	HV-60S	76108	70
FMS-24	79638	95	HDR54	79015	146	HTF236	76662	13	HV-72L	76265	70
FMS-24-YST	90546	95	HDR60	79016	146	HTF242	76663	13	HV-72LL	76266	70
FMS-24V	79647	95	HDRBK	79009	146	HTF248	76664	13	HV-72M	76264	70
FMS-30	79639	95	HDRBK-HD	79072	146	HTF254	76665	13	HV-72S	76109	70
FMS-30-YST	90547	95	HDRGEK	79236	146	HTF260	76666	13	HV2-18M	79325	65
FMS-30V	79648	95	HDRR24	79019	146	HTF272	76667	13	HV2-18S	79324	65
FMS-36	79640	95	HDRR30	79020	146	HTS18	76085	77	HV2-18SS	79323	65
FMS-36-YST	90548	95	HDRR36	79021	146	HTS24	76086	77	HV2-24M	79328	65
FMS-36V	79649	95	HDRR42	79022	146	HTS30	76087	77	HV2-24S	79327	65
FMS-42	79641	95	HDRR48	79023	146	HTS36	76088	77	HV2-24SS	79326	65
FMS-42-YST	90549	95	HDRR54	79024	146	HTS42	76089	77	HV2-30M	79331	65
FMS-42V	79650	95	HDRR60	79025	146	HTS48	76090	77	HV2-30S	79330	65
FMS-48	79642	95	HDRRS72	79026	146	HTS54	76091	77	HV2-30SS	79329	65
FMS-48-YST	90550	95	HDRRS84	79027	146	HTS60	76092	77	HV2-36L	79335	65
FMS-48V	79651	95	HDRS72	79017	146	HTS72	76093	77	HV2-36M	79334	65
FMS-54	79643	95	HDRS84	79018	146	HTSCK	76094	77	HV2-36S	79333	65
FMS-54-YST	90551	95	HDS	74502	19	HTSCK	76094	79	HV2-36SS	79332	65
FMS-54V	79652	95	HDS	74502	122	HTTS	74141	147	HV2-42L	79339	65
FMS-60	79644	95	HDS	74502	148	HTTS-HT	79068	75	HV2-42LL	79340	65
FMS-60-YST	90552	95	HFC2	75901	74	HTV18S	74828	75	HV2-42M	79338	65
FMS-60V	79653	95	HFC2	75901	148	HTV18SS	74821	75	HV2-42S	79337	65
FMS-72	79645	95	HOBK	76399	67	HTV24S	74829	75	HV2-42SS	79336	65
FMS-72-YST	90553	95	HOBK	76399	74	HTV24SS	74822	75	HV2-48L	79344	65
FMS-72V	79654	95	HP-18	78990	148	HTV30S	74830	75	HV2-48LL	79345	65
FMSC	79699	97	HP-24	78991	148	HTV30SS	74823	75	HV2-48M	79343	65
H-MK1	78987	148	HP-30	78992	148	HTV36M	74838	75	HV2-48S	79342	65
H-MK2	78801	148	HP-36	78993	148	HTV36S	74831	75	HV2-48SS	79341	65
H2P18	79358	67	HP-42	78994	148	HTV36SS	74824	75	HV2-54L	79348	65
H2P24	79359	67	HP-48	78995	148	HTV42M	74839	75	HV2-54LL	79349	65
H2P30	79360	67	HP-54	78996	148	HTV42S	74832	75	HV2-54M	79347	65
H2P36	79361	67	HP-60	78997	148	HTV42SS	74825	75	HV2-54S	79346	65
H2P42	79362	67	HP-72	78998	148	HTV48M	74840	75	HV2-60L	79352	65
H2P48	79363	67	HPS8	73050	148	HTV48S	74833	75	HV2-60LL	79353	65
H2P54	79364	67	HSA8L	73063	70	HTV48SS	74826	75	HV2-60M	79351	65
H2P60	79365	67	HSA8L	73063	72	HV-18M	76191	70	HV2-60S	79350	65
H2P72	79366	67	HSA8L	73063	74	HV-18S	76190	70	HV2-72L	79356	65
H2RC	79374	67	HSA8L	73063	148	HV-18SS	76101	70	HV2-72LL	79357	65
H2SA6L	79372	65	HSA8LL	73064	70	HV-24M	76193	70	HV2-72M	79355	65
H2SA6L	79372	67	HSA8LL	73064	72	HV-24S	76192	70	HV2-72S	79354	65
H2SA6LL	79373	65	HSA8LL	73064	74	HV-24SS	76102	70	HV2PT	79368	65
H2SA6LL	79373	67	HSA8LL	73064	148	HV-30M	76195	70	HV2PT	79368	67
H2SA6M	79371	65	HSA8M	73049	70	HV-30S	76194	70	HV2SSTS	79375	67
H2SA6M	79371	67	HSA8M	73049	72	HV-30SS	76103	70	HV2T-S/S	79367	65
H2SA6S	79370	65	HSA8M	73049	74	HV-36L	76198	70	HV2T-S/S	79367	67
H2SA6S	79370	67	HSA8M	73049	75	HV-36M	76197	70	HVP-18L	76268	72
H2SA6SS	79369	65	HSA8M	73049	148	HV-36S	76196	70	HVP-18M	76267	72
H2SA6SS	79369	67	HSA8S	73048	70	HV-36SS	76104	70	HVP-18S	76124	72
H78P18	76110	74	HSA8S	73048	72	HV-42L	76252	70	HVP-24L	76270	72
H78P24	76111	74	HSA8S	73048	74	HV-42LL	76253	70	HVP-24M	76269	72
H78P30	76112	74	HSA8S	73048	75	HV-42M	76251	70	HVP-24S	76125	72
H78P36	76113	74	HSA8S	73048	148	HV-42S	76199	70	HVP-30L	76272	72
H78P42	76114	74	HSA8SS	73047	70	HV-42SS	76105	70	HVP-30M	76271	72
H78P48	76115	74	HSA8SS	73047	72	HV-48L	76256	70	HVP-30S	76126	72
H78P54	76116	74	HSA8SS	73047	74	HV-48LL	76257	70	HVP-36L	76274	72
H78P60	76117	74	HSA8SS	73047	75	HV-48M	76255	70	HVP-36M	76273	72
H78P72	76118	74	HSA8SS	73047	148	HV-48S	76254	70	HVP-36S	76127	72
HAR-K	78786	19	HSA8SSS	75565	148	HV-48SS	76106	70	HVP-42L	76276	72
HAR-K	78786	148	HSSCS	74772	74	HV-54L	76259	70	HVP-42M	76275	72
HBTk	74776	148	HSSCS	74772	148	HV-54LL	76260	70	HVP-42S	76128	72
HDARK	74550	148	HSSTS	74771	74	HV-54M	76258	70	HVP-48L	76278	72
HDR24	79010	146	HSSTS	74771	148	HV-54S	76107	70	HVP-48LL	76279	72
HDR30	79011	146	HTF212	76658	13	HV-60L	76262	70	HVP-48M	76277	72
HDR36	79012	146	HTF218	76659	13	HV-60LL	76263	70	HVP-48S	76129	72
HDR42	79013	146	HTF224	76660	13	HV-60M	76261	70	HVP-54L	76281	72

INDEX By Ordering Number

Ordering Number	Item Code	Page #	Ordering Number	Item Code	Page #	Ordering Number	Item Code	Page #	Ordering Number	Item Code	Page #
HVP-54LL	76282	72	HXF8M	74690	68	ICT6-S/S	78700	107	LSHD54	30397	234
HVP-54M	76280	72	HXF8M	74690	148	IDHINGE	79316	140	LSHD60	30398	234
HVP-54S	76130	72	HXF8S	74689	68	IDLATCH	79317	140	LSHD72	30399	234
HVP-60L	76284	72	HXF8S	74689	148	IDSC-1212	79311	140	LSHDB30-2	30418	234
HVP-60LL	76285	72	HXF8SS	74307	68	IDSC-1218	79312	140	LSHDB36-2	30414	234
HVP-60M	76283	72	HXF8SS	74307	148	IDSC-1824	79313	140	LSHDB42-2	30421	234
HVP-60S	76131	72	HXFC2	75902	74	IDSC-2424	79314	140	LSHDB48-2	30423	234
HVP-72L	76287	72	HXFC2	75902	148	IDSEAL	79315	140	LSHDB54-2	30424	234
HVP-72LL	76288	72	IB4	76926	176	IEA-42-60	76937	196	LSHDB60-2	30430	234
HVP-72M	76286	72	IB4	76926	179	IEA-42-60	76937	198	LSHDB72-2	30408	234
HVP-72S	76132	72	IB4	76926	182	IEA-72-96	76938	196	LSHDCBS	30373	234
HVPT	73631	72	IB4	76926	190	IEA-72-96	76938	198	LSHDLP	30400	234
HVPT	73631	74	IB4	76926	192	IMK	76936	190	LSHDPP	30052	234
HVPT	73631	148	IB4	76926	194	IMK	76936	192	LSHDS	30392	234
HVT8-S/S	75419	70	IB4-1U	76965	200	IMK	76936	194	LSP12	77070	29
HVT8-S/S	75419	74	IB5	76927	176	INDR-1212	79303	140	LSP12-S/S	77079	33
HVT8-S/S	75419	75	IB5	76927	179	INDR-1212S	79307	140	LSP18	77071	29
HVT8-S/S	75419	148	IB5	76927	182	INDR-1218	79304	140	LSP18-S/S	77080	33
HW-BC	74100	147	IB5	76927	190	INDR-1218S	79308	140	LSP24	77072	29
HW-IMPB	76939	200	IB5	76927	192	INDR-1824	79305	140	LSP24-S/S	77081	33
HXF2-18M	76290	68	IB5	76927	194	INDR-1824S	79309	140	LSP30	77073	29
HXF2-18S	76289	68	IB5	76927	196	INDR-2424	79306	140	LSP30-S/S	77082	33
HXF2-18SS	76138	68	IB5	76927	198	INDR-2424S	79310	140	LSP36	77074	29
HXF2-24M	76292	68	IB5-1U	76966	200	ISABK	76935	196	LSP36-S/S	77083	33
HXF2-24S	76291	68	IBBK	76928	173	ISABK	76935	198	LSP42	77075	29
HXF2-24SS	76139	68	IBBK	76928	176	ISABK-LMH	77529	190	LSP42-S/S	77084	33
HXF2-30M	76294	68	IBBK	76928	179	ISABK-LMH	77529	192	LSP48	77076	29
HXF2-30S	76293	68	IBBK	76928	182	ISABK-LMH	77529	194	LSP48-S/S	77085	33
HXF2-30SS	76140	68	IBBK	76928	190	ISC	74534	149	LSP54	77077	29
HXF2-36L	76297	68	IBBK	76928	192	JNK-A	79891	19	LSP54-S/S	77086	33
HXF2-36M	76296	68	IBBK	76928	194	JNK-B	79892	29	LSP60	77078	29
HXF2-36S	76295	68	IBBK	76928	196	JNK-C	79893	39	LSP60-S/S	77087	33
HXF2-36SS	76141	68	IBBK	76928	198	JNK-C	79893	47	LST-B-S/S	77124	33
HXF2-42L	76300	68	IBS-D5	77530	196	JNK-C	79893	67	LST-P	77121	29
HXF2-42M	76299	68	IBS-DX5	111728	198	JNK-C	79893	74	LST-S	77123	29
HXF2-42S	76298	68	IBS-H4	76933	194	JNK-C	79893	105	LST-TAK	77120	29
HXF2-42SS	76142	68	IBS-H5	76934	194	JNK-C	79893	122	LST-W	77122	29
HXF2-48L	76303	68	IBS-L4	76929	190	JNK-C	79893	126	LST-W-S/S	77125	33
HXF2-48M	76302	68	IBS-L5	76930	190	JNK-D	79894	55	LST-W-S/S-2	77126	33
HXF2-48S	76301	68	IBS-M4	76931	182	JNK-D	79894	60	LSTMPK	77366	29
HXF2-48SS	76143	68	IBS-M4	76931	192	JNK-G	114390	122	LSTMPK-S/S	78933	33
HXF2-54L	76306	68	IBS-M5	76932	182	LA-24	91762	223	LSTMPK2-S/S	78462	33
HXF2-54M	76305	68	IBS-M5	76932	192	LA-30	91763	223	LSTPB-RK	77367	29
HXF2-54S	76304	68	ICT6	74535	76	LA-36	91764	223	MAK	74918	217
HXF2-54SS	76144	68	ICT6	74535	77	LA-42	91765	223	MAK2	79381	217
HXF2-60L	76308	68	ICT6	74535	79	LA-48	91766	223	MAK2-S/S	90048	218
HXF2-60M	76307	68	ICT6	74535	88	LA-54	91835	223	MAKHD	74919	217
HXF2-60S	76145	68	ICT6	74535	89	LA-60	91836	223	MAKHD2	79382	217
HXF2-72L	76310	68	ICT6	74535	91	LA-66	91837	223	MAKHD2-S/S	90049	218
HXF2-72M	76309	68	ICT6	74535	92	LA-72	91838	223	MAKSD	74920	217
HXF2-72S	76146	68	ICT6	74535	94	LA-84	91839	223	MAKSD-S/S	90057	218
HXF2-L	75982	68	ICT6	74535	95	LA-96	91840	223	MAPEK	76024	138
HXF2-L	75982	74	ICT6	74535	97	LAGGING-TB	79080	240	MBADB	79527	129
HXF2-L	75982	148	ICT6	74535	98	LAGGING-TB2	79099	240	MBC-18	79494	127
HXF2-M	75981	68	ICT6	74535	99	LS-BP	77114	29	MBC-18-575V	79914	127
HXF2-M	75981	74	ICT6	74535	101	LS-BP-S/S	77115	33	MBC-18-575V-S	91581	127
HXF2-M	75981	148	ICT6	74535	105	LS-SPK	77365	29	MBC-18-S	91571	127
HXF2-S	75980	68	ICT6	74535	107	LS-SS	77118	29	MBC-24	79495	127
HXF2-S	75980	74	ICT6	74535	108	LS-SW	77117	29	MBC-24-575V	79915	127
HXF2-S	75980	148	ICT6	74535	111	LS-SW-S/S	78850	33	MBC-24-575V-S	91582	127
HXF2-SS	75979	68	ICT6	74535	112	LSHD-RPK	30390	234	MBC-24-S	91572	127
HXF2-SS	75979	74	ICT6	74535	115	LSHD30	30393	234	MBC-30	79496	127
HXF2-SS	75979	148	ICT6	74535	116	LSHD36	30394	234	MBC-30-575V	79916	127
HXF8L	74691	68	ICT6	74535	119	LSHD42	30395	234	MBC-30-575V-S	91583	127
HXF8L	74691	148	ICT6	74535	149	LSHD48	30396	234	MBC-30-S	91573	127

INDEX By Ordering Number

Ordering Number	Item Code	Page #	Ordering Number	Item Code	Page #	Ordering Number	Item Code	Page #	Ordering Number	Item Code	Page #
MBC-36	79497	127	MBRD-42	79518	127	MDWS-96	79063	123	MHP-1236	77714	49
MBC-36-575V	79917	127	MBRD-42	79518	129	MDWS-96P	79064	123	MHP-1236P	78610	50
MBC-36-575V-S	91584	127	MBRD-48	79519	127	METABO-CHGR110	30369	233	MHP-1242	77715	49
MBC-36-S	91574	127	MBRD-48	79519	129	METABO-CHGR220	114974	233	MHP-1242P	78611	50
MBC-42	79498	127	MBRD-54	79520	127	MFASK	75531	217	MHP-1248	77716	49
MBC-42-575V	79918	127	MBRD-54	79520	129	MFASKHD	79571	217	MHP-1248P	78612	50
MBC-42-575V-S	91585	127	MBRD-60	79521	127	MFASKHD-S/S	90050	218	MHP-1254	77717	49
MBC-42-S	91575	127	MBRD-60	79521	129	MHCP-108P	90169	56	MHP-1254P	78613	50
MBC-48	79499	127	MBRD-72	79522	127	MHCP-120P	90170	56	MHP-1260	77718	49
MBC-48-575V	79919	127	MBRD-72	79522	129	MHCP-24P	78723	56	MHP-1260P	78614	50
MBC-48-575V-S	91586	127	MBRD-84	79523	127	MHCP-24S	75929	56	MHP-1272	77719	49
MBC-48-S	91576	127	MBRD-84	79523	129	MHCP-2BC24	76638	60	MHP-1272P	78615	50
MBC-54	79500	127	MCB	74925	216	MHCP-2BC30	76639	60	MHP-1284	77720	49
MBC-54-575V	79920	127	MCB	74925	217	MHCP-2BC36	76640	60	MHP-1284P	78616	50
MBC-54-575V-S	91587	127	MCB	74925	218	MHCP-2BC42	76641	60	MHP-1296	77721	49
MBC-54-S	91577	127	MCBK	76025	216	MHCP-2BC48	76642	60	MHP-1296P	78617	50
MBC-60	79501	127	MCBK	76025	217	MHCP-2BC54	76643	60	MHP-18108P	90163	50
MBC-60-575V	79921	127	MCBK	76025	218	MHCP-2BC60	76644	60	MHP-18120P	90164	50
MBC-60-575V-S	91588	127	MCBKHD	76026	216	MHCP-2BC72	76645	60	MHP-1836	78591	49
MBC-60-S	91578	127	MCBKHD	76026	217	MHCP-2BC84	76812	60	MHP-1836P	78618	50
MBC-72	79502	127	MCBKHD	76026	218	MHCP-2BC96	78986	60	MHP-1842	78592	49
MBC-72-575V	79922	127	MCBKSD	114404	217	MHCP-30P	78724	56	MHP-1842P	78619	50
MBC-72-575V-S	91589	127	MCBKSD	114404	218	MHCP-30S	75930	56	MHP-1848	78593	49
MBC-72-S	91579	127	MCBSD	74926	217	MHCP-36P	78725	56	MHP-1848P	78620	50
MBC-84	79503	127	MCBSD	74926	218	MHCP-36S	75931	56	MHP-1854	78594	49
MBC-84-575V	79923	127	MCRK	74923	216	MHCP-42P	78726	56	MHP-1854P	78621	50
MBC-84-575V-S	91590	127	MCRK	74923	217	MHCP-42S	75932	56	MHP-1860	78595	49
MBC-84-S	91580	127	MCRK	74923	218	MHCP-48P	78727	56	MHP-1860P	78622	50
MBCB	79526	129	MCRKSD	74924	217	MHCP-48S	75933	56	MHP-1872	78596	49
MBCBC	79525	129	MCRKSD	74924	218	MHCP-54P	78728	56	MHP-1872P	78623	50
MBCBL	79532	129	MCS	74930	216	MHCP-54S	75934	56	MHP-1884	78597	49
MBCBM	79528	129	MCS	74930	217	MHCP-60P	78729	56	MHP-1884P	78624	50
MBCDBK	79536	127	MCS	74930	218	MHCP-60S	75935	56	MHP-1896	78598	49
MBCDBK	79536	129	MCSHD	74931	216	MHCP-72P	78730	56	MHP-1896P	78625	50
MBCDBK	79536	138	MCSHD	74931	217	MHCP-72S	75936	56	MHP-24108P	90165	50
MBCEC	79534	129	MCSHD	74931	218	MHCP-84P	78731	56	MHP-24120P	90166	50
MBCM-1	79529	129	MCSK	74927	216	MHCP-84S	76800	56	MHP-2442	78669	49
MBCM-1-S	91591	129	MCSK	74927	217	MHCP-96P	78959	56	MHP-2442P	78676	50
MBCM-2	79530	129	MCSK	74927	218	MHCP-96S	78955	56	MHP-2448	78670	49
MBCM-2-S	91592	129	MCSKHD	74928	216	MHCP-BCK24	75953	58	MHP-2448P	78677	50
MBCM-575-1	79924	129	MCSKHD	74928	217	MHCP-BCK30	75954	58	MHP-2454	78671	49
MBCM-575-1-S	91593	129	MCSKHD	74928	218	MHCP-BCK36	75955	58	MHP-2454P	78678	50
MBCM-575-2	79925	129	MCSKSD	74929	217	MHCP-BCK42	75956	58	MHP-2460	78672	49
MBCM-575-2-S	91594	129	MCSKSD	74929	218	MHCP-BCK48	75957	58	MHP-2460P	78679	50
MBCMCK	79524	129	MCSSD	74932	217	MHCP-BCK54	75958	58	MHP-2472	78673	49
MBCMCK	79533	129	MCSSD	74932	218	MHCP-BCK60	75959	58	MHP-2472P	78680	50
MBCTA	79531	129	MDWS-108P	90177	123	MHCP-BCK72	75960	58	MHP-2484	78674	49
MBDS-18	79504	129	MDWS-24	75868	123	MHCP-BCK84	76810	58	MHP-2484P	78681	50
MBDS-24	79505	129	MDWS-24P	78745	123	MHCP-BCK96	78957	58	MHP-2496	78675	49
MBDS-30	79506	129	MDWS-30	75869	123	MHCP-BPA24	75945	58	MHP-2496P	78682	50
MBDS-36	79507	129	MDWS-30P	78746	123	MHCP-BPA30	75946	58	MHP-6108P	90159	50
MBDS-42	79508	129	MDWS-36	75870	123	MHCP-BPA36	75947	58	MHP-6120P	90160	50
MBDS-48	79509	129	MDWS-36P	78747	123	MHCP-BPA42	75948	58	MHP-624	77703	49
MBDS-54	79510	129	MDWS-42	75871	123	MHCP-BPA48	75949	58	MHP-624P	78599	50
MBDS-60	79511	129	MDWS-42P	78748	123	MHCP-BPA54	75950	58	MHP-630	77704	49
MBDS-72	79512	129	MDWS-48	75872	123	MHCP-BPA60	75951	58	MHP-630P	78600	50
MBDS-84	79513	129	MDWS-48P	78749	123	MHCP-BPA72	75952	58	MHP-636	77705	49
MBRD-18	79514	127	MDWS-54	75873	123	MHCP-BPA84	76809	58	MHP-636P	78601	50
MBRD-18	79514	129	MDWS-54P	78750	123	MHCP-BPA96	78956	58	MHP-642	77706	49
MBRD-24	79515	127	MDWS-60	75874	123	MHCP-BS	76394	60	MHP-642P	78602	50
MBRD-24	79515	129	MDWS-60P	78751	123	MHCP-CH	76393	60	MHP-648	77707	49
MBRD-30	79516	127	MDWS-72	75875	123	MHP-12108P	90161	50	MHP-648P	78603	50
MBRD-30	79516	129	MDWS-72P	78752	123	MHP-12120P	90162	50	MHP-654	77708	49
MBRD-36	79517	127	MDWS-84	76806	123	MHP-1230	77713	49	MHP-654P	78604	50
MBRD-36	79517	129	MDWS-84P	78753	123	MHP-1230P	78609	50	MHP-660	77709	49

INDEX By Ordering Number

Ordering Number	Item Code	Page #	Ordering Number	Item Code	Page #	Ordering Number	Item Code	Page #	Ordering Number	Item Code	Page #
MHP-660P	78605	50	MHS-36-ESAC	77842	116	MHS-60R-S/S	77646	103	MHS-CARK-V42/1050	77940	117
MHP-672	77710	49	MHS-36-S/S	77603	103	MHS-60RMV	79631	100	MHS-CARK-V48/1200	77941	117
MHP-672P	78606	50	MHS-36P	78738	101	MHS-60RU	79744	98	MHS-CARK-V54/1350	77942	117
MHP-684	77711	49	MHS-36R	76615	101	MHS-60RUV	79755	98	MHS-CARK-V60/1500	77943	117
MHP-684P	78607	50	MHS-36R-S/S	77642	103	MHS-60RV	76653	101	MHS-CARK-V72/1800	77944	117
MHP-696	77712	49	MHS-36RMV	79627	100	MHS-60RV-S/S	77655	103	MHS-CARK2-C120/3000	77949	117
MHP-696P	78608	50	MHS-36RU	79740	98	MHS-60V	76176	99	MHS-CARK2-C60/1500	77945	117
MHP-CP24	75961	60	MHS-36RUV	79751	98	MHS-60V-2ESAC	77861	116	MHS-CARK2-C72/1800	77946	117
MHP-CP30	75962	60	MHS-36RV	76649	101	MHS-60V-ESAC	77859	116	MHS-CARK2-C84/2100	77947	117
MHP-CP36	75963	60	MHS-36RV-S/S	77651	103	MHS-60V-MST	79449	100	MHS-CARK2-C96/2400	77948	117
MHP-CP42	75964	60	MHS-36V	76172	99	MHS-60V-S/S	77616	103	MHS-CARK2-V120/3000	77954	117
MHP-CP48	75965	60	MHS-36V-ESAC	77855	116	MHS-72	75917	99	MHS-CARK2-V60/1500	77950	117
MHP-CP54	75966	60	MHS-36V-MST	79445	100	MHS-72-2ESAC	77849	116	MHS-CARK2-V72/1800	77951	117
MHP-CP60	75967	60	MHS-36V-S/S	77612	103	MHS-72-ESAC	77847	116	MHS-CARK2-V84/2100	77952	117
MHP-CP72	75968	60	MHS-42	75913	99	MHS-72-S/S	77608	103	MHS-CARK2-V96/2400	77953	117
MHP-CP84	76811	60	MHS-42-ESAC	77843	116	MHS-72P**	78743	101	MHSP-18	76178	97
MHP-CP96	78958	60	MHS-42-S/S	77604	103	MHS-72R	76620	101	MHSP-18	76178	105
MHP-EP	76392	47	MHS-42P	78739	101	MHS-72R-S/S	77647	103	MHSP-24	75918	97
MHP-EP	76392	55	MHS-42R	76616	101	MHS-72RMV	79632	100	MHSP-24	75918	105
MHP-EP	76392	60	MHS-42R-S/S	77643	103	MHS-72RU	79745	98	MHSP-30	75919	97
MHP-EP	76392	111	MHS-42RMV	79628	100	MHS-72RUV	79756	98	MHSP-30	75919	105
MHP-EP	76392	115	MHS-42RU	79741	98	MHS-72RV	76654	101	MHSP-36	75920	97
MHP-EP	76392	119	MHS-42RUV	79752	98	MHS-72RV-S/S	77656	103	MHSP-36	75920	105
MHP-EP-S/S	77599	48	MHS-42RV	76650	101	MHS-72V	76177	99	MHSP-42	75921	97
MHPBPK	77728	55	MHS-42RV-S/S	77652	103	MHS-72V-2ESAC	77862	116	MHSP-42	75921	105
MHPMPK	77727	55	MHS-42V	76173	99	MHS-72V-ESAC	77860	116	MHSP-48	75922	97
MHPMPK	77727	60	MHS-42V-ESAC	77856	116	MHS-72V-MST	79450	100	MHSP-48	75922	105
MHS-120-2ESAC	77852	116	MHS-42V-MST	79446	100	MHS-72V-S/S	77617	103	MHSP-54	75923	97
MHS-120V-2ESAC	77865	116	MHS-42V-S/S	77613	103	MHS-84	76803	99	MHSP-54	75923	105
MHS-18RMV	79624	100	MHS-48	75914	99	MHS-84-2ESAC	77850	116	MHSP-60	75924	97
MHS-18RUV	79748	98	MHS-48-ESAC	77844	116	MHS-84-S/S	77609	103	MHSP-60	75924	105
MHS-18RV	76646	101	MHS-48-S/S	77605	103	MHS-84P**	78744	101	MHSP-72	75925	97
MHS-18V	76169	99	MHS-48P	78740	101	MHS-84R	76621	101	MHSP-72	75925	105
MHS-18V-MST	79442	100	MHS-48R	76617	101	MHS-84R-S/S	77648	103	MHSP-84	76814	105
MHS-24	75910	99	MHS-48R-S/S	77644	103	MHS-84RU	79746	98	MHSP-96	79052	105
MHS-24-ESAC	77840	116	MHS-48RMV	79629	100	MHS-84RUV	79757	98	MHSP24-S/S	77620	107
MHS-24-S/S	77601	103	MHS-48RU	79742	98	MHS-84RV	76805	101	MHSP30-S/S	77621	107
MHS-24P	78736	101	MHS-48RUV	79753	98	MHS-84RV-S/S	77657	103	MHSP36-S/S	77622	107
MHS-24R	76613	101	MHS-48RV	76651	101	MHS-84V	76804	99	MHSP42-S/S	77623	107
MHS-24R-S/S	77640	103	MHS-48RV-S/S	77653	103	MHS-84V-2ESAC	77863	116	MHSP48-S/S	77624	107
MHS-24RMV	79625	100	MHS-48V	76174	99	MHS-84V-S/S	77618	103	MHSP54-S/S	77625	107
MHS-24RU	79738	98	MHS-48V-ESAC	77857	116	MHS-96	79043	99	MHSP60-S/S	77626	107
MHS-24RUV	79749	98	MHS-48V-MST	79447	100	MHS-96-2ESAC	77851	116	MHSP72-S/S	77627	107
MHS-24RV	76647	101	MHS-48V-S/S	77614	103	MHS-96-S/S	79048	103	MHSP84-S/S	77628	107
MHS-24RV-S/S	77649	103	MHS-54	75915	99	MHS-96P**	79047	101	MHSP96-S/S	79053	107
MHS-24V	76170	99	MHS-54-ESAC	77845	116	MHS-96R	79045	101	MIB2-1U	79379	185
MHS-24V-ESAC	77853	116	MHS-54-S/S	77606	103	MHS-96R-S/S	79050	103	MIB2-1U	79379	188
MHS-24V-MST	79443	100	MHS-54P	78741	101	MHS-96RU	79747	98	MIB2-1UF	79908	185
MHS-24V-S/S	77610	103	MHS-54R	76618	101	MHS-96RUV	79758	98	MIB2-1UF	79908	188
MHS-30	75911	99	MHS-54R-S/S	77645	103	MHS-96RV	79046	101	MIB24-2H	79971	186
MHS-30-ESAC	77841	116	MHS-54RMV	79630	100	MHS-96RV-S/S	79051	103	MIB24CPK	90253	188
MHS-30-S/S	77602	103	MHS-54RU	79743	98	MHS-96V	79044	99	MIB24CSK	90237	185
MHS-30P	78737	101	MHS-54RUV	79754	98	MHS-96V-2ESAC	77864	116	MIB24CSK	90237	188
MHS-30R	76614	101	MHS-54RV	76652	101	MHS-96V-S/S	79049	103	MIB24WPK	90245	185
MHS-30R-S/S	77641	103	MHS-54RV-S/S	77654	103	MHS-CARK-C24/600	77929	117	MIB24WPK	90245	188
MHS-30RMV	79626	100	MHS-54V	76175	99	MHS-CARK-C30/750	77930	117	MIB30-2H	79972	186
MHS-30RU	79739	98	MHS-54V-ESAC	77858	116	MHS-CARK-C36/900	77931	117	MIB30CPK	90254	188
MHS-30RUV	79750	98	MHS-54V-MST	79448	100	MHS-CARK-C42/1050	77932	117	MIB30CSK	90238	185
MHS-30RV	76648	101	MHS-54V-S/S	77615	103	MHS-CARK-C48/1200	77933	117	MIB30CSK	90238	188
MHS-30RV-S/S	77650	103	MHS-60	75916	99	MHS-CARK-C54/1350	77934	117	MIB30WPK	90246	185
MHS-30V	76171	99	MHS-60-2ESAC	77848	116	MHS-CARK-C60/1500	77935	117	MIB30WPK	90246	188
MHS-30V-ESAC	77854	116	MHS-60-ESAC	77846	116	MHS-CARK-C72/1800	77936	117	MIB36-2H	79973	186
MHS-30V-MST	79444	100	MHS-60-S/S	77607	103	MHS-CARK-V24/600	77937	117	MIB36CPK	90255	188
MHS-30V-S/S	77611	103	MHS-60P**	78742	101	MHS-CARK-V30/750	77938	117	MIB36CSK	90239	185
MHS-36	75912	99	MHS-60R	76619	101	MHS-CARK-V36/900	77939	117	MIB36CSK	90239	188

INDEX By Ordering Number

Ordering Number	Item Code	Page #	Ordering Number	Item Code	Page #	Ordering Number	Item Code	Page #	Ordering Number	Item Code	Page #
MIB36WPK	90247	185	MMP-1296	79034	41	MMPCP60	76464	55	MSP-272-S/S	77460	36
MIB36WPK	90247	188	MMP-1296-S/S	79036	42	MMPCP60-S/S	77596	48	MSP-284	76796	34
MIB42-2H	79974	186	MMP-1296P	79038	43	MMPCP72	76465	47	MSP-284-S/S	77461	36
MIB42CPK	90256	188	MMP-1836	77575	41	MMPCP72	76465	55	MSP-824	75795	34
MIB42CSK	90240	185	MMP-1842	77576	41	MMPCP72-S/S	77597	48	MSP-824-S/S	77462	36
MIB42CSK	90240	188	MMP-1848	77577	41	MMPCP84	76808	47	MSP-830	75796	34
MIB42WPK	90248	185	MMP-1854	77578	41	MMPCP84	76808	55	MSP-830-S/S	77463	36
MIB42WPK	90248	188	MMP-1860	77579	41	MMPCP84-S/S	77598	48	MSP-836	75797	34
MIB48-2H	79975	186	MMP-1872	77580	41	MMPCP96	77722	47	MSP-836-S/S	77464	36
MIB48CPK	90257	188	MMP-1884	77581	41	MMPCP96	77722	55	MSP-842	75798	34
MIB48CSK	90241	185	MMP-1896	79040	41	MMPCP96-S/S	78686	48	MSP-842-S/S	77465	36
MIB48CSK	90241	188	MMP-6108P	90389	43	MMPK	76537	34	MSP-848	75799	34
MIB48WPK	90249	185	MMP-6120P	90390	43	MMPK	76537	41	MSP-848-S/S	77466	36
MIB48WPK	90249	188	MMP-624	76450	41	MMPK	76537	49	MSP-854	75800	34
MIB54-2H	79976	186	MMP-624-S/S	77424	42	MMPK	76537	56	MSP-854-S/S	77467	36
MIB54CPK	90258	188	MMP-624P	78706	43	MMPK	76537	138	MSP-860	75801	34
MIB54CSK	90242	185	MMP-630	76451	41	MORK	74921	217	MSP-860-S/S	77468	36
MIB54CSK	90242	188	MMP-630-S/S	77425	42	MORK	74921	218	MSP-872	75802	34
MIB54WPK	90250	185	MMP-630P	78707	43	MORKSD	74922	217	MSP-872-S/S	77470	36
MIB54WPK	90250	188	MMP-636	76452	41	MORKSD	74922	218	MSP-884	76797	34
MIB60-2H	79977	186	MMP-636-S/S	77426	42	MRB18	77531	52	MSP-884-S/S	77471	36
MIB60CPK	90259	188	MMP-636P	78708	43	MRB24	77532	52	MSP-UHT1442	91280	35
MIB60CSK	90243	185	MMP-642	76453	41	MRB30	77533	52	MSP-UHT1448	91281	35
MIB60CSK	90243	188	MMP-642-S/S	77427	42	MRB36	77534	52	MSP-UHT1454	91282	35
MIB60WPK	90251	185	MMP-642P	78709	43	MRB42	77535	52	MSP-UHT1460	91283	35
MIB60WPK	90251	188	MMP-648	76454	41	MRB48	77536	52	MSP-UHT1472	91284	35
MIB72-2H	79978	186	MMP-648-S/S	77428	42	MRB54	77537	52	MSP-UHT224	91264	35
MIB72CPK	90260	188	MMP-648P	78710	43	MRB60	77538	52	MSP-UHT230	91265	35
MIB72CSK	90244	185	MMP-654	76455	41	MRB66	77539	52	MSP-UHT236	91266	35
MIB72CSK	90244	188	MMP-654-S/S	77429	42	MRB72	77540	52	MSP-UHT242	91267	35
MIB72WPK	90252	185	MMP-654P	78711	43	MRB78	77541	52	MSP-UHT248	91268	35
MIB72WPK	90252	188	MMP-660	76456	41	MRB84	77542	52	MSP-UHT254	91269	35
MMBK	75830	34	MMP-660-S/S	77430	42	MRB90	77543	52	MSP-UHT260	91270	35
MMBK	75830	41	MMP-660P	78712	43	MSB24-2I	79979	183	MSP-UHT272	91271	35
MMBK	75830	49	MMP-672	76457	41	MSB24RMK	79991	183	MSP-UHT824	91272	35
MMBK	75830	56	MMP-672-S/S	77431	42	MSB30-2I	79980	183	MSP-UHT830	91273	35
MMBK	75830	138	MMP-672P	78713	43	MSB30RMK	79992	183	MSP-UHT836	91274	35
MMKU	77324	122	MMP-684	76798	41	MSB36-2I	79981	183	MSP-UHT842	91275	35
MMKUHD	77327	122	MMP-684-S/S	77432	42	MSB36RMK	79993	183	MSP-UHT848	91276	35
MMP-12108P	90391	43	MMP-684P	78714	43	MSB42-2I	79982	183	MSP-UHT854	91277	35
MMP-12120P	90392	43	MMP-696	79033	41	MSB42RMK	79994	183	MSP-UHT860	91278	35
MMP-1230	76551	41	MMP-696-S/S	79035	42	MSB48-2I	79983	183	MSP-UHT872	91279	35
MMP-1230-S/S	77433	42	MMP-696P	79037	43	MSB48RMK	79995	183	MSPBP	107852	39
MMP-1230P	78715	43	MMPBPK	76466	47	MSB54-2I	79984	183	MSPBP	107852	40
MMP-1236	76552	41	MMPBPK	76466	155	MSB54RMK	79996	183	MSPBP	107852	126
MMP-1236-S/S	77434	42	MMPBPK-S/S	77600	48	MSB60-2I	79985	183	MSPBPK-S/S	77583	24
MMP-1236P	78716	43	MMPCP24	76458	47	MSB60RMK	79997	183	MSPMPK	75811	39
MMP-1242	76553	41	MMPCP24	76458	55	MSB72-2I	79986	183	MSPMPK	75811	47
MMP-1242-S/S	77435	42	MMPCP24-S/S	77590	48	MSB72RMK	79998	183	MSPMPK	75811	67
MMP-1242P	78717	43	MMPCP30	76459	47	MSBRMK	79987	185	MSPMPK	75811	74
MMP-1248	76554	41	MMPCP30	76459	55	MSP-224	75787	34	MSPMPK-S/S	77582	40
MMP-1248-S/S	77436	42	MMPCP30-S/S	77591	48	MSP-224-S/S	77453	36	MSPMPK-S/S	77582	48
MMP-1248P	78718	43	MMPCP36	76460	47	MSP-230	75788	34	MSPP24	75803	39
MMP-1254	76555	41	MMPCP36	76460	55	MSP-230-S/S	77454	36	MSPP24-S/S	77472	40
MMP-1254-S/S	77437	42	MMPCP36-S/S	77592	48	MSP-236	75789	34	MSPP30	75804	39
MMP-1254P	78719	43	MMPCP42	76461	47	MSP-236-S/S	77455	36	MSPP30	75804	126
MMP-1260	76556	41	MMPCP42	76461	55	MSP-242	75790	34	MSPP30-S/S	77473	40
MMP-1260-S/S	77438	42	MMPCP42-S/S	77593	48	MSP-242-S/S	77456	36	MSPP36	75805	39
MMP-1260P	78720	43	MMPCP48	76462	47	MSP-248	75791	34	MSPP36	75805	126
MMP-1272	76557	41	MMPCP48	76462	55	MSP-248-S/S	77457	36	MSPP36-S/S	77474	40
MMP-1272-S/S	77439	42	MMPCP48-S/S	77594	48	MSP-254	75792	34	MSPP42	75806	39
MMP-1272P	78721	43	MMPCP54	76463	47	MSP-254-S/S	77458	36	MSPP42	75806	126
MMP-1284	76799	41	MMPCP54	76463	55	MSP-260	75793	34	MSPP42-S/S	77475	40
MMP-1284-S/S	77440	42	MMPCP54-S/S	77595	48	MSP-260-S/S	77459	36	MSPP48	75807	39
MMP-1284P	78722	43	MMPCP60	76464	47	MSP-272	75794	34	MSPP48	75807	126

INDEX By Ordering Number

Ordering Number	Item Code	Page #	Ordering Number	Item Code	Page #	Ordering Number	Item Code	Page #	Ordering Number	Item Code	Page #
MSPP48-S/S	77476	40	MXPP-12108	90645	64	P-CARK2-C96/2400	78091	109	PC60-ESAC	77961	108
MSPP54	75808	39	MXPP-12120	90629	64	P-CARK2-V120/3000	78097	109	PC72	74574	88
MSPP54	75808	126	MXPP-1242	90622	64	P-CARK2-V60/1500	78093	109	PC72-2ESAC	77964	108
MSPP54-S/S	77477	40	MXPP-1248	90623	64	P-CARK2-V72/1800	78094	109	PC72-ESAC	77962	108
MSPP60	75809	39	MXPP-1254	90624	64	P-CARK2-V84/2100	78095	109	PC84-2ESAC	77965	108
MSPP60	75809	126	MXPP-1260	90625	64	P-CARK2-V96/2400	78096	109	PC96-2ESAC	77966	108
MSPP60-S/S	77478	40	MXPP-1272	90626	64	PAB	75513	79	PCAP-24/600	77913	111
MSPP66	76695	126	MXPP-1284	90627	64	PAB	75513	91	PCAP-30/750	77914	111
MSPP72	75810	39	MXPP-1296	90628	64	PAB	75513	94	PCAP-36/900	77915	111
MSPP72-S/S	77479	40	MXPP-6108	90644	64	PAB	75513	111	PCAP-42/1050	77916	111
MSPP84	76807	39	MXPP-6120	90596	64	PAB	75513	115	PCAP-48/1200	77917	111
MSPP84-S/S	77480	40	MXPP-642	90589	64	PAB	75513	130	PCAP-54/1350	77918	111
MSPPL	75816	39	MXPP-648	90590	64	PAB	75513	149	PCAP-60/1500	77919	111
MSPPL	75816	67	MXPP-654	90591	64	PACB2-100	108229	44	PCAP-72/1800	77920	111
MSPPL	75816	74	MXPP-660	90592	64	PACB2-100	108229	51	PFC	75927	105
MSPPL-S/S	77524	40	MXPP-672	90593	64	PACB2-100	108229	57	PFC	75927	119
MSR	74914	217	MXPP-684	90594	64	PACB2-100	108229	102	PFC-SS	76560	107
MSR2	79378	216	MXPP-696	90595	64	PACB2-100	108229	124	PFRS	76622	101
MSR2	79378	217	MXPPBK	90607	64	PACB2-100	108229	132	PFRS	76622	105
MSR2-S/S	90046	218	MXPPE	90598	64	PACB2-60	108228	44	PFRS	76622	107
MSRSD	74915	217	N6D3T-24-9-A45	26107	173	PACB2-60	108228	51	PFRS	76622	116
MSRSD-S/S	90055	218	N6D3T-30-11-A45	26108	173	PACB2-60	108228	57	PFS-ESAC	79073	116
MST-MBL	79436	97	N6D3T-36-13-A45	26109	173	PACB2-60	108228	102	PHA	73626	91
MST-MBL	79436	106	N6D3T-42-15-A45	26110	173	PACB2-60	108228	124	PHA	73626	111
MST-MBR	79437	97	N6D3T-48-17-A45	26111	173	PACB2-60	108228	132	PLSC18	75588	89
MST-MBR	79437	106	N6D3T-54-19-A45	26112	173	PAT-C-100	108231	44	PLSC24	75589	89
MSTAM	79435	97	N6D3T-60-21-A45	26113	173	PAT-C-100	108231	51	PLSC30	75590	89
MSTAM	79435	106	N6D3T-72-25-A45	26114	173	PAT-C-100	108231	57	PLSC36	75591	89
MSTBK	79440	97	NI6D3T-24-9-A45	26184	176	PAT-C-100	108231	102	PLSC42	75592	89
MSTBK	79440	106	NI6D3T-24-9-A45	26184	185	PAT-C-100	108231	124	PLSC48	75593	89
MSTCHD	79439	97	NI6D3T-30-11-A45	26185	176	PAT-C-100	108231	132	PLSC54	75594	89
MSTCHD	79439	106	NI6D3T-30-11-A45	26185	185	PAT-C-60	108230	44	PLSP18	75595	91
MSTDB	79434	95	NI6D3T-36-13-A45	26186	176	PAT-C-60	108230	51	PLSP24	75596	91
MSTDB	79434	97	NI6D3T-36-13-A45	26186	185	PAT-C-60	108230	57	PLSP30	75597	91
MSTDB	79434	100	NI6D3T-42-15-A45	26187	176	PAT-C-60	108230	102	PLSP36	75598	91
MSTDB	79434	106	NI6D3T-42-15-A45	26187	185	PAT-C-60	108230	124	PLSP42	75599	91
MSTDB	79434	138	NI6D3T-48-17-A45	26188	176	PAT-C-60	108230	132	PLSP48	75600	91
MSTGT	79441	97	NI6D3T-48-17-A45	26188	185	PAT-N	108232	44	PLSP54	75601	91
MSTGT	79441	106	NI6D3T-54-19-A45	26189	176	PAT-N	108232	51	PMSMK	74916	217
MSTHD-B	79433	97	NI6D3T-54-19-A45	26189	185	PAT-N	108232	57	PMSMK2	79380	216
MSTHD-B	79433	106	NI6D3T-60-21-A45	26190	176	PAT-N	108232	102	PMSMK2	79380	217
MSTHD-S	79432	97	NI6D3T-60-21-A45	26190	185	PAT-N	108232	124	PMSMK2-S/S	90047	218
MSTHD-S	79432	106	NI6D3T-72-25-A45	26191	176	PAT-N	108232	132	PMSMKSD	74917	217
MSTHD-W	79431	97	NI6D3T-72-25-A45	26191	185	PATHK	78794	44	PMSMKSD-S/S	90056	218
MSTHD-W	79431	106	OIBBK	76950	200	PATHK	78794	51	PP-18	78414	91
MSTPMHD	79451	97	P-CARK-C24/600	78072	109	PATHK	78794	57	PP-24	78416	91
MSTPMHD	79451	106	P-CARK-C30/750	78073	109	PATHK	78794	102	PP-30	78418	91
MXP-12108	90643	61	P-CARK-C36/900	78074	109	PATHK	78794	124	PP-36	78420	91
MXP-12120	90588	61	P-CARK-C42/1050	78075	109	PATHK	78794	132	PP-42	78422	91
MXP-1242	90581	61	P-CARK-C48/1200	78076	109	PC120-2ESAC	77967	108	PP-48	78424	91
MXP-1248	90582	61	P-CARK-C54/1350	78077	109	PC18	74566	88	PP-54	78425	91
MXP-1254	90583	61	P-CARK-C60/1500	78078	109	PC24	74567	88	PP-60	78451	91
MXP-1260	90584	61	P-CARK-C72/1800	78079	109	PC24-ESAC	77955	108	PP72	73017	91
MXP-1272	90585	61	P-CARK-V24/600	78080	109	PC30	74568	88	PPS6	73024	91
MXP-1284	90586	61	P-CARK-V30/750	78081	109	PC30-ESAC	77956	108	PSA150	73156	88
MXP-1296	90587	61	P-CARK-V36/900	78082	109	PC36	74569	88	PSA150	73156	91
MXP-6108	90642	61	P-CARK-V42/1050	78083	109	PC36-ESAC	77957	108	PSA150	73156	108
MXP-6120	90400	61	P-CARK-V48/1200	78084	109	PC42	74570	88	PSA150	73156	111
MXP-642	90393	61	P-CARK-V54/1350	78085	109	PC42-ESAC	77958	108	PSSS	74773	91
MXP-648	90394	61	P-CARK-V60/1500	78086	109	PC48	74571	88	PSSS	74773	97
MXP-654	90395	61	P-CARK-V72/1800	78087	109	PC48-ESAC	77959	108	PSSS	74773	101
MXP-660	90396	61	P-CARK2-C120/3000	78092	109	PC54	74572	88	PSSS	74773	105
MXP-672	90397	61	P-CARK2-C60/1500	78088	109	PC54-ESAC	77960	108	PSSS	74773	107
MXP-684	90398	61	P-CARK2-C72/1800	78089	109	PC60	74573	88	PST2-R	77725	55
MXP-696	90399	61	P-CARK2-C84/2100	78090	109	PC60-2ESAC	77963	108	PST2-R	77725	58

INDEX By Ordering Number

Ordering Number	Item Code	Page #	Ordering Number	Item Code	Page #	Ordering Number	Item Code	Page #	Ordering Number	Item Code	Page #
PST2-R	77725	60	PTM30R-S/S	90013	214	PTMAHD60R	90382	212	PTS-36R-UG	77674	209
PST2-S	77724	55	PTM30T	74885	213	PTMAHD60T	90378	212	PTS-42R	77668	209
PST2-S	77724	58	PTM30T-S/S	90002	214	PTMAHD60VR	90386	212	PTS-42R-UG	77675	209
PST2-S	77724	60	PTM30VR	79670	213	PTMAHD72R	90383	212	PTS-48R	77669	209
PST2-W	77723	55	PTM30VR-S/S	90024	214	PTMAHD72T	90379	212	PTS-48R-UG	77676	209
PST2-W	77723	58	PTM36R	74900	213	PTMAHD72VR	90387	212	PTS-54R	77670	209
PST2-W	77723	60	PTM36R-S/S	90014	214	PTMAHD84R	90384	212	PTS-54R-UG	77677	209
PSTA	75896	39	PTM36T	74886	213	PTMAHD84T	90380	212	PTS-60R	77671	209
PSTA	75896	47	PTM36T-S/S	90003	214	PTMAHD84VR	90388	212	PTS-60R-UG	77678	209
PSTA	75896	55	PTM36VR	79671	213	PTMAORK	90197	216	PTS-72R	77672	209
PSTA	75896	60	PTM36VR-S/S	90025	214	PTMHD54R	74905	213	PTS-72R-UG	77679	209
PSTA	75896	67	PTM42R	74901	213	PTMHD54R-S/S	90019	214	PTS-DRK	90100	211
PSTA	75896	74	PTM42R-S/S	90015	214	PTMHD54T	74891	213	PTS-EBK	77702	211
PSTA	75896	122	PTM42T	74887	213	PTMHD54T-S/S	90008	214	PTS-HDSR	77692	211
PSTA-S/S	77442	40	PTM42T-S/S	90004	214	PTMHD54VR	79665	213	PTS-HIBK	77697	211
PSTA-S/S	77442	48	PTM42VR	79672	213	PTMHD54VR-S/S	90030	214	PTS-IBK	77696	211
PSTS-R	77726	55	PTM42VR-S/S	90026	214	PTMHD60R	74906	213	PTS-LHSAA	77756	211
PSTS-R	77726	60	PTM48R	74902	213	PTMHD60R-S/S	90020	214	PTS-MBK	77700	211
PSTS-S	75899	47	PTM48R-S/S	90016	214	PTMHD60T	74892	213	PTS-MBKUG	77701	211
PSTS-S	75899	55	PTM48T	74888	213	PTMHD60T-S/S	90009	214	PTS-PA	77699	211
PSTS-S	75899	60	PTM48T-S/S	90005	214	PTMHD60VR	79666	213	PTS-PS	77698	211
PSTS-S	75899	67	PTM48VR	79673	213	PTMHD60VR-S/S	90031	214	PTS-RHSAA	77755	211
PSTS-S	75899	74	PTM48VR-S/S	90027	214	PTMHD72R	74907	213	PTS-RR21	77680	209
PSTS-W	75898	39	PTM54R	74903	213	PTMHD72R-S/S	90021	214	PTS-RR27	77681	209
PSTS-W	75898	47	PTM54R-S/S	90017	214	PTMHD72T	74893	213	PTS-RR33	77682	209
PSTS-W	75898	55	PTM54T	74889	213	PTMHD72T-S/S	90010	214	PTS-RR39	77683	209
PSTS-W	75898	60	PTM54T-S/S	90006	214	PTMHD72VR	79667	213	PTS-RR39	77683	209
PSTS-W	75898	67	PTM54VR	79674	213	PTMHD72VR-S/S	90032	214	PTS-RR45	77684	209
PSTS-W	75898	74	PTM54VR-S/S	90028	214	PTMHD84R	74908	213	PTS-RR45	77684	209
PSTS-W	75898	122	PTM60R	74904	213	PTMHD84R-S/S	90022	214	PTS-RR51	77685	209
PTEZ-18	90265	205	PTM60R-S/S	90018	214	PTMHD84T	74894	213	PTS-RR51	77685	209
PTEZ-24	90266	205	PTM60T	74890	213	PTMHD84T-S/S	90011	214	PTS-RR57	77686	209
PTEZ-30	90267	205	PTM60T-S/S	90007	214	PTMHD84VR	79668	213	PTS-RR57	77686	209
PTEZ-36	90268	205	PTM60VR	79675	213	PTMHD84VR-S/S	90033	214	PTS-RR63	77687	209
PTEZ-42	90269	205	PTM60VR-S/S	90029	214	PTMSD120R	74912	213	PTS-RR63	77687	209
PTEZ-48	90270	205	PTMA36R	90367	212	PTMSD120R-S/S	90041	214	PTS-RR69	77688	209
PTEZDC	90353	205	PTMA36T	90362	212	PTMSD120T	74898	213	PTS-RR75	77689	209
PTEZHD-42/1050	90616	205	PTMA36VR	90372	212	PTMSD120T-S/S	90037	214	PTS-RR81	77690	209
PTEZHD-42/1050-UG	90798	205	PTMA42R	90368	212	PTMSD120VR	90054	213	PTS-SAK	77694	211
PTEZHD-48/1200	90617	205	PTMA42T	90363	212	PTMSD120VR-S/S	90045	214	PTS-SR	77691	211
PTEZHD-48/1200-UG	90799	205	PTMA42VR	90373	212	PTMSD72R	74909	213	PTS-WMK	78767	211
PTEZHD-54/1350	90618	205	PTMA48R	90369	212	PTMSD72R-S/S	90038	214	PV-18	78453	88
PTEZHD-54/1350-UG	90800	205	PTMA48T	90364	212	PTMSD72T	74895	213	PV-24	78415	88
PTEZHD-56/1400	90795	205	PTMA48VR	90374	212	PTMSD72T-S/S	90034	214	PV-30	78417	88
PTEZHD-60/1500	90619	205	PTMA54R	90370	212	PTMSD72VR	90051	213	PV-36	78419	88
PTEZHD-60/1500-UG	90801	205	PTMA54T	90365	212	PTMSD72VR-S/S	90042	214	PV-42	78421	88
PTEZHD-64/1600	90796	205	PTMA54VR	90375	212	PTMSD84R	74910	213	PV-48	78423	88
PTEZHD-72/1800	90620	205	PTMA60R	90371	212	PTMSD84R-S/S	90039	214	PV-54	78454	88
PTEZHD-72/1800-UG	90802	205	PTMA60T	90366	212	PTMSD84T	74896	213	PV-60	78455	88
PTEZHD-80/2000	90797	205	PTMA60VR	90376	212	PTMSD84T-S/S	90035	214	PV120-2ESAC	77993	108
PTEZHD-84/2100	90621	205	PTMAAK	90194	216	PTMSD84VR	90052	213	PV24-ESAC	77981	108
PTEZHD-DCK	90805	205	PTMAAKHD	90195	216	PTMSD84VR-S/S	90043	214	PV30-ESAC	77982	108
PTEZHD-JBBK	90807	205	PTMAEKHDR	90192	216	PTMSD96R	74911	213	PV36-ESAC	77983	108
PTEZHD-MBK	90803	205	PTMAEKHDT	90191	216	PTMSD96R-S/S	90040	214	PV42-ESAC	77984	108
PTEZHD-PBK	90804	205	PTMAEKHDVR	90193	216	PTMSD96T	74897	213	PV48-ESAC	77985	108
PTEZHD-WRBK	90806	205	PTMAEKR	90189	216	PTMSD96T-S/S	90036	214	PV54-ESAC	77986	108
PTEZMB	90351	205	PTMAEKT	90188	216	PTMSD96VR	90053	213	PV60-2ESAC	77989	108
PTEZPB	90352	205	PTMAEKVR	90190	216	PTMSD96VR-S/S	90044	214	PV60-ESAC	77987	108
PTM24R	75584	213	PTMAFASK	90196	216	PTPK	75897	55	PV72	73438	88
PTM24R-S/S	90012	214	PTMAFMKHDR	90187	216	PTPK	75897	60	PV72-2ESAC	77990	108
PTM24T	75583	213	PTMAFMKR	90186	216	PTS-18R	77664	209	PV72-ESAC	77988	108
PTM24T-S/S	90001	214	PTMAFMKT	90185	216	PTS-24R	77665	209	PV84-2ESAC	77991	108
PTM24VR	79669	213	PTMAHD54R	90381	212	PTS-30R	77666	209	PV96-2ESAC	77992	108
PTM24VR-S/S	90023	214	PTMAHD54T	90377	212	PTS-30R-UG	77673	209	QB1PCK	90954	154
PTM30R	74899	213	PTMAHD54VR	90385	212	PTS-36R	77667	209	QMT-A-P	91285	39

INDEX By Ordering Number

Ordering Number	Item Code	Page #	Ordering Number	Item Code	Page #	Ordering Number	Item Code	Page #	Ordering Number	Item Code	Page #
QMT-A-W	91286	39	QMTS-P-S/S	77450	24	RBAGS-24	76968	156	RBQB1-18/450	90936	154
QMT-ATEX	90435	39	QMTS-P-S/S	77450	40	RBAGS-28	75997	156	RBQB1-22/550	90937	154
QMT-G	76483	39	QMTS-P-S/S	77450	48	RBAGS-30	76969	156	RBQB1-24/600	90938	154
QMT-G	76483	47	QMTS-S-S/S	79056	48	RBAGS-34	75998	156	RBQB1-28/700	90939	154
QMT-G-S/S	77586	40	QMTS-W-S/S	77451	24	RBAGS-36	76970	156	RBQB1-30/750	90940	154
QMT-G-S/S	77586	48	QMTS-W-S/S	77451	40	RBAGS-40	75999	156	RBQB1-34/850	90941	154
QMT-P	76074	39	QMTS-W-S/S	77451	48	RBAGS-42	76971	156	RBQB1-36/900	90942	154
QMT-P	76074	47	R-CARK-C24/600	78098	113	RBAGS-46	76028	156	RBQB1-40/1000	90943	154
QMT-P	76074	67	R-CARK-C30/750	78099	113	RBAGS-48	76972	156	RBQB1-42/1050	90944	154
QMT-P	76074	74	R-CARK-C36/900	78100	113	RBAGS-52	76029	156	RBQB1-46/1150	90945	154
QMT-P-S/S	77584	40	R-CARK-C42/1050	78101	113	RBAGS-54	76973	156	RBQB1-48/1200	90946	154
QMT-P-S/S	77584	48	R-CARK-C48/1200	78102	113	RBAGS-58	76030	156	RBQB1-52/1300	90947	154
QMT-S	79039	47	R-CARK-C54/1350	78103	113	RBAGS-60	76974	156	RBQB1-54/1350	90948	154
QMT-S	79039	67	R-CARK-C60/1500	78104	113	RBAGS-70	76031	156	RBQB1-58/1450	90949	154
QMT-S	79039	74	R-CARK-C72/1800	78105	113	RBAGS-72	76975	156	RBQB1-60/1500	90950	154
QMT-S-S/S	79059	48	R-CARK-V24/600	78106	113	RBAGS-84	76976	156	RBQB1-64/1600	90951	154
QMT-W	76075	39	R-CARK-V30/750	78107	113	RBAGSCM-16	76572	157	RBQB1-70/1750	90952	154
QMT-W	76075	47	R-CARK-V36/900	78108	113	RBAGSCM-22	76573	157	RBQB1-72/1800	90953	154
QMT-W	76075	67	R-CARK-V42/1050	78109	113	RBAGSCM-28	76574	157	RBQC1HD-12	75985	153
QMT-W	76075	74	R-CARK-V48/1200	78110	113	RBAGSCM-34	76575	157	RBQC1HD-18	75986	153
QMT-W-S/S	77585	40	R-CARK-V54/1350	78111	113	RBAGSCM-40	76576	157	RBQC1HD-24	75987	153
QMT-W-S/S	77585	48	R-CARK-V60/1500	78112	113	RBAGSCM-46	76577	157	RBQC1HD-30	75988	153
QMTBK-G	76540	39	R-CARK-V72/1800	78113	113	RBAGSCM-52	76578	157	RBQC1HD-36	75989	153
QMTBK-G	76540	40	R-CARK2-C120/3000	78118	113	RBAGSCM-58	76579	157	RBQC1HD-42	75990	153
QMTBK-G	76540	47	R-CARK2-C60/1500	78114	113	RBAGSCM-70	76581	157	RBQC1HD-48	75991	153
QMTBK-G	76540	48	R-CARK2-C72/1800	78115	113	RBAS4-18	76032	159	RBQC1HD-54	75992	153
QMTBK-P	76097	39	R-CARK2-C84/2100	78116	113	RBAS4-24	76033	159	RBQC1HD-66	75993	153
QMTBK-P	76097	40	R-CARK2-C96/2400	78117	113	RBAS4-30	76034	159	RBSE-10	79861	158
QMTBK-P	76097	47	R-CARK2-V120/3000	78123	113	RBAS4-36	76035	159	RBSE-16	79862	158
QMTBK-P	76097	48	R-CARK2-V60/1500	78119	113	RBAS4-42	76036	159	RBSE-22	79863	158
QMTBK-P	76097	67	R-CARK2-V72/1800	78120	113	RBAS4-48	76037	159	RBSE-28	79864	158
QMTBK-P	76097	74	R-CARK2-V84/2100	78121	113	RBAS4-54	76038	159	RBSE-34	79865	158
QMTBK-W	76098	39	R-CARK2-V96/2400	78122	113	RBAS4-60	76039	159	RBSE-40	79866	158
QMTBK-W	76098	40	RAPEK	77423	138	RBAS4-72	76040	159	RBSE-46	79867	158
QMTBK-W	76098	47	RB38BP	79481	153	RBBDT-6C	90614	163	RBSE-52	79868	158
QMTBK-W	76098	48	RB38BP	79481	159	RBBDTXHD-13C	90615	164	RBSE-58	79869	158
QMTBK-W	76098	55	RB38BP	79481	160	RBBDTXHD-6.5C	77517	164	RBSE-64	79870	158
QMTBK-W	76098	60	RB6DH	76571	162	RBP1R-L	90648	202	RBSE-70	79871	158
QMTBK-W	76098	67	RB6SA	76570	161	RBP1R-M	90647	202	RC120-2ESAC	77980	112
QMTBK-W	76098	74	RBAER-10	76041	160	RBP1R-S	90646	202	RC18	74618	92
QMTBK-W	76098	122	RBAER-16	76042	160	RBP1R-XL	90649	202	RC24	74619	92
QMTPAK	76096	39	RBAER-22	76043	160	RBP1S-L	74560	202	RC24-ESAC	77968	112
QMTPAK	76096	47	RBAER-28	76044	160	RBP1S-M	74559	202	RC30	74620	92
QMTPAK	76096	67	RBAER-34	76045	160	RBP1S-S	74558	202	RC30-ESAC	77969	112
QMTPAK	76096	74	RBAER-40	76046	160	RBP1S-XL	74561	202	RC36	74621	92
QMTPAK	76096	122	RBAER-44	76655	160	RBPFK-L	75524	204	RC36-ESAC	77970	112
QMTPAK-S/S	77587	40	RBAER-46	76047	160	RBPFK-M	75523	204	RC42	74622	92
QMTPAK-S/S	77587	48	RBAER-52	76048	160	RBPFK-S	75522	204	RC42-ESAC	77971	112
QMTPSBK	76099	39	RBAER-58	76049	160	RBPFK-XL	75525	204	RC48	74623	92
QMTPSBK	76099	47	RBAER-70	76050	160	RBPIIT-L	75529	204	RC48-ESAC	77972	112
QMTPSBK	76099	67	RBAGM-16	77106	29	RBPIIT-M	75528	204	RC54	74624	92
QMTPSBK	76099	74	RBAGM-16	77106	156	RBPIIT-S	75527	204	RC54-ESAC	77973	112
QMTPSBK-S/S	77588	40	RBAGM-22	77107	29	RBPIIT-XL	75530	204	RC60	74625	92
QMTPSBK-S/S	77588	48	RBAGM-22	77107	156	RBPMBK	75526	204	RC60-2ESAC	77976	112
QMTS-G	76484	39	RBAGM-28	77108	29	RBPRET	73163	204	RC60-ESAC	77974	112
QMTS-G	76484	47	RBAGM-28	77108	156	RBPRET	73163	211	RC72	74626	92
QMTS-G-S/S	77452	24	RBAGM-34	77109	29	RBPRR-L	90652	204	RC72-2ESAC	77977	112
QMTS-G-S/S	77452	40	RBAGM-34	77109	156	RBPRR-M	90651	204	RC72-ESAC	77975	112
QMTS-G-S/S	77452	48	RBAGM-40	77110	29	RBPRR-S	90650	204	RC84-2ESAC	77978	112
QMTS-P	75845	19	RBAGM-40	77110	156	RBPRR-XL	90653	204	RC96-2ESAC	77979	112
QMTS-P	75845	39	RBAGM-46	77111	29	RBPSR-L	74564	204	RCAP-24/600	77921	115
QMTS-P	75845	47	RBAGM-46	77111	156	RBPSR-M	74563	204	RCAP-30/750	77922	115
QMTS-P	75845	67	RBAGS-16	75995	156	RBPSR-S	74562	204	RCAP-36/900	77923	115
QMTS-P	75845	74	RBAGS-18	76967	156	RBPSR-XL	74565	204	RCAP-42/1050	77924	115
QMTS-P	75845	122	RBAGS-22	75996	156	RBQB1-16/400	90935	154	RCAP-48/1200	77925	115

INDEX By Ordering Number

Ordering Number	Item Code	Page #	Ordering Number	Item Code	Page #	Ordering Number	Item Code	Page #	Ordering Number	Item Code	Page #
RCAP-54/1350	77926	115	RSA150	73628	99	RWPREC-1836	91214	135	SACPL2-60/1500	77895	111
RCAP-60/1500	77927	115	RSA150	73628	100	RWPREC-1842	91215	135	SACPL2-60/1500	77895	115
RCAP-72/1800	77928	115	RSA150	73628	101	RWPREC-1848	91216	135	SACPL2-60/1500	77895	119
RDP1-L	74694	166	RSA150	73628	105	RWPREC-1854	91217	135	SACPL2-72/1800	77896	111
RDP1-M	74693	166	RSA150	73628	107	RWPREC-1860	91218	135	SACPL2-72/1800	77896	115
RDP1-S	74692	166	RSA150	73628	112	RWPREC-1872	91219	135	SACPL2-72/1800	77896	119
RDP1-XL	74695	166	RSA150	73628	115	RWPREC-1884	91220	135	SACPL2-84/2100	77897	111
RDPBK-L	74701	166	RSA150	73628	116	RWPREC-1896	91221	135	SACPL2-84/2100	77897	115
RDPBK-L	74701	168	RSA150	73628	119	RWPREC-624	90068	135	SACPL2-84/2100	77897	119
RDPBK-M	74700	166	RSRR-24	92170	223	RWPREC-630	90069	135	SACPL2-96/2400	77898	111
RDPBK-M	74700	168	RSRR-30	92171	223	RWPREC-636	90070	135	SACPL2-96/2400	77898	115
RDPBK-S	74699	166	RSRR-36	92172	223	RWPREC-642	90071	135	SACPL2-96/2400	77898	119
RDPBK-S	74699	168	RSRR-42	92173	223	RWPREC-648	90072	135	SACRH	77883	111
RDPBK-XL	74702	166	RSRR-48	92174	223	RWPREC-654	90073	135	SACRH	77883	115
RDPBK-XL	74702	168	RSRR-54	92175	223	RWPREC-660	90074	135	SACRH	77883	119
RDPF-L	75568	168	RSRR-60	92176	223	RWPREC-672	90075	135	SACRHL	77884	111
RDPF-M	75567	168	RSRR-66	92177	223	RWPREC-684	90076	135	SACRHL	77884	115
RDPF-S	75566	168	RSRR-72	92178	223	RWPREC-696	90077	135	SACRHL	77884	119
RDPF-XL	75569	168	RSRR-84	92179	223	RWSECS-18F	91417	137	SACRKN	77882	111
RDPMBK	74698	168	RSRR-96	92180	223	RWSECS-24F	91418	137	SACRKN	77882	115
RDPMSK	74705	168	RV-18	78402	92	RWSECS-30F	91419	137	SACRKN	77882	119
RMC1	75817	226	RV-24	78403	92	RWSECS-36F	91420	137	SACRKT	77886	111
RMC1-50	75833	226	RV-30	78404	92	RWSECS-42F	91421	137	SACRKT	77886	115
RMC1-BCP	76414	226	RV-36	78405	92	RWSECS-48F	91422	137	SACRKT	77886	119
RMC1-BPP	76415	226	RV-42	78406	92	RWSECS-54F	91423	137	SACSK	77052	119
RMC1-BPP	76415	228	RV-48	78407	92	RWSECS-60F	91424	137	SACSRC	77065	119
RMC1-CB	75820	226	RV-54	78408	92	RWSECS-72F	91425	137	SAT2AK	78733	105
RMC1-CB	75820	228	RV-60	78409	92	RWSECS-84F	91426	137	SAT2AK	78733	106
RMC1-CP	75819	226	RV-72	74641	92	RWSECS-96F	91427	137	SAT2AK	78733	126
RMC1-LS	75834	226	RV120-2ESAC	78006	112	SAC2-TIP-TL	77866	111	SAT2AK	78733	134
RMC1-LSBPP	76538	226	RV24-ESAC	77994	112	SAC2-TIP-TL	77866	115	SAT2PM	78732	106
RMC1-LSPP	75836	226	RV30-ESAC	77995	112	SAC2-TIP-TL	77866	119	SAT2PM	78732	126
RMC1-PL	75821	226	RV36-ESAC	77996	112	SACHP2	77768	111	SAT2PM	78732	134
RMC1-PP	75832	226	RV42-ESAC	77997	112	SACHP2	77768	115	SATB	76083	106
RMC1LS-PL	75835	226	RV48-ESAC	77998	112	SACHP2	77768	119	SATB	76083	126
RMC2-FS-1	76558	228	RV54-ESAC	77999	112	SACKRP	77885	111	SATB	76083	134
RMC2-FS-50	77330	228	RV60-2ESAC	78002	112	SACKRP	77885	115	SATHB	76084	106
RMC2-FSAPK	76559	228	RV60-ESAC	78000	112	SACKRP	77885	119	SATHB	76084	126
RP-18	78426	94	RV72-2ESAC	78003	112	SACPL-24/600	77887	111	SATHB	76084	134
RP-24	78427	94	RV72-ESAC	78001	112	SACPL-24/600	77887	115	SATXDMK	91415	106
RP-30	78428	94	RV84-2ESAC	78004	112	SACPL-24/600	77887	119	SATXDMK	91415	126
RP-36	78429	94	RV96-2ESAC	78005	112	SACPL-30/750	77888	111	SATXDMK	91415	134
RP-42	78430	94	RVT6-S/S	76205	107	SACPL-30/750	77888	115	SATXDNCB	91414	106
RP-48	78431	94	RWPBLD-18	90087	136	SACPL-30/750	77888	119	SATXDNCB	91414	126
RP-54	78432	94	RWPBLD-24	90088	136	SACPL-36/900	77889	111	SATXDNCB	91414	134
RP-60	78433	94	RWPBLD-30	90089	136	SACPL-36/900	77889	115	SB2	79970	185
RP-72	74612	94	RWPBLD-36	90090	136	SACPL-36/900	77889	119	SB2	79970	188
RS-24	91725	220	RWPBLD-42	90091	136	SACPL-42/1050	77890	111	SB2F	79988	185
RS-30	91726	220	RWPBLD-48	90092	136	SACPL-42/1050	77890	115	SB2F	79988	188
RS-36	91727	220	RWPBLD-54	90093	136	SACPL-42/1050	77890	119	SB4	78789	173
RS-42	91728	220	RWPBLD-60	90094	136	SACPL-48/1200	77891	111	SB4	78789	176
RS-48	91729	220	RWPBLD-66	90095	136	SACPL-48/1200	77891	115	SB4	78789	179
RS-54	91730	220	RWPBLD-72	90096	136	SACPL-48/1200	77891	119	SB4	78789	182
RS-60	91731	220	RWPBLD-78	90097	136	SACPL-54/1350	77892	111	SB4	78789	190
RS-66	91732	220	RWPBLD-84	90098	136	SACPL-54/1350	77892	115	SB4	78789	192
RS-72	91733	220	RWPBLD-90	90099	136	SACPL-54/1350	77892	119	SB4	78789	194
RS-84	91734	220	RWPREC-1230	90078	135	SACPL-60/1500	77893	111	SB5	78790	173
RS-96	91735	220	RWPREC-1236	90079	135	SACPL-60/1500	77893	115	SB5	78790	176
RSA	76249	94	RWPREC-1242	90080	135	SACPL-60/1500	77893	119	SB5	78790	179
RSA	76249	115	RWPREC-1248	90081	135	SACPL-72/1800	77894	111	SB5	78790	182
RSA150	73628	92	RWPREC-1254	90082	135	SACPL-72/1800	77894	115	SB5	78790	190
RSA150	73628	94	RWPREC-1260	90083	135	SACPL-72/1800	77894	119	SB5	78790	192
RSA150	73628	95	RWPREC-1272	90084	135	SACPL2-120/3000	77899	111	SB5	78790	194
RSA150	73628	97	RWPREC-1284	90085	135	SACPL2-120/3000	77899	115	SB5	78790	196
RSA150	73628	98	RWPREC-1296	90086	135	SACPL2-120/3000	77899	119	SB5	78790	198

INDEX By Ordering Number

Ordering Number	Item Code	Page #	Ordering Number	Item Code	Page #	Ordering Number	Item Code	Page #	Ordering Number	Item Code	Page #
SE6-R36	90220	216	SKPU-4X3/8X50	91293	224	SPKHD96	74720	142	STAK	75847	119
SE6-R42	90221	216	SKPU-4X5/8X25	91290	224	SPMK2	75578	142	STAK	75847	126
SE6-R48	90222	216	SKPU-4X5/8X50	91295	224	SPMK3	75579	142	STAKHD	75892	105
SE6-R54	90223	216	SKPU-6X1/2X25	90283	224	SPN	74746	142	STAKHD	75892	107
SE6-R60	90224	216	SKPU-6X1/2X50	91222	224	SPPN	74748	142	STAKHD	75892	119
SE6-R72	90225	216	SKPU-6X1X25	91300	224	SPPR	74744	142	STAKHD	75892	126
SE6-R84	90226	216	SKPU-6X1X50	91303	224	SPYS	74743	142	STGK2	77867	105
SE6-T36	90227	216	SKPU-6X3/4X25	90284	224	SRBK	74941	145	STGK2	77867	106
SE6-T42	90228	216	SKPU-6X3/4X50	91223	224	SSRB	75978	60	STGK2	77867	126
SE6-T48	90229	216	SKPU-6X3/8X25	91298	224	SST-BUK	76943	105	STGK2	77867	126
SE6-T54/VR36	90230	216	SKPU-6X3/8X50	91301	224	SST-BUK	76943	126	STGK2	77867	134
SE6-T60/VR42	90231	216	SKPU-6X5/8X25	91299	224	SST-BUK-S/S	77636	107	STGK2	77867	134
SE6-T72/VR48	90232	216	SKPU-6X5/8X50	91302	224	SST2HD-B-S/S	77639	107	STGK2-S/S	77635	107
SE6-T84	90233	216	SKPU-8X1/2X25	90285	224	SST2HD-G-S/S	79042	107	STHDMK2-S/S	77634	107
SE6-VR54	90234	216	SKPU-8X1/2X50	91224	224	SST2HD-S-S/S	77638	107	STHDPM2-S/S	77633	107
SE6-VR60	90235	216	SKPU-8X1X25	91306	224	SST2HD-W-S/S	77637	107	STJK	74417	19
SE6-VR72	90236	216	SKPU-8X1X50	91309	224	SSTBK-B	76637	105	STJK	74417	122
SE6-VR84	90319	216	SKPU-8X3/4X25	90286	224	SSTBK-B	76637	107	STJK	74417	148
SHIM-KITH	77550	194	SKPU-8X3/4X50	91225	224	SSTBK-B	76637	126	STJM	74775	19
SHIM-KITL	77548	173	SKPU-8X3/8X25	91304	224	SSTBK-B	76637	134	STJM	74775	122
SHIM-KITL	77548	176	SKPU-8X3/8X50	91307	224	SSTBK-W	76636	105	STJM	74775	148
SHIM-KITL	77548	179	SKPU-8X5/8X25	91305	224	SSTBK-W	76636	107	STKD	74504	148
SHIM-KITL	77548	190	SKPU-8X5/8X50	91308	224	SSTBK-W	76636	126	STKHSD	74316	148
SHIM-KITM	77549	182	SKPU-DUAL-6X1/2X25	91400	225	SSTBK-W	76636	134	STKHSS	74313	148
SHIM-KITM	77549	192	SKPU-DUAL-6X1/2X50	91404	225	SSTHB	79582	105	STKS	74505	148
SHIM-KITMOD	79989	185	SKPU-DUAL-6X3/4X25	91401	225	SSTHB	79582	126	STLP	79535	129
SHIM-KITMOD	79989	188	SKPU-DUAL-6X3/4X50	91405	225	SSTHB	79582	134	STS-B	75844	87
SKC-24	91751	223	SKPU-DUAL-8X1/2X25	91402	225	SSTHB-S/S	79586	107	STS-B	75844	97
SKC-30	91752	223	SKPU-DUAL-8X1/2X50	91406	225	SSTHDPM	77868	105	STS-B	75844	105
SKC-36	91753	223	SKPU-DUAL-8X3/4X25	91403	225	SSTHDPM	77868	126	STS-B	75844	106
SKC-42	91754	223	SKPU-DUAL-8X3/4X50	91407	225	SSTHDPM	77868	134	STS-B	75844	126
SKC-48	91755	223	SL-48	91841	223	SSTHK	79070	105	STS-B	75844	134
SKC-54	91756	223	SP-24	91747	220	SSTHK	79070	119	STS-B-S/S	77632	107
SKC-60	91757	223	SP-48	91748	220	SSTHK	79070	126	STS-G	78142	105
SKC-66	91758	223	SP-72	91749	220	SSTHK-S/S	79071	107	STS-G	78142	126
SKC-72	91759	223	SP-96	91750	220	SSTLKB	79493	105	STS-G	78142	134
SKC-84	91760	223	SPBV	74742	142	SSTLKB	79493	107	STS-G-S/S	79057	107
SKC-96	91761	223	SPCP	74734	142	SSTLKB	79493	126	STS-S	75843	87
SKPU-10X1/2X25	91311	224	SPCP	74734	143	SSTLKB	79493	134	STS-S	75843	97
SKPU-10X1/2X50	91316	224	SPG	74747	142	SSTLMB	76072	99	STS-S	75843	105
SKPU-10X1X25	91314	224	SPG-CVR-A	77387	139	SSTLMB	76072	123	STS-S	75843	106
SKPU-10X1X50	91319	224	SPG-CVR-B	77388	139	SSTLMB	76072	138	STS-S	75843	126
SKPU-10X3/4X25	91313	224	SPG-CVR-C	77389	139	SSTOTA	76073	99	STS-S	75843	134
SKPU-10X3/4X50	91318	224	SPG-CVR-D	77390	139	SSTOTA	76073	123	STS-S-S/S	77631	107
SKPU-10X3/8X25	91310	224	SPG-CVR-E	77391	139	SSTOTA	76073	138	STS-W	75846	97
SKPU-10X3/8X50	91315	224	SPG-CVR-F	77392	139	SSTSMB	76071	99	STS-W	75846	105
SKPU-10X5/8X25	91312	224	SPG-CVR-G	77393	139	SSTSMB	76071	123	STS-W	75846	106
SKPU-10X5/8X50	91317	224	SPG-CVR-H	77741	139	SSTSMB	76071	138	STS-W	75846	126
SKPU-12X1/2X25	91321	224	SPH10	74745	142	SSTXD-B	91410	105	STS-W	75846	134
SKPU-12X1/2X50	91326	224	SPK18	74709	142	SSTXD-B	91410	126	STS-W-S/S	77630	107
SKPU-12X1X25	91324	224	SPK24	74710	142	SSTXD-B	91410	134	STTS	74419	19
SKPU-12X1X50	91329	224	SPK30	74711	142	SSTXD-G	91411	105	STTS	74419	122
SKPU-12X3/4X25	91323	224	SPK36	74712	142	SSTXD-G	91411	126	STTS	74419	148
SKPU-12X3/4X50	91328	224	SPK42	74713	142	SSTXD-G	91411	134	TEN-LOCK-KIT	77443	139
SKPU-12X3/8X25	91320	224	SPK48	74714	142	SSTXD-S	91409	105	TL-48	91842	223
SKPU-12X3/8X50	91325	224	SPK54	74715	142	SSTXD-S	91409	126	TRB-HT18	78754	45
SKPU-12X5/8X25	91322	224	SPK60	74716	142	SSTXD-S	91409	134	TRB-HT24	78755	45
SKPU-12X5/8X50	91327	224	SPK72	74717	142	SSTXD-W	91408	105	TRB-HT30	78756	45
SKPU-4X1/2X25	91289	224	SPKHD120	74721	142	SSTXD-W	91408	126	TRB-HT36	78757	45
SKPU-4X1/2X50	91294	224	SPKHD42	74952	142	SSTXD-W	91408	134	TRB-HT42	78758	45
SKPU-4X1X25	91292	224	SPKHD48	74953	142	SSTXDMK	91412	105	TRB-HT48	78759	45
SKPU-4X1X50	91297	224	SPKHD54	74954	142	SSTXDMK	91412	126	TRB-HT54	78760	45
SKPU-4X3/4X25	91291	224	SPKHD60	74955	142	SSTXDMK	91412	134	TRB-HT60	78761	45
SKPU-4X3/4X50	91296	224	SPKHD72	74718	142	STAK	75847	105	TRB-HT66	78762	45
SKPU-4X3/8X25	91288	224	SPKHD84	74719	142	STAK	75847	107	TRB-HT72	78763	45

INDEX By Ordering Number

Ordering Number	Item Code	Page #	Ordering Number	Item Code	Page #	Ordering Number	Item Code	Page #	Ordering Number	Item Code	Page #
TRB-HT78	78764	45	TUG8-54-AL	31709	235	USBP	90411	64	VMFL	74038	168
TRB-UHT18	91865	45	TUG8-60-AL	31710	235	USMK	76792	122	VMFM	74037	168
TRB-UHT24	91866	45	TUG8-72-AL	31711	235	USMK	76792	122	VMFS	73549	168
TRB-UHT30	91867	45	TUG8-84-AL	31712	235	USP18/450	76772	122	VMFXS	73535	168
TRB-UHT36	91868	45	TUG8-96-AL	31713	235	USP24/600	76773	122	VMLK	74982	168
TRB-UHT42	91869	45	TUG8B-12-AL	31735	235	USP30/750	76774	122	VP72	74395	168
TRB-UHT48	91870	45	TUG8B-36-AL	31736	235	USP36/900	76775	122	VP84	74396	168
TRB-UHT54	91871	45	TUG8B-42-AL	31737	235	USP42/1050	76776	122	VP96	74397	168
TRB-UHT60	91872	45	TUG8B-48-AL	31738	235	USP48/1200	76777	122	VPL	73410	168
TRB-UHT66	91873	45	TUG8B-54-AL	31739	235	USP54/1350	76778	122	VPM	73409	168
TRB-UHT72	91874	45	TUG8B-60-AL	31740	235	USP60/1500	76779	122	VPS	73408	168
TRB-UHT78	91875	45	TUG8B-72-AL	31741	235	USP72/1800	76780	122	VPXS	73400	168
TRB-UHT84	91876	45	TUG8B-84-AL	31742	235	USP84/2100	76781	122	VSC	74983	168
TRB-UHT90	91877	45	TUG8B-96-AL	31743	235	USPB2	79206	122	VUBK-72	75574	165
TRB18	76485	45	TUG8C	31799	236	USPK	76790	122	VUBK-84	75575	165
TRB18	76485	155	TUG8E	31747	235	USPK	76790	122	VUBK-96	75576	165
TRB24	76486	45	TUG8P-36-AL	31720	235	UST-P	76794	122	VUBK-L	75573	165
TRB24	76486	155	TUG8P-42-AL	31721	235	UST-S	77757	122	VUBK-M	75572	165
TRB30	76487	45	TUG8P-48-AL	31722	235	UST-W	76795	122	VUBK-S	75571	165
TRB30	76487	155	TUG8P-54-AL	31723	235	USTSC	79299	122	VUBK-XS	75570	165
TRB36	76488	45	TUG8P-60-AL	31724	235	USTSC	79299	122	WB24-2-S/S	K2546	143
TRB36	76488	155	TUG8P-72-AL	31725	235	USTSCHD	79300	122	WB24C-2-S/S	K2686	143
TRB42	76489	45	TUG8P-84-AL	31726	235	USTSCHD	79300	122	WB30-2-S/S	K2547	143
TRB42	76489	155	TUG8P-96-AL	31727	235	USTSCK	79202	122	WB30C-2-S/S	K2687	143
TRB48	76490	45	TUG8S	31794	236	USTSCKHD	79204	122	WB36-2-S/S	K2548	143
TRB48	76490	155	TUGH	31792	236	UTC18	76712	120	WB36C-2-S/S	K2688	143
TRB54	76491	45	UBTK	76977	122	UTC24	76713	120	WB42-2-S/S	K2549	143
TRB54	76491	155	UFB18	74448	120	UTC30	76714	120	WB42C-2-S/S	K2689	143
TRB60	76492	45	UFB24	74449	120	UTC36	76715	120	WB48-2-S/S	K2550	143
TRB60	76492	155	UFB30	74450	120	UTC42	76716	120	WB48C-2-S/S	K2690	143
TRB66	76493	45	UFB36	74451	120	UTC48	76717	120	WB54-2-S/S	K2551	143
TRB66	76493	155	UFB42	74452	120	UTC54	76718	120	WB54C-2-S/S	K2691	143
TRB72	76494	45	UFB48	74453	120	UTC60	76719	120	WB60-2-S/S	K2552	143
TRB72	76494	155	UFB54	74454	120	UTC72	76720	120	WB60C-2-S/S	K2692	143
TRB78	76697	45	UFB60	74455	120	UTC84	76721	120	WB72-2-S/S	K2553	143
TRB78	76697	155	UFB72	74456	120	UTF18	76724	120	WB72C-2-S/S	K2693	143
TRB84	77047	45	UFB84	74460	120	UTF24	76725	120	WB84-2-S/S	K2554	143
TRB84	77047	155	UHDBTK	76978	122	UTF30	76726	120	WB84C-2-S/S	K2694	143
TRB90	77048	45	UHMK	76793	122	UTF36	76727	120	WB96-2-S/S	K2555	143
TRB90	77048	155	UHMK	76793	122	UTF42	76728	120	WB96C-2-S/S	K2695	143
TUG6-36-AL	31700	235	UHPB2	79207	122	UTF48	76729	120	WCLN18-16	71131	242
TUG6-42-AL	31701	235	UHSPK	76791	122	UTF54	76730	120	WCLN24-16	71132	242
TUG6-48-AL	31702	235	UHSPK	76791	122	UTF60	76731	120	WCLN24-30	71150	242
TUG6-54-AL	31703	235	UHVC	79453	67	UTF72	76732	120	WCLN30-16	71133	242
TUG6-60-AL	31704	235	UMBK	76789	122	UTF84	76733	120	WCLN30-30	71134	242
TUG6-72-AL	31705	235	UMBK	76789	122	VAK	76416	168	WCLN36-16	71135	242
TUG6B-12-AL	31728	235	UPBKA	114389	122	VBK-72	74457	165	WCLN36-30	71136	242
TUG6B-36-AL	31729	235	UPFCC	79320	98	VBK-72	74457	168	WCLN42-16	71137	242
TUG6B-42-AL	31730	235	UPFCC	79320	105	VBK-84	74458	165	WCLN42-30	71138	242
TUG6B-48-AL	31731	235	UPSBK	76784	122	VBK-84	74458	168	WCLN48-16	71139	242
TUG6B-54-AL	31732	235	URCB18/450	76748	120	VBK-96	74459	165	WCLN48-30	71144	242
TUG6B-60-AL	31733	235	URCB24/600	76749	120	VBK-96	74459	168	WCLN54-16	71149	242
TUG6B-72-AL	31734	235	URCB30/750	76750	120	VBK-L	73193	165	WCLN54-30	71145	242
TUG6C	31798	236	URCB36/900	76751	120	VBK-L	73193	168	WCLN60-16	71165	242
TUG6E	31744	235	URCB42/1050	76752	120	VBK-M	73192	165	WCLN60-30	71146	242
TUG6P-36-AL	31714	235	URCB48/1200	76753	120	VBK-M	73192	168	WCLN72-16	71151	242
TUG6P-42-AL	31715	235	URCB54/1350	76754	120	VBK-S	73191	165	WCLN72-30	71147	242
TUG6P-48-AL	31716	235	URCB60/1500	76755	120	VBK-S	73191	168	WFRD18-16	72187	241
TUG6P-54-AL	31717	235	URCB72/1800	76756	120	VBK-XS	73190	165	WFRD18-30	72188	241
TUG6P-60-AL	31718	235	URCB84/2100	76757	120	VBK-XS	73190	168	WFRD24-16	72189	241
TUG6P-72-AL	31719	235	USB12	90409	61	VCS	73533	168	WFRD24-30	72190	241
TUG6S	31793	236	USB12	90409	64	VMBK	73399	168	WFRD30-16	72191	241
TUG8-36-AL	31706	235	USB6	90410	61	VMF72	74398	168	WFRD30-30	72192	241
TUG8-42-AL	31707	235	USB6	90410	64	VMF84	74399	168	WFRD36-16	72193	241
TUG8-48-AL	31708	235	USBBRP	90412	64	VMF96	74440	168	WFRD36-30	72194	241

INDEX By Ordering Number

Ordering Number	Item Code	Page #	Ordering Number	Item Code	Page #	Ordering Number	Item Code	Page #	Ordering Number	Item Code	Page #
WFRD42-16	72195	241	YCART-42/1050-HDW	79824	85	YSTLBK-R	91812	83	YTHDR-72S	91821	84
WFRD42-30	72196	241	YCART-42/1050-P	79621	81	YSTMB	79843	83	YTHDW-36S	79789	84
WFRD48-16	72197	241	YCART-42/1050-R	91809	81	YSTMB	79843	97	YTHDW-42S	79790	84
WFRD48-30	72198	241	YCART-42/1050-TC	79815	81	YSTPHDMK	79854	87	YTHDW-48S	79791	84
WFRD54-16	72199	241	YCART-42/1050-W	79615	81	YSTPMK	79848	83	YTHDW-54S	79792	84
WFRD54-30	72200	241	YCART-48/1200-HDP	79819	85	YSTPMK	79848	97	YTHDW-60S	79793	84
WFRD60-16	72201	241	YCART-48/1200-HDR	91825	85	YSTS-P	79796	83	YTHDW-72S	79794	84
WFRD60-30	72202	241	YCART-48/1200-HDTC	79831	85	YSTS-P	79796	97	YTP-18/450	79587	83
WFRD72-16	72203	241	YCART-48/1200-HDW	79825	85	YSTS-Y	79795	83	YTP-24/600	79588	83
WFRD72-30	72204	241	YCART-48/1200-P	79622	81	YSTS-Y	79795	97	YTP-30/750	79589	83
WND18-16	72169	241	YCART-48/1200-R	91810	81	YSTTBK-B	79855	83	YTP-36/900	79590	83
WND18-30	72170	241	YCART-48/1200-TC	79816	81	YSTTBK-B	79855	97	YTP-42/1050	79591	83
WND24-16	72171	241	YCART-48/1200-W	79616	81	YSTTBK-W	79847	83	YTP-48/1200	79592	83
WND24-30	72172	241	YCART-54/1350-HDP	79820	85	YSTTBK-W	79847	97	YTPHD-36/900	79799	87
WND30-16	72173	241	YCART-54/1350-HDR	91826	85	YT-18S	79765	80	YTPHD-42/1050	79800	87
WND30-30	72174	241	YCART-54/1350-HDTC	79832	85	YT-24S	79766	80	YTPHD-48/1200	79801	87
WND36-16	72175	241	YCART-54/1350-HDW	79826	85	YT-30S	79767	80	YTPHD-54/1350	79802	87
WND36-30	72176	241	YCART-60/1500-HDP	79821	85	YT-36S	79768	80	YTPHD-60/1500	79803	87
WND42-16	72177	241	YCART-60/1500-HDR	91827	85	YT-42S	79769	80	YTPHD-72/1800	79804	87
WND42-30	72178	241	YCART-60/1500-HDTC	79833	85	YT-48S	79770	80	YTR-18S	91798	80
WND48-16	72179	241	YCART-60/1500-HDW	79827	85	YT-C	79574	81	YTR-24S	91799	80
WND48-30	72180	241	YCART-72/1800-HDP	79822	85	YT-HDC	79728	85	YTR-30S	91800	80
WND54-16	72181	241	YCART-72/1800-HDR	91828	85	YT-HDP	79677	85	YTR-36S	91801	80
WND54-30	72182	241	YCART-72/1800-HDTC	79834	85	YT-HDR	91822	85	YTR-42S	91802	80
WND60-16	72183	241	YCART-72/1800-HDW	79828	85	YT-HDW	79676	85	YTR-48S	91803	80
WND60-30	72184	241	YST-P	79837	83	YT-P	79573	81	YTW-18S	79771	80
WND72-16	72185	241	YST-P	79837	97	YT-R	91804	81	YTW-24S	79772	80
WND72-30	72186	241	YST-P-R	91815	83	YT-TC-18S	79759	80	YTW-30S	79773	80
XDST-B	90613	64	YST-S	79838	83	YT-TC-24S	79760	80	YTW-36S	79774	80
XDST-P	90612	64	YST-S	79838	97	YT-TC-30S	79761	80	YTW-42S	79775	80
XDST-W	90611	64	YST-Y	79836	83	YT-TC-36S	79762	80	YTW-48S	79776	80
XDSTBK-B	90606	64	YST-Y	79836	97	YT-TC-42S	79763	80			
XDSTBK-P	90605	64	YST-Y-R	91814	83	YT-TC-48S	79764	80			
XDSTBK-W	90604	64	YSTANK	79857	83	YT-W	79572	81			
XDSTJNK	90610	64	YSTANK	79857	97	YTA-18/450	79593	83			
XDSTMPK	90599	64	YSTANKHD	79858	87	YTA-24/600	79594	83			
XDSTPAK	90600	64	YSTBKPU-R	91813	83	YTA-30/750	79595	83			
XDSTPSBK	90608	64	YSTDBK2	113390	80	YTA-36/900	79596	83			
XDSTS-B	90603	64	YSTDBK2	113390	83	YTA-42/1050	79597	83			
XDSTS-P	90602	64	YSTDBK2	113390	138	YTA-48/1200	79598	83			
XDSTS-W	90601	64	YSTGBK	79845	83	YTAC	79623	83			
XDSTTAK	90609	64	YSTGBK	79845	97	YTACHD	79835	87			
YCART-18/450-P	79617	81	YSTGBK-R	91811	83	YTAHD-36/900	79805	87			
YCART-18/450-R	91805	81	YSTHD-BK	79842	87	YTAHD-42/1050	79806	87			
YCART-18/450-TC	79811	81	YSTHD-BL	79841	87	YTAHD-48/1200	79807	87			
YCART-18/450-W	79611	81	YSTHD-BL-R	91834	87	YTAHD-54/1350	79808	87			
YCART-24/600-P	79618	81	YSTHD-GR	79839	87	YTAHD-60/1500	79809	87			
YCART-24/600-R	91806	81	YSTHD-GR-R	91833	87	YTAHD-72/1800	79810	87			
YCART-24/600-TC	79812	81	YSTHD-S	79840	87	YTHD-36S	79783	84			
YCART-24/600-W	79612	81	YSTHDBK-B	79856	87	YTHD-42S	79784	84			
YCART-30/750-P	79619	81	YSTHDBK-BL-R	91831	87	YTHD-48S	79785	84			
YCART-30/750-R	91807	81	YSTHDBK-GR-R	91832	87	YTHD-54S	79786	84			
YCART-30/750-TC	79813	81	YSTHDBK-W	79853	87	YTHD-60S	79787	84			
YCART-30/750-W	79613	81	YSTHDBK	79850	84	YTHD-72S	79788	84			
YCART-36/900-HDP	79817	85	YSTHDBK	79850	87	YTHD-TC-36S	79777	84			
YCART-36/900-HDR	91823	85	YSTHDBK	79850	138	YTHD-TC-42S	79778	84			
YCART-36/900-HDTC	79829	85	YSTHDBGK	79851	87	YTHD-TC-48S	79779	84			
YCART-36/900-HDW	79823	85	YSTHDBGK-R	91829	87	YTHD-TC-54S	79780	84			
YCART-36/900-P	79620	81	YSTHDLBK	79852	87	YTHD-TC-60S	79781	84			
YCART-36/900-R	91808	81	YSTHDLBK-R	91830	87	YTHD-TC-72S	79782	84			
YCART-36/900-TC	79814	81	YSTHDMB	79849	87	YTHDR-36S	91816	84			
YCART-36/900-W	79614	81	YSTHDS-BL	79798	87	YTHDR-42S	91817	84			
YCART-42/1050-HDP	79818	85	YSTHDS-GR	79797	87	YTHDR-48S	91818	84			
YCART-42/1050-HDR	91824	85	YSTLBK	79846	83	YTHDR-54S	91819	84			
YCART-42/1050-HDTC	79830	85	YSTLBK	79846	97	YTHDR-60S	91820	84			

INDEX By Item Code

Item Code	Ordering Number	Page #	Item Code	Ordering Number	Page #	Item Code	Ordering Number	Page #	Item Code	Ordering Number	Page #
04143	900936	231	30418	LSHDB30-2	234	61303	CLMN2100/84-15	238	71082	CLFR2100/84-12	239
04144	900948	231	30421	LSHDB42-2	234	61308	CLMFR450/18-15	238	71100	FLSCM-I-50	227
04145	900960	231	30423	LSHDB48-2	234	61309	CLMFR600/24-15	238	71111	CLN460/18.4-12	239
04146	900972	231	30424	LSHDB54-2	234	61310	CLMFR750/30-15	238	71112	CLN600/24-12	239
04147	900984	231	30430	LSHDB60-2	234	61311	CLMFR900/36-15	238	71113	CLN760/30.4-12	239
04149	900CBK	231	31700	TUG6-36-AL	235	61312	CLMFR1050/42-15	238	71115	CLN900/36-12	239
04200	900924	231	31701	TUG6-42-AL	235	61313	CLMFR1200/48-15	238	71116	CLN1060/42.4-12	239
26107	N6D3T-24-9-A45	173	31702	TUG6-48-AL	235	61314	CLMFR1350/54-15	238	71118	CLFR460/18.4-12	239
26108	N6D3T-30-11-A45	173	31703	TUG6-54-AL	235	61315	CLMFR1500/60-15	238	71119	CLFR600/24-12	239
26109	N6D3T-36-13-A45	173	31704	TUG6-60-AL	235	61316	CLMFR1800/72-15	238	71120	CLFR760/30.4-12	239
26110	N6D3T-42-15-A45	173	31705	TUG6-72-AL	235	61317	CLMFR2100/84-15	238	71122	CLFR900/36-12	239
26111	N6D3T-48-17-A45	173	31706	TUG8-36-AL	235	61319	CLMFR6.5/21-15	237	71123	CLFR1060/42.4-12	239
26112	N6D3T-54-19-A45	173	31707	TUG8-42-AL	235	62052	CLMN450/18-15S	238	71126	CLN1360/54.4-12	239
26113	N6D3T-60-21-A45	173	31708	TUG8-48-AL	235	62053	CLMN600/24-15S	238	71127	CLN1520/60.8-12	239
26114	N6D3T-72-25-A45	173	31709	TUG8-54-AL	235	62054	CLMN750/30-15S	238	71131	WCLN18-16	242
26184	NI6D3T-24-9-A45	176	31710	TUG8-60-AL	235	62055	CLMN900/36-15S	238	71132	WCLN24-16	242
26184	NI6D3T-24-9-A45	185	31711	TUG8-72-AL	235	62056	CLMN1050/42-15S	238	71133	WCLN30-16	242
26185	NI6D3T-30-11-A45	176	31712	TUG8-84-AL	235	62057	CLMN1200/48-15S	238	71134	WCLN30-30	242
26185	NI6D3T-30-11-A45	185	31713	TUG8-96-AL	235	62058	CLMN1350/54-15S	238	71135	WCLN36-16	242
26186	NI6D3T-36-13-A45	176	31714	TUG6P-36-AL	235	62059	CLMN1500/60-15S	238	71136	WCLN36-30	242
26186	NI6D3T-36-13-A45	185	31715	TUG6P-42-AL	235	62060	CLMN1800/72-15S	238	71137	WCLN42-16	242
26187	NI6D3T-42-15-A45	176	31716	TUG6P-48-AL	235	62061	CLMN2100/84-15S	238	71138	WCLN42-30	242
26187	NI6D3T-42-15-A45	185	31717	TUG6P-54-AL	235	62063	CLMFR450/18-15S	238	71139	WCLN48-16	242
26188	NI6D3T-48-17-A45	176	31718	TUG6P-60-AL	235	62064	CLMFR600/24-15S	238	71140	FLM-PC	227
26188	NI6D3T-48-17-A45	185	31719	TUG6P-72-AL	235	62065	CLMFR750/30-15S	238	71141	FL-CP-I	227
26189	NI6D3T-54-19-A45	176	31720	TUG6P-84-AL	235	62066	CLMFR900/36-15S	238	71141	FL-CP-I	227
26189	NI6D3T-54-19-A45	185	31721	TUG8P-42-AL	235	62067	CLMFR1050/42-15S	238	71144	WCLN48-30	242
26190	NI6D3T-60-21-A45	176	31722	TUG8P-48-AL	235	62068	CLMFR1200/48-15S	238	71145	WCLN54-30	242
26190	NI6D3T-60-21-A45	185	31723	TUG8P-54-AL	235	62069	CLMFR1350/54-15S	238	71146	WCLN60-30	242
26191	NI6D3T-72-25-A45	176	31724	TUG8P-60-AL	235	62070	CLMFR1500/60-15S	238	71147	WCLN72-30	242
26191	NI6D3T-72-25-A45	185	31725	TUG8P-72-AL	235	62071	CLMFR1800/72-15S	238	71149	WCLN54-16	242
30001	EBC1	232	31726	TUG8P-84-AL	235	62072	CLMFR2100/84-15S	238	71150	WCLN24-30	242
30002	EBC2	232	31727	TUG8P-96-AL	235	62216	CLMN6.5/21-15	237	71151	WCLN72-16	242
30003	EBC1/CEBC1-B	233	31728	TUG6B-12-AL	235	70186	FL-ACT	240	71152	25ND6.5/21	237
30004	EBC2/CEBC2-B	233	31729	TUG6B-36-AL	235	70189	FL-PR-0.75	240	71155	12ND6.5/21	237
30005	EBC1-DR	233	31730	TUG6B-42-AL	235	71002	10ND6.5/21	237	71159	12FRDC6.5/21	237
30006	EBC2-DR	233	31731	TUG6B-48-AL	235	71004	12ND6.5/21	237	71163	25NP6.5/21	237
30007	EBC/CEBC-EB	233	31732	TUG6B-54-AL	235	71005	CLFR1200/48-12	239	71164	FL-CP-ISS	227
30008	EBC/CEBC-H	233	31733	TUG6B-60-AL	235	71006	15ND6.5/21	237	71165	WCLN60-16	242
30011	EBC1-220	232	31734	TUG6B-72-AL	235	71008	20ND6.5/21	237	71168	FL-PC-ISS	227
30012	EBC2-220	232	31735	TUG8B-12-AL	235	71009	CLFR1520/60.8-12	239	72129	20FRP6.5/21	237
30013	EBC1-220-DR	233	31736	TUG8B-36-AL	235	71010	10NP6.5/21	237	72169	WND18-16	241
30014	EBC2-220-DR	233	31737	TUG8B-42-AL	235	71012	12NP6.5/21	237	72170	WND18-30	241
30018	CEBC1	232	31738	TUG8B-48-AL	235	71014	10FRD6.5/21	237	72171	WND24-16	241
30019	CEBC2	232	31739	TUG8B-54-AL	235	71015	15FRP6.5/21	237	72172	WND24-30	241
30021	CEBC1-220	232	31740	TUG8B-60-AL	235	71016	12FRD6.5/21	237	72173	WND30-16	241
30022	CEBC2-220	232	31741	TUG8B-72-AL	235	71017	15NP6.5/21	237	72174	WND30-30	241
30024	EBC/CEBC-BK	233	31742	TUG8B-84-AL	235	71018	15FRD6.5/21	237	72175	WND36-16	241
30033	EBC1/CEBC1-RK	233	31743	TUG8B-96-AL	235	71019	20FRD6.5/21	237	72176	WND36-30	241
30034	EBC2/CEBC2-RK	233	31744	TUG6E	235	71020	10FRP6.5/21	237	72177	WND42-16	241
30052	LSHDPP	234	31747	TUG8E	235	71021	20NP6.5/21	237	72178	WND42-30	241
30369	METABO-CHGR110	233	31792	TUGH	236	71022	12FRP6.5/21	237	72179	WND48-16	241
30373	LSHDCBS	234	31793	TUG6S	236	71039	CLN1200/48-12	239	72180	WND48-30	241
30390	LSHD-RPK	234	31794	TUG8S	236	71042	CLN1800/72-12	239	72181	WND54-16	241
30392	LSHDS	234	31798	TUG6C	236	71044	CLN2100/84-12	239	72182	WND54-30	241
30393	LSHD30	234	31799	TUG8C	236	71052	FLSC-I	227	72183	WND60-16	241
30394	LSHD36	234	61294	CLMN450/18-15	238	71054	FLSC-I-50	227	72184	WND60-30	241
30395	LSHD42	234	61295	CLMN600/24-15	238	71055	FLSCM-I	227	72185	WND72-16	241
30396	LSHD48	234	61296	CLMN750/30-15	238	71057	FL-PC-I	227	72186	WND72-30	241
30397	LSHD54	234	61297	CLMN900/36-15	238	71058	FL-RPI	227	72187	WFRD18-16	241
30398	LSHD60	234	61298	CLMN1050/42-15	238	71058	FL-RPI	227	72188	WFRD18-30	241
30399	LSHD72	234	61299	CLMN1200/48-15	238	71060	FL-RBI	227	72189	WFRD24-16	241
30400	LSHDLP	234	61300	CLMN1350/54-15	238	71060	FL-RBI	227	72190	WFRD24-30	241
30408	LSHDB72-2	234	61301	CLMN1500/60-15	238	71077	7.5NLD3.3/11	237	72191	WFRD30-16	241
30414	LSHDB36-2	234	61302	CLMN1800/72-15	238	71079	CLFR1800/72-12	239	72192	WFRD30-30	241

INDEX By Item Code

Item Code	Ordering Number	Page #	Item Code	Ordering Number	Page #	Item Code	Ordering Number	Page #	Item Code	Ordering Number	Page #
72193	WFRD36-16	241	73626	PHA	91	74535	ICT6	77	74701	RDPBK-L	166
72194	WFRD36-30	241	73626	PHA	111	74535	ICT6	79	74701	RDPBK-L	168
72195	WFRD42-16	241	73628	RSA150	92	74535	ICT6	88	74702	RDPBK-XL	166
72196	WFRD42-30	241	73628	RSA150	94	74535	ICT6	89	74702	RDPBK-XL	168
72197	WFRD48-16	241	73628	RSA150	95	74535	ICT6	91	74705	RDPMSK	168
72198	WFRD48-30	241	73628	RSA150	97	74535	ICT6	92	74709	SPK18	142
72199	WFRD54-16	241	73628	RSA150	98	74535	ICT6	94	74710	SPK24	142
72200	WFRD54-30	241	73628	RSA150	99	74535	ICT6	95	74711	SPK30	142
72201	WFRD60-16	241	73628	RSA150	100	74535	ICT6	97	74712	SPK36	142
72202	WFRD60-30	241	73628	RSA150	101	74535	ICT6	98	74713	SPK42	142
72203	WFRD72-16	241	73628	RSA150	105	74535	ICT6	99	74714	SPK48	142
72204	WFRD72-30	241	73628	RSA150	107	74535	ICT6	101	74715	SPK54	142
73017	PP72	91	73628	RSA150	112	74535	ICT6	105	74716	SPK60	142
73024	PPS6	91	73628	RSA150	115	74535	ICT6	107	74717	SPK72	142
73047	HSA8SS	70	73628	RSA150	116	74535	ICT6	108	74718	SPKHD72	142
73047	HSA8SS	72	73628	RSA150	119	74535	ICT6	111	74719	SPKHD84	142
73047	HSA8SS	74	73631	HVPT	72	74535	ICT6	112	74720	SPKHD96	142
73047	HSA8SS	75	73631	HVPT	74	74535	ICT6	115	74721	SPKHD120	142
73047	HSA8SS	148	73631	HVPT	148	74535	ICT6	116	74734	SPCP	142
73048	HSA8S	70	74037	VMFM	168	74535	ICT6	119	74734	SPCP	143
73048	HSA8S	72	74038	VMFL	168	74535	ICT6	149	74742	SPBV	142
73048	HSA8S	74	74100	HW-BC	147	74550	HDARK	148	74743	SPYS	142
73048	HSA8S	75	74141	HTTS	147	74558	RBP1S-S	202	74744	SPPR	142
73048	HSA8S	148	74307	HXF8SS	68	74559	RBP1S-M	202	74745	SPH10	142
73049	HSA8M	70	74307	HXF8SS	148	74560	RBP1S-L	202	74746	SPN	142
73049	HSA8M	72	74313	STKHSS	148	74561	RBP1S-XL	202	74747	SPG	142
73049	HSA8M	74	74316	STKHSD	148	74562	RBPSR-S	204	74748	SPPN	142
73049	HSA8M	75	74389	CBV-72	165	74563	RBPSR-M	204	74771	HSSTS	74
73049	HSA8M	148	74390	CBV-84	165	74564	RBPSR-L	204	74771	HSSTS	148
73050	HPS8	148	74391	CBV-96	165	74565	RBPSR-XL	204	74772	HSSCS	74
73063	HSA8L	70	74395	VP72	168	74566	PC18	88	74772	HSSCS	148
73063	HSA8L	72	74396	VP84	168	74567	PC24	88	74773	PSSS	91
73063	HSA8L	74	74397	VP96	168	74568	PC30	88	74773	PSSS	97
73063	HSA8L	148	74398	VMF72	168	74569	PC36	88	74773	PSSS	101
73064	HSA8LL	70	74399	VMF84	168	74570	PC42	88	74773	PSSS	105
73064	HSA8LL	72	74417	STJK	19	74571	PC48	88	74773	PSSS	107
73064	HSA8LL	74	74417	STJK	122	74572	PC54	88	74774	ELT	147
73064	HSA8LL	148	74417	STJK	148	74573	PC60	88	74775	STJM	19
73131	CBV-XS	165	74419	STTS	19	74574	PC72	88	74775	STJM	122
73132	CBV-S	165	74419	STTS	122	74612	RP-72	92	74775	STJM	148
73133	CBV-M	165	74419	STTS	148	74618	RC18	94	74776	HBTk	148
73134	CBV-L	165	74440	VMF96	168	74619	RC24	92	74821	HTV18SS	75
73156	PSA150	88	74448	UFB18	120	74620	RC30	92	74822	HTV24SS	75
73156	PSA150	91	74449	UFB24	120	74621	RC36	92	74823	HTV30SS	75
73156	PSA150	108	74450	UFB30	120	74622	RC42	92	74824	HTV36SS	75
73156	PSA150	111	74451	UFB36	120	74623	RC48	92	74825	HTV42SS	75
73163	RBPRET	204	74452	UFB42	120	74624	RC54	92	74826	HTV48SS	75
73163	RBPRET	211	74453	UFB48	120	74625	RC60	92	74828	HTV18S	75
73190	VBK-XS	165	74454	UFB54	120	74626	RC72	92	74829	HTV24S	75
73190	VBK-XS	168	74455	UFB60	120	74641	RV-72	92	74830	HTV30S	75
73191	VBK-S	165	74456	UFB72	120	74689	HXF8S	68	74831	HTV36S	75
73191	VBK-S	168	74457	VBK-72	165	74689	HXF8S	148	74832	HTV42S	75
73192	VBK-M	165	74457	VBK-72	168	74690	HXF8M	68	74833	HTV48S	75
73192	VBK-M	168	74458	VBK-84	165	74690	HXF8M	148	74838	HTV36M	75
73193	VBK-L	165	74458	VBK-84	168	74691	HXF8L	68	74839	HTV42M	75
73193	VBK-L	168	74459	VBK-96	165	74691	HXF8L	148	74840	HTV48M	75
73399	VMBK	168	74459	VBK-96	168	74692	RDP1-S	166	74885	PTM30T	213
73400	VPXS	168	74460	UFB84	120	74693	RDP1-M	166	74886	PTM36T	213
73408	VPS	168	74502	HDTs	19	74694	RDP1-L	166	74887	PTM42T	213
73409	VPM	168	74502	HDTs	122	74695	RDP1-XL	166	74888	PTM48T	213
73410	VPL	168	74502	HDTs	148	74698	RDPMBK	168	74889	PTM54T	213
73438	PV72	88	74504	STKD	148	74699	RDPBK-S	166	74890	PTM60T	213
73533	VCS	168	74505	STKS	148	74699	RDPBK-S	168	74891	PTMHD54T	213
73535	VMFXS	168	74534	ISC	149	74700	RDPBK-M	166	74892	PTMHD60T	213
73549	VMFS	168	74535	ICT6	76	74700	RDPBK-M	168	74893	PTMHD72T	213

INDEX By Item Code

Item Code	Ordering Number	Page #	Item Code	Ordering Number	Page #	Item Code	Ordering Number	Page #	Item Code	Ordering Number	Page #
74894	PTMHD84T	213	75419	HVT8-S/S	74	75622	EZP1P30	19	75651	EZS2-72	76
74895	PTMSD72T	213	75419	HVT8-S/S	75	75622	EZP1P30	20	75652	EZS2P18	79
74896	PTMSD84T	213	75419	HVT8-S/S	148	75623	EZP1P36	19	75652	EZS2P18	149
74897	PTMSD96T	213	75513	PAB	79	75623	EZP1P36	20	75653	EZS2P24	79
74898	PTMSD120T	213	75513	PAB	91	75624	EZP1P42	19	75653	EZS2P24	149
74899	PTM30R	213	75513	PAB	94	75624	EZP1P42	20	75654	EZS2P30	79
74900	PTM36R	213	75513	PAB	111	75625	EZP1P48	19	75654	EZS2P30	149
74901	PTM42R	213	75513	PAB	115	75625	EZP1P48	20	75655	EZS2P36	79
74902	PTM48R	213	75513	PAB	130	75626	EZP1P54	19	75655	EZS2P36	149
74903	PTM54R	213	75513	PAB	149	75626	EZP1P54	20	75656	EZS2P42	79
74904	PTM60R	213	75522	RBPFK-S	204	75627	EZP1P60	19	75656	EZS2P42	149
74905	PTMHD54R	213	75523	RBPFK-M	204	75627	EZP1P60	20	75657	EZS2P48	79
74906	PTMHD60R	213	75524	RBPFK-L	204	75628	CRB10	16	75657	EZS2P48	149
74907	PTMHD72R	213	75525	RBPFK-XL	204	75628	CRB10	22	75658	EZS2P54	79
74908	PTMHD84R	213	75526	RBPMBK	204	75628	CRB10	37	75658	EZS2P54	149
74909	PTMSD72R	213	75527	RBPIIT-S	204	75628	CRB10	152	75659	EZS2P60	79
74910	PTMSD84R	213	75528	RBPIIT-M	204	75629	CRB16	16	75659	EZS2P60	149
74911	PTMSD96R	213	75529	RBPIIT-L	204	75629	CRB16	22	75660	EZS2P72	79
74912	PTMSD120R	213	75530	RBPIIT-XL	204	75629	CRB16	37	75660	EZS2P72	149
74914	MSR	217	75531	MFASK	217	75629	CRB16	152	75661	FFCK	79
74915	MSRSD	217	75565	HSA8SSS	148	75630	CRB22	16	75666	EZS2MBK	79
74916	PMSMK	217	75566	RDPF-S	168	75630	CRB22	22	75666	EZS2MBK	91
74917	PMSMKSD	217	75567	RDPF-M	168	75630	CRB22	37	75666	EZS2MBK	94
74918	MAK	217	75568	RDPF-L	168	75630	CRB22	152	75666	EZS2MBK	111
74919	MAKHD	217	75569	RDPF-XL	168	75631	CRB28	16	75666	EZS2MBK	115
74920	MAKSD	217	75570	VUBK-XS	165	75631	CRB28	22	75666	EZS2MBK	130
74921	MORK	217	75571	VUBK-S	165	75631	CRB28	37	75666	EZS2MBK	149
74921	MORK	218	75572	VUBK-M	165	75631	CRB28	152	75771	EZP1-272	11
74922	MORKSD	217	75573	VUBK-L	165	75632	CRB34	16	75772	EZP1P72	19
74922	MORKSD	218	75574	VUBK-72	165	75632	CRB34	22	75772	EZP1P72	20
74923	MCRK	216	75575	VUBK-84	165	75632	CRB34	37	75773	CRB70	16
74923	MCRK	217	75576	VUBK-96	165	75632	CRB34	152	75773	CRB70	22
74923	MCRK	218	75578	SPMK2	142	75633	CRB40	16	75773	CRB70	37
74924	MCRKSD	217	75579	SPMK3	142	75633	CRB40	22	75773	CRB70	152
74924	MCRKSD	218	75583	PTM24T	213	75633	CRB40	37	75774	EZP1-872	11
74925	MCB	216	75584	PTM24R	213	75633	CRB40	152	75775	CRB64	16
74925	MCB	217	75588	PLSC18	89	75634	CRB46	16	75775	CRB64	22
74925	MCB	218	75589	PLSC24	89	75634	CRB46	22	75775	CRB64	37
74926	MCBSD	217	75590	PLSC30	89	75634	CRB46	37	75778	FLSC-ISS	227
74926	MCBSD	218	75591	PLSC36	89	75634	CRB46	152	75779	EZP1-818	11
74927	MCSK	216	75592	PLSC42	89	75635	CRB52	16	75780	EZP1-824	11
74927	MCSK	217	75593	PLSC48	89	75635	CRB52	22	75781	EZP1-830	11
74927	MCSK	218	75594	PLSC54	89	75635	CRB52	37	75782	EZP1-836	11
74928	MCSKHD	216	75595	PLSP18	91	75635	CRB52	152	75783	EZP1-842	11
74928	MCSKHD	217	75596	PLSP24	91	75636	CRB58	16	75784	EZP1-848	11
74928	MCSKHD	218	75597	PLSP30	91	75636	CRB58	22	75785	EZP1-854	11
74929	MCSKSD	217	75598	PLSP36	91	75636	CRB58	37	75786	EZP1-860	11
74929	MCSKSD	218	75599	PLSP42	91	75636	CRB58	152	75787	MSP-224	34
74930	MCS	216	75600	PLSP48	91	75637	EZP1MPK	19	75788	MSP-230	34
74930	MCS	217	75601	PLSP54	91	75641	EZP1PL	19	75789	MSP-236	34
74930	MCS	218	75610	EZP1-212	11	75641	EZP1PL	20	75790	MSP-242	34
74931	MCSHD	216	75611	EZP1-218	11	75641	EZP1PL	148	75791	MSP-248	34
74931	MCSHD	217	75612	EZP1-224	11	75642	EZP1BP	19	75792	MSP-254	34
74931	MCSHD	218	75613	EZP1-230	11	75642	EZP1BP	20	75793	MSP-260	34
74932	MCSSD	217	75614	EZP1-236	11	75642	EZP1BP	152	75794	MSP-272	34
74932	MCSSD	218	75615	EZP1-242	11	75642	EZP1BP	156	75795	MSP-824	34
74941	SRBK	145	75616	EZP1-248	11	75642	EZP1BP	157	75796	MSP-830	34
74952	SPKHD42	142	75617	EZP1-254	11	75643	EZS2-18	76	75797	MSP-836	34
74953	SPKHD48	142	75618	EZP1-260	11	75644	EZS2-24	76	75798	MSP-842	34
74954	SPKHD54	142	75619	EZP1P12	19	75645	EZS2-30	76	75799	MSP-848	34
74955	SPKHD60	142	75619	EZP1P12	20	75646	EZS2-36	76	75800	MSP-854	34
74982	VMLK	168	75620	EZP1P18	19	75647	EZS2-42	76	75801	MSP-860	34
74983	VSC	168	75620	EZP1P18	20	75648	EZS2-48	76	75802	MSP-872	34
75017	FL-ADH-0.8	240	75621	EZP1P24	19	75649	EZS2-54	76	75803	MSPP24	39
75419	HVT8-S/S	70	75621	EZP1P24	20	75650	EZS2-60	76	75804	MSPP30	39

INDEX By Item Code

Item Code	Ordering Number	Page #	Item Code	Ordering Number	Page #	Item Code	Ordering Number	Page #	Item Code	Ordering Number	Page #
75804	MSPP30	126	75872	MDWS-48	123	75919	MHSP-30	105	75990	RBQC1HD-42	153
75805	MSPP36	39	75873	MDWS-54	123	75920	MHSP-36	97	75991	RBQC1HD-48	153
75805	MSPP36	126	75874	MDWS-60	123	75920	MHSP-36	105	75992	RBQC1HD-54	153
75806	MSPP42	39	75875	MDWS-72	123	75921	MHSP-42	97	75993	RBQC1HD-66	153
75806	MSPP42	126	75883	DWP-72	126	75921	MHSP-42	105	75995	RBAGS-16	156
75807	MSPP48	39	75884	CDWB24	123	75922	MHSP-48	97	75996	RBAGS-22	156
75807	MSPP48	126	75885	CDWB30	123	75922	MHSP-48	105	75997	RBAGS-28	156
75808	MSPP54	39	75886	CDWB36	123	75923	MHSP-54	97	75998	RBAGS-34	156
75808	MSPP54	126	75887	CDWB42	123	75923	MHSP-54	105	75999	RBAGS-40	156
75809	MSPP60	39	75888	CDWB48	123	75924	MHSP-60	97	76024	MAPEK	138
75809	MSPP60	126	75889	CDWB54	123	75924	MHSP-60	105	76025	MCBK	216
75810	MSPP72	39	75890	CDWB60	123	75925	MHSP-72	97	76025	MCBK	217
75811	MSPMPK	39	75891	CDWB72	123	75925	MHSP-72	105	76025	MCBK	218
75811	MSPMPK	47	75892	STAKHD	105	75927	PFC	105	76026	MCBKHD	216
75811	MSPMPK	67	75892	STAKHD	107	75927	PFC	119	76026	MCBKHD	217
75811	MSPMPK	74	75892	STAKHD	119	75929	MHCP-24S	56	76026	MCBKHD	218
75816	MSPLL	39	75892	STAKHD	126	75930	MHCP-30S	56	76028	RBAGS-46	156
75816	MSPLL	67	75896	PSTA	39	75931	MHCP-36S	56	76029	RBAGS-52	156
75816	MSPLL	74	75896	PSTA	47	75932	MHCP-42S	56	76030	RBAGS-58	156
75817	RMC1	226	75896	PSTA	55	75933	MHCP-48S	56	76031	RBAGS-70	156
75819	RMC1-CP	226	75896	PSTA	60	75934	MHCP-54S	56	76032	RBAS4-18	159
75820	RMC1-CB	226	75896	PSTA	67	75935	MHCP-60S	56	76033	RBAS4-24	159
75820	RMC1-CB	228	75896	PSTA	74	75936	MHCP-72S	56	76034	RBAS4-30	159
75821	RMC1-PL	226	75896	PSTA	122	75945	MHCP-BPA24	58	76035	RBAS4-36	159
75830	MMBK	34	75897	PTPK	55	75946	MHCP-BPA30	58	76036	RBAS4-42	159
75830	MMBK	41	75897	PTPK	60	75947	MHCP-BPA36	58	76037	RBAS4-48	159
75830	MMBK	49	75898	PSTS-W	39	75948	MHCP-BPA42	58	76038	RBAS4-54	159
75830	MMBK	56	75898	PSTS-W	47	75949	MHCP-BPA48	58	76039	RBAS4-60	159
75830	MMBK	138	75898	PSTS-W	55	75950	MHCP-BPA54	58	76040	RBAS4-72	159
75832	RMC1-PP	226	75898	PSTS-W	60	75951	MHCP-BPA60	58	76041	RBAER-10	160
75833	RMC1-50	226	75898	PSTS-W	67	75952	MHCP-BPA72	58	76042	RBAER-16	160
75834	RMC1-LS	226	75898	PSTS-W	74	75953	MHCP-BCK24	58	76043	RBAER-22	160
75835	RMC1LS-PL	226	75898	PSTS-W	122	75954	MHCP-BCK30	58	76044	RBAER-28	160
75836	RMC1-LSPP	226	75899	PSTS-S	47	75955	MHCP-BCK36	58	76045	RBAER-34	160
75843	STS-S	87	75899	PSTS-S	55	75956	MHCP-BCK42	58	76046	RBAER-40	160
75843	STS-S	97	75899	PSTS-S	60	75957	MHCP-BCK48	58	76047	RBAER-46	160
75843	STS-S	105	75899	PSTS-S	67	75958	MHCP-BCK54	58	76048	RBAER-52	160
75843	STS-S	106	75899	PSTS-S	74	75959	MHCP-BCK60	58	76049	RBAER-58	160
75843	STS-S	126	75901	HFC2	74	75960	MHCP-BCK72	58	76050	RBAER-70	160
75843	STS-S	134	75901	HFC2	148	75961	MHP-CP24	60	76069	AWTNCB	47
75844	STS-B	87	75902	HXFC2	74	75962	MHP-CP30	60	76069	AWTNCB	55
75844	STS-B	97	75902	HXFC2	148	75963	MHP-CP36	60	76069	AWTNCB	58
75844	STS-B	105	75905	AWTB	47	75964	MHP-CP42	60	76069	AWTNCB	60
75844	STS-B	106	75905	AWTB	55	75965	MHP-CP48	60	76071	SSTSMB	99
75844	STS-B	126	75905	AWTB	60	75966	MHP-CP54	60	76071	SSTSMB	123
75844	STS-B	134	75906	AWTMB	47	75967	MHP-CP60	60	76071	SSTSMB	138
75845	QMTS-P	19	75906	AWTMB	55	75968	MHP-CP72	60	76072	SSTLMB	99
75845	QMTS-P	39	75906	AWTMB	60	75978	SSRB	60	76072	SSTLMB	123
75845	QMTS-P	47	75907	AWTA	47	75979	HXF2-SS	68	76072	SSTLMB	138
75845	QMTS-P	67	75907	AWTA	55	75979	HXF2-SS	74	76073	SSTOTA	99
75845	QMTS-P	74	75907	AWTA	60	75979	HXF2-SS	148	76073	SSTOTA	123
75845	QMTS-P	122	75909	AWTHK	47	75980	HXF2-S	68	76073	SSTOTA	138
75846	STS-W	97	75909	AWTHK	55	75980	HXF2-S	74	76074	QMT-P	39
75846	STS-W	105	75909	AWTHK	60	75980	HXF2-S	148	76074	QMT-P	47
75846	STS-W	106	75910	MHS-24	99	75981	HXF2-M	68	76074	QMT-P	67
75846	STS-W	126	75911	MHS-30	99	75981	HXF2-M	74	76074	QMT-P	74
75846	STS-W	134	75912	MHS-36	99	75981	HXF2-M	148	76075	QMT-W	39
75847	STAK	105	75913	MHS-42	99	75982	HXF2-L	68	76075	QMT-W	47
75847	STAK	107	75914	MHS-48	99	75982	HXF2-L	74	76075	QMT-W	67
75847	STAK	119	75915	MHS-54	99	75982	HXF2-L	148	76075	QMT-W	74
75847	STAK	126	75916	MHS-60	99	75985	RBQC1HD-12	153	76083	SATB	106
75868	MDWS-24	123	75917	MHS-72	99	75986	RBQC1HD-18	153	76083	SATB	126
75869	MDWS-30	123	75918	MHSP-24	97	75987	RBQC1HD-24	153	76083	SATB	134
75870	MDWS-36	123	75918	MHSP-24	105	75988	RBQC1HD-30	153	76084	SATHB	106
75871	MDWS-42	123	75919	MHSP-30	97	75989	RBQC1HD-36	153	76084	SATHB	126

INDEX By Item Code

Item Code	Ordering Number	Page #	Item Code	Ordering Number	Page #	Item Code	Ordering Number	Page #	Item Code	Ordering Number	Page #
76084	SATHB	134	76140	HXF2-30SS	68	76285	HVP-60LL	72	76458	MMPCP24	55
76085	HTS18	77	76141	HXF2-36SS	68	76286	HVP-72M	72	76459	MMPCP30	47
76086	HTS24	77	76142	HXF2-42SS	68	76287	HVP-72L	72	76459	MMPCP30	55
76087	HTS30	77	76143	HXF2-48SS	68	76288	HVP-72LL	72	76460	MMPCP36	47
76088	HTS36	77	76144	HXF2-54SS	68	76289	HXF2-18S	68	76460	MMPCP36	55
76089	HTS42	77	76145	HXF2-60S	68	76290	HXF2-18M	68	76461	MMPCP42	47
76090	HTS48	77	76146	HXF2-72S	68	76291	HXF2-24S	68	76461	MMPCP42	55
76091	HTS54	77	76169	MHS-18V	99	76292	HXF2-24M	68	76462	MMPCP48	47
76092	HTS60	77	76170	MHS-24V	99	76293	HXF2-30S	68	76462	MMPCP48	55
76093	HTS72	77	76171	MHS-30V	99	76294	HXF2-30M	68	76463	MMPCP54	47
76094	HTSCK	77	76172	MHS-36V	99	76295	HXF2-36S	68	76463	MMPCP54	55
76094	HTSCK	79	76173	MHS-42V	99	76296	HXF2-36M	68	76464	MMPCP60	47
76096	QMTPAK	39	76174	MHS-48V	99	76297	HXF2-36L	68	76464	MMPCP60	55
76096	QMTPAK	47	76175	MHS-54V	99	76298	HXF2-42S	68	76465	MMPCP72	47
76096	QMTPAK	67	76176	MHS-60V	99	76299	HXF2-42M	68	76465	MMPCP72	55
76096	QMTPAK	74	76177	MHS-72V	99	76300	HXF2-42L	68	76466	MMPBPK	47
76096	QMTPAK	122	76178	MHSP-18	97	76301	HXF2-48S	68	76466	MMPBPK	155
76097	QMTBK-P	39	76178	MHSP-18	105	76302	HXF2-48M	68	76472	FLEL-M	230
76097	QMTBK-P	40	76190	HV-18S	70	76303	HXF2-48L	68	76473	FLEL-L	230
76097	QMTBK-P	47	76191	HV-18M	70	76304	HXF2-54S	68	76474	FLELP	230
76097	QMTBK-P	48	76192	HV-24S	70	76305	HXF2-54M	68	76478	FLRP	230
76097	QMTBK-P	67	76193	HV-24M	70	76306	HXF2-54L	68	76479	FLCP	230
76097	QMTBK-P	74	76194	HV-30S	70	76307	HXF2-60M	68	76483	QMT-G	39
76098	QMTBK-W	39	76195	HV-30M	70	76308	HXF2-60L	68	76483	QMT-G	47
76098	QMTBK-W	40	76196	HV-36S	70	76309	HXF2-72M	68	76484	QMTS-G	39
76098	QMTBK-W	47	76197	HV-36M	70	76310	HXF2-72L	68	76484	QMTS-G	47
76098	QMTBK-W	48	76198	HV-36L	70	76392	MHP-EP	47	76485	TRB18	45
76098	QMTBK-W	55	76199	HV-42S	70	76392	MHP-EP	55	76485	TRB18	155
76098	QMTBK-W	60	76205	RVT6-S/S	107	76392	MHP-EP	60	76486	TRB24	45
76098	QMTBK-W	67	76249	RSA	94	76392	MHP-EP	111	76486	TRB24	155
76098	QMTBK-W	74	76249	RSA	115	76392	MHP-EP	115	76487	TRB30	45
76098	QMTBK-W	122	76251	HV-42M	70	76392	MHP-EP	119	76487	TRB30	155
76099	QMTPSBK	39	76252	HV-42L	70	76393	MHCP-CH	60	76488	TRB36	45
76099	QMTPSBK	47	76253	HV-42LL	70	76394	MHCP-BS	60	76488	TRB36	155
76099	QMTPSBK	67	76254	HV-48S	70	76399	HOBK	67	76489	TRB42	45
76099	QMTPSBK	74	76255	HV-48M	70	76399	HOBK	74	76489	TRB42	155
76101	HV-18SS	70	76256	HV-48L	70	76403	EST-P	19	76490	TRB48	45
76102	HV-24SS	70	76257	HV-48LL	70	76404	EST-S	19	76490	TRB48	155
76103	HV-30SS	70	76258	HV-54M	70	76405	EST-B	19	76491	TRB54	45
76104	HV-36SS	70	76259	HV-54L	70	76406	ESTAK-EST	19	76491	TRB54	155
76105	HV-42SS	70	76260	HV-54LL	70	76406	ESTAK-EST	122	76492	TRB60	45
76106	HV-48SS	70	76261	HV-60M	70	76407	ESPSBK	19	76492	TRB60	155
76107	HV-54S	70	76262	HV-60L	70	76408	ESPBK	19	76493	TRB66	45
76108	HV-60S	70	76263	HV-60LL	70	76409	ESPRK	19	76493	TRB66	155
76109	HV-72S	70	76264	HV-72M	70	76410	ESBK-PS	19	76494	TRB72	45
76110	H78P18	74	76265	HV-72L	70	76410	ESBK-PS	122	76494	TRB72	155
76111	H78P24	74	76266	HV-72LL	70	76411	ESBK-B	19	76537	MMPK	34
76112	H78P30	74	76267	HVP-18M	72	76412	ESS-S	19	76537	MMPK	41
76113	H78P36	74	76268	HVP-18L	72	76412	ESS-S	122	76537	MMPK	49
76114	H78P42	74	76269	HVP-24M	72	76413	ESS-B	19	76537	MMPK	56
76115	H78P48	74	76270	HVP-24L	72	76414	RMC1-BCP	226	76537	MMPK	138
76116	H78P54	74	76271	HVP-30M	72	76415	RMC1-BPP	226	76538	RMC1-LSBPP	226
76117	H78P60	74	76272	HVP-30L	72	76415	RMC1-BPP	228	76540	QMTBK-G	39
76118	H78P72	74	76273	HVP-36M	72	76416	VAK	168	76540	QMTBK-G	40
76124	HVP-18S	72	76274	HVP-36L	72	76418	EZP10TK1	19	76540	QMTBK-G	47
76125	HVP-24S	72	76275	HVP-42M	72	76419	EZP10TK2	19	76540	QMTBK-G	48
76126	HVP-30S	72	76276	HVP-42L	72	76450	MMP-624	41	76551	MMP-1230	41
76127	HVP-36S	72	76277	HVP-48M	72	76451	MMP-630	41	76552	MMP-1236	41
76128	HVP-42S	72	76278	HVP-48L	72	76452	MMP-636	41	76553	MMP-1242	41
76129	HVP-48S	72	76279	HVP-48LL	72	76453	MMP-642	41	76554	MMP-1248	41
76130	HVP-54S	72	76280	HVP-54M	72	76454	MMP-648	41	76555	MMP-1254	41
76131	HVP-60S	72	76281	HVP-54L	72	76455	MMP-654	41	76556	MMP-1260	41
76132	HVP-72S	72	76282	HVP-54LL	72	76456	MMP-660	41	76557	MMP-1272	41
76138	HXF2-18SS	68	76283	HVP-60M	72	76457	MMP-672	41	76558	RMC2-FS-1	228
76139	HXF2-24SS	68	76284	HVP-60L	72	76458	MMPCP24	47	76559	RMC2-FSAPK	228

INDEX By Item Code

Item Code	Ordering Number	Page #	Item Code	Ordering Number	Page #	Item Code	Ordering Number	Page #	Item Code	Ordering Number	Page #
76560	PFC-SS	107	76637	SSTBK-B	134	76752	URCB42/1050	120	76832	DRXL-24-435	190
76570	RB6SA	161	76638	MHCP-2BC24	60	76753	URCB48/1200	120	76833	DRXL-30-435	190
76571	RB6DH	162	76639	MHCP-2BC30	60	76754	URCB54/1350	120	76834	DRXL-36-435	190
76572	RBAGSCM-16	157	76640	MHCP-2BC36	60	76755	URCB60/1500	120	76835	DRXL-42-435	190
76573	RBAGSCM-22	157	76641	MHCP-2BC42	60	76756	URCB72/1800	120	76836	DRXL-48-435	190
76574	RBAGSCM-28	157	76642	MHCP-2BC48	60	76757	URCB84/2100	120	76837	DRXL-54-435	190
76575	RBAGSCM-34	157	76643	MHCP-2BC54	60	76772	USP18/450	122	76838	DRXL-60-435	190
76576	RBAGSCM-40	157	76644	MHCP-2BC60	60	76773	USP24/600	122	76839	DRXL-72-435	190
76577	RBAGSCM-46	157	76645	MHCP-2BC72	60	76774	USP30/750	122	76840	DRXL-24-535	190
76578	RBAGSCM-52	157	76646	MHS-18RV	101	76775	USP36/900	122	76841	DRXL-30-535	190
76579	RBAGSCM-58	157	76647	MHS-24RV	101	76776	USP42/1050	122	76842	DRXL-36-535	190
76581	RBAGSCM-70	157	76648	MHS-30RV	101	76777	USP48/1200	122	76843	DRXL-42-535	190
76593	CRB-HT10	16	76649	MHS-36RV	101	76778	USP54/1350	122	76844	DRXL-48-535	190
76593	CRB-HT10	22	76650	MHS-42RV	101	76779	USP60/1500	122	76845	DRXL-54-535	190
76593	CRB-HT10	37	76651	MHS-48RV	101	76780	USP72/1800	122	76846	DRXL-60-535	190
76594	CRB-HT16	16	76652	MHS-54RV	101	76781	USP84/2100	122	76847	DRXL-72-535	190
76594	CRB-HT16	22	76653	MHS-60RV	101	76784	UPS BK	122	76848	DRXM-24-420	192
76594	CRB-HT16	37	76654	MHS-72RV	101	76788	ABU	122	76849	DRXM-30-420	192
76595	CRB-HT22	16	76655	RBAER-44	160	76788	ABU	122	76850	DRXM-36-420	192
76595	CRB-HT22	22	76658	HTF212	13	76789	UMBK	122	76851	DRXM-42-420	192
76595	CRB-HT22	37	76659	HTF218	13	76789	UMBK	122	76852	DRXM-48-420	192
76596	CRB-HT28	16	76660	HTF224	13	76790	USPK	122	76853	DRXM-54-420	192
76596	CRB-HT28	22	76661	HTF230	13	76790	USPK	122	76854	DRXM-60-420	192
76596	CRB-HT28	37	76662	HTF236	13	76791	UHSPK	122	76855	DRXM-72-420	192
76597	CRB-HT34	16	76663	HTF242	13	76791	UHSPK	122	76856	DRXM-24-520	192
76597	CRB-HT34	22	76664	HTF248	13	76792	USMK	122	76857	DRXM-30-520	192
76597	CRB-HT34	37	76665	HTF254	13	76792	USMK	122	76858	DRXM-36-520	192
76598	CRB-HT40	16	76666	HTF260	13	76793	UHMK	122	76859	DRXM-42-520	192
76598	CRB-HT40	22	76667	HTF272	13	76793	UHMK	122	76860	DRXM-48-520	192
76598	CRB-HT40	37	76668	CBC18	130	76794	UST-P	122	76861	DRXM-54-520	192
76599	CRB-HT46	16	76669	CBC24	130	76795	UST-W	122	76862	DRXM-60-520	192
76599	CRB-HT46	22	76670	CBC30	130	76796	MSP-284	34	76863	DRXM-72-520	192
76599	CRB-HT46	37	76671	CBC36	130	76797	MSP-884	34	76864	DRXM-24-435	192
76600	CRB-HT52	16	76672	CBC42	130	76798	MMP-684	41	76865	DRXM-30-435	192
76600	CRB-HT52	22	76673	CBC48	130	76799	MMP-1284	41	76866	DRXM-36-435	192
76600	CRB-HT52	37	76674	CBC54	130	76800	MHCP-84S	56	76867	DRXM-42-435	192
76601	CRB-HT58	16	76675	CBC60	130	76803	MHS-84	99	76868	DRXM-48-435	192
76601	CRB-HT58	22	76692	CPB	130	76804	MHS-84V	99	76869	DRXM-54-435	192
76601	CRB-HT58	37	76695	MSPP66	126	76805	MHS-84RV	101	76870	DRXM-60-435	192
76602	CRB-HT64	16	76697	TRB78	45	76806	MDWS-84	123	76871	DRXM-72-435	192
76602	CRB-HT64	22	76697	TRB78	155	76807	MSPP84	39	76872	DRXM-24-535	192
76602	CRB-HT64	37	76712	UTC18	120	76808	MMPCP84	47	76873	DRXM-30-535	192
76603	CRB-HT70	16	76713	UTC24	120	76808	MMPCP84	55	76874	DRXM-36-535	192
76603	CRB-HT70	22	76714	UTC30	120	76809	MHCP-BPA84	58	76875	DRXM-42-535	192
76603	CRB-HT70	37	76715	UTC36	120	76810	MHCP-BCK84	58	76876	DRXM-48-535	192
76613	MHS-24R	101	76716	UTC42	120	76811	MHP-CP84	60	76877	DRXM-54-535	192
76614	MHS-30R	101	76717	UTC48	120	76812	MHCP-2BC84	60	76878	DRXM-60-535	192
76615	MHS-36R	101	76718	UTC54	120	76814	MHSP-84	105	76879	DRXM-72-535	192
76616	MHS-42R	101	76719	UTC60	120	76815	DWP-84	126	76880	DRXH-24-420	194
76617	MHS-48R	101	76720	UTC72	120	76816	DRXL-24-420	190	76881	DRXH-30-420	194
76618	MHS-54R	101	76721	UTC84	120	76817	DRXL-30-420	190	76882	DRXH-36-420	194
76619	MHS-60R	101	76724	UTF18	120	76818	DRXL-36-420	190	76883	DRXH-42-420	194
76620	MHS-72R	101	76725	UTF24	120	76819	DRXL-42-420	190	76884	DRXH-48-420	194
76621	MHS-84R	101	76726	UTF30	120	76820	DRXL-48-420	190	76885	DRXH-54-420	194
76622	PFRS	101	76727	UTF36	120	76821	DRXL-54-420	190	76886	DRXH-60-420	194
76622	PFRS	105	76728	UTF42	120	76822	DRXL-60-420	190	76887	DRXH-72-420	194
76622	PFRS	107	76729	UTF48	120	76823	DRXL-72-420	190	76888	DRXH-24-520	194
76622	PFRS	116	76730	UTF54	120	76824	DRXL-24-520	190	76889	DRXH-30-520	194
76636	SSTBK-W	105	76731	UTF60	120	76825	DRXL-30-520	190	76890	DRXH-36-520	194
76636	SSTBK-W	107	76732	UTF72	120	76826	DRXL-36-520	190	76891	DRXH-42-520	194
76636	SSTBK-W	126	76733	UTF84	120	76827	DRXL-42-520	190	76892	DRXH-48-520	194
76636	SSTBK-W	134	76748	URCB18/450	120	76828	DRXL-48-520	190	76893	DRXH-54-520	194
76637	SSTBK-B	105	76749	URCB24/600	120	76829	DRXL-54-520	190	76894	DRXH-60-520	194
76637	SSTBK-B	107	76750	URCB30/750	120	76830	DRXL-60-520	190	76895	DRXH-72-520	194
76637	SSTBK-B	126	76751	URCB36/900	120	76831	DRXL-72-520	190	76896	DRXH-24-435	194

INDEX By Item Code

Item Code	Ordering Number	Page #	Item Code	Ordering Number	Page #	Item Code	Ordering Number	Page #	Item Code	Ordering Number	Page #
76897	DRXH-30-435	194	76937	IEA-42-60	196	77092	CRB-LS34	27	77141	EZP-LS848	25
76898	DRXH-36-435	194	76937	IEA-42-60	198	77092	CRB-LS34	31	77142	EZP-LS854	25
76899	DRXH-42-435	194	76938	IEA-72-96	196	77093	CRB-LS40	27	77143	EZP-LS860	25
76900	DRXH-48-435	194	76938	IEA-72-96	198	77093	CRB-LS40	31	77144	CLSFG-212	30
76901	DRXH-54-435	194	76939	HW-IMPB	200	77094	CRB-LS46	27	77145	CLSFG-218	30
76902	DRXH-60-435	194	76940	CRB76	16	77094	CRB-LS46	31	77146	CLSFG-224	30
76903	DRXH-72-435	194	76940	CRB76	22	77095	CRB-LS52	27	77147	CLSFG-230	30
76904	DRXH-24-535	194	76940	CRB76	37	77095	CRB-LS52	31	77148	CLSFG-236	30
76905	DRXH-30-535	194	76941	CRB82	16	77096	CRB-LS58	27	77149	CLSFG-242	30
76906	DRXH-36-535	194	76941	CRB82	22	77096	CRB-LS58	31	77150	CLSFG-248	30
76907	DRXH-42-535	194	76941	CRB82	37	77097	CRB-LS10W	27	77151	CLSFG-254	30
76908	DRXH-48-535	194	76942	CDWB84	123	77097	CRB-LS10W	31	77152	CLSFG-260	30
76909	DRXH-54-535	194	76943	SST-BUK	105	77098	CRB-LS16W	27	77153	CLSFG-818	30
76910	DRXH-60-535	194	76943	SST-BUK	126	77098	CRB-LS16W	31	77154	CLSFG-824	30
76911	DRXH-72-535	194	76950	OIBBK	200	77099	CRB-LS22W	27	77155	CLSFG-830	30
76912	DRXD-42-520	196	76965	IB4-1U	200	77099	CRB-LS22W	31	77156	CLSFG-836	30
76913	DRXD-48-520	196	76966	IB5-1U	200	77100	CRB-LS28W	27	77157	CLSFG-842	30
76914	DRXD-54-520	196	76967	RBAGS-18	156	77100	CRB-LS28W	31	77158	CLSFG-848	30
76915	DRXD-60-520	196	76968	RBAGS-24	156	77101	CRB-LS34W	27	77159	CLSFG-854	30
76916	DRXD-72-520	196	76969	RBAGS-30	156	77101	CRB-LS34W	31	77160	CLSFG-860	30
76917	DRXD-84-520	196	76970	RBAGS-36	156	77102	CRB-LS40W	27	77250	FL-PKIT-ML	230
76918	DRXD-96-520	196	76971	RBAGS-42	156	77102	CRB-LS40W	31	77251	FL-PKIT-XL	230
76919	DRXD-42-535	196	76972	RBAGS-48	156	77103	CRB-LS46W	27	77324	MMKU	122
76920	DRXD-48-535	196	76973	RBAGS-54	156	77103	CRB-LS46W	31	77327	MMKUHD	122
76921	DRXD-54-535	196	76974	RBAGS-60	156	77104	CRB-LS52W	27	77330	RMC2-FS-50	228
76922	DRXD-60-535	196	76975	RBAGS-72	156	77104	CRB-LS52W	31	77365	LS-SPK	29
76923	DRXD-72-535	196	76976	RBAGS-84	156	77105	CRB-LS58W	27	77366	LSTMPK	29
76924	DRXD-84-535	196	76977	UBTK	122	77105	CRB-LS58W	31	77367	LSTPB-RK	29
76925	DRXD-96-535	196	76978	UHDBTK	122	77106	RBAGM-16	29	77384	EZPTBT	20
76926	IB4	176	76981	FL-M-SP	229	77106	RBAGM-16	156	77385	EZPTBTHD	20
76926	IB4	179	76982	FL-L-SP	229	77107	RBAGM-22	29	77386	FL-XL-SP	229
76926	IB4	182	76986	FLELK-XL	230	77107	RBAGM-22	156	77387	SPG-CVR-A	139
76926	IB4	190	77037	CSTBK	119	77108	RBAGM-28	29	77388	SPG-CVR-B	139
76926	IB4	192	77047	TRB84	45	77108	RBAGM-28	156	77389	SPG-CVR-C	139
76926	IB4	194	77047	TRB84	155	77109	RBAGM-34	29	77390	SPG-CVR-D	139
76927	IB5	176	77048	TRB90	45	77109	RBAGM-34	156	77391	SPG-CVR-E	139
76927	IB5	179	77048	TRB90	155	77110	RBAGM-40	29	77392	SPG-CVR-F	139
76927	IB5	182	77052	SACSK	119	77110	RBAGM-40	156	77393	SPG-CVR-G	139
76927	IB5	190	77065	SACSRC	119	77111	RBAGM-46	29	77405	FLRLB-M-SP	230
76927	IB5	192	77070	LSP12	29	77111	RBAGM-46	156	77406	FLRLB-L-SP	230
76927	IB5	194	77071	LSP18	29	77114	LS-BP	29	77407	FLVRL-XL-SP	230
76927	IB5	196	77072	LSP24	29	77115	LS-BP-S/S	33	77408	FTW-M-SP	230
76927	IB5	198	77073	LSP30	29	77117	LS-SW	29	77409	FTW-L-SP	230
76928	IBBK	173	77074	LSP36	29	77118	LS-SS	29	77410	FTW-XL-SP	230
76928	IBBK	176	77075	LSP42	29	77120	LST-TAK	29	77423	RAPEK	138
76928	IBBK	179	77076	LSP48	29	77121	LST-P	29	77424	MMP-624-S/S	42
76928	IBBK	182	77077	LSP54	29	77122	LST-W	29	77425	MMP-630-S/S	42
76928	IBBK	190	77078	LSP60	29	77123	LST-S	29	77426	MMP-636-S/S	42
76928	IBBK	192	77079	LSP12-S/S	33	77124	LST-B-S/S	33	77427	MMP-642-S/S	42
76928	IBBK	194	77080	LSP18-S/S	33	77125	LST-W-S/S	33	77428	MMP-648-S/S	42
76928	IBBK	196	77081	LSP24-S/S	33	77126	LST-W-S/S-2	33	77429	MMP-654-S/S	42
76928	IBBK	198	77082	LSP30-S/S	33	77127	EZP-LS212	25	77430	MMP-660-S/S	42
76929	IBS-L4	190	77083	LSP36-S/S	33	77128	EZP-LS218	25	77431	MMP-672-S/S	42
76930	IBS-L5	190	77084	LSP42-S/S	33	77129	EZP-LS224	25	77432	MMP-684-S/S	42
76931	IBS-M4	182	77085	LSP48-S/S	33	77130	EZP-LS230	25	77433	MMP-1230-S/S	42
76931	IBS-M4	192	77086	LSP54-S/S	33	77131	EZP-LS236	25	77434	MMP-1236-S/S	42
76932	IBS-M5	182	77087	LSP60-S/S	33	77132	EZP-LS242	25	77435	MMP-1242-S/S	42
76932	IBS-M5	192	77088	CRB-LS10	27	77133	EZP-LS248	25	77436	MMP-1248-S/S	42
76933	IBS-H4	194	77088	CRB-LS10	31	77134	EZP-LS254	25	77437	MMP-1254-S/S	42
76934	IBS-H5	194	77089	CRB-LS16	27	77135	EZP-LS260	25	77438	MMP-1260-S/S	42
76935	ISABK	196	77089	CRB-LS16	31	77136	EZP-LS818	25	77439	MMP-1272-S/S	42
76935	ISABK	198	77090	CRB-LS22	27	77137	EZP-LS824	25	77440	MMP-1284-S/S	42
76936	IMK	190	77090	CRB-LS22	31	77138	EZP-LS830	25	77442	PSTA-S/S	40
76936	IMK	192	77091	CRB-LS28	27	77139	EZP-LS836	25	77442	PSTA-S/S	48
76936	IMK	194	77091	CRB-LS28	31	77140	EZP-LS842	25	77443	TEN-LOCK-KIT	139

INDEX By Item Code

Item Code	Ordering Number	Page #	Item Code	Ordering Number	Page #	Item Code	Ordering Number	Page #	Item Code	Ordering Number	Page #
77450	QMTS-P-S/S	24	77552	CRB-LS16HT	31	77621	MHSP30-S/S	107	77688	PTS-RR69	209
77450	QMTS-P-S/S	40	77553	CRB-LS22HT	27	77622	MHSP36-S/S	107	77689	PTS-RR75	209
77450	QMTS-P-S/S	48	77553	CRB-LS22HT	31	77623	MHSP42-S/S	107	77690	PTS-RR81	209
77451	QMTS-W-S/S	24	77554	CRB-LS28HT	27	77624	MHSP48-S/S	107	77691	PTS-SR	211
77451	QMTS-W-S/S	40	77554	CRB-LS28HT	31	77625	MHSP54-S/S	107	77692	PTS-HDSR	211
77451	QMTS-W-S/S	48	77555	CRB-LS34HT	27	77626	MHSP60-S/S	107	77694	PTS-SAK	211
77452	QMTS-G-S/S	24	77555	CRB-LS34HT	31	77627	MHSP72-S/S	107	77696	PTS-IBK	211
77452	QMTS-G-S/S	40	77556	CRB-LS40HT	27	77628	MHSP84-S/S	107	77697	PTS-HIBK	211
77452	QMTS-G-S/S	48	77556	CRB-LS40HT	31	77630	STS-W-S/S	107	77698	PTS-PS	211
77453	MSP-224-S/S	36	77557	CRB-LS46HT	27	77631	STS-S-S/S	107	77699	PTS-PA	211
77454	MSP-230-S/S	36	77557	CRB-LS46HT	31	77632	STS-B-S/S	107	77700	PTS-MBK	211
77455	MSP-236-S/S	36	77558	CRB-LS52HT	27	77633	STHDPM2-S/S	107	77701	PTS-MBKUG	211
77456	MSP-242-S/S	36	77558	CRB-LS52HT	31	77634	STHDMK2-S/S	107	77702	PTS-EBK	211
77457	MSP-248-S/S	36	77559	CRB-LS58HT	27	77635	STGK2-S/S	107	77703	MHP-624	49
77458	MSP-254-S/S	36	77559	CRB-LS58HT	31	77636	SST-BUK-S/S	107	77704	MHP-630	49
77459	MSP-260-S/S	36	77575	MMP-1836	41	77637	SST2HD-W-S/S	107	77705	MHP-636	49
77460	MSP-272-S/S	36	77576	MMP-1842	41	77638	SST2HD-S-S/S	107	77706	MHP-642	49
77461	MSP-284-S/S	36	77577	MMP-1848	41	77639	SST2HD-B-S/S	107	77707	MHP-648	49
77462	MSP-824-S/S	36	77578	MMP-1854	41	77640	MHS-24R-S/S	103	77708	MHP-654	49
77463	MSP-830-S/S	36	77579	MMP-1860	41	77641	MHS-30R-S/S	103	77709	MHP-660	49
77464	MSP-836-S/S	36	77580	MMP-1872	41	77642	MHS-36R-S/S	103	77710	MHP-672	49
77465	MSP-842-S/S	36	77581	MMP-1884	41	77643	MHS-42R-S/S	103	77711	MHP-684	49
77466	MSP-848-S/S	36	77582	MSPMPK-S/S	40	77644	MHS-48R-S/S	103	77712	MHP-696	49
77467	MSP-854-S/S	36	77582	MSPMPK-S/S	48	77645	MHS-54R-S/S	103	77713	MHP-1230	49
77468	MSP-860-S/S	36	77583	MSPBPK-S/S	24	77646	MHS-60R-S/S	103	77714	MHP-1236	49
77470	MSP-872-S/S	36	77584	QMT-P-S/S	40	77647	MHS-72R-S/S	103	77715	MHP-1242	49
77471	MSP-884-S/S	36	77584	QMT-P-S/S	48	77648	MHS-84R-S/S	103	77716	MHP-1248	49
77472	MSPP24-S/S	40	77585	QMT-W-S/S	40	77649	MHS-24RV-S/S	103	77717	MHP-1254	49
77473	MSPP30-S/S	40	77585	QMT-W-S/S	48	77650	MHS-30RV-S/S	103	77718	MHP-1260	49
77474	MSPP36-S/S	40	77586	QMT-G-S/S	40	77651	MHS-36RV-S/S	103	77719	MHP-1272	49
77475	MSPP42-S/S	40	77586	QMT-G-S/S	48	77652	MHS-42RV-S/S	103	77720	MHP-1284	49
77476	MSPP48-S/S	40	77587	QMTPAK-S/S	40	77653	MHS-48RV-S/S	103	77721	MHP-1296	49
77477	MSPP54-S/S	40	77587	QMTPAK-S/S	48	77654	MHS-54RV-S/S	103	77722	MMPCP96	47
77478	MSPP60-S/S	40	77588	QMTPSBK-S/S	40	77655	MHS-60RV-S/S	103	77722	MMPCP96	55
77479	MSPP72-S/S	40	77588	QMTPSBK-S/S	48	77656	MHS-72RV-S/S	103	77723	PST2-W	55
77480	MSPP84-S/S	40	77590	MMPCP24-S/S	48	77657	MHS-84RV-S/S	103	77723	PST2-W	58
77517	RBDTXHD-6.5C	164	77591	MMPCP30-S/S	48	77664	PTS-18R	209	77723	PST2-W	60
77524	MSPLL-S/S	40	77592	MMPCP36-S/S	48	77665	PTS-24R	209	77724	PST2-S	55
77529	ISABK-LMH	190	77593	MMPCP42-S/S	48	77666	PTS-30R	209	77724	PST2-S	58
77529	ISABK-LMH	192	77594	MMPCP48-S/S	48	77667	PTS-36R	209	77724	PST2-S	60
77529	ISABK-LMH	194	77595	MMPCP54-S/S	48	77668	PTS-42R	209	77725	PST2-R	55
77530	IBS-D5	196	77596	MMPCP60-S/S	48	77669	PTS-48R	209	77725	PST2-R	58
77531	MRB18	52	77597	MMPCP72-S/S	48	77670	PTS-54R	209	77725	PST2-R	60
77532	MRB24	52	77598	MMPCP84-S/S	48	77671	PTS-60R	209	77726	PSTS-R	55
77533	MRB30	52	77599	MHP-EP-S/S	48	77672	PTS-72R	209	77726	PSTS-R	60
77534	MRB36	52	77600	MMPBPK-S/S	48	77673	PTS-30R-UG	209	77727	MHPMPK	55
77535	MRB42	52	77601	MHS-24-S/S	103	77674	PTS-36R-UG	209	77727	MHPMPK	60
77536	MRB48	52	77602	MHS-30-S/S	103	77675	PTS-42R-UG	209	77728	MHPBPK	55
77537	MRB54	52	77603	MHS-36-S/S	103	77676	PTS-48R-UG	209	77729	FLCK	229
77538	MRB60	52	77604	MHS-42-S/S	103	77677	PTS-54R-UG	209	77741	SPG-CVR-H	139
77539	MRB66	52	77605	MHS-48-S/S	103	77678	PTS-60R-UG	209	77742	CTS-W	119
77540	MRB72	52	77606	MHS-54-S/S	103	77679	PTS-72R-UG	209	77743	CTS-S	83
77541	MRB78	52	77607	MHS-60-S/S	103	77680	PTS-RR21	209	77743	CTS-S	97
77542	MRB84	52	77608	MHS-72-S/S	103	77681	PTS-RR27	209	77743	CTS-S	119
77543	MRB90	52	77609	MHS-84-S/S	103	77682	PTS-RR33	209	77744	CTS-B	119
77548	SHIM-KITL	173	77610	MHS-24V-S/S	103	77683	PTS-RR39	209	77745	CTS-G	119
77548	SHIM-KITL	176	77611	MHS-30V-S/S	103	77683	PTS-RR39	209	77746	EZP-LS212HT	26
77548	SHIM-KITL	179	77612	MHS-36V-S/S	103	77684	PTS-RR45	209	77747	EZP-LS218HT	26
77548	SHIM-KITL	190	77613	MHS-42V-S/S	103	77684	PTS-RR45	209	77748	EZP-LS224HT	26
77549	SHIM-KITM	182	77614	MHS-48V-S/S	103	77685	PTS-RR51	209	77749	EZP-LS230HT	26
77549	SHIM-KITM	192	77615	MHS-54V-S/S	103	77685	PTS-RR51	209	77750	EZP-LS236HT	26
77550	SHIM-KITH	194	77616	MHS-60V-S/S	103	77686	PTS-RR57	209	77751	EZP-LS242HT	26
77551	CRB-LS10HT	27	77617	MHS-72V-S/S	103	77686	PTS-RR57	209	77752	EZP-LS248HT	26
77551	CRB-LS10HT	31	77618	MHS-84V-S/S	103	77687	PTS-RR63	209	77753	EZP-LS254HT	26
77552	CRB-LS16HT	27	77620	MHSP24-S/S	107	77687	PTS-RR63	209	77754	EZP-LS260HT	26

INDEX By Item Code

Item Code	Ordering Number	Page #	Item Code	Ordering Number	Page #	Item Code	Ordering Number	Page #	Item Code	Ordering Number	Page #
77755	PTS-RHSAA	211	77887	SACPL-24/600	111	77908	CART2-60/1500	119	77965	PC84-2ESAC	108
77756	PTS-LHSAA	211	77887	SACPL-24/600	115	77909	CART2-72/1800	111	77966	PC96-2ESAC	108
77757	UST-S	122	77887	SACPL-24/600	119	77909	CART2-72/1800	115	77967	PC120-2ESAC	108
77768	SACHP2	111	77888	SACPL-30/750	111	77909	CART2-72/1800	119	77968	RC24-ESAC	112
77768	SACHP2	115	77888	SACPL-30/750	115	77910	CART2-84/2100	111	77969	RC30-ESAC	112
77768	SACHP2	119	77888	SACPL-30/750	119	77910	CART2-84/2100	115	77970	RC36-ESAC	112
77840	MHS-24-ESAC	116	77889	SACPL-36/900	111	77910	CART2-84/2100	119	77971	RC42-ESAC	112
77841	MHS-30-ESAC	116	77889	SACPL-36/900	115	77911	CART2-96/2400	111	77972	RC48-ESAC	112
77842	MHS-36-ESAC	116	77889	SACPL-36/900	119	77911	CART2-96/2400	115	77973	RC54-ESAC	112
77843	MHS-42-ESAC	116	77890	SACPL-42/1050	111	77911	CART2-96/2400	119	77974	RC60-ESAC	112
77844	MHS-48-ESAC	116	77890	SACPL-42/1050	115	77912	CART2-120/3000	111	77975	RC72-ESAC	112
77845	MHS-54-ESAC	116	77890	SACPL-42/1050	119	77912	CART2-120/3000	115	77976	RC60-2ESAC	112
77846	MHS-60-ESAC	116	77891	SACPL-48/1200	111	77912	CART2-120/3000	119	77977	RC72-2ESAC	112
77847	MHS-72-ESAC	116	77891	SACPL-48/1200	115	77913	PCAP-24/600	111	77978	RC84-2ESAC	112
77848	MHS-60-2ESAC	116	77891	SACPL-48/1200	119	77914	PCAP-30/750	111	77979	RC96-2ESAC	112
77849	MHS-72-2ESAC	116	77892	SACPL-54/1350	111	77915	PCAP-36/900	111	77980	RC120-2ESAC	112
77850	MHS-84-2ESAC	116	77892	SACPL-54/1350	115	77916	PCAP-42/1050	111	77981	PV24-ESAC	108
77851	MHS-96-2ESAC	116	77892	SACPL-54/1350	119	77917	PCAP-48/1200	111	77982	PV30-ESAC	108
77852	MHS-120-2ESAC	116	77893	SACPL-60/1500	111	77918	PCAP-54/1350	111	77983	PV36-ESAC	108
77853	MHS-24V-ESAC	116	77893	SACPL-60/1500	115	77919	PCAP-60/1500	111	77984	PV42-ESAC	108
77854	MHS-30V-ESAC	116	77893	SACPL-60/1500	119	77920	PCAP-72/1800	111	77985	PV48-ESAC	108
77855	MHS-36V-ESAC	116	77894	SACPL-72/1800	111	77921	RCAP-24/600	115	77986	PV54-ESAC	108
77856	MHS-42V-ESAC	116	77894	SACPL-72/1800	115	77922	RCAP-30/750	115	77987	PV60-ESAC	108
77857	MHS-48V-ESAC	116	77894	SACPL-72/1800	119	77923	RCAP-36/900	115	77988	PV72-ESAC	108
77858	MHS-54V-ESAC	116	77895	SACPL2-60/1500	111	77924	RCAP-42/1050	115	77989	PV60-2ESAC	108
77859	MHS-60V-ESAC	116	77895	SACPL2-60/1500	115	77925	RCAP-48/1200	115	77990	PV72-2ESAC	108
77860	MHS-72V-ESAC	116	77895	SACPL2-60/1500	119	77926	RCAP-54/1350	115	77991	PV84-2ESAC	108
77861	MHS-60V-2ESAC	116	77896	SACPL2-72/1800	111	77927	RCAP-60/1500	115	77992	PV96-2ESAC	108
77862	MHS-72V-2ESAC	116	77896	SACPL2-72/1800	115	77928	RCAP-72/1800	115	77993	PV120-2ESAC	108
77863	MHS-84V-2ESAC	116	77896	SACPL2-72/1800	119	77929	MHS-CARK-C24/600	117	77994	RV24-ESAC	112
77864	MHS-96V-2ESAC	116	77897	SACPL2-84/2100	111	77930	MHS-CARK-C30/750	117	77995	RV30-ESAC	112
77865	MHS-120V-2ESAC	116	77897	SACPL2-84/2100	115	77931	MHS-CARK-C36/900	117	77996	RV36-ESAC	112
77866	SAC2-TIP-TL	111	77897	SACPL2-84/2100	119	77932	MHS-CARK-C42/1050	117	77997	RV42-ESAC	112
77866	SAC2-TIP-TL	115	77898	SACPL2-96/2400	111	77933	MHS-CARK-C48/1200	117	77998	RV48-ESAC	112
77866	SAC2-TIP-TL	119	77898	SACPL2-96/2400	115	77934	MHS-CARK-C54/1350	117	77999	RV54-ESAC	112
77867	STGK2	105	77898	SACPL2-96/2400	119	77935	MHS-CARK-C60/1500	117	78000	RV60-ESAC	112
77867	STGK2	106	77899	SACPL2-120/3000	111	77936	MHS-CARK-C72/1800	117	78001	RV72-ESAC	112
77867	STGK2	126	77899	SACPL2-120/3000	115	77937	MHS-CARK-V24/600	117	78002	RV60-2ESAC	112
77867	STGK2	126	77899	SACPL2-120/3000	119	77938	MHS-CARK-V30/750	117	78003	RV72-2ESAC	112
77867	STGK2	134	77900	CART-24/600	111	77939	MHS-CARK-V36/900	117	78004	RV84-2ESAC	112
77867	STGK2	134	77900	CART-24/600	115	77940	MHS-CARK-V42/1050	117	78005	RV96-2ESAC	112
77868	SSTHDPM	105	77900	CART-24/600	119	77941	MHS-CARK-V48/1200	117	78006	RV120-2ESAC	112
77868	SSTHDPM	126	77901	CART-30/750	111	77942	MHS-CARK-V54/1350	117	78072	P-CARK-C24/600	109
77868	SSTHDPM	134	77901	CART-30/750	115	77943	MHS-CARK-V60/1500	117	78073	P-CARK-C30/750	109
77869	CSTHDPM	119	77901	CART-30/750	119	77944	MHS-CARK-V72/1800	117	78074	P-CARK-C36/900	109
77871	CSTHDMK	119	77902	CART-36/900	111	77945	MHS-CARK2-C60/1500	117	78075	P-CARK-C42/1050	109
77872	CST1HD-W	119	77902	CART-36/900	115	77946	MHS-CARK2-C72/1800	117	78076	P-CARK-C48/1200	109
77873	CST1HD-S	119	77902	CART-36/900	119	77947	MHS-CARK2-C84/2100	117	78077	P-CARK-C54/1350	109
77874	CST1HD-B	119	77903	CART-42/1050	111	77948	MHS-CARK2-C96/2400	117	78078	P-CARK-C60/1500	109
77875	CST1HD-G	119	77903	CART-42/1050	115	77949	MHS-CARK2-C120/3000	117	78079	P-CARK-C72/1800	109
77882	SACRKN	111	77903	CART-42/1050	119	77950	MHS-CARK2-V60/1500	117	78080	P-CARK-V24/600	109
77882	SACRKN	115	77904	CART-48/1200	111	77951	MHS-CARK2-V72/1800	117	78081	P-CARK-V30/750	109
77882	SACRKN	119	77904	CART-48/1200	115	77952	MHS-CARK2-V84/2100	117	78082	P-CARK-V36/900	109
77883	SACRH	111	77904	CART-48/1200	119	77953	MHS-CARK2-V96/2400	117	78083	P-CARK-V42/1050	109
77883	SACRH	115	77905	CART-54/1350	111	77954	MHS-CARK2-V120/3000	117	78084	P-CARK-V48/1200	109
77883	SACRH	119	77905	CART-54/1350	115	77955	PC24-ESAC	108	78085	P-CARK-V54/1350	109
77884	SACRHL	111	77905	CART-54/1350	119	77956	PC30-ESAC	108	78086	P-CARK-V60/1500	109
77884	SACRHL	115	77906	CART-60/1500	111	77957	PC36-ESAC	108	78087	P-CARK-V72/1800	109
77884	SACRHL	119	77906	CART-60/1500	115	77958	PC42-ESAC	108	78088	P-CARK2-C60/1500	109
77885	SACKRP	111	77906	CART-60/1500	119	77959	PC48-ESAC	108	78089	P-CARK2-C72/1800	109
77885	SACKRP	115	77907	CART-72/1800	111	77960	PC54-ESAC	108	78090	P-CARK2-C84/2100	109
77885	SACKRP	119	77907	CART-72/1800	115	77961	PC60-ESAC	108	78091	P-CARK2-C96/2400	109
77886	SACRKT	111	77907	CART-72/1800	119	77962	PC72-ESAC	108	78092	P-CARK2-C120/3000	109
77886	SACRKT	115	77908	CART2-60/1500	111	77963	PC60-2ESAC	108	78093	P-CARK2-V60/1500	109
77886	SACRKT	119	77908	CART2-60/1500	115	77964	PC72-2ESAC	108	78094	P-CARK2-V72/1800	109

INDEX By Item Code

Item Code	Ordering Number	Page #	Item Code	Ordering Number	Page #	Item Code	Ordering Number	Page #	Item Code	Ordering Number	Page #
78095	P-CARK2-V84/2100	109	78462	LSTMPK2-S/S	33	78603	MHP-648P	50	78732	SAT2PM	106
78096	P-CARK2-V96/2400	109	78471	CRB-W10	16	78604	MHP-654P	50	78732	SAT2PM	126
78097	P-CARK2-V120/3000	109	78471	CRB-W10	22	78605	MHP-660P	50	78732	SAT2PM	134
78098	R-CARK-C24/600	113	78471	CRB-W10	37	78606	MHP-672P	50	78733	SAT2AK	105
78099	R-CARK-C30/750	113	78472	CRB-W16	16	78607	MHP-684P	50	78733	SAT2AK	106
78100	R-CARK-C36/900	113	78472	CRB-W16	22	78608	MHP-696P	50	78733	SAT2AK	126
78101	R-CARK-C42/1050	113	78472	CRB-W16	37	78609	MHP-1230P	50	78733	SAT2AK	134
78102	R-CARK-C48/1200	113	78473	CRB-W22	16	78610	MHP-1236P	50	78736	MHS-24P	101
78103	R-CARK-C54/1350	113	78473	CRB-W22	22	78611	MHP-1242P	50	78737	MHS-30P	101
78104	R-CARK-C60/1500	113	78473	CRB-W22	37	78612	MHP-1248P	50	78738	MHS-36P	101
78105	R-CARK-C72/1800	113	78474	CRB-W28	16	78613	MHP-1254P	50	78739	MHS-42P	101
78106	R-CARK-V24/600	113	78474	CRB-W28	22	78614	MHP-1260P	50	78740	MHS-48P	101
78107	R-CARK-V30/750	113	78474	CRB-W28	37	78615	MHP-1272P	50	78741	MHS-54P	101
78108	R-CARK-V36/900	113	78475	CRB-W34	16	78616	MHP-1284P	50	78742	MHS-60P**	101
78109	R-CARK-V42/1050	113	78475	CRB-W34	22	78617	MHP-1296P	50	78743	MHS-72P**	101
78110	R-CARK-V48/1200	113	78475	CRB-W34	37	78618	MHP-1836P	50	78744	MHS-84P**	101
78111	R-CARK-V54/1350	113	78476	CRB-W40	16	78619	MHP-1842P	50	78745	MDWS-24P	123
78112	R-CARK-V60/1500	113	78476	CRB-W40	22	78620	MHP-1848P	50	78746	MDWS-30P	123
78113	R-CARK-V72/1800	113	78476	CRB-W40	37	78621	MHP-1854P	50	78747	MDWS-36P	123
78114	R-CARK2-C60/1500	113	78477	CRB-W46	16	78622	MHP-1860P	50	78748	MDWS-42P	123
78115	R-CARK2-C72/1800	113	78477	CRB-W46	22	78623	MHP-1872P	50	78749	MDWS-48P	123
78116	R-CARK2-C84/2100	113	78477	CRB-W46	37	78624	MHP-1884P	50	78750	MDWS-54P	123
78117	R-CARK2-C96/2400	113	78478	CRB-W52	16	78625	MHP-1896P	50	78751	MDWS-60P	123
78118	R-CARK2-C120/3000	113	78478	CRB-W52	22	78669	MHP-2442	49	78752	MDWS-72P	123
78119	R-CARK2-V60/1500	113	78478	CRB-W52	37	78670	MHP-2448	49	78753	MDWS-84P	123
78120	R-CARK2-V72/1800	113	78479	CRB-W58	16	78671	MHP-2454	49	78754	TRB-HT18	45
78121	R-CARK2-V84/2100	113	78479	CRB-W58	22	78672	MHP-2460	49	78755	TRB-HT24	45
78122	R-CARK2-V96/2400	113	78479	CRB-W58	37	78673	MHP-2472	49	78756	TRB-HT30	45
78123	R-CARK2-V120/3000	113	78488	EZP1T-212	12	78674	MHP-2484	49	78757	TRB-HT36	45
78142	STS-G	105	78489	EZP1T-218	12	78675	MHP-2496	49	78758	TRB-HT42	45
78142	STS-G	126	78490	EZP1T-224	12	78676	MHP-2442P	50	78759	TRB-HT48	45
78142	STS-G	134	78491	EZP1T-230	12	78677	MHP-2448P	50	78760	TRB-HT54	45
78387	CTS-B-S/S	33	78492	EZP1T-236	12	78678	MHP-2454P	50	78761	TRB-HT60	45
78402	RV-18	92	78493	EZP1T-242	12	78679	MHP-2460P	50	78762	TRB-HT66	45
78403	RV-24	92	78494	EZP1T-248	12	78680	MHP-2472P	50	78763	TRB-HT72	45
78404	RV-30	92	78495	EZP1T-254	12	78681	MHP-2484P	50	78764	TRB-HT78	45
78405	RV-36	92	78496	EZP1T-260	12	78682	MHP-2496P	50	78767	PTS-WMK	211
78406	RV-42	92	78497	EZP1T-272	12	78686	MMPCP96-S/S	48	78786	HAR-K	19
78407	RV-48	92	78498	EZP1T-818	12	78700	ICT6-S/S	107	78786	HAR-K	148
78408	RV-54	92	78499	EZP1T-824	12	78706	MMP-624P	43	78789	SB4	173
78409	RV-60	92	78500	EZP1T-830	12	78707	MMP-630P	43	78789	SB4	176
78414	PP-18	91	78501	EZP1T-836	12	78708	MMP-636P	43	78789	SB4	179
78415	PV-24	88	78502	EZP1T-842	12	78709	MMP-642P	43	78789	SB4	182
78416	PP-24	91	78503	EZP1T-848	12	78710	MMP-648P	43	78789	SB4	190
78417	PV-30	88	78504	EZP1T-854	12	78711	MMP-654P	43	78789	SB4	192
78418	PP-30	91	78505	EZP1T-860	12	78712	MMP-660P	43	78789	SB4	194
78419	PV-36	88	78506	EZP1T-872	12	78713	MMP-672P	43	78790	SB5	173
78420	PP-36	91	78507	EZPTMPK	20	78714	MMP-684P	43	78790	SB5	176
78421	PV-42	88	78508	EZPTCK	20	78715	MMP-1230P	43	78790	SB5	179
78422	PP-42	91	78509	EZPTCKHD	20	78716	MMP-1236P	43	78790	SB5	182
78423	PV-48	88	78510	EZPTSR	20	78717	MMP-1242P	43	78790	SB5	190
78424	PP-48	91	78511	EZPTSK	20	78718	MMP-1248P	43	78790	SB5	192
78425	PP-54	91	78512	EZPTSKHD	20	78719	MMP-1254P	43	78790	SB5	194
78426	RP-18	94	78591	MHP-1836	49	78720	MMP-1260P	43	78790	SB5	196
78427	RP-24	94	78592	MHP-1842	49	78721	MMP-1272P	43	78790	SB5	198
78428	RP-30	94	78593	MHP-1848	49	78722	MMP-1284P	43	78794	PATHK	44
78429	RP-36	94	78594	MHP-1854	49	78723	MHCP-24P	56	78794	PATHK	51
78430	RP-42	94	78595	MHP-1860	49	78724	MHCP-30P	56	78794	PATHK	57
78431	RP-48	94	78596	MHP-1872	49	78725	MHCP-36P	56	78794	PATHK	102
78432	RP-54	94	78597	MHP-1884	49	78726	MHCP-42P	56	78794	PATHK	124
78433	RP-60	94	78598	MHP-1896	49	78727	MHCP-48P	56	78794	PATHK	132
78451	PP-60	91	78599	MHP-624P	50	78728	MHCP-54P	56	78801	H-MK2	148
78453	PV-18	88	78600	MHP-630P	50	78729	MHCP-60P	56	78808	EST-P-S/S	24
78454	PV-54	88	78601	MHP-636P	50	78730	MHCP-72P	56	78809	EST-W-S/S	24
78455	PV-60	88	78602	MHP-642P	50	78731	MHCP-84P	56	78810	EST-G-S/S	24

INDEX By Item Code

Item Code	Ordering Number	Page #	Item Code	Ordering Number	Page #	Item Code	Ordering Number	Page #	Item Code	Ordering Number	Page #
78812	EZP1P12-S/S	24	78898	EZIB42-5L	177	78952	EZRMK	173	78983	EZCSK-54	182
78813	EZP1P18-S/S	24	78899	EZIB48-5L	177	78953	EZBS-L4	176	78984	EZCSK-60	173
78814	EZP1P24-S/S	24	78900	EZIB54-5L	177	78953	EZBS-L4	179	78984	EZCSK-60	176
78815	EZP1P30-S/S	24	78901	EZIB60-5L	177	78954	EZBS-L5	176	78984	EZCSK-60	179
78816	EZP1P36-S/S	24	78902	EZIB72-5L	177	78954	EZBS-L5	179	78984	EZCSK-60	182
78817	EZP1P42-S/S	24	78903	EZIB24-4M	180	78955	MHCP-96S	56	78985	EZCSK-72	173
78818	EZP1P48-S/S	24	78904	EZIB30-4M	180	78956	MHCP-BPA96	58	78985	EZCSK-72	176
78819	EZP1P54-S/S	24	78905	EZIB36-4M	180	78957	MHCP-BCK96	58	78985	EZCSK-72	179
78820	EZP1P60-S/S	24	78906	EZIB42-4M	180	78958	MHP-CP96	60	78985	EZCSK-72	182
78821	EZP1P72-S/S	24	78907	EZIB48-4M	180	78959	MHCP-96P	56	78986	MHCP-2BC96	60
78838	CFG-212	21	78908	EZIB54-4M	180	78970	EZWPK-24	173	78987	H-MK1	148
78839	CFG-218	21	78909	EZIB60-4M	180	78970	EZWPK-24	176	78990	HP-18	148
78840	CFG-224	21	78910	EZIB72-4M	180	78970	EZWPK-24	179	78991	HP-24	148
78841	CFG-230	21	78911	EZIB24-5M	180	78970	EZWPK-24	182	78992	HP-30	148
78842	CFG-236	21	78912	EZIB30-5M	180	78971	EZWPK-30	173	78993	HP-36	148
78843	CFG-242	21	78913	EZIB36-5M	180	78971	EZWPK-30	176	78994	HP-42	148
78844	CFG-248	21	78914	EZIB42-5M	180	78971	EZWPK-30	179	78995	HP-48	148
78845	CFG-254	21	78915	EZIB48-5M	180	78971	EZWPK-30	182	78996	HP-54	148
78846	CFG-260	21	78916	EZIB54-5M	180	78972	EZWPK-36	173	78997	HP-60	148
78848	EZP1PL-S/S	24	78917	EZIB60-5M	180	78972	EZWPK-36	176	78998	HP-72	148
78849	ESTAK-EST-S/S	24	78918	EZIB72-5M	180	78972	EZWPK-36	179	79000	EZAI-24	171
78850	LS-SW-S/S	33	78919	CCMK	79	78972	EZWPK-36	182	79001	EZAI-30	171
78855	EZSB24-4C	171	78919	CCMK	91	78973	EZWPK-42	173	79002	EZAI-36	171
78856	EZSB30-4C	171	78919	CCMK	94	78973	EZWPK-42	176	79003	EZAI-42	171
78857	EZSB36-4C	171	78919	CCMK	149	78973	EZWPK-42	179	79004	EZAI-48	171
78858	EZSB42-4C	171	78920	CCMKHD	79	78973	EZWPK-42	182	79005	EZAI-54	171
78859	EZSB48-4C	171	78920	CCMKHD	111	78974	EZWPK-48	173	79006	EZAI-60	171
78860	EZSB54-4C	171	78920	CCMKHD	115	78974	EZWPK-48	176	79007	EZAI-72	171
78861	EZSB60-4C	171	78920	CCMKHD	149	78974	EZWPK-48	179	79009	HDRBK	146
78862	EZSB72-4C	171	78923	EZP1MPK-S/S	24	78974	EZWPK-48	182	79010	HDR24	146
78863	EZSB24-5C	171	78924	CFG-818	21	78975	EZWPK-54	173	79011	HDR30	146
78864	EZSB30-5C	171	78925	CFG-824	21	78975	EZWPK-54	176	79012	HDR36	146
78865	EZSB36-5C	171	78926	CFG-830	21	78975	EZWPK-54	179	79013	HDR42	146
78866	EZSB42-5C	171	78927	CFG-836	21	78975	EZWPK-54	182	79014	HDR48	146
78867	EZSB48-5C	171	78928	CFG-842	21	78976	EZWPK-60	173	79015	HDR54	146
78868	EZSB54-5C	171	78929	CFG-848	21	78976	EZWPK-60	176	79016	HDR60	146
78869	EZSB60-5C	171	78930	CFG-854	21	78976	EZWPK-60	179	79017	HDRS72	146
78870	EZSB72-5C	171	78931	CFG-860	21	78976	EZWPK-60	182	79018	HDRS84	146
78871	EZSB24-4I	174	78933	LSTMPK-S/S	33	78977	EZWPK-72	173	79019	HDRR24	146
78872	EZSB30-4I	174	78934	EZP1-212W	15	78977	EZWPK-72	176	79020	HDRR30	146
78873	EZSB36-4I	174	78935	EZP1-218W	15	78977	EZWPK-72	179	79021	HDRR36	146
78874	EZSB42-4I	174	78936	EZP1-224W	15	78977	EZWPK-72	182	79022	HDRR42	146
78875	EZSB48-4I	174	78937	EZP1-230W	15	78978	EZCSK-24	173	79023	HDRR48	146
78876	EZSB54-4I	174	78938	EZP1-236W	15	78978	EZCSK-24	176	79024	HDRR54	146
78877	EZSB60-4I	174	78939	EZP1-242W	15	78978	EZCSK-24	179	79025	HDRR60	146
78878	EZSB72-4I	174	78940	EZP1-248W	15	78978	EZCSK-24	182	79026	HDRR72	146
78879	EZSB24-5I	174	78941	EZP1-254W	15	78979	EZCSK-30	173	79027	HDRR84	146
78880	EZSB30-5I	174	78942	EZP1-260W	15	78979	EZCSK-30	176	79033	MMP-696	41
78881	EZSB36-5I	174	78943	EZP1-272W	15	78979	EZCSK-30	179	79034	MMP-1296	41
78882	EZSB42-5I	174	78944	EZBMK-24	179	78979	EZCSK-30	182	79035	MMP-696-S/S	42
78883	EZSB48-5I	174	78944	EZBMK-24	182	78980	EZCSK-36	173	79036	MMP-1296-S/S	42
78884	EZSB54-5I	174	78945	EZBMK-30	179	78980	EZCSK-36	176	79037	MMP-696P	43
78885	EZSB60-5I	174	78945	EZBMK-30	182	78980	EZCSK-36	179	79038	MMP-1296P	43
78886	EZSB72-5I	174	78946	EZBMK-36	179	78980	EZCSK-36	182	79039	QMT-S	47
78887	EZIB24-4L	177	78946	EZBMK-36	182	78981	EZCSK-42	173	79039	QMT-S	67
78888	EZIB30-4L	177	78947	EZBMK-42	179	78981	EZCSK-42	176	79039	QMT-S	74
78889	EZIB36-4L	177	78947	EZBMK-42	182	78981	EZCSK-42	179	79040	MMP-1896	41
78890	EZIB42-4L	177	78948	EZBMK-48	179	78981	EZCSK-42	182	79042	SST2HD-G-S/S	107
78891	EZIB48-4L	177	78948	EZBMK-48	182	78982	EZCSK-48	173	79043	MHS-96	99
78892	EZIB54-4L	177	78949	EZBMK-54	179	78982	EZCSK-48	176	79044	MHS-96V	99
78893	EZIB60-4L	177	78949	EZBMK-54	182	78982	EZCSK-48	179	79045	MHS-96R	101
78894	EZIB72-4L	177	78950	EZBMK-60	179	78982	EZCSK-48	182	79046	MHS-96RV	101
78895	EZIB24-5L	177	78950	EZBMK-60	182	78983	EZCSK-54	173	79047	MHS-96P**	101
78896	EZIB30-5L	177	78951	EZBMK-72	179	78983	EZCSK-54	176	79048	MHS-96-S/S	103
78897	EZIB36-5L	177	78951	EZBMK-72	182	78983	EZCSK-54	179	79049	MHS-96V-S/S	103

INDEX By Item Code

Item Code	Ordering Number	Page #	Item Code	Ordering Number	Page #	Item Code	Ordering Number	Page #	Item Code	Ordering Number	Page #
79050	MHS-96R-S/S	103	79232	CCKTS	91	79352	HV2-60L	65	79434	MSTDB	95
79051	MHS-96RV-S/S	103	79232	CCKTS	94	79353	HV2-60LL	65	79434	MSTDB	97
79052	MHSP-96	105	79232	CCKTS	149	79354	HV2-72S	65	79434	MSTDB	100
79053	MHSP96-S/S	107	79233	CCKHDTS	79	79355	HV2-72M	65	79434	MSTDB	106
79056	QMTS-S-S/S	48	79233	CCKHDTS	111	79356	HV2-72L	65	79434	MSTDB	138
79057	STS-G-S/S	107	79233	CCKHDTS	115	79357	HV2-72LL	65	79435	MSTAM	97
79059	QMT-S-S/S	48	79233	CCKHDTS	149	79358	H2P18	67	79435	MSTAM	106
79060	DWP-96	126	79236	HDRGEK	146	79359	H2P24	67	79436	MST-MBL	97
79062	CDWB96	123	79299	USTSC	122	79360	H2P30	67	79436	MST-MBL	106
79063	MDWS-96	123	79299	USTSC	122	79361	H2P36	67	79437	MST-MBR	97
79064	MDWS-96P	123	79300	USTSCHD	122	79362	H2P42	67	79437	MST-MBR	106
79068	HTTS-HT	75	79300	USTSCHD	122	79363	H2P48	67	79439	MSTCHD	97
79070	SSTHK	105	79303	INDR-1212	140	79364	H2P54	67	79439	MSTCHD	106
79070	SSTHK	119	79304	INDR-1218	140	79365	H2P60	67	79440	MSTBK	97
79070	SSTHK	126	79305	INDR-1824	140	79366	H2P72	67	79440	MSTBK	106
79071	SSTHK-S/S	107	79306	INDR-2424	140	79367	HV2T-S/S	65	79441	MSTGT	97
79072	HDRBK-HD	146	79307	INDR-1212S	140	79367	HV2T-S/S	67	79441	MSTGT	106
79073	PFS-ESAC	116	79308	INDR-1218S	140	79368	HV2PT	65	79442	MHS-18V-MST	100
79080	LAGGING-TB	240	79309	INDR-1824S	140	79368	HV2PT	67	79443	MHS-24V-MST	100
79091	EZAI-24I	174	79310	INDR-2424S	140	79369	H2SA6SS	65	79444	MHS-30V-MST	100
79091	EZAI-24I	183	79311	IDSC-1212	140	79369	H2SA6SS	67	79445	MHS-36V-MST	100
79091	EZAI-24I	186	79312	IDSC-1218	140	79370	H2SA6S	65	79446	MHS-42V-MST	100
79092	EZAI-30I	174	79313	IDSC-1824	140	79370	H2SA6S	67	79447	MHS-48V-MST	100
79092	EZAI-30I	183	79314	IDSC-2424	140	79371	H2SA6M	65	79448	MHS-54V-MST	100
79092	EZAI-30I	186	79315	IDSEAL	140	79371	H2SA6M	67	79449	MHS-60V-MST	100
79093	EZAI-36I	174	79316	IDHINGE	140	79372	H2SA6L	65	79450	MHS-72V-MST	100
79093	EZAI-36I	183	79317	IDLATCH	140	79372	H2SA6L	67	79451	MSTPMHD	97
79093	EZAI-36I	186	79318	EZIRMK	176	79373	H2SA6LL	65	79451	MSTPMHD	106
79094	EZAI-42I	174	79319	AWTRK	44	79373	H2SA6LL	67	79453	UHVC	67
79094	EZAI-42I	183	79319	AWTRK	51	79374	H2RC	67	79481	RB38BP	153
79094	EZAI-42I	186	79319	AWTRK	57	79375	HV2SSTS	67	79481	RB38BP	159
79095	EZAI-48I	174	79319	AWTRK	102	79378	MSR2	216	79481	RB38BP	160
79095	EZAI-48I	183	79319	AWTRK	124	79378	MSR2	217	79493	SSTLBK	105
79095	EZAI-48I	186	79319	AWTRK	132	79379	MIB2-1U	185	79493	SSTLBK	107
79096	EZAI-54I	174	79320	UPFCC	98	79379	MIB2-1U	188	79493	SSTLBK	126
79096	EZAI-54I	183	79320	UPFCC	105	79380	PMSMK2	216	79493	SSTLBK	134
79096	EZAI-54I	186	79323	HV2-18SS	65	79380	PMSMK2	217	79494	MBC-18	127
79097	EZAI-60I	174	79324	HV2-18S	65	79381	MAK2	217	79495	MBC-24	127
79097	EZAI-60I	183	79325	HV2-18M	65	79382	MAKHD2	217	79496	MBC-30	127
79097	EZAI-60I	186	79326	HV2-24SS	65	79383	CLN460/18.4-12S	239	79497	MBC-36	127
79098	EZAI-72I	174	79327	HV2-24S	65	79384	CLN600/24-12S	239	79498	MBC-42	127
79098	EZAI-72I	183	79328	HV2-24M	65	79385	CLN760/30.4-12S	239	79499	MBC-48	127
79098	EZAI-72I	186	79329	HV2-30SS	65	79387	CLN900/36-12S	239	79500	MBC-54	127
79099	LAGGING-TB2	240	79330	HV2-30S	65	79388	CLN1060/42.4-12S	239	79501	MBC-60	127
79202	USTSCK	122	79331	HV2-30M	65	79389	CLN1200/48-12S	239	79502	MBC-72	127
79204	USTSCKHD	122	79332	HV2-36SS	65	79390	CLN1360/54.4-12S	239	79503	MBC-84	127
79206	USPB2	122	79333	HV2-36S	65	79392	CLN1520/60.8-12S	239	79504	MBDS-18	129
79207	UHPB2	122	79334	HV2-36M	65	79395	CLN1800/72-12S	239	79505	MBDS-24	129
79224	CCKL	79	79335	HV2-36L	65	79398	CLN2100/84-12S	239	79506	MBDS-30	129
79224	CCKL	91	79336	HV2-42SS	65	79406	CLFR460/18.4-12S	239	79507	MBDS-36	129
79224	CCKL	94	79337	HV2-42S	65	79407	CLFR600/24-12S	239	79508	MBDS-42	129
79224	CCKL	149	79338	HV2-42M	65	79408	CLFR760/30.4-12S	239	79509	MBDS-48	129
79225	CCKHDL	79	79339	HV2-42L	65	79410	CLFR900/36-12S	239	79510	MBDS-54	129
79225	CCKHDL	111	79340	HV2-42LL	65	79411	CLFR1060/42.4-12S	239	79511	MBDS-60	129
79225	CCKHDL	115	79341	HV2-48SS	65	79412	CLFR1200/48-12S	239	79512	MBDS-72	129
79225	CCKHDL	149	79342	HV2-48S	65	79413	CLFR1360/54.4-12S	239	79513	MBDS-84	129
79228	CCKR	79	79343	HV2-48M	65	79415	CLFR1520/60.8-12S	239	79514	MBRD-18	127
79228	CCKR	91	79344	HV2-48L	65	79418	CLFR1800/72-12S	239	79514	MBRD-18	129
79228	CCKR	94	79345	HV2-48LL	65	79421	CLFR2100/84-12S	239	79515	MBRD-24	127
79228	CCKR	149	79346	HV2-54S	65	79431	MSTHD-W	97	79515	MBRD-24	129
79229	CCKHDR	79	79347	HV2-54M	65	79431	MSTHD-W	106	79516	MBRD-30	127
79229	CCKHDR	111	79348	HV2-54L	65	79432	MSTHD-S	97	79516	MBRD-30	129
79229	CCKHDR	115	79349	HV2-54LL	65	79432	MSTHD-S	106	79517	MBRD-36	127
79229	CCKHDR	149	79350	HV2-60S	65	79433	MSTHD-B	97	79517	MBRD-36	129
79232	CCKTS	79	79351	HV2-60M	65	79433	MSTHD-B	106	79518	MBRD-42	127

INDEX By Item Code

Item Code	Ordering Number	Page #	Item Code	Ordering Number	Page #	Item Code	Ordering Number	Page #	Item Code	Ordering Number	Page #
79518	MBRD-42	129	79630	MHS-54RMV	100	79767	YT-30S	80	79830	YCART-42/1050-HDTC	85
79519	MBRD-48	127	79631	MHS-60RMV	100	79768	YT-36S	80	79831	YCART-48/1200-HDTC	85
79519	MBRD-48	129	79632	MHS-72RMV	100	79769	YT-42S	80	79832	YCART-54/1350-HDTC	85
79520	MBRD-54	127	79637	FMS-18	95	79770	YT-48S	80	79833	YCART-60/1500-HDTC	85
79520	MBRD-54	129	79638	FMS-24	95	79771	YTW-18S	80	79834	YCART-72/1800-HDTC	85
79521	MBRD-60	127	79639	FMS-30	95	79772	YTW-24S	80	79835	YTACHD	87
79521	MBRD-60	129	79640	FMS-36	95	79773	YTW-30S	80	79836	YST-Y	83
79522	MBRD-72	127	79641	FMS-42	95	79774	YTW-36S	80	79836	YST-Y	97
79522	MBRD-72	129	79642	FMS-48	95	79775	YTW-42S	80	79837	YST-P	83
79523	MBRD-84	127	79643	FMS-54	95	79776	YTW-48S	80	79837	YST-P	97
79523	MBRD-84	129	79644	FMS-60	95	79777	YTHD-TC-36S	84	79838	YST-S	83
79524	MBCMK	129	79645	FMS-72	95	79778	YTHD-TC-42S	84	79838	YST-S	97
79525	MBCBC	129	79646	FMS-18V	95	79779	YTHD-TC-48S	84	79839	YSTHD-GR	87
79526	MBCB	129	79647	FMS-24V	95	79780	YTHD-TC-54S	84	79840	YSTHD-S	87
79527	MBADB	129	79648	FMS-30V	95	79781	YTHD-TC-60S	84	79841	YSTHD-BL	87
79528	MBCBM	129	79649	FMS-36V	95	79782	YTHD-TC-72S	84	79842	YSTHD-BK	87
79529	MBCM-1	129	79650	FMS-42V	95	79783	YTHD-36S	84	79843	YSTMB	83
79530	MBCM-2	129	79651	FMS-48V	95	79784	YTHD-42S	84	79843	YSTMB	97
79531	MBCTA	129	79652	FMS-54V	95	79785	YTHD-48S	84	79845	YSTGBK	83
79532	MBCBL	129	79653	FMS-60V	95	79786	YTHD-54S	84	79845	YSTGBK	97
79533	MBCMCK	129	79654	FMS-72V	95	79787	YTHD-60S	84	79846	YSTLBK	83
79534	MBCEC	129	79665	PTMHD54VR	213	79788	YTHD-72S	84	79846	YSTLBK	97
79535	STLP	129	79666	PTMHD60VR	213	79789	YTHDW-36S	84	79847	YSTTBK-W	83
79536	MBCDBK	127	79667	PTMHD72VR	213	79790	YTHDW-42S	84	79847	YSTTBK-W	97
79536	MBCDBK	129	79668	PTMHD84VR	213	79791	YTHDW-48S	84	79848	YSTPMK	83
79536	MBCDBK	138	79669	PTM24VR	213	79792	YTHDW-54S	84	79848	YSTPMK	97
79571	MFASKHD	217	79670	PTM30VR	213	79793	YTHDW-60S	84	79849	YSTHDMB	87
79572	YT-W	81	79671	PTM36VR	213	79794	YTHDW-72S	84	79850	YSTHDBK	84
79573	YT-P	81	79672	PTM42VR	213	79795	YSTS-Y	83	79850	YSTHDBK	87
79574	YT-C	81	79673	PTM48VR	213	79795	YSTS-Y	97	79850	YSTHDBK	138
79582	SSTHB	105	79674	PTM54VR	213	79796	YSTS-P	83	79851	YSTHDBGK	87
79582	SSTHB	126	79675	PTM60VR	213	79796	YSTS-P	97	79852	YSTHDLBK	87
79582	SSTHB	134	79676	YT-HDW	85	79797	YSTHDS-GR	87	79853	YSTHDBK-W	87
79586	SSTHB-S/S	107	79677	YT-HDP	85	79798	YSTHDS-BL	87	79854	YSTPHDMK	87
79587	YTP-18/450	83	79699	FMSC	97	79799	YTPHD-36/900	87	79855	YSTTBK-B	83
79588	YTP-24/600	83	79728	YT-HDC	85	79800	YTPHD-42/1050	87	79855	YSTTBK-B	97
79589	YTP-30/750	83	79738	MHS-24RU	98	79801	YTPHD-48/1200	87	79856	YSTHDBK-B	87
79590	YTP-36/900	83	79739	MHS-30RU	98	79802	YTPHD-54/1350	87	79857	YSTANK	83
79591	YTP-42/1050	83	79740	MHS-36RU	98	79803	YTPHD-60/1500	87	79857	YSTANK	97
79592	YTP-48/1200	83	79741	MHS-42RU	98	79804	YTPHD-72/1800	87	79858	YSTANKHD	87
79593	YTA-18/450	83	79742	MHS-48RU	98	79805	YTAHD-36/900	87	79861	RBSE-10	158
79594	YTA-24/600	83	79743	MHS-54RU	98	79806	YTAHD-42/1050	87	79862	RBSE-16	158
79595	YTA-30/750	83	79744	MHS-60RU	98	79807	YTAHD-48/1200	87	79863	RBSE-22	158
79596	YTA-36/900	83	79745	MHS-72RU	98	79808	YTAHD-54/1350	87	79864	RBSE-28	158
79597	YTA-42/1050	83	79746	MHS-84RU	98	79809	YTAHD-60/1500	87	79865	RBSE-34	158
79598	YTA-48/1200	83	79747	MHS-96RU	98	79810	YTAHD-72/1800	87	79866	RBSE-40	158
79611	YCART-18/450-W	81	79748	MHS-18RUV	98	79811	YCART-18/450-TC	81	79867	RBSE-46	158
79612	YCART-24/600-W	81	79749	MHS-24RUV	98	79812	YCART-24/600-TC	81	79868	RBSE-52	158
79613	YCART-30/750-W	81	79750	MHS-30RUV	98	79813	YCART-30/750-TC	81	79869	RBSE-58	158
79614	YCART-36/900-W	81	79751	MHS-36RUV	98	79814	YCART-36/900-TC	81	79870	RBSE-64	158
79615	YCART-42/1050-W	81	79752	MHS-42RUV	98	79815	YCART-42/1050-TC	81	79871	RBSE-70	158
79616	YCART-48/1200-W	81	79753	MHS-48RUV	98	79816	YCART-48/1200-TC	81	79891	JNK-A	19
79617	YCART-18/450-P	81	79754	MHS-54RUV	98	79817	YCART-36/900-HDP	85	79892	JNK-B	29
79618	YCART-24/600-P	81	79755	MHS-60RUV	98	79818	YCART-42/1050-HDP	85	79893	JNK-C	39
79619	YCART-30/750-P	81	79756	MHS-72RUV	98	79819	YCART-48/1200-HDP	85	79893	JNK-C	47
79620	YCART-36/900-P	81	79757	MHS-84RUV	98	79820	YCART-54/1350-HDP	85	79893	JNK-C	67
79621	YCART-42/1050-P	81	79758	MHS-96RUV	98	79821	YCART-60/1500-HDP	85	79893	JNK-C	74
79622	YCART-48/1200-P	81	79759	YT-TC-18S	80	79822	YCART-72/1800-HDP	85	79893	JNK-C	105
79623	YTAC	83	79760	YT-TC-24S	80	79823	YCART-36/900-HDW	85	79893	JNK-C	122
79624	MHS-18RMV	100	79761	YT-TC-30S	80	79824	YCART-42/1050-HDW	85	79893	JNK-C	126
79625	MHS-24RMV	100	79762	YT-TC-36S	80	79825	YCART-48/1200-HDW	85	79894	JNK-D	55
79626	MHS-30RMV	100	79763	YT-TC-42S	80	79826	YCART-54/1350-HDW	85	79894	JNK-D	60
79627	MHS-36RMV	100	79764	YT-TC-48S	80	79827	YCART-60/1500-HDW	85	79908	MIB2-1UF	185
79628	MHS-42RMV	100	79765	YT-18S	80	79828	YCART-72/1800-HDW	85	79908	MIB2-1UF	188
79629	MHS-48RMV	100	79766	YT-24S	80	79829	YCART-36/900-HDTC	85	79914	MBC-18-575V	127

INDEX By Item Code

Item Code	Ordering Number	Page #	Item Code	Ordering Number	Page #	Item Code	Ordering Number	Page #	Item Code	Ordering Number	Page #
79915	MBC-24-575V	127	79979	MSB24-2I	183	90042	PTMSD72VR-S/S	214	90164	MHP-18120P	50
79916	MBC-30-575V	127	79980	MSB30-2I	183	90043	PTMSD84VR-S/S	214	90165	MHP-24108P	50
79917	MBC-36-575V	127	79981	MSB36-2I	183	90044	PTMSD96VR-S/S	214	90166	MHP-24120P	50
79918	MBC-42-575V	127	79982	MSB42-2I	183	90045	PTMSD120VR-S/S	214	90169	MHCP-108P	56
79919	MBC-48-575V	127	79983	MSB48-2I	183	90046	MSR2-S/S	218	90170	MHCP-120P	56
79920	MBC-54-575V	127	79984	MSB54-2I	183	90047	PMSMK2-S/S	218	90177	MDWS-108P	123
79921	MBC-60-575V	127	79985	MSB60-2I	183	90048	MAK2-S/S	218	90185	PTMAFMKT	216
79922	MBC-72-575V	127	79986	MSB72-2I	183	90049	MAKHD2-S/S	218	90186	PTMAFMKR	216
79923	MBC-84-575V	127	79987	MSBRMK	185	90050	MFASKHD-S/S	218	90187	PTMAFMKHDR	216
79924	MBCM-575-1	129	79988	SB2F	185	90051	PTMSD72VR	213	90188	PTMAEKT	216
79925	MBCM-575-2	129	79988	SB2F	188	90052	PTMSD84VR	213	90189	PTMAEKR	216
79936	CBS18SF	131	79989	SHIM-KITMOD	185	90053	PTMSD96VR	213	90190	PTMAEKVR	216
79937	CBS24SF	131	79989	SHIM-KITMOD	188	90054	PTMSD120VR	213	90191	PTMAEKHDT	216
79938	CBS30SF	131	79991	MSB24RMK	183	90055	MSRSD-S/S	218	90192	PTMAEKHDR	216
79939	CBS36SF	131	79992	MSB30RMK	183	90056	PMSMKSD-S/S	218	90193	PTMAEKHDVR	216
79940	CBS42SF	131	79993	MSB36RMK	183	90057	MAKSD-S/S	218	90194	PTMAAK	216
79941	CBS48SF	131	79994	MSB42RMK	183	90068	RWPREC-624	135	90195	PTMAAKHD	216
79942	CBS54SF	131	79995	MSB48RMK	183	90069	RWPREC-630	135	90196	PTMAFASK	216
79943	CBS60SF	131	79996	MSB54RMK	183	90070	RWPREC-636	135	90197	PTMAORK	216
79944	CBS72SF	131	79997	MSB60RMK	183	90071	RWPREC-642	135	90220	SE6-R36	216
79945	CBS84SF	131	79998	MSB72RMK	183	90072	RWPREC-648	135	90221	SE6-R42	216
79946	CBS96SF	131	90000	AWTPBA	47	90073	RWPREC-654	135	90222	SE6-R48	216
79947	CBSBLD18F	131	90000	AWTPBA	55	90074	RWPREC-660	135	90223	SE6-R54	216
79947	CBSBLD18F	137	90000	AWTPBA	60	90075	RWPREC-672	135	90224	SE6-R60	216
79948	CBSBLD24F	131	90001	PTM24T-S/S	214	90076	RWPREC-684	135	90225	SE6-R72	216
79948	CBSBLD24F	137	90002	PTM30T-S/S	214	90077	RWPREC-696	135	90226	SE6-R84	216
79949	CBSBLD30F	131	90003	PTM36T-S/S	214	90078	RWPREC-1230	135	90227	SE6-T36	216
79949	CBSBLD30F	137	90004	PTM42T-S/S	214	90079	RWPREC-1236	135	90228	SE6-T42	216
79950	CBSBLD36F	131	90005	PTM48T-S/S	214	90080	RWPREC-1242	135	90229	SE6-T48	216
79950	CBSBLD36F	137	90006	PTM54T-S/S	214	90081	RWPREC-1248	135	90230	SE6-T54/VR36	216
79951	CBSBLD42F	131	90007	PTM60T-S/S	214	90082	RWPREC-1254	135	90231	SE6-T60/VR42	216
79951	CBSBLD42F	137	90008	PTMHD54T-S/S	214	90083	RWPREC-1260	135	90232	SE6-T72/VR48	216
79952	CBSBLD48F	131	90009	PTMHD60T-S/S	214	90084	RWPREC-1272	135	90233	SE6-T84	216
79952	CBSBLD48F	137	90010	PTMHD72T-S/S	214	90085	RWPREC-1284	135	90234	SE6-VR54	216
79953	CBSBLD54F	131	90011	PTMHD84T-S/S	214	90086	RWPREC-1296	135	90235	SE6-VR60	216
79953	CBSBLD54F	137	90012	PTM24R-S/S	214	90087	RWPBLD-18	136	90236	SE6-VR72	216
79954	CBSBLD60F	131	90013	PTM30R-S/S	214	90088	RWPBLD-24	136	90237	MIB24CSK	185
79954	CBSBLD60F	137	90014	PTM36R-S/S	214	90089	RWPBLD-30	136	90237	MIB24CSK	188
79955	CBSBLD72F	131	90015	PTM42R-S/S	214	90090	RWPBLD-36	136	90238	MIB30CSK	185
79955	CBSBLD72F	137	90016	PTM48R-S/S	214	90091	RWPBLD-42	136	90238	MIB30CSK	188
79956	CBSBLD84F	131	90017	PTM54R-S/S	214	90092	RWPBLD-48	136	90239	MIB36CSK	185
79956	CBSBLD84F	137	90018	PTM60R-S/S	214	90093	RWPBLD-54	136	90239	MIB36CSK	188
79957	CBSBLD96F	131	90019	PTMHD54R-S/S	214	90094	RWPBLD-60	136	90240	MIB42CSK	185
79957	CBSBLD96F	137	90020	PTMHD60R-S/S	214	90095	RWPBLD-66	136	90240	MIB42CSK	188
79958	CBS18PF	131	90021	PTMHD72R-S/S	214	90096	RWPBLD-72	136	90241	MIB48CSK	185
79959	CBS24PF	131	90022	PTMHD84R-S/S	214	90097	RWPBLD-78	136	90241	MIB48CSK	188
79960	CBS30PF	131	90023	PTM24VR-S/S	214	90098	RWPBLD-84	136	90242	MIB54CSK	185
79961	CBS36PF	131	90024	PTM30VR-S/S	214	90099	RWPBLD-90	136	90242	MIB54CSK	188
79962	CBS42PF	131	90025	PTM36VR-S/S	214	90100	PTS-DRK	211	90243	MIB60CSK	185
79963	CBS48PF	131	90026	PTM42VR-S/S	214	90101	CBSBP18F	134	90243	MIB60CSK	188
79964	CBS54PF	131	90027	PTM48VR-S/S	214	90102	CBSBP24F	134	90244	MIB72CSK	185
79965	CBS60PF	131	90028	PTM54VR-S/S	214	90103	CBSBP30F	134	90244	MIB72CSK	188
79966	CBS72PF	131	90029	PTM60VR-S/S	214	90104	CBSBP36F	134	90245	MIB24WPK	185
79967	CBS84PF	131	90030	PTMHD54VR-S/S	214	90105	CBSBP42F	134	90245	MIB24WPK	188
79968	CBS96PF	131	90031	PTMHD60VR-S/S	214	90106	CBSBP48F	134	90246	MIB30WPK	185
79970	SB2	185	90032	PTMHD72VR-S/S	214	90107	CBSBP54F	134	90246	MIB30WPK	188
79970	SB2	188	90033	PTMHD84VR-S/S	214	90108	CBSBP60F	134	90247	MIB36WPK	185
79971	MIB24-2H	186	90034	PTMSD72T-S/S	214	90109	CBSBP72F	134	90247	MIB36WPK	188
79972	MIB30-2H	186	90035	PTMSD84T-S/S	214	90110	CBSBP84F	134	90248	MIB42WPK	185
79973	MIB36-2H	186	90036	PTMSD96T-S/S	214	90111	CBSBP96F	134	90248	MIB42WPK	188
79974	MIB42-2H	186	90037	PTMSD120T-S/S	214	90159	MHP-6108P	50	90249	MIB48WPK	185
79975	MIB48-2H	186	90038	PTMSD72R-S/S	214	90160	MHP-6120P	50	90249	MIB48WPK	188
79976	MIB54-2H	186	90039	PTMSD84R-S/S	214	90161	MHP-12108P	50	90250	MIB54WPK	185
79977	MIB60-2H	186	90040	PTMSD96R-S/S	214	90162	MHP-12120P	50	90250	MIB54WPK	188
79978	MIB72-2H	186	90041	PTMSD120R-S/S	214	90163	MHP-18108P	50	90251	MIB60WPK	185

INDEX By Item Code

Item Code	Ordering Number	Page #	Item Code	Ordering Number	Page #	Item Code	Ordering Number	Page #	Item Code	Ordering Number	Page #
90251	MIB60WPK	188	90399	MXP-696	61	90618	PTEZHD-54/1350	205	90947	RBQB1-52/1300	154
90252	MIB72WPK	185	90400	MXP-6120	61	90619	PTEZHD-60/1500	205	90948	RBQB1-54/1350	154
90252	MIB72WPK	188	90409	USB12	61	90620	PTEZHD-72/1800	205	90949	RBQB1-58/1450	154
90253	MIB24CPK	188	90409	USB12	64	90621	PTEZHD-84/2100	205	90950	RBQB1-60/1500	154
90254	MIB30CPK	188	90410	USB6	61	90622	MXPP-1242	64	90951	RBQB1-64/1600	154
90255	MIB36CPK	188	90410	USB6	64	90623	MXPP-1248	64	90952	RBQB1-70/1750	154
90256	MIB42CPK	188	90411	USBP	64	90624	MXPP-1254	64	90953	RBQB1-72/1800	154
90257	MIB48CPK	188	90412	USBBRP	64	90625	MXPP-1260	64	90954	QB1PCK	154
90258	MIB54CPK	188	90434	EZCRMK24-48	176	90626	MXPP-1272	64	91214	RWPREC-1836	135
90259	MIB60CPK	188	90435	QMT-ATEX	39	90627	MXPP-1284	64	91215	RWPREC-1842	135
90260	MIB72CPK	188	90537	CBCS18	130	90628	MXPP-1296	64	91216	RWPREC-1848	135
90261	EZCRMK54-60	176	90538	CBCS24	130	90629	MXPP-12120	64	91217	RWPREC-1854	135
90262	EZCRMK72	176	90539	CBCS30	130	90631	CRDF18	130	91218	RWPREC-1860	135
90264	ESBK-ATEX	19	90540	CBCS36	130	90632	CRDF24	130	91219	RWPREC-1872	135
90265	PTEZ-18	205	90541	CBCS42	130	90633	CRDF30	130	91220	RWPREC-1884	135
90266	PTEZ-24	205	90542	CBCS48	130	90634	CRDF36	130	91221	RWPREC-1896	135
90267	PTEZ-30	205	90543	CBCS54	130	90635	CRDF42	130	91222	SKPU-6X1/2X50	224
90268	PTEZ-36	205	90544	CBCS60	130	90636	CRDF48	130	91223	SKPU-6X3/4X50	224
90269	PTEZ-42	205	90545	FMS-18-YST	95	90637	CRDF54	130	91224	SKPU-8X1/2X50	224
90270	PTEZ-48	205	90546	FMS-24-YST	95	90638	CRDF60	130	91225	SKPU-8X3/4X50	224
90283	SKPU-6X1/2X25	224	90547	FMS-30-YST	95	90639	CRDF72	130	91226	EZP1-UHT212	14
90284	SKPU-6X3/4X25	224	90548	FMS-36-YST	95	90640	CRDF84	130	91227	EZP1-UHT218	14
90285	SKPU-8X1/2X25	224	90549	FMS-42-YST	95	90641	CBC3R	130	91228	EZP1-UHT224	14
90286	SKPU-8X3/4X25	224	90550	FMS-48-YST	95	90642	MXP-6108	61	91229	EZP1-UHT230	14
90319	SE6-VR84	216	90551	FMS-54-YST	95	90643	MXP-12108	61	91230	EZP1-UHT236	14
90351	PTEZMB	205	90552	FMS-60-YST	95	90644	MXPP-6108	64	91231	EZP1-UHT242	14
90352	PTEZPB	205	90553	FMS-72-YST	95	90645	MXPP-12108	64	91232	EZP1-UHT248	14
90353	PTEZDC	205	90554	CBCS72	130	90646	RBP1R-S	202	91233	EZP1-UHT254	14
90362	PTMA36T	212	90555	CBCS84	130	90647	RBP1R-M	202	91234	EZP1-UHT260	14
90363	PTMA42T	212	90581	MXP-1242	61	90648	RBP1R-L	202	91235	EZP1-UHT272	14
90364	PTMA48T	212	90582	MXP-1248	61	90649	RBP1R-XL	202	91236	EZP1-UHT818	14
90365	PTMA54T	212	90583	MXP-1254	61	90650	RBPRR-S	204	91237	EZP1-UHT824	14
90366	PTMA60T	212	90584	MXP-1260	61	90651	RBPRR-M	204	91238	EZP1-UHT830	14
90367	PTMA36R	212	90585	MXP-1272	61	90652	RBPRR-L	204	91239	EZP1-UHT836	14
90368	PTMA42R	212	90586	MXP-1284	61	90653	RBPRR-XL	204	91240	EZP1-UHT842	14
90369	PTMA48R	212	90587	MXP-1296	61	90762	CBC72	130	91241	EZP1-UHT848	14
90370	PTMA54R	212	90588	MXP-12120	61	90763	CBC84	130	91242	EZP1-UHT854	14
90371	PTMA60R	212	90589	MXPP-642	64	90795	PTEZHD-56/1400	205	91243	EZP1-UHT860	14
90372	PTMA36VR	212	90590	MXPP-648	64	90796	PTEZHD-64/1600	205	91244	EZP1-UHT872	14
90373	PTMA42VR	212	90591	MXPP-654	64	90797	PTEZHD-80/2000	205	91245	EZP1-UHT1424	14
90374	PTMA48VR	212	90592	MXPP-660	64	90798	PTEZHD-42/1050-UG	205	91246	EZP1-UHT1430	14
90375	PTMA54VR	212	90593	MXPP-672	64	90799	PTEZHD-48/1200-UG	205	91247	EZP1-UHT1436	14
90376	PTMA60VR	212	90594	MXPP-684	64	90800	PTEZHD-54/1350-UG	205	91248	EZP1-UHT1442	14
90377	PTMAHD54T	212	90595	MXPP-696	64	90801	PTEZHD-60/1500-UG	205	91249	EZP1-UHT1448	14
90378	PTMAHD60T	212	90596	MXPP-6120	64	90802	PTEZHD-72/1800-UG	205	91250	EZP1-UHT1454	14
90379	PTMAHD72T	212	90598	MXPPE	64	90803	PTEZHD-MBK	205	91251	EZP1-UHT1460	14
90380	PTMAHD84T	212	90599	XDSTMPK	64	90804	PTEZHD-PBK	205	91252	EZP1-UHT1472	14
90381	PTMAHD54R	212	90600	XDSTPAK	64	90805	PTEZHD-DCK	205	91253	CRB-UHT10	16
90382	PTMAHD60R	212	90601	XDSTS-W	64	90806	PTEZHD-WRBK	205	91253	CRB-UHT10	37
90383	PTMAHD72R	212	90602	XDSTS-P	64	90807	PTEZHD-JBBK	205	91254	CRB-UHT16	16
90384	PTMAHD84R	212	90603	XDSTS-B	64	90814	EST-A-P	19	91254	CRB-UHT16	37
90385	PTMAHD54VR	212	90604	XDSTBK-W	64	90815	EST-A-S	19	91255	CRB-UHT22	16
90386	PTMAHD60VR	212	90605	XDSTBK-P	64	90816	EST-A-B	19	91255	CRB-UHT22	37
90387	PTMAHD72VR	212	90606	XDSTBK-B	64	90935	RBQB1-16/400	154	91256	CRB-UHT28	16
90388	PTMAHD84VR	212	90607	MXPPBK	64	90936	RBQB1-18/450	154	91256	CRB-UHT28	37
90389	MMP-6108P	43	90608	XDSTPSBK	64	90937	RBQB1-22/550	154	91257	CRB-UHT34	16
90390	MMP-6120P	43	90609	XDSTTAK	64	90938	RBQB1-24/600	154	91257	CRB-UHT34	37
90391	MMP-12108P	43	90610	XDSTJNK	64	90939	RBQB1-28/700	154	91258	CRB-UHT40	16
90392	MMP-12120P	43	90611	XDST-W	64	90940	RBQB1-30/750	154	91258	CRB-UHT40	37
90393	MXP-642	61	90612	XDST-P	64	90941	RBQB1-34/850	154	91259	CRB-UHT46	16
90394	MXP-648	61	90613	XDST-B	64	90942	RBQB1-36/900	154	91259	CRB-UHT46	37
90395	MXP-654	61	90614	RBDT-6C	163	90943	RBQB1-40/1000	154	91260	CRB-UHT52	16
90396	MXP-660	61	90615	RBDTXHD-13C	164	90944	RBQB1-42/1050	154	91260	CRB-UHT52	37
90397	MXP-672	61	90616	PTEZHD-42/1050	205	90945	RBQB1-46/1150	154	91261	CRB-UHT58	16
90398	MXP-684	61	90617	PTEZHD-48/1200	205	90946	RBQB1-48/1200	154	91261	CRB-UHT58	37

INDEX By Item Code

Item Code	Ordering Number	Page #	Item Code	Ordering Number	Page #	Item Code	Ordering Number	Page #	Item Code	Ordering Number	Page #
91262	CRB-UHT64	16	91326	SKPU-12X1/2X50	224	91503	CBS72SC	131	91658	ES54-4-SN	219
91262	CRB-UHT64	37	91327	SKPU-12X5/8X50	224	91504	CBS84SC	131	91659	ES60-4-SN	219
91263	CRB-UHT70	16	91328	SKPU-12X3/4X50	224	91505	CBS96SC	131	91660	ES66-4-SN	219
91263	CRB-UHT70	37	91329	SKPU-12X1X50	224	91527	CBSBLD18C	131	91661	ES72-4-SN	219
91264	MSP-UHT224	35	91400	SKPU-DUAL-6X1/2X25	225	91528	CBSBLD24C	131	91662	ES84-4-SN	219
91265	MSP-UHT230	35	91401	SKPU-DUAL-6X3/4X25	225	91529	CBSBLD30C	131	91663	ES96-4-SN	219
91266	MSP-UHT236	35	91402	SKPU-DUAL-8X1/2X25	225	91530	CBSBLD36C	131	91664	ES24-4-SF	219
91267	MSP-UHT242	35	91403	SKPU-DUAL-8X3/4X25	225	91531	CBSBLD42C	131	91665	ES30-4-SF	219
91268	MSP-UHT248	35	91404	SKPU-DUAL-6X1/2X50	225	91532	CBSBLD48C	131	91666	ES36-4-SF	219
91269	MSP-UHT254	35	91405	SKPU-DUAL-6X3/4X50	225	91533	CBSBLD54C	131	91667	ES42-4-SF	219
91270	MSP-UHT260	35	91406	SKPU-DUAL-8X1/2X50	225	91534	CBSBLD60C	131	91668	ES48-4-SF	219
91271	MSP-UHT272	35	91407	SKPU-DUAL-8X3/4X50	225	91535	CBSBLD72C	131	91669	ES54-4-SF	219
91272	MSP-UHT824	35	91408	SSTXD-W	105	91536	CBSBLD84C	131	91670	ES60-4-SF	219
91273	MSP-UHT830	35	91408	SSTXD-W	126	91537	CBSBLD96C	131	91671	ES66-4-SF	219
91274	MSP-UHT836	35	91408	SSTXD-WV	134	91538	CBSBP18C	134	91672	ES72-4-SF	219
91275	MSP-UHT842	35	91409	SSTXD-S	105	91539	CBSBP24C	134	91673	ES84-4-SF	219
91276	MSP-UHT848	35	91409	SSTXD-S	126	91540	CBSBP30C	134	91674	ES96-4-SF	219
91277	MSP-UHT854	35	91409	SSTXD-S	134	91541	CBSBP36C	134	91675	ES48-4-TN	219
91278	MSP-UHT860	35	91410	SSTXD-B	105	91542	CBSBP42C	134	91676	ES54-4-TN	219
91279	MSP-UHT872	35	91410	SSTXD-B	126	91543	CBSBP48C	134	91677	ES60-4-TN	219
91280	MSP-UHT1442	35	91410	SSTXD-B	134	91544	CBSBP54C	134	91678	ES66-4-TN	219
91281	MSP-UHT1448	35	91411	SSTXD-G	105	91545	CBSBP60C	134	91679	ES72-4-TN	219
91282	MSP-UHT1454	35	91411	SSTXD-G	126	91546	CBSBP72C	134	91680	ES84-4-TN	219
91283	MSP-UHT1460	35	91411	SSTXD-G	134	91547	CBSBP84C	134	91681	ES96-4-TN	219
91284	MSP-UHT1472	35	91412	SSTXDMK	105	91548	CBSBP96C	134	91682	ES48-4-TF	219
91285	QMT-A-P	39	91412	SSTXDMK	126	91549	CBS18PC	131	91683	ES54-4-TF	219
91286	QMT-A-W	39	91412	SSTXDMK	134	91550	CBS24PC	131	91684	ES60-4-TF	219
91288	SKPU-4X3/8X25	224	91414	SATXDNCB	106	91551	CBS30PC	131	91685	ES66-4-TF	219
91289	SKPU-4X1/2X25	224	91414	SATXDNCB	126	91552	CBS36PC	131	91686	ES72-4-TF	219
91290	SKPU-4X5/8X25	224	91414	SATXDNCB	134	91553	CBS42PC	131	91687	ES84-4-TF	219
91291	SKPU-4X3/4X25	224	91415	SATXDMK	106	91554	CBS48PC	131	91688	ES96-4-TF	219
91292	SKPU-4X1X25	224	91415	SATXDMK	126	91555	CBS54PC	131	91689	ES24-8-SN	219
91293	SKPU-4X3/8X50	224	91415	SATXDMK	134	91556	CBS60PC	131	91690	ES30-8-SN	219
91294	SKPU-4X1/2X50	224	91417	RWSECS-18F	137	91557	CBS72PC	131	91691	ES36-8-SN	219
91295	SKPU-4X5/8X50	224	91418	RWSECS-24F	137	91558	CBS84PC	131	91692	ES42-8-SN	219
91296	SKPU-4X3/4X50	224	91419	RWSECS-30F	137	91559	CBS96PC	131	91693	ES48-8-SN	219
91297	SKPU-4X1X50	224	91420	RWSECS-36F	137	91571	MBC-18-S	127	91694	ES54-8-SN	219
91298	SKPU-6X3/8X25	224	91421	RWSECS-42F	137	91572	MBC-24-S	127	91695	ES60-8-SN	219
91299	SKPU-6X5/8X25	224	91422	RWSECS-48F	137	91573	MBC-30-S	127	91696	ES66-8-SN	219
91300	SKPU-6X1X25	224	91423	RWSECS-54F	137	91574	MBC-36-S	127	91697	ES72-8-SN	219
91301	SKPU-6X3/8X50	224	91424	RWSECS-60F	137	91575	MBC-42-S	127	91698	ES84-8-SN	219
91302	SKPU-6X5/8X50	224	91425	RWSECS-72F	137	91576	MBC-48-S	127	91699	ES96-8-SN	219
91303	SKPU-6X1X50	224	91426	RWSECS-84F	137	91577	MBC-54-S	127	91700	ES24-8-SF	219
91304	SKPU-8X3/8X25	224	91427	RWSECS-96F	137	91578	MBC-60-S	127	91701	ES30-8-SF	219
91305	SKPU-8X5/8X25	224	91430	FLXCP	119	91579	MBC-72-S	127	91702	ES36-8-SF	219
91306	SKPU-8X1X25	224	91431	FLXEP	119	91580	MBC-84-S	127	91703	ES42-8-SF	219
91307	SKPU-8X3/8X50	224	91432	CBSP18	134	91581	MBC-18-575V-S	127	91704	ES48-8-SF	219
91308	SKPU-8X5/8X50	224	91433	CBSP24	134	91582	MBC-24-575V-S	127	91705	ES54-8-SF	219
91309	SKPU-8X1X50	224	91434	CBSP30	134	91583	MBC-30-575V-S	127	91706	ES60-8-SF	219
91310	SKPU-10X3/8X25	224	91435	CBSP36	134	91584	MBC-36-575V-S	127	91707	ES66-8-SF	219
91311	SKPU-10X1/2X25	224	91436	CBSP42	134	91585	MBC-42-575V-S	127	91708	ES72-8-SF	219
91312	SKPU-10X5/8X25	224	91437	CBSP48	134	91586	MBC-48-575V-S	127	91709	ES84-8-SF	219
91313	SKPU-10X3/4X25	224	91438	CBSP54	134	91587	MBC-54-575V-S	127	91710	ES96-8-SF	219
91314	SKPU-10X1X25	224	91439	CBSP60	134	91588	MBC-60-575V-S	127	91711	ES48-8-TN	219
91315	SKPU-10X3/8X50	224	91440	CBSP72	134	91589	MBC-72-575V-S	127	91712	ES54-8-TN	219
91316	SKPU-10X1/2X50	224	91441	CBSP84	134	91590	MBC-84-575V-S	127	91713	ES60-8-TN	219
91317	SKPU-10X5/8X50	224	91442	CBSP96	134	91591	MBCM-1-S	129	91714	ES66-8-TN	219
91318	SKPU-10X3/4X50	224	91495	CBS18SC	131	91592	MBCM-2-S	129	91715	ES72-8-TN	219
91319	SKPU-10X1X50	224	91496	CBS24SC	131	91593	MBCM-575-1-S	129	91716	ES84-8-TN	219
91320	SKPU-12X3/8X25	224	91497	CBS30SC	131	91594	MBCM-575-2-S	129	91717	ES96-8-TN	219
91321	SKPU-12X1/2X25	224	91498	CBS36SC	131	91653	ES24-4-SN	219	91718	ES48-8-TF	219
91322	SKPU-12X5/8X25	224	91499	CBS42SC	131	91654	ES30-4-SN	219	91719	ES54-8-TF	219
91323	SKPU-12X3/4X25	224	91500	CBS48SC	131	91655	ES36-4-SN	219	91720	ES60-8-TF	219
91324	SKPU-12X1X25	224	91501	CBS54SC	131	91656	ES42-4-SN	219	91721	ES66-8-TF	219
91325	SKPU-12X3/8X50	224	91502	CBS60SC	131	91657	ES48-4-SN	219	91722	ES72-8-TF	219

INDEX By Item Code

Item Code	Ordering Number	Page #	Item Code	Ordering Number	Page #	Item Code	Ordering Number	Page #	Item Code	Ordering Number	Page #
91723	ES84-8-TF	219	91819	YTHDR-54S	84	107576	DRDX-48-535	198	114390	JNK-G	122
91724	ES96-8-TF	219	91820	YTHDR-60S	84	107578	DRDX-54-520	198	114404	MCBKSD	217
91725	RS-24	220	91821	YTHDR-72S	84	107579	DRDX-54-535	198	114404	MCBKSD	218
91726	RS-30	220	91822	YT-HDR	85	107581	DRDX-60-520	198	114974	METABO-CHGR220	233
91727	RS-36	220	91823	YCART-36/900-HDR	85	107582	DRDX-60-535	198	115010	DRXD-36-520	196
91728	RS-42	220	91824	YCART-42/1050-HDR	85	107584	DRDX-72-520	198	115011	DRXD-36-535	196
91729	RS-48	220	91825	YCART-48/1200-HDR	85	107585	DRDX-72-535	198	30001RPR	EBC1 – REFURBISH	232
91730	RS-54	220	91826	YCART-54/1350-HDR	85	107587	DRDX-84-520	198	30002RPR	EBC2 – REFURBISH	232
91731	RS-60	220	91827	YCART-60/1500-HDR	85	107588	DRDX-84-535	198	30018RPR	CEBC1 – REFURBISH	232
91732	RS-66	220	91828	YCART-72/1800-HDR	85	107590	DRDX-96-520	198	30019RPR	CEBC2 – REFURBISH	232
91733	RS-72	220	91829	YSTHDGBK-R	87	107591	DRDX-96-535	198	A1636	CLFR1360/54.4-12	239
91734	RS-84	220	91830	YSTHDLBK-R	87	107852	MSPBP	39	K2546	WB24-2-S/S	143
91735	RS-96	220	91831	YSTHDBK-BL-R	87	107852	MSPBP	40	K2547	WB30-2-S/S	143
91736	DC-24	220	91832	YSTHDBK-GR-R	87	107852	MSPBP	126	K2548	WB36-2-S/S	143
91737	DC-30	220	91833	YSTHD-GR-R	87	108043	CEBC1/CEBC2-DRM	233	K2549	WB42-2-S/S	143
91738	DC-36	220	91834	YSTHD-BL-R	87	108045	CEBC1-CPLGM	233	K2550	WB48-2-S/S	143
91739	DC-42	220	91835	LA-54	223	108046	CEBC2-CPLGM	233	K2551	WB54-2-S/S	143
91740	DC-48	220	91836	LA-60	223	108047	EBC1-CPLGM	233	K2552	WB60-2-S/S	143
91741	DC-54	220	91837	LA-66	223	108048	EBC2-CPLGM	233	K2553	WB72-2-S/S	143
91742	DC-60	220	91838	LA-72	223	108228	PACB2-60	44	K2554	WB84-2-S/S	143
91743	DC-66	220	91839	LA-84	223	108228	PACB2-60	51	K2555	WB96-2-S/S	143
91744	DC-72	220	91840	LA-96	223	108228	PACB2-60	57	K2686	WB24C-2-S/S	143
91745	DC-84	220	91841	SL-48	223	108228	PACB2-60	102	K2687	WB30C-2-S/S	143
91746	DC-96	220	91842	TL-48	223	108228	PACB2-60	124	K2688	WB36C-2-S/S	143
91747	SP-24	220	91865	TRB-UHT18	45	108228	PACB2-60	132	K2689	WB42C-2-S/S	143
91748	SP-48	220	91866	TRB-UHT24	45	108229	PACB2-100	44	K2690	WB48C-2-S/S	143
91749	SP-72	220	91867	TRB-UHT30	45	108229	PACB2-100	51	K2691	WB54C-2-S/S	143
91750	SP-96	220	91868	TRB-UHT36	45	108229	PACB2-100	57	K2692	WB60C-2-S/S	143
91751	SKC-24	223	91869	TRB-UHT42	45	108229	PACB2-100	102	K2693	WB72C-2-S/S	143
91752	SKC-30	223	91870	TRB-UHT48	45	108229	PACB2-100	124	K2694	WB84C-2-S/S	143
91753	SKC-36	223	91871	TRB-UHT54	45	108229	PACB2-100	132	K2695	WB96C-2-S/S	143
91754	SKC-42	223	91872	TRB-UHT60	45	108230	PAT-C-60	44			
91755	SKC-48	223	91873	TRB-UHT66	45	108230	PAT-C-60	51			
91756	SKC-54	223	91874	TRB-UHT72	45	108230	PAT-C-60	57			
91757	SKC-60	223	91875	TRB-UHT78	45	108230	PAT-C-60	102			
91758	SKC-66	223	91876	TRB-UHT84	45	108230	PAT-C-60	124			
91759	SKC-72	223	91877	TRB-UHT90	45	108230	PAT-C-60	132			
91760	SKC-84	223	92159	DCRR-24	223	108231	PAT-C-100	44			
91761	SKC-96	223	92160	DCRR-30	223	108231	PAT-C-100	51			
91762	LA-24	223	92161	DCRR-36	223	108231	PAT-C-100	57			
91763	LA-30	223	92162	DCRR-42	223	108231	PAT-C-100	102			
91764	LA-36	223	92163	DCRR-48	223	108231	PAT-C-100	124			
91765	LA-42	223	92164	DCRR-54	223	108231	PAT-C-100	132			
91766	LA-48	223	92165	DCRR-60	223	108232	PAT-N	44			
91798	YTR-18S	80	92166	DCRR-66	223	108232	PAT-N	51			
91799	YTR-24S	80	92167	DCRR-72	223	108232	PAT-N	57			
91800	YTR-30S	80	92168	DCRR-84	223	108232	PAT-N	102			
91801	YTR-36S	80	92169	DCRR-96	223	108232	PAT-N	124			
91802	YTR-42S	80	92170	RSRR-24	223	108232	PAT-N	132			
91803	YTR-48S	80	92171	RSRR-30	223	108384	CEBC1-DUK	233			
91804	YT-R	81	92172	RSRR-36	223	108385	CEBC2-DUK	233			
91805	YCART-18/450-R	81	92173	RSRR-42	223	111390	CEBC1/CEBC2-BATMET	233			
91806	YCART-24/600-R	81	92174	RSRR-48	223	111728	IBS-DX5	198			
91807	YCART-30/750-R	81	92175	RSRR-54	223	112918	BSB-1	169			
91808	YCART-36/900-R	81	92176	RSRR-60	223	112919	BSB-2	169			
91809	YCART-42/1050-R	81	92177	RSRR-66	223	112920	BSB-3	169			
91810	YCART-48/1200-R	81	92178	RSRR-72	223	112921	BSB-4	169			
91811	YSTGBK-R	83	92179	RSRR-84	223	112922	BSB-5	169			
91812	YSTLBK-R	83	92180	RSRR-96	223	112923	BSB-6	169			
91813	YSTBKPU-R	83	106186	900CKK	231	112956	BSB-BRK	169			
91814	YST-Y-R	83	107569	DRDX-36-520	198	112960	BSB-BR	169			
91815	YST-P-R	83	107570	DRDX-36-535	198	113390	YSTDBK2	80			
91816	YTHDR-36S	84	107572	DRDX-42-520	198	113390	YSTDBK2	83			
91817	YTHDR-42S	84	107573	DRDX-42-535	198	113390	YSTDBK2	138			
91818	YTHDR-48S	84	107575	DRDX-48-520	198	114389	UPBKA	122			



Partners in Productivity

Av. Jorge Alessandri 11.500 – Edificio 7
Megacentro San Bernardo, San Bernardo, Santiago, Chile

Phone: 56-2-2896-7870

Email: ventaslatam@flexco.com

www.flexco.com