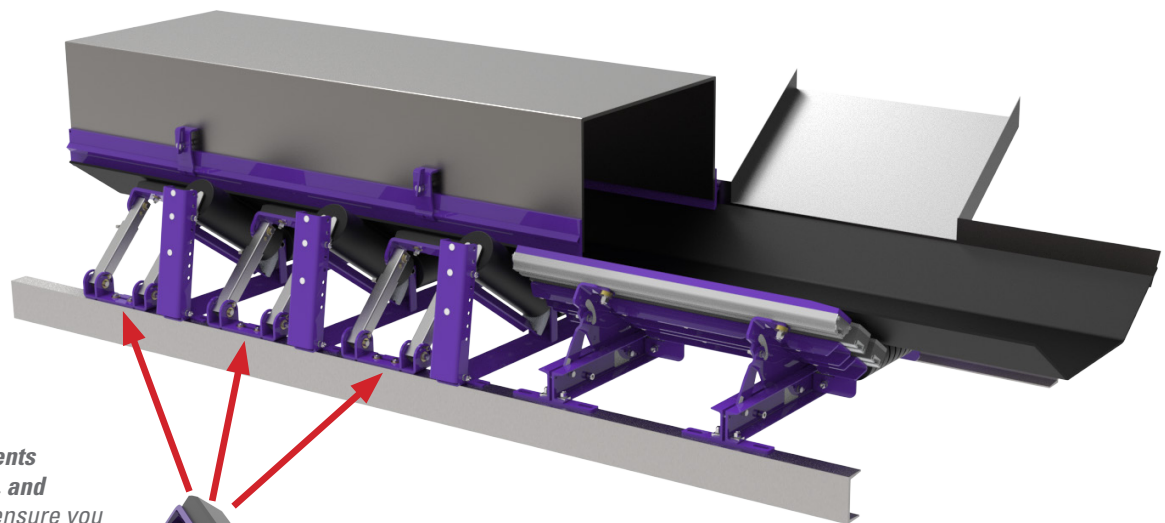


BELT SUPPORT BAR

Support Your Belt at the Load Zone

A sagging belt in between idlers in the load zone could mean that dust is escaping, thus creating a potentially dangerous environment. Additionally, this could lead to uneven wear on the existing skirting, causing the seal on the belt to fail and require frequent adjustments and replacements. The Belt Support Bar (BSB) has been specially engineered to help solve both problems. By supplying support from underneath the belt and in between idlers, the BSB helps to flatten the belt to return your load zone to the sealed position that is needed for a safe and efficient conveyor system.



Versatile adjustments with the base, top, and telescoping tube ensure you flatten the belt exactly where the skirting is installed

Fits anywhere you have idler gaps between 16" to 30" to create a sealing surface

Simple installation by bolt-on or welding to existing conveyor structure



Support from the underside of the belt can help eliminate sag and prevent dust from escaping

Features and Benefits

- **No equipment modification needed.** The Belt Support Bar can fit in between existing idlers, requiring no modification of existing equipment.
- **Modular design.** Telescoping tubing allows for adjustable length and rotating hinges help create the perfect approach and bar angles to fit your load zone setup.
- **Easy to install.** With only four bolts needed to mount a pair of BSBs to your conveyor structure, there is no need to pick up the belt or move idlers.
- **Low maintenance.** The 1" (25mm) UHMW wear bars can last for months and require virtually no adjustment.

BELT SUPPORT BAR

Specifications and Guidelines

Maximum Belt Speed

1000 FPM (5 M/sec)

Temperature Rating

-20 to 180°F (-28 to 82°C)

Horizontal Clearance Required

16 to 30" (406 to 762mm)



Ordering Information

Belt Support Bar				
Size	Ordering Number	Item Code	Weight	
			Lb.	Kg.
1	BSB-1	112918	50.1	22.7
2	BSB-2	112919	52.4	23.8
3	BSB-3	112920	53.6	24.3
4	BSB-4	112921	61.3	27.8
5	BSB-5	112922	67.2	30.5
6	BSB-6	112923	83.5	37.9

Refer to the charts below for correct size.

NOTE: Based on standard width CEMA troughing idler.

NOTE: For Class B or Class F, please contact Flexco.

CEMA Class C

BELT WIDTH		TROUGH ANGLE		
in.	mm	20°	35°	45°
18	450	SIZE 1*	SIZE 1*	SIZE 1*
24	600	SIZE 1	SIZE 1	SIZE 1
30	750	SIZE 1	SIZE 1	SIZE 2
36	900	SIZE 2	SIZE 2	SIZE 3
42	1050	SIZE 3	SIZE 3	SIZE 4
48	1200	SIZE 3	SIZE 4	SIZE 4
54	1350	SIZE 4	SIZE 4	SIZE 4
60	1500	SIZE 4	SIZE 4	SIZE 5

*Mount on the vertical face of the stringer.

CEMA Class D

BELT WIDTH		TROUGH ANGLE		
in.	mm	20°	35°	45°
24	600	SIZE 1	SIZE 1	SIZE 1
30	750	SIZE 1	SIZE 2	SIZE 2
36	900	SIZE 2	SIZE 2	SIZE 3
42	1050	SIZE 3	SIZE 3	SIZE 4
48	1200	SIZE 3	SIZE 4	SIZE 4
54	1350	SIZE 4	SIZE 4	SIZE 4
60	1500	SIZE 4	SIZE 4	SIZE 5
72	1800	SIZE 5	SIZE 5	SIZE 6

CEMA Class E

BELT WIDTH		TROUGH ANGLE		
in.	mm	20°	35°	45°
36	900	SIZE 2	SIZE 3	SIZE 3
42	1050	SIZE 3	SIZE 4	SIZE 4
48	1200	SIZE 4	SIZE 4	SIZE 4
54	1350	SIZE 4	SIZE 4	SIZE 4
60	1500	SIZE 5	SIZE 5	SIZE 5
72	1800	SIZE 5	SIZE 5	SIZE 6
84	2100	SIZE 6	SIZE 6	SIZE 6
96	2400	SIZE 6	SIZE 6	SIZE 6

Visit www.flexco.com for other Flexco locations and products, or to find an authorized distributor.

