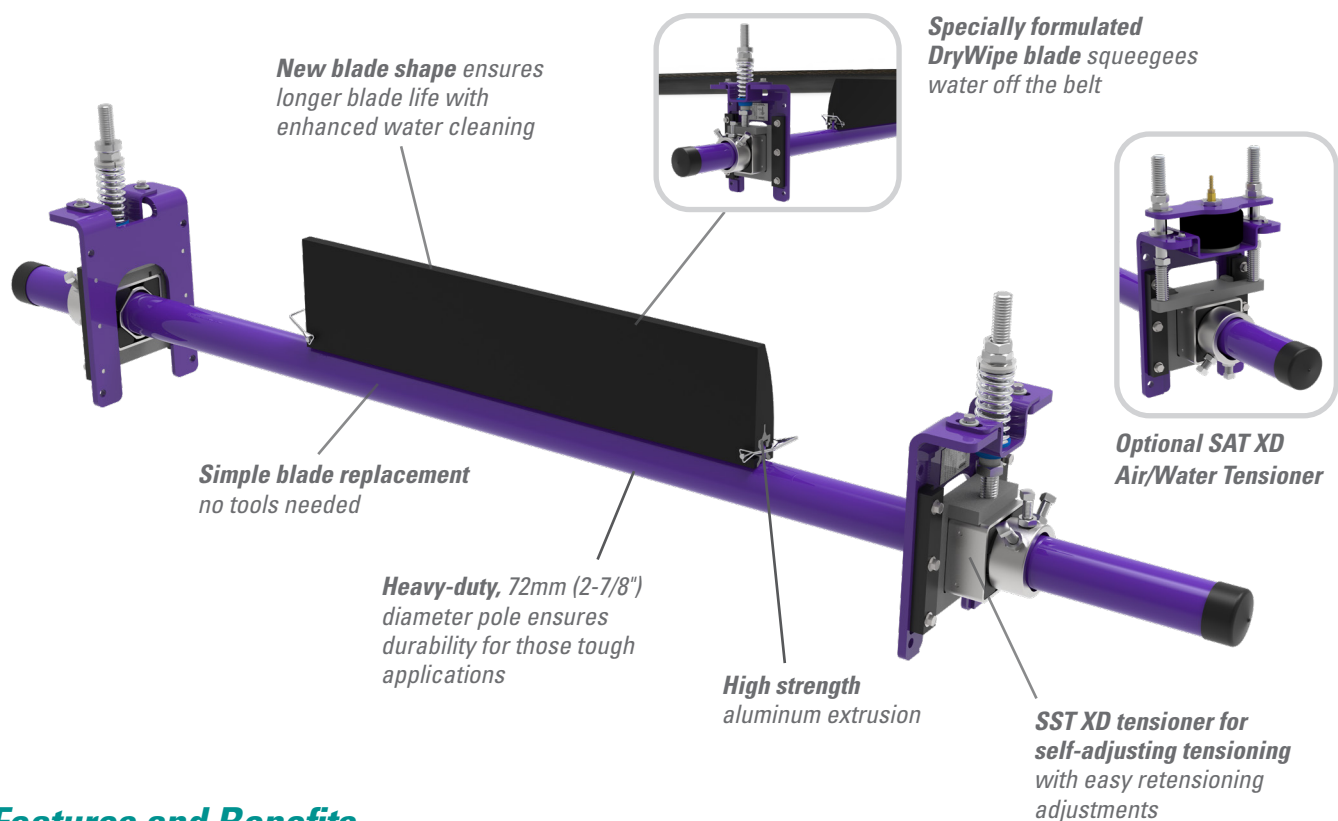


MDWS Heavy-Duty Secondary Belt Cleaner

The Final Step in Belt Cleaning

Many times the belt cleaners on a beltline do a good job of taking off the carryback materials. However, after the last cleaner, there is still water on the belt and that can still cause a big mess along the beltline. The MDWS Secondary Belt Cleaner is designed to be the last cleaner in a cleaning system and wipe the belt dry.



Features and Benefits

- **Long wear life.** Blade has 113mm (4-1/2") of usable urethane.
- **Low maintenance.** Occasionally check for blade wear and measure springs for proper tensioning.
- **Works with mechanical fasteners.** The polyurethane blade easily glides over the mechanical splices and the spring tensioners dampen any impact, allowing the splices to pass without damage to the blade or the splice and with minimal cleaning disruption.
- **Streamlined design.** The MDWS has minimal horizontal surfaces for carryback to build up on. Carryback buildup often renders other secondary cleaners ineffective.
- **Complete cleaning system.** When teamed with a Mineline precleaner and one or more secondary cleaners depending upon the application, the MDWS is the unbeatable final cleaner in a cleaning system that delivers unmatched cleaning performance and efficiency.
- **Made for mining conveyors.** The MDWS comes standard with an extra-long pole (belt width plus 1500mm (60") for cleaners up to 1500mm (60") and belt width plus 1350mm (54") for cleaners over 1500mm (60")), so it can be used on most mining conveyors. It is available for belt widths from 600 to 2400mm (24 to 96").

MDWS Heavy-Duty Secondary Belt Cleaner

Specifications and Guidelines

Maximum Belt Speed

5 M/sec (1000 FPM)

Temperature Rating

-35 to 82°C (-30 to 180°F)

Blade Height

185mm (7-1/4")

Usable Blade Wear Length

113mm (4-1/2")

Blade Material

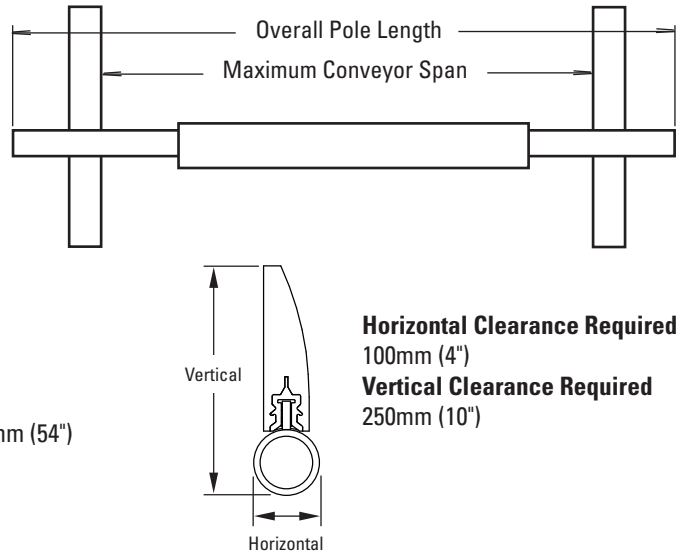
Urethane 59 durometer (softer to squeegee water off)

Available for Belt Widths

600 to 2100mm (24 to 84")

Pole Length Cleaner size up to 1500mm (60") + 1500mm (60")

Maximum Conveyor Span Cleaner size over 1500mm (60") + 1350mm (54")



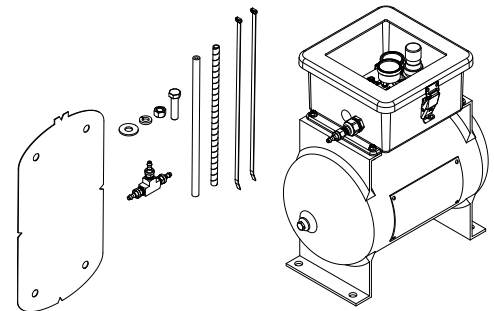
Ordering Information

MDWS Secondary Belt Cleaner w/ SST XD Tensioner					
Belt Width		Ordering Number	Item Code	Weight	
mm	in.			Kg.	Lb.
600	24	MDWS-24	75868	52.2	115.1
750	30	MDWS-30	75869	55.7	122.8
900	36	MDWS-36	75870	58.0	127.8
1050	42	MDWS-42	75871	62.7	138.3
1200	48	MDWS-48	75872	66.6	146.8
1350	54	MDWS-54	75873	70.1	154.5
1500	60	MDWS-60	75874	73.6	162.2
1800	72	MDWS-72	75875	80.6	177.7
2100	84	MDWS-84	76806	87.6	193.2
2400	96	MDWS-96	79063	94.6	208.7

MDWS Secondary Belt Cleaner w/ SAT XD Tensioner					
Belt Width		Ordering Number	Item Code	Weight	
mm	in.			Kg.	Lb.
600	24	MDWS-24P	78745	52.2	115.1
750	30	MDWS-30P	78746	55.7	122.8
900	36	MDWS-36P	78747	58.0	127.8
1050	42	MDWS-42P	78748	62.7	138.3
1200	48	MDWS-48P	78749	66.6	146.8
1350	54	MDWS-54P	78750	70.1	154.5
1500	60	MDWS-60P	78751	73.6	162.2
1800	72	MDWS-72P	78752	80.6	177.7
2100	84	MDWS-84P	78753	87.6	193.2
2400	96	MDWS-96P	79064	94.6	208.7

Replacement ConShear™ DW Blades					
Belt Width		Ordering Number	Item Code	Weight	
mm	in.			Kg.	Lb.
600	24	CDWB24	75884	5.8	12.8
750	30	CDWB30	75885	7.0	15.5
900	36	CDWB36	75886	8.3	18.3
1050	42	CDWB42	75887	9.5	21.0
1200	48	CDWB48	75888	10.8	23.8
1350	54	CDWB54	75889	12.0	26.5
1500	60	CDWB60	75890	13.2	29.2
1800	72	CDWB72	75891	15.7	34.7
2100	84	CDWB84	76942	18.4	40.5
2400	96	CDWB96	79062	21.0	46.3

Control Box/Tank Combo Units for Closed System				
Description	Ordering Number	Item Code	Weight	
			Kg.	Lb.
Control Box/Tank Combo Unit for Precleaner - 60 PSI	PAT-C-60	108230	29.0	64.0
Control Box/Tank Combo Unit for Secondary Cleaner - 100 PSI	PAT-C-100	108231	29.0	64.0



Product Notes

- For use with Cleaners with New PAT systems.
- 150# pop-off valve for safe pressurizing/charging of Air Tank.
- ASME construction tank.
- Fully sealed enclosure includes all critical items - regulator, tank gauge, downstream gauge, schrader valve, in-line filter, downstream valve.

Visit www.flexco.com for other Flexco locations and products, or to find an authorised distributor.

©2023 Flexible Steel Lacing Company. 06-03-24. W1783

