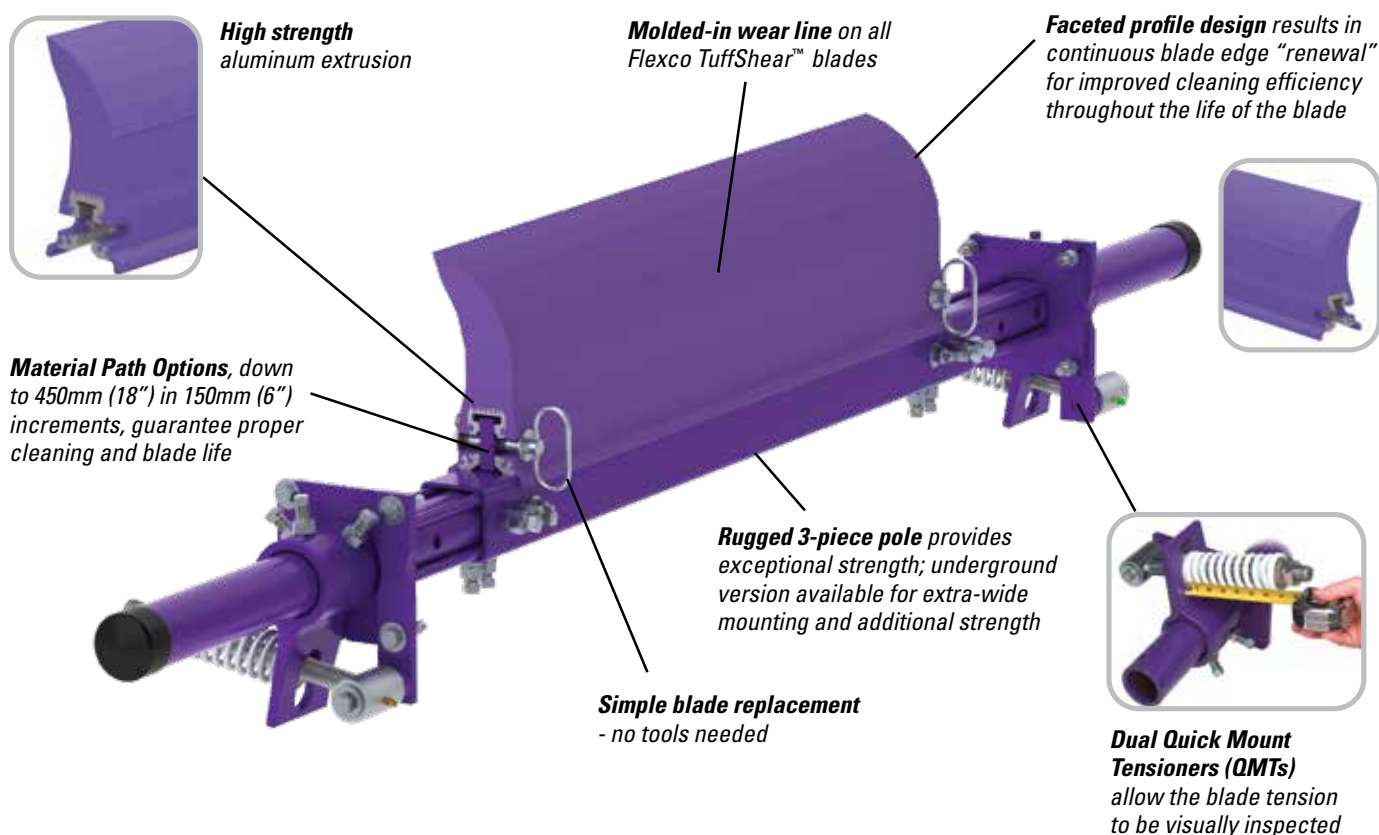




MMP Medium-Duty Precleaner

Extra Cleaning Power for Tough Jobs

The MMP Medium-Duty Precleaner tackles those tough applications where the standard-duty precleaner is not sturdy enough but the heavy-duty cleaner is overkill. The MMP is built tough with a heavy-duty pole, a larger, powerful blade and a beefy dual tensioning system. Yet installation is simple, maintenance is quick, and bottom line – the cleaning job is excellent.



Features and Benefits

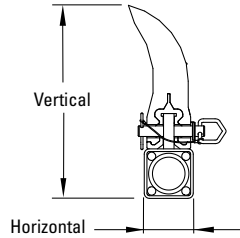
- **Compact and versatile.** Requires only 100mm (4") of horizontal clearance for installation. Pole length is belt width plus 1350mm (54") to fit varying conveyor or chute wall widths. Pole extenders are available for extended length requirements.
- **Works with Flexco and other mechanical splices.** The spring tensioner quickly moves the blade away from the belt when a splice passes. The polyurethane blade easily glides over the splice without damage and with minimal cleaning disruption.
- **Made for mining conveyors.** Made from heavy-duty steel with corrosion-resistant powder coating, the MMP is available for belt widths from 600 to 3000mm (24 to 120"). Special sizes are available upon request.
- **Complete cleaning system.** When teamed with our MHS Secondary Cleaner, it makes up a system that delivers maximum cleaning power. If extra water is present, the MDWS DryWipe can be added.

MMP

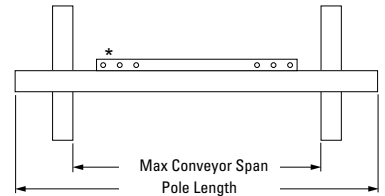
Medium-Duty Precleaner

Specifications and Guidelines

- Maximum Belt Speed**
5 M/sec (1000 FPM)
- Temperature Rating**
-35°C to 82°C (-30°F to 180°F)
- Pulley Diameter**
400 mm (16") min
2400 mm (48") max
- Blade Height**
250 mm (10")
- Usable Blade Wear Length**
150 mm (6")
- Blade Material**
Polyurethane 83 durometer
(proprietary blend for abrasion resistance and long wear)
- Available for Belt Widths**
600 to 3000mm (24 to 120")
- CEMA Cleaner Rating**
Class 4
- Horizontal Clearance Required**
100 mm (4")
- Vertical Clearance Required**
325 mm (13")



- Pole Length**
Cleaner size + 1350 mm (54")
- Maximum Conveyor Span**
Cleaner size + 1050 mm (42")



Ordering Information

MMP Precleaner - Belt Width Minus 150 mm (6")							
Belt Width		Blade Width		MMP w/QMT Tens		MMP w/PAT Tens	
mm	in.	mm	in.	Ordering Number	Item Code	Ordering Number	Item Code
600	24	450	18	MMP-624	76450	MMP-624P	78706
750	30	600	24	MMP-630	76451	MMP-630P	78707
900	36	750	30	MMP-636	76452	MMP-636P	78708
1050	42	900	36	MMP-642	76453	MMP-642P	78709
1200	48	1050	42	MMP-648	76454	MMP-648P	78710
1350	54	1200	48	MMP-654	76455	MMP-654P	78711
1500	60	1350	54	MMP-660	76456	MMP-660P	78712
1800	72	1650	66	MMP-672	76457	MMP-672P	78713
2100	84	1950	78	MMP-684	76798	MMP-684P	78714
2400	96	2250	90	MMP-696	79033	MMP-696P	79037
2700	108	2550	102	MMP-6108	90147	MMP-6108P	90389
3000	120	2850	114	MMP-6120	90148	MMP-6120P	90390

MMP Precleaner - Belt Width Minus 300 mm (12")							
mm	in.	mm	in.	Ordering Number	Item Code	Ordering Number	Item Code
750	30	450	18	MMP-1230	76551	MMP-1230P	78715
900	36	600	24	MMP-1236	76552	MMP-1236P	78716
1050	42	750	30	MMP-1242	76553	MMP-1242P	78717
1200	48	900	36	MMP-1248	76554	MMP-1248P	78718
1350	54	1050	42	MMP-1254	76555	MMP-1254P	78719
1500	60	1200	48	MMP-1260	76556	MMP-1260P	78720
1800	72	1500	60	MMP-1272	76557	MMP-1272P	78721
2100	84	1800	72	MMP-1284	76799	MMP-1284P	78722
2400	96	2100	84	MMP-1296	79034	MMP-1296P	79038
2700	108	2400	96	MMP-12108	90149	MMP-12108P	90391
3000	120	2700	108	MMP-12120	90150	MMP-12120P	90392

Lead time: 1 working day

MMP Precleaner - Belt Width Minus 450mm (18")							
Belt Width		Blade Width		MMP w/QMT Tens		MMP w/PAT Tens	
mm	in.	mm	in.	Ordering Number	Item Code	Ordering Number	Item Code
900	36	450	18	MMP-1836	77575	MMP-1836P	91995
1050	42	600	24	MMP-1842	77576	MMP-1842P	91996
1200	48	750	30	MMP-1848	77577	MMP-1848P	91997
1350	54	900	36	MMP-1854	77578	MMP-1854P	91998
1500	60	1050	42	MMP-1860	77579	MMP-1860P	91999
1800	72	1350	54	MMP-1872	77580	MMP-1872P	92000
2100	84	1650	66	MMP-1884	77581	MMP-1884P	92001
2400	96	1950	78	MMP-1896	79040	MMP-1896P	92002
2700	108	2250	90	MMP-18108	91926	MMP-18108P	92003
3000	120	2550	102	MMP-18120	91927	MMP-18120P	92004

MMP Precleaner - Belt Width Minus 600mm (24")							
mm	in.	mm	in.	Ordering Number	Item Code	Ordering Number	Item Code
1050	42	450	18	MMP-2442	91928	MMP-2442P	92005
1200	48	600	24	MMP-2448	91929	MMP-2448P	92006
1350	54	750	30	MMP-2454	91930	MMP-2454P	92007
1500	60	900	36	MMP-2460	91931	MMP-2460P	92008
1800	72	1200	48	MMP-2472	91932	MMP-2472P	92009
2100	84	1500	60	MMP-2484	91933	MMP-2484P	92010
2400	96	1800	72	MMP-2496	91934	MMP-2496P	92011
2700	108	2100	84	MMP-24108	91935	MMP-24108P	92012
3000	120	2400	96	MMP-24120	91936	MMP-24120P	92013

Lead time: 1 working day

TuffShear™ Replacement Blades															
Blade Width		TuffShear Blades		TuffShear High-Temp Blades		TuffShear Ultra High-Temp Blades		Blade Width		TuffShear Blades		TuffShear High-Temp Blades		TuffShear Ultra High-Temp Blades	
mm	in.	Ordering Number	Item Code	Ordering Number	Item Code	Ordering Number	Item Code	mm	in.	Ordering Number	Item Code	Ordering Number	Item Code	Ordering Number	Item Code
450	18	TRB18	76485	TRB-HT18	78754	TRB-UHT18	91865	1800	72	TRB72	76494	TRB-HT72	78763	TRB-UHT72	91874
600	24	TRB24	76486	TRB-HT24	78755	TRB-UHT24	91866	1950	78	TRB78	76697	TRB-HT78	78764	TRB-UHT78	91875
750	30	TRB30	76487	TRB-HT30	78756	TRB-UHT30	91867	2100	84	TRB84	77047	TRB-HT84	78765	TRB-UHT84	91876
900	36	TRB36	76488	TRB-HT36	78757	TRB-UHT36	91868	2250	90	TRB90	77048	TRB-HT90	78766	TRB-UHT90	91877
1050	42	TRB42	76489	TRB-HT42	78758	TRB-UHT42	91869	2400	96	TRB96	90358	TRB-HT96	92698	TRB-UHT96	92782
1200	48	TRB48	76490	TRB-HT48	78759	TRB-UHT48	91870	2550	102	TRB102	90359	TRB-HT102	92704	TRB-UHT102	92788
1350	54	TRB54	76491	TRB-HT54	78760	TRB-UHT54	91871	2700	108	TRB108	90360	TRB-HT108	92710	TRB-UHT108	92794
1500	60	TRB60	76492	TRB-HT60	78761	TRB-UHT60	91872	2850	114	TRB114	90361	TRB-HT114	92716	TRB-UHT114	92800
1650	66	TRB66	76493	TRB-HT66	78762	TRB-UHT66	91873								

Visit www.flexco.com for other Flexco locations and products, or to find an authorized distributor.

©2022 Flexible Steel Lacing Company. 07/11/2023. W1709

