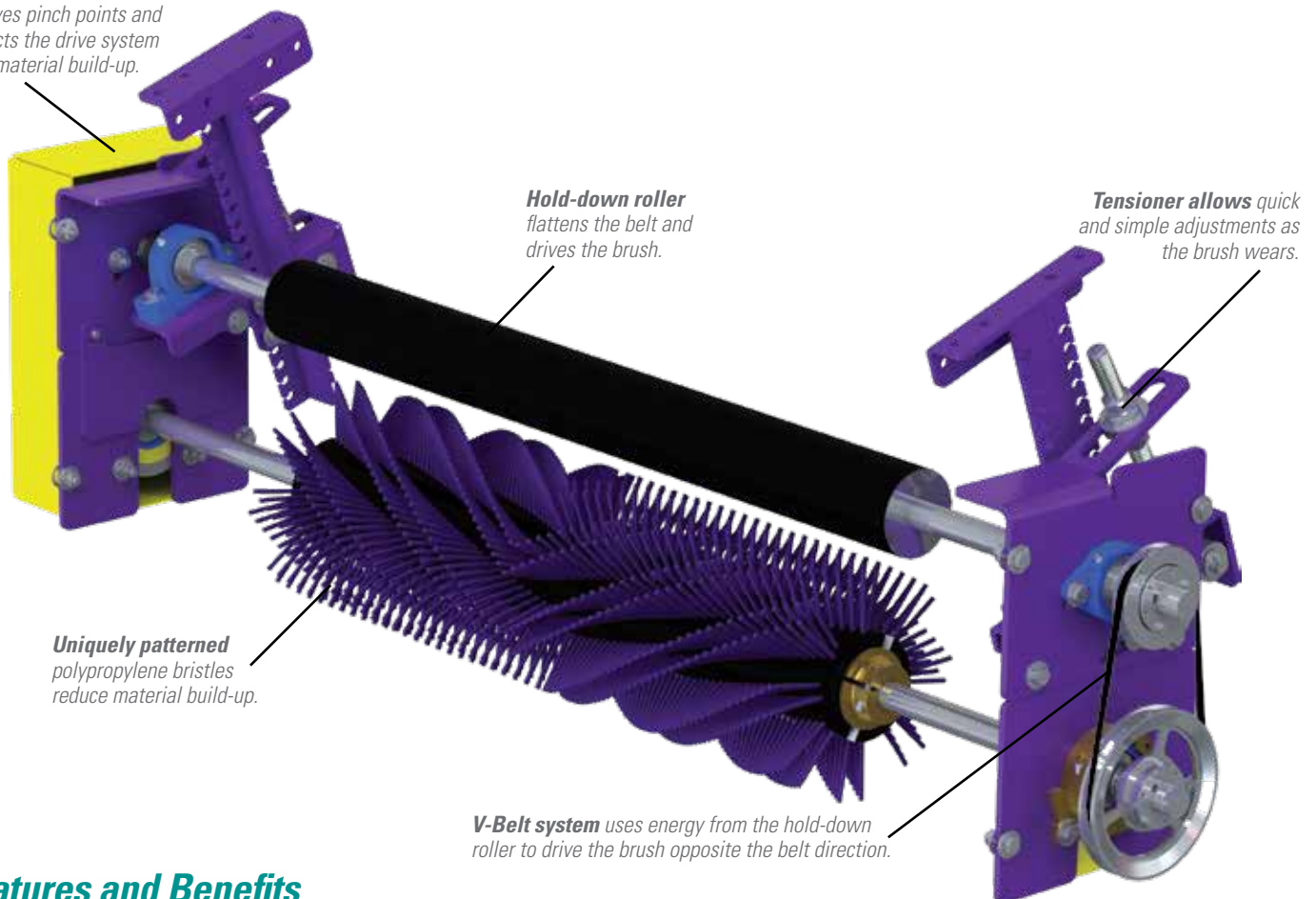


BELT-DRIVEN BRUSH CLEANER

Power-Free, Self-Driven Cleaner for Chevron, Cleated, and Raised-Rib Belts

Belts with any surface pattern are notoriously difficult to clean. Passive brushes only knock off the large debris and motorized versions require electrical installation and controls. The Belt-Driven Brush Cleaner provides a unique alternative - a brush that spins against the belt direction to provide a better clean and drive itself off the conveyor belt using a hold-down roller and v-belt system.

Protective enclosure
removes pinch points and
protects the drive system
from material build-up.



Hold-down roller
flattens the belt and
drives the brush.

Tensioner allows quick
and simple adjustments as
the brush wears.

Uniquely patterned
polypropylene bristles
reduce material build-up.

V-Belt system uses energy from the hold-down
roller to drive the brush opposite the belt direction.

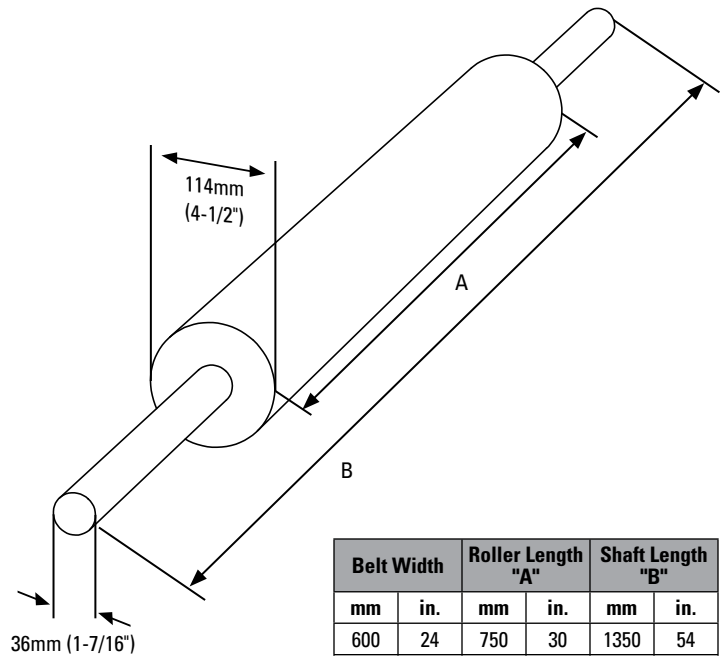
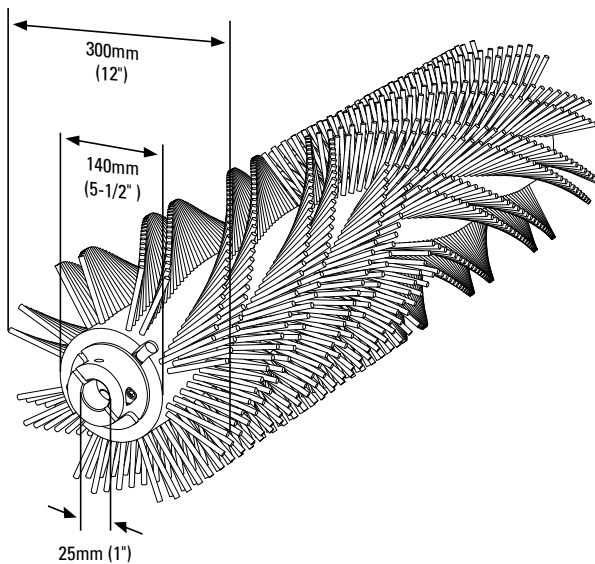
Features and Benefits

- **Self-drive system.** The assembly provides an all-in-one system that uses belt energy to drive the cleaner.
- **Maximum Cleaning.** Spins opposite the belt direction for optimal belt cleaning.
- **Uniquely patterned bristles.** Aids in reducing material buildup and clogging.
- **Adjustable Tensioners.** Allows easy brush-to-belt adjustment as the bristles wear.
- **Works on mechanically spliced or vulcanized belts.**

BELT-DRIVEN BRUSH CLEANER

Specifications and Guidelines

Belt Speed	Up to 3.5 m/s (700 fpm)
Vertical Clearance	622mm (24.5")
Horizontal Clearance	720mm (28.38")
Temperature Range	-30°C to 82°C (-20°F to 180°F)
Maximum Chevron or Cleat Height	13mm (1/2")
Bristle Length	83mm (3-1/4")
Overall Diameter	305mm (12")
Shaft Length (Brush and Roller)	Belt Width plus 1067mm (42")
Shaft Diameter	25mm (1")
CEMA Cleaner Rating	Class 4



Ordering Information

Belt Driven Brush Cleaner				
Belt Width		Ordering Number	Item Code	Wt. Kgs.
mm	in.			
600	24	BDBC-24	93119	150.4
750	30	BDBC-30	93120	158.3
900	36	BDBC-36	93121	166.1
1050	42	BDBC-42	93122	173.7
1200	48	BDBC-48	93123	181.4
1350	54	BDBC-54	93124	189.3
1500	60	BDBC-60	93125	197.0
1800	72	BDBC-72	93126	212.7

Lead time: 1 working day

Replacement Brushes	
Ordering Number	Item Code
MBRD-24	79515
MBRD-30	79516
MBRD-36	79517
MBRD-42	79518
MBRD-48	79519
MBRD-54	79520
MBRD-60	79521
MBRD-72	79522

Belt Width		Roller Length "A"		Shaft Length "B"	
mm	in.	mm	in.	mm	in.
600	24	750	30	1350	54
750	30	900	36	1500	60
900	36	1050	42	1650	66
1050	42	1200	48	1800	72
1200	48	1350	54	1950	78
1350	54	1500	60	2100	84
1500	60	1650	66	2250	90
1800	72	1950	78	2550	102

Authorized Distributor:

Flexco (Aust.) Pty. Ltd • 10 Solent Circuit, Norwest • NSW, Australia, 2153 • Australia
Tel: 612-8818-2000 • Fax: 612-8824-6333 • E-mail: salesau@flexco.com

Visit www.flexco.com for other Flexco locations and products.

©2023 Flexible Steel Lacing Company. 02/16/23. For reorder: W1578

