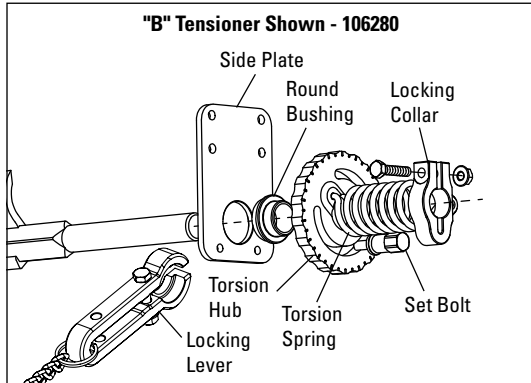


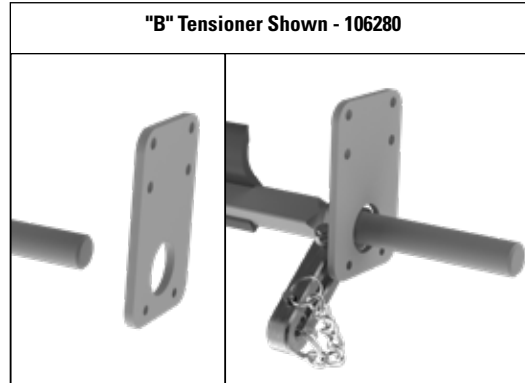
# Food Grade Locking Lever (Kit 104675)

## Instructions for Installation

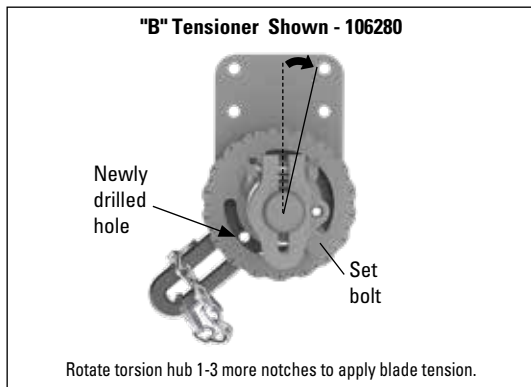
Reference Food Grade Secondary IOM (X6056) and/or Food Grade Primary with External Spring IOM (103689) for full cleaner installation details. This sheet is only to guide the retrofit installation of the optional Locking Lever onto an existing cleaner installation.



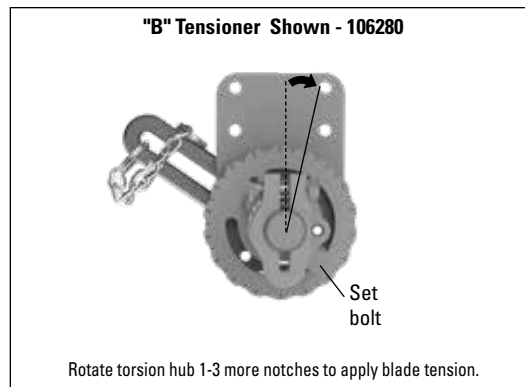
1. Carefully loosen and remove the tensioner set bolt, then loosen the locking collar and remove the tensioner unit from the cleaner.



2. Slide the cleaner pole until the round end is inside the side plate, slide the Locking Lever onto the pole, then re-insert the pole through the side plate. Do not tighten the Lever clamp bolt.



3. Set the torsion in the tensioner per the cleaner IOM, X6056 for FGS or 103689 for FGP-ES. After setting the pre-tension but before tightening the Lever clamp bolt, determine the Lever position when the blade is held away from the belt. Drill out one of the M8 threaded holes using a 5/16" (8mm) diameter drill in the Side Plate aligned with the slot of the Locking Lever.



4. Position lever in accessible position roughly 30° from the new hole in the direction of the pre-tension and tighten Locking Lever clamp bolt. Ensure Locking Lever is tight on the cleaner shaft. Operate Lever to move blade away from belt and lock in place by setting the provided pin through the Lever slot and 5/16" (8mm) hole. Test run the conveyor per the cleaner IOM.