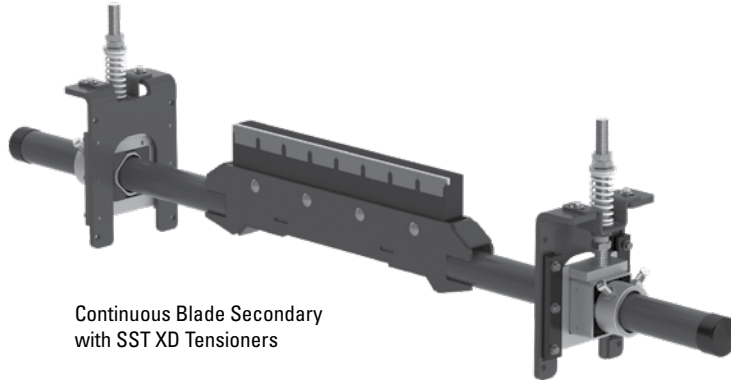
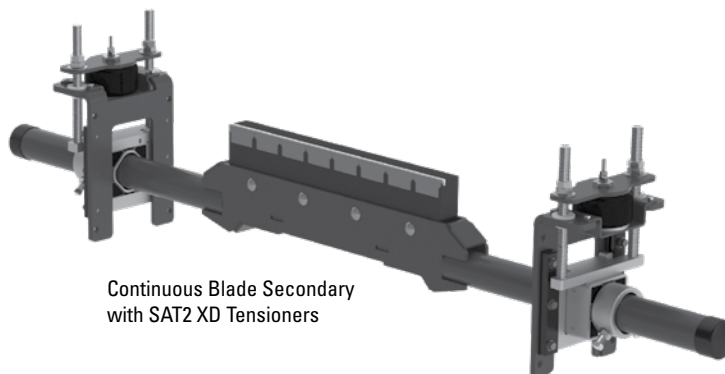


Flexco Continuous Blade Secondary Belt Cleaner

Installation Instructions



Continuous Blade Secondary
with SST XD Tensioners



Continuous Blade Secondary
with SAT2 XD Tensioners

CBS Secondary Cleaner

Serial Number: _____
Purchase Date: _____
Purchased From: _____
Installation Date: _____

Serial number information can be found on the Serial Number Label included in the Information Packet found in the cleaner carton.

This information will be helpful for any future inquiries or questions about belt cleaner replacement parts, specifications or troubleshooting.

Table of Contents

Section 1 - Important Information	4
1.1 General Introduction.....	4
1.2 User Benefits	4
1.3 Service Option.....	4
Section 2 - Safety Considerations and Precautions	5
2.1 Stationary Conveyors.....	5
2.2 Operating Conveyors.....	5
Section 3 - Pre-Installation Checks and Options.....	6
3.1 Checklist.....	6
3.2 Optional Installation Accessories.....	7
Section 4 - Installation Instructions.....	8
4.1 Installation Instructions - CBS with SST XD or SAT XD Tensioner.....	8
4.2 Push-up Tensioning Instructions (SST XD).....	10
4.3 Push-up Tensioning Instructions (SAT XD)	11
Section 5 - Pre-Operation Checklist and Testing.....	12
5.1 Pre-Op Checklist.....	12
5.2 Test Run the Conveyor	12
Section 6 - Maintenance.....	13
6.1 New Installation Inspection.....	13
6.2 Routine Visual Inspection.....	13
6.3 Routine Physical Inspection	13
6.4 Maintenance Log.....	14
6.5 Cleaner Maintenance Checklist.....	15
Section 7 - Troubleshooting	16
Section 8 - Specs and CAD Drawings.....	17
8.1 Specs and Guidelines	17
8.2 CAD Drawing - CBS Cleaners with SST XD Tensioners.....	18
8.3 CAD Drawing - CBS Cleaners with SAT XD Tensioners	19
Section 9 - Replacement Parts	20
9.1 Replacement Parts List	20
Section 10 - Other Flexco Conveyor Products.....	21

Section 1 - Important Information

1.1 General Introduction

We at Flexco are very pleased that you have selected a CBS Secondary Cleaner for your conveyor system.

This manual will help you to understand the operation of this product and assist you in making it work up to its maximum efficiency over its lifetime of service.

It is essential for safe and efficient operation that the information and guidelines presented be properly understood and implemented. This manual will provide safety precautions, installation instructions, maintenance procedures and troubleshooting tips.

If, however, you have any questions or problems that are not covered, please contact your field representative or our Customer Service Department:

Customer Service: USA: 1-800-541-8028

Visit www.flexco.com for other Flexco locations and products.

Please read this manual thoroughly and pass it on to any others who will be directly responsible for installation, operation and maintenance of this cleaner. While we have tried to make the installation and service tasks as easy and simple as possible, **it does however require correct installation and regular inspections and adjustments to maintain top working condition.**

1.2 User Benefits

Correct installation and regular maintenance will provide the following benefits for your operation:

- Reduced conveyor downtime
- Reduced man-hour labor
- Lower maintenance budget costs
- Increased service life for the belt cleaner and other conveyor components

1.3 Service Option

The CBS Secondary Cleaner is designed to be easily installed and serviced by your on-site personnel. However, if you would prefer complete turn-key factory service, please contact your local Flexco Field Representative.

Section 2 - Safety Considerations and Precautions

Before installing and operating the CBS Secondary Cleaner, it is important to review and understand the following safety information.

There are set-up, maintenance and operational activities involving both **stationary** and **operating** conveyors. Each case has a safety protocol.

2.1 Stationary Conveyors

The following activities are performed on stationary conveyors:

- Installation
- Blade replacement
- Repairs
- Tension adjustments
- Cleaning

DANGER

It is imperative that OSHA/MSHA Lockout/Tagout (LOTO) regulations, 29 CFR 1910.147, be followed before undertaking the preceding activities. Failure to use LOTO exposes workers to uncontrolled behavior of the belt cleaner caused by movement of the conveyor belt. Severe injury or death can result.

Before working:

- Lockout/Tagout the conveyor power source
- Disengage any takeups
- Clear the conveyor belt or clamp securely in place

WARNING

Use Personal Protective Equipment (PPE):

- Safety eyewear
- Hardhats
- Safety footwear

Close quarters, springs and heavy components create a worksite that compromises a worker's eyes, feet and skull.

PPE must be worn to control the foreseeable hazards associated with conveyor belt cleaners. Serious injuries can be avoided.

2.2 Operating Conveyors

There are two routine tasks that must be performed while the conveyor is running:

- Inspection of the cleaning performance
- Dynamic troubleshooting

DANGER

Every belt cleaner is an in-running nip hazard. Never touch or prod an operating cleaner. Cleaner hazards cause instantaneous amputation and entrapment.

WARNING

Belt cleaners can become projectile hazards. Stay as far from the cleaner as practical and use safety eyewear and headgear. Missiles can inflict serious injury.

WARNING

Never adjust anything on an operating cleaner. Unforseeable belt projections and tears can catch on cleaners and cause violent movements of the cleaner structure. Flailing hardware can cause serious injury or death.

Section 3 - Pre-installation Checks and Options

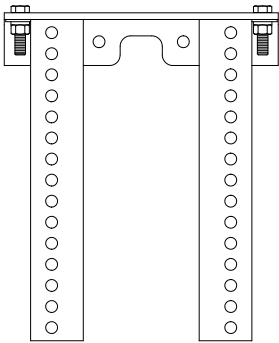
3.1 Checklist

- Check that the cleaner size is correct for the beltline width
- Check the belt cleaner carton and make sure all the parts are included
- Review the “Tools Needed” list on the top of the installation instructions
- Check the conveyor site:
 - Will the cleaner be installed on a chute
 - Is the install on an open head pulley requiring mounting structure (see 3.2 - Optional Installation Accessories)

Section 3 - Pre-installation Checks and Options

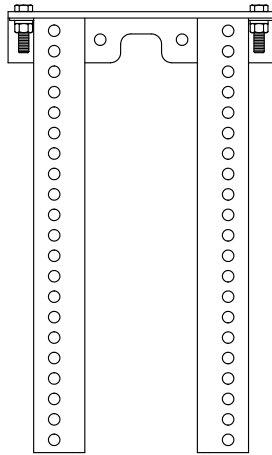
3.2 Optional Installation Accessories

Versatile, adjustable brackets that can be mounted on the conveyor structure so the MHS HD Secondary Cleaner can be quickly and easily bolted into place. Pole extenders are also available for wide, non-standard conveyor structures.



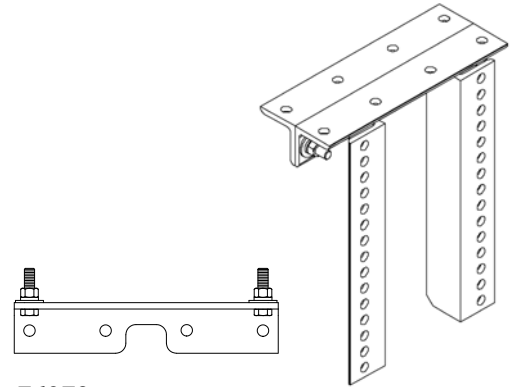
76071
SST Standard
Mounting Bracket Kit
(for SST Tensioner)

- For most secondary cleaner installs.
- 325mm W x 388mm L



76072
SST Long
Mounting Bracket Kit
(for SST Tensioner)

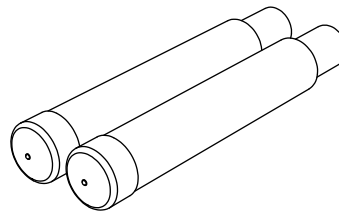
- For installations that require extra length legs.
- 325mm W x 538mm L



76073
SST Optional Top Angle Kit
(for SST Tensioner)

- Used with both standard and long mounting bracket kits for additional mounting options.
- 325mm L

76024
Pole Extender Kit (includes 2 pole extenders)
 • For cleaner sizes 1800mm and larger
 • Provides 750mm of extended pole length

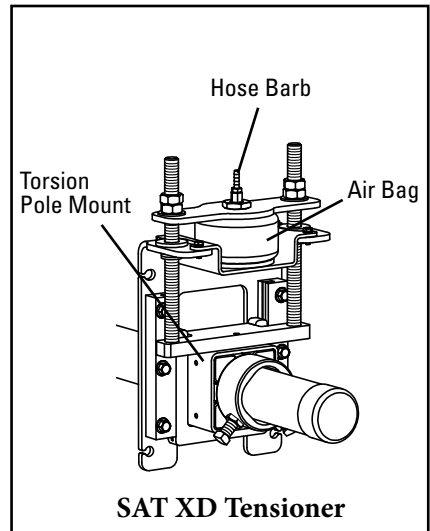
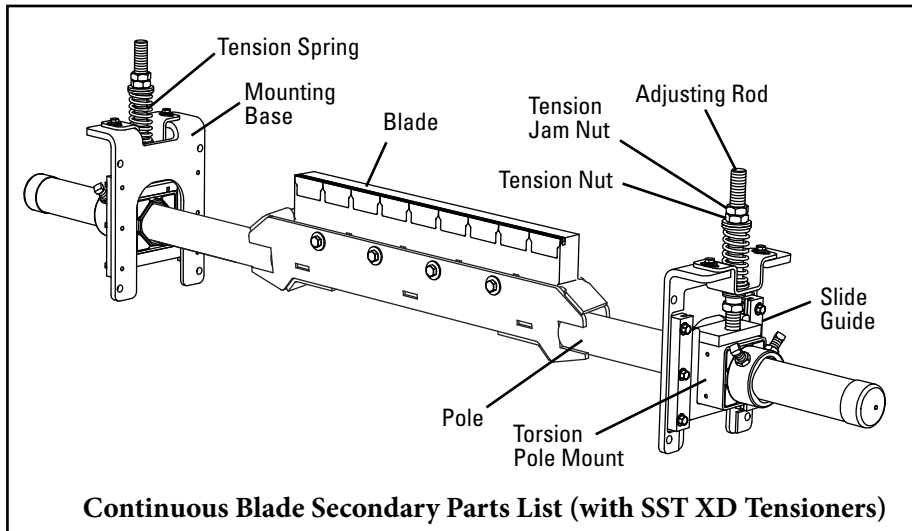


Optional Mounting Kits (includes 2 brackets/bars)			
Description	Ordering Number	Item Code	Wt. Kg.
Standard Mounting Bracket Kit *	SSTSMB	76071	15.6
Long Mounting Bracket Kit *	SSTLMB	76072	19.7
Optional Top Angle Kit *	SSTOTA	76073	4.8
Pole Extender Kit	MAPEK	76024	9.9

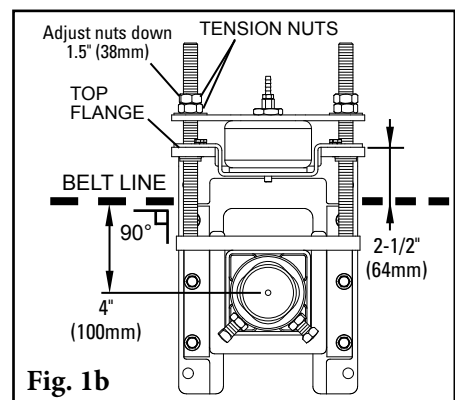
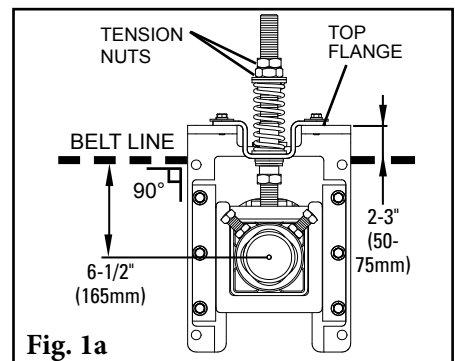
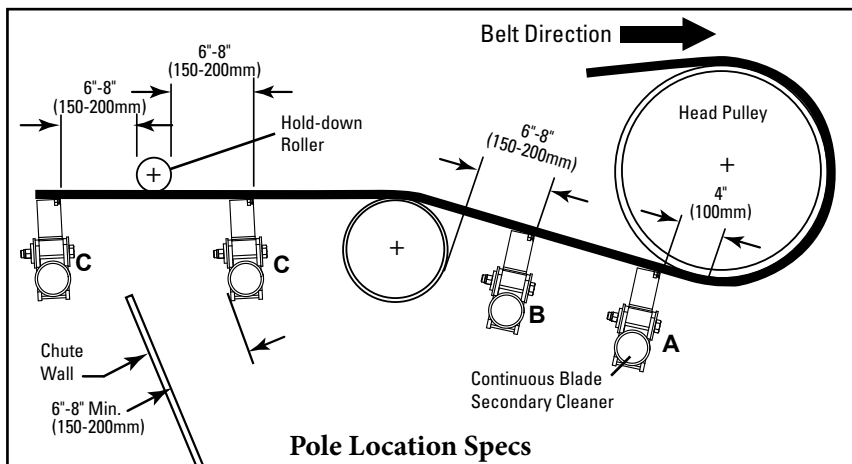
*Hardware Included
 Lead time: 1 working day

Section 4 - Installation Instructions

4.1 Continuous Blade Secondary Cleaner



Physically lock out and tag the conveyor at the power source before you begin cleaner installation.

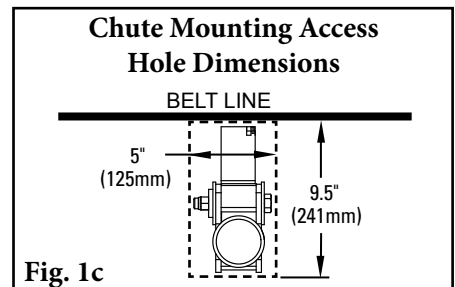


1. Install the mounting bases.

1a. Spring tensioner mounting bases: (For push-up tensioning refer to additional instructions on Page 10.) Clamp one mounting base into position so the top flange of the base is 50-75mm above the belt. Bolt or weld the mounting base in place. Locate and install the mounting base on the opposite side. Adjust the tension nuts on each side so the center of the torsion pole mount is 165mm below the belt line (Fig. 1a).

1b. Air/water tensioner mounting bases: Clamp one mounting base into position so the top flange of the base is 64mm above the belt. Bolt or weld the mounting base in place and adjust threaded rod nuts 38mm down from top of threaded rods (Fig. 1b). Repeat on opposite side.

NOTE: For chute mounting, a belt location line must be drawn on the chute wall so the mounting base can be aligned with the belt. Cut access holes as needed (Fig. 1c).



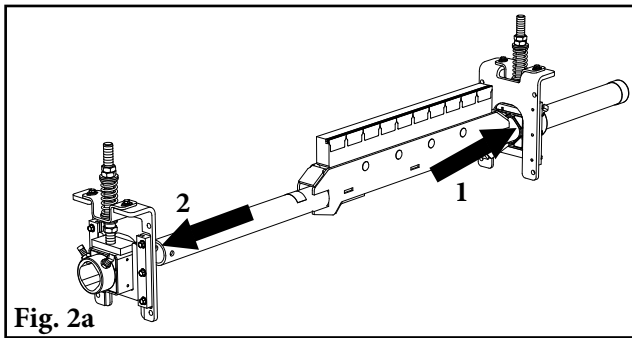


Fig. 2a

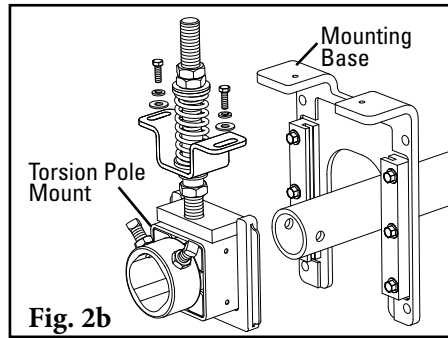


Fig. 2b

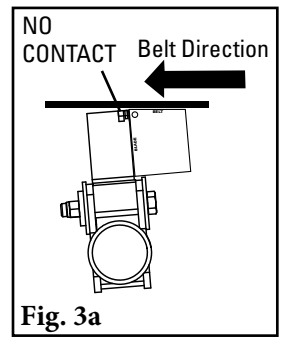


Fig. 3a

2. **Install the pole.** Slide the pole into one torsion pole mount as far as needed and locate the other end into the opposite mount (Fig. 2a). If there is not enough space, remove one of the torsion pole mounts from the mounting base, slide the pole through the mounting base and reassemble (Fig. 2b).

3. **Set the blade angle.** Center the pole/blades on the belt. Rotate the pole until the blade lays back 5° using the setup gauge provided (Fig. 3a). Tighten the two locking bolts on each torsion pole mount to lock the pole in place (Fig. 3b). There should be no blade-to-belt contact while locking the pole in the correct position. If contact occurs, double-check the dimension from Step 1. **NOTE:** For optimal cleaning performance, it is recommended that mechanical fasteners on the belt be skived.

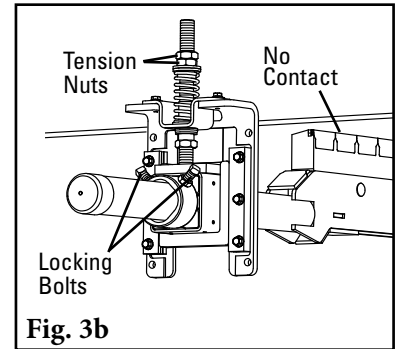


Fig. 3b

4. **Set the blade tension.**

4a. **Spring Tensioner:** Loosen the top tension jam nuts on both sides. Turn the tension nuts until the correct spring compression is reached (Fig. 4a). Spring compression is determined by spring length. See the chart at right for the correct spring length for your belt width.

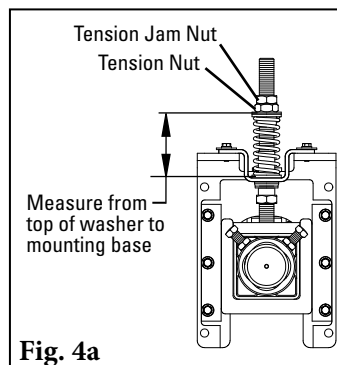


Fig. 4a

Measure from the top of flat washer to the mounting base to determine spring length.

SST XD Tensioner Spring Length Chart

Blade Width	White Spring	Silver Spring	Black Spring	Gold Spring
450	86	102	N/A	N/A
600	79	98	N/A	N/A
750	73	95	N/A	N/A
900	N/A	95	98	N/A
1050	N/A	92	95	N/A
1200	N/A	89	92	N/A
1350	N/A	86	92	95
1500	N/A	83	89	95
1800	N/A	N/A	86	92
2100	N/A	N/A	79	89
2400	N/A	N/A	N/A	86

Shading indicates preferred spring option.

4b. **Air Tensioner:** With the parts supplied, attach a line to each air bag and run the lines to the outlet side of the control box (Fig. 4b). **NOTE:** Be sure lines are safely away from the belt. Connect the line from the inlet side of the box to the site's supply or air tank. Test the connections for leaks and set the pressure per the chart at right. Pressure may be reduced to suit application. See the chart at right for the correct air pressure for your belt width.

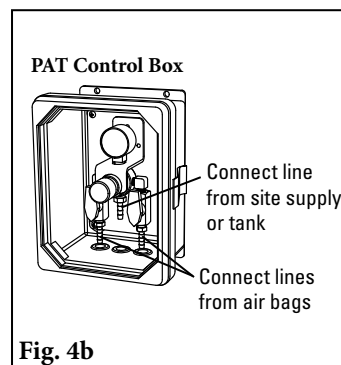


Fig. 4b

SAT XD Tensioner Pressure Chart

Blade Width	Blades	Pressure
		kPa
mm		
450	3	103
600	4	131
750	5	159
900	6	186
1050	7	214
1200	8	241
1350	9	269
1500	10	296
1800	12	352
2100	14	407
2400	16	462

5. **Set adjusting rod sleeve (Spring Tensioner only).** After setting the blade tension, screw the adjusting rod sleeve into the UHMW bushing until 38mm is showing (Fig. 5). Tighten the adjusting rod sleeve jam nut.

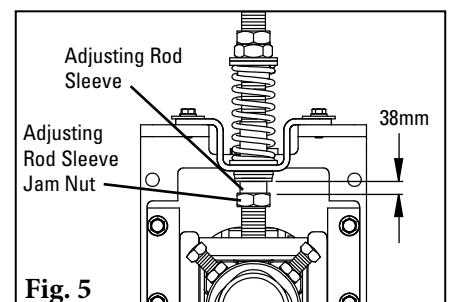


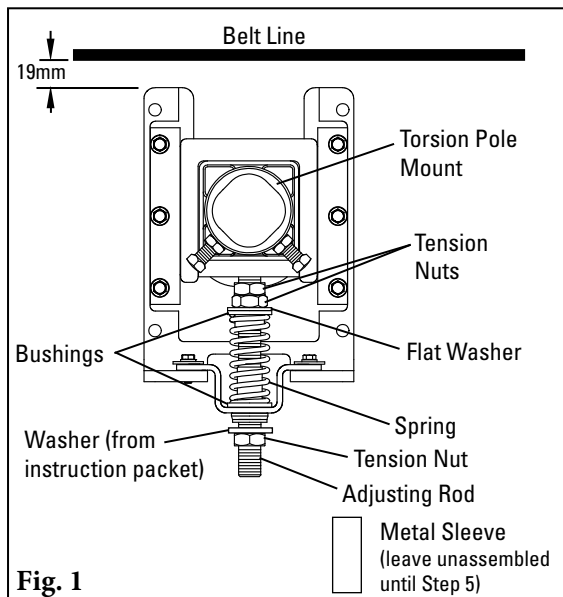
Fig. 5

6. **Test run the cleaner and inspect the cleaning performance.** If vibration occurs or more cleaning efficiency is desired, increase the blade tension by making 3mm compression adjustments on the tension springs. If vibration occurs on cleaner with air tensioner, increase blade layback.

Push-up Tensioning Instructions

CBS with SST XD Tensioners

To change the SST XD Tensioner to Push-up configuration, follow these steps:



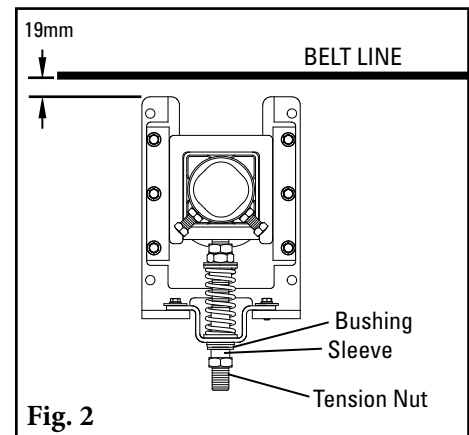
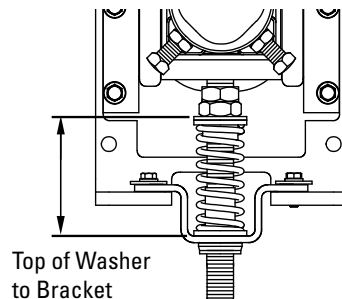
- 1. Reconfigure the standard pull-up tensioner to the push-up style.** Remove the 3 tension nuts, flat washer, 2 bushings, spring, sleeve and hat bracket; reassemble (Fig. 1) with 2 tension nuts, flat washer, 2 bushings, spring and hat bracket on upper end of adjusting rod. Add washer (from instruction packet) and third tension nut to bottom of adjusting rod.
- 2. Install the tensioner mounting bases.** Mount the bases to the structure or chute so that the tops of the base legs are 19mm below the belt (Fig. 1).
- 3. Install the cleaner pole and set the blade angle.** Follow the installation steps from the cleaner instructions on Page 2. **Note:** be sure the lock bolts on the torsion pole mount have been securely tightened to lock the pole in place before moving to Step 4.
- 4. Set the blade tension.** Remove the bottom tension nut and washer from the adjusting rod. Turn the two upper tension nuts until the spring is compressed to the length shown on the Spring Length Chart below. Tighten the two tension nuts together to prevent loosening.

SST XD Tensioner Spring Length Chart

Blade Width	White Spring	Silver Spring	Black Spring	Gold Spring
450	86	102	N/A	N/A
600	79	98	N/A	N/A
750	73	95	N/A	N/A
900	N/A	95	98	N/A
1050	N/A	92	95	N/A
1200	N/A	89	92	N/A
1350	N/A	86	92	95
1500	N/A	83	89	95
1800	N/A	N/A	86	92
2100	N/A	N/A	79	89
2400	N/A	N/A	N/A	86

Shading indicates preferred spring option.

NOTE: Measure from the top of the flat washer to the mounting base to determine spring length.



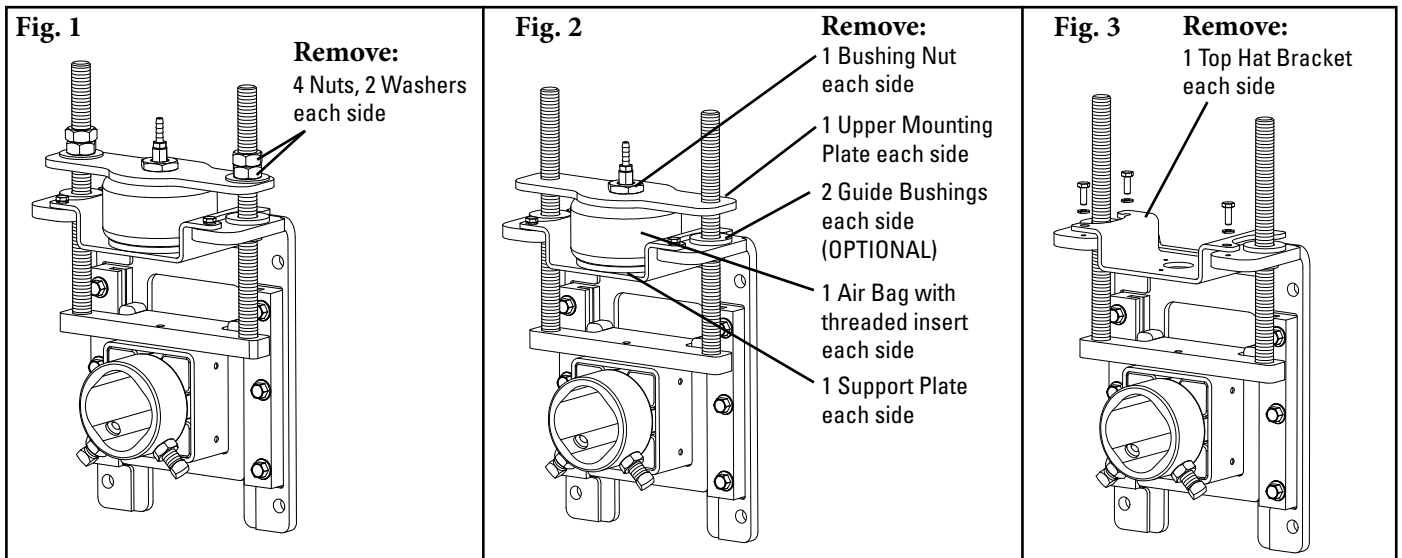
- 5. Replace the sleeve.** Position the sleeve over the adjusting rod and turn it until it is in the middle of the bushing. Replace the bottom tension nut and tighten until it locks the sleeve in place (Fig. 2).

Push-up Tensioning Instructions

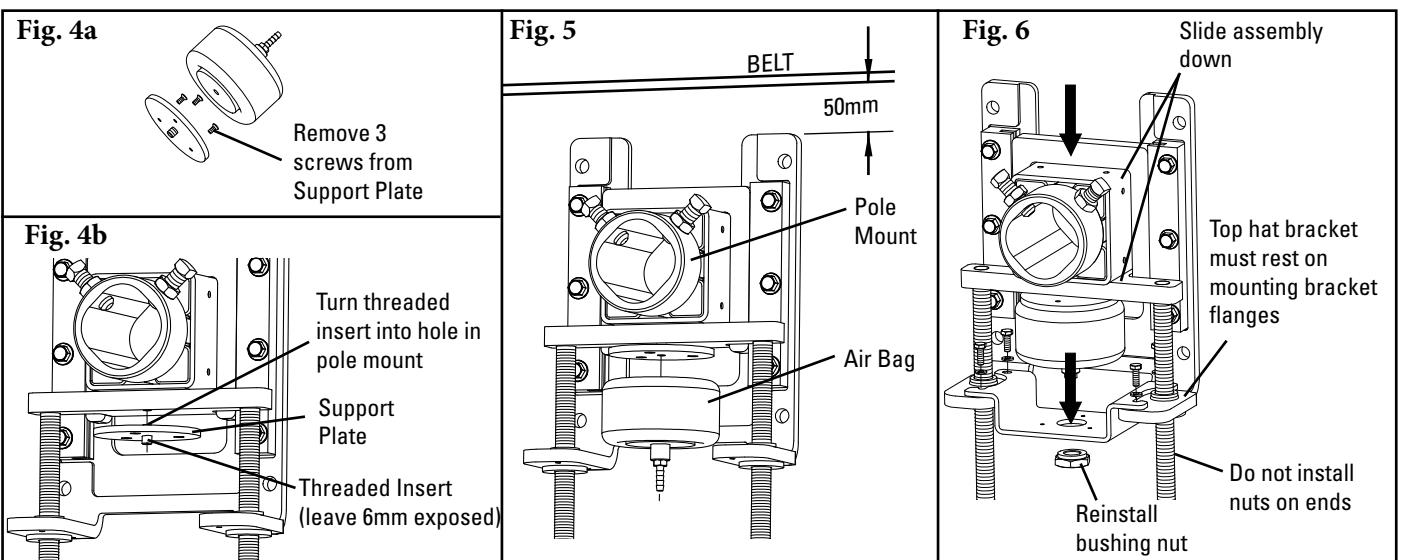
CBS with SAT XD Tensioners

To change the SAT XD Tensioner to Push-up configuration, follow these steps:

1. **Disassemble guide kit.** Remove nuts and washers from both sides of tensioner (Fig. 1).
2. **Disassemble upper mounting plate and air bag.** Remove and save bushing nut. Remove and discard upper mounting plate. Remove (unscrew) and save air bag, threaded insert and support plate (Fig. 2). **Optional:** Remove guide bushings. It will not affect the tensioner if these are left in place.
3. **Remove and save top hat bracket and its hardware** (Fig. 3).
4. **Flip over PAT mounting bracket assembly.** The two flanges are now at the bottom.



5. **Reassemble the SAT XD Tensioner.** Remove three screws from air bag support plate (Fig. 4a). Turn the threaded insert into the support plate. Also turn part of the threaded insert into the hole on pole mount. (Fig. 4b). Ensure 6mm of threaded insert is still exposed, then turn the air bag onto the threaded insert and tighten (Fig. 5).
6. **Reassemble top hat bracket.** Ensure bracket is resting on flanges of mounting bracket (Fig. 6).
7. **Slide pole mount/threaded rods/air bag assembly down** with hose barb through hole in top hat bracket and reinstall bushing nut (Fig. 6).
8. **Complete installation** by following the steps on page 9.



Section 5 - Pre-Operation Checklist and Testing

5.1 Pre-Op Checklist

- Recheck that all fasteners are tightened properly
- Add pole caps
- Apply all supplied labels to the cleaner
- Check the blade location on the belt
- Be sure that all installation materials and tools have been removed from the belt and the conveyor area

5.2 Test Run the Conveyor

- Run the conveyor for at least 15 minutes and inspect the cleaning performance
- Check the tensioner spring for recommended length (proper tensioning)
- Make adjustments as necessary

NOTE: Observing the cleaner when it is running and performing properly will help to detect problems or when adjustments are needed later.

Section 6 - Maintenance

Flexco belt cleaners are designed to operate with minimum maintenance. However, to maintain superior performance some service is required. When the cleaner is installed a regular maintenance program should be set up. This program will ensure that the cleaner operates at optimal efficiency and problems can be identified and fixed before the cleaner stops working.

All safety procedures for inspection of equipment (stationary or operating) must be observed. The CBS Belt Cleaner operates at the discharge end of the conveyor and is in direct contact with the moving belt. Only visual observations can be made while the belt is running. Service tasks can be done only with the conveyor stopped and by observing the correct lockout/tagout procedures.

6.1 New Installation Inspection

After the new cleaner has run for a few days a visual inspection should be made to ensure the cleaner is performing properly. Make adjustments as needed.

6.2 Routine Visual Inspection (every 2-4 weeks)

A visual inspection of the cleaner and belt should look for:

- If spring length is the correct length for optimal tensioning
- If belt looks clean or if there are areas that are dirty
- If blade is worn out and needs to be replaced
- If there is damage to the blade or other cleaner components
- If fugitive material is built up on cleaner or in the transfer area
- If there is cover damage to the belt
- If there is vibration or bouncing of the cleaner on the belt
- If a snub pulley is used, a check should be made for material buildup on the pulley
- Significant signs of carryback

If any of the above conditions exist, a determination should be made on when the conveyor can be stopped for cleaner maintenance.

6.3 Routine Physical Inspection (every 6-8 weeks)

When the conveyor is not in operation and properly locked and tagged out, a physical inspection of the cleaner to perform the following tasks:

- Clean material buildup off of the cleaner blade and pole
- Closely inspect the blade for wear and any damage. Replace if needed.
- Ensure full blade to belt contact
- Inspect the cleaner pole for damage
- Inspect all fasteners for tightness and wear. Tighten or replace as needed.
- Replace any worn or damaged components
- Check the tension of the cleaner blade to the belt. Adjust the tension if necessary using the chart on the cleaner or the ones on Page 9 (SST spring tensioner or SAT2 air tensioner).
- When maintenance tasks are completed, test run the conveyor to ensure the cleaner is performing properly

Section 6 - Maintenance

6.4 Maintenance Log

Conveyor Name/No. _____

Date: _____ Work done by: _____ Service Quote # _____

Activity: _____

Date: _____ Work done by: _____ Service Quote # _____

Activity: _____

Date: _____ Work done by: _____ Service Quote # _____

Activity: _____

Date: _____ Work done by: _____ Service Quote # _____

Activity: _____

Date: _____ Work done by: _____ Service Quote # _____

Activity: _____

Date: _____ Work done by: _____ Service Quote # _____

Activity: _____

Date: _____ Work done by: _____ Service Quote # _____

Activity: _____

Section 6 - Maintenance

6.5 Cleaner Maintenance Checklist

Belt Cleaner: _____ Serial Number: _____

Beltline Information:

Beltline Number: _____ Belt Condition: _____

Belt Width: 450mm 600mm 750mm 900mm 1050mm 1200mm 1350mm 1500mm 1800mm 2100mm 2400mm

Belt Speed: _____ fpm Belt Thickness: _____

Belt Splice _____ Condition of Splice _____ Number of splices _____ Skived* Unskived

* It is recommended that mechanical fasteners on the belt be skived.

Material conveyed _____

Days per week run _____ Hours per day run _____

Blade Life:

Date blades installed: _____ Date blades inspected: _____ Estimated blade life: _____

Are blades making complete contact with belt? Yes No

Blade wear: LEFT _____ MIDDLE _____ RIGHT _____

Blade condition: Good Grooved Smiled Not contacting belt Damaged

Measurement of spring: Required _____ Currently _____

For SAT2 Tensioner only: Air/Nitrogen Pressure Required _____ Currently _____
Inspect SAT2 bags and lines

Was Cleaner Adjusted: Yes No

Pole Condition: Good Bent Worn

Lagging: Slide lag Ceramic Rubber Other None

Condition of lagging: Good Bad Other _____

Cleaner's Overall Performance: (Rate the following 1 - 5, 1 = very poor - 5 = very good)

Appearance: Comments: _____

Location: Comments: _____

Maintenance: Comments: _____

Performance: Comments: _____

Other Comments: _____



Section 7 - Troubleshooting

7.1 Troubleshooting Guide

Problem	Possible Cause	Possible Solutions
Vibration	Cleaner secure bolts not set	Ensure all locking nuts are tight (Loctite)
	Cleaner not set up correctly	Ensure cleaner set up properly (check tip angle with gauge)
	Belt tension too high	Ensure cleaner can conform to belt, or replace with alternate Flexco secondary cleaner
	Belt flap	Introduce hold-down roller to flatten belt
	Cleaner over-tensioned	Ensure cleaner is correctly tensioned
	Cleaner under-tensioned	Ensure cleaner is correctly tensioned
	Nylon bearing worn out or missing	Replace nylon bearing
Material buildup on cleaner	Cleaner not set up correctly	Ensure cleaner set up properly (5° laid back)
	Buildup on chute	Ensure cleaner is not located too close to back of chute, allowing buildup
	Cleaner being overburdened	Introduce Flexco precleaner
	Excessive sticky material	Frequently clean unit of buildup
Damaged belt cover	Cleaner over-tensioned	Ensure cleaner is correctly tensioned
	Cleaner blade damage	Check blade for wear, damage and chips, replace where necessary
	Attack angle not correct	Ensure cleaner set up properly (check tip angle with gauge)
	Material buildup in chute	Frequently clean unit of buildup
Cleaner not conforming to belt	Cleaner not set up correctly	Ensure cleaner set up properly (check tip angle with gauge)
	Belt tension too high	Ensure cleaner can conform to belt (introduce hold-down roller), or replace with alternate Flexco secondary cleaner
	Belt flap	Introduce hold-down roller to flatten belt
	Cleaner cannot conform	Ensure cleaner can conform to belt (introduce hold-down roller), or replace with alternate Flexco secondary cleaner
Material passing cleaner	Cleaner not set up correctly	Ensure cleaner set up properly (check tip angle with gauge)
	Cleaner tension too low	Ensure cleaner is correctly tensioned
	Cleaner blade worn/damaged	Check blade for wear, damage and chips, replace where necessary
	Cleaner being overburdened	Introduce Flexco precleaner
	Belt flap	Introduce hold-down roller to flatten belt
	Belt worn or grooved	Introduce water spray pole
	Cleaner cannot conform	Ensure cleaner can conform to belt (introduce hold-down roller), or replace with alternate Flexco secondary cleaner
	Blade in backwards	Install blade correctly and set correct tension
Damage to mechanical fastener	Incorrect cleaner blade selection	Change blade type to accommodate fastener style (UC or UF)
	Belt not skived correctly	Spot and redo splice correctly, lowering the profile flush or below belt surface
	Blade angle incorrect	Reset with gauge
Missing material in belt center only	Cupped Belt	Install hold-down roller and reset blade angle with gauge
	Cleaner blade worn/damaged	Check blade for wear, damage and chips, replace where necessary
Missing material on outer edges only	Cupped Belt	Install hold-down roller and reset blade angle with gauge
	Cleaner blade worn/damaged	Check blade for wear, damage and chips, replace where necessary

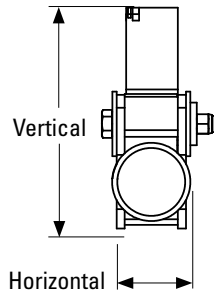
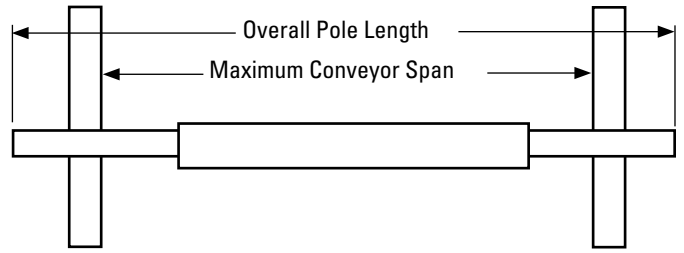
Section 8 - Specs and CAD Drawings

8.1 Specs and Guidelines

Pole Length Specifications*

CLEANER SIZE	BLADE WIDTH	POLE LENGTH	MAXIMUM CONVEYOR SPAN
450	450	1800	1550
600	600	1950	1700
750	750	2100	1850
900	900	2250	2000
1050	1050	2400	2150
1200	1200	2550	2300
1350	1350	2700	2450
1500	1500	2850	2600
1800	1800	3150	2900
2100	2100	3450	3200
2400	2400	3750	3500

*For special extra long pole length requirements a Pole Extender Kit (#76024) is available that provides 750mm of extended pole length. See Page 7.
Pole Diameter - 73mm



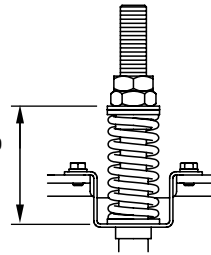
Clearance Guidelines for Installation

HORIZONTAL CLEARANCE REQUIRED	VERTICAL CLEARANCE REQUIRED
115	229

SST XD Tensioner Spring Length Chart

Blade Width	White Spring	Silver Spring	Black Spring	Gold Spring
450	86	102	N/A	N/A
600	79	98	N/A	N/A
750	73	95	N/A	N/A
900	N/A	95	98	N/A
1050	N/A	92	95	N/A
1200	N/A	89	92	N/A
1350	N/A	86	92	95
1500	N/A	83	89	95
1800	N/A	N/A	86	92
2100	N/A	N/A	79	89
2400	N/A	N/A	N/A	86

Top of Washer to Mounting Base



Shading indicates preferred spring option. Measure spring as shown below.

SAT XD Tensioner Pressure Chart

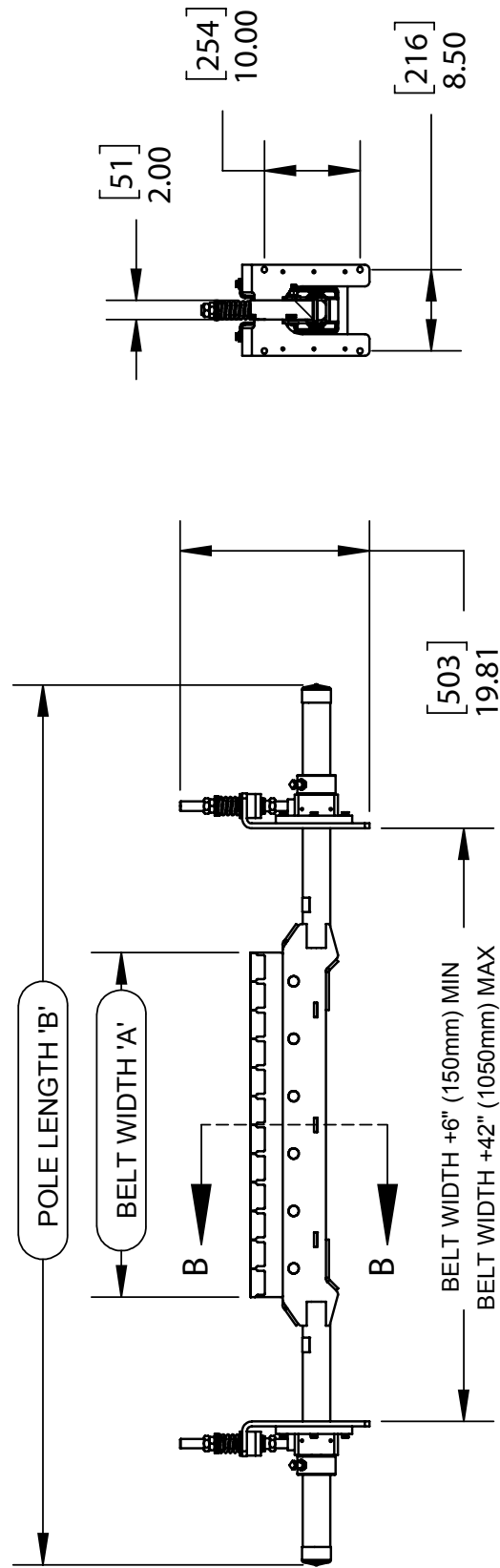
Blade Width	Blades	Pressure kPa
450	3	103
600	4	131
750	5	159
900	6	186
1050	7	214
1200	8	241
1350	9	269
1500	10	296
1800	12	352
2100	14	407
2400	16	462

- Maximum Belt Speed 4M/sec
- Temperature Rating -35°C to 82°C
- Available for Belt Widths 450 to 2400mm. Other sizes available upon request.

Section 8 - Specs and CAD Drawings

8.2 CAD Drawing - CBS with SST XD Tensioners

SPECIFICATIONS			CBS CLEANER	
BELT WIDTH 'A'	POLE LENGTH 'B'	ORDER NUMBER	ITEM CODE	
(in)	(in)			
18	73	CBS185F	79936	
24	79	CBS245F	79937	
30	85	CBS305F	79938	
36	91	CBS365F	79939	
42	97	CBS425F	79940	
48	103	CBS485F	79941	
54	109	CBS545F	79942	
60	115	CBS605F	79943	
72	127	CBS725F	79944	
84	139	CBS845F	79945	
96	151	CBS965F	79946	

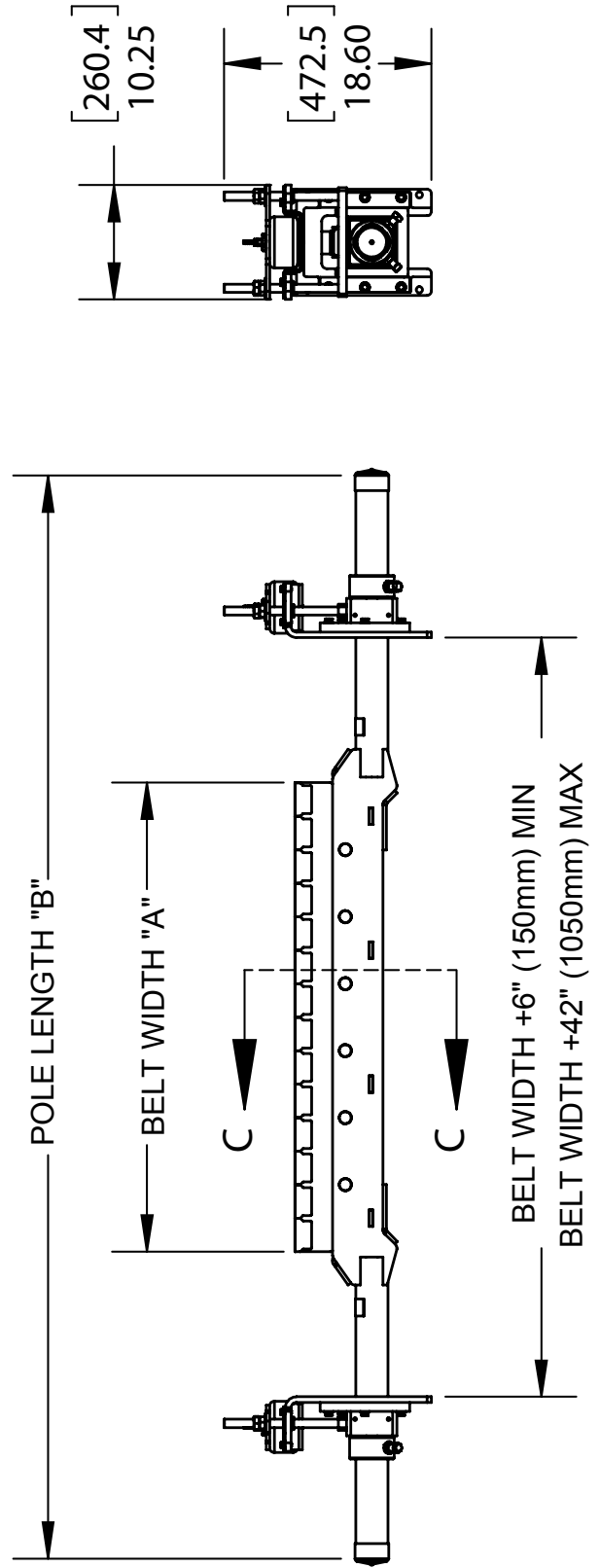
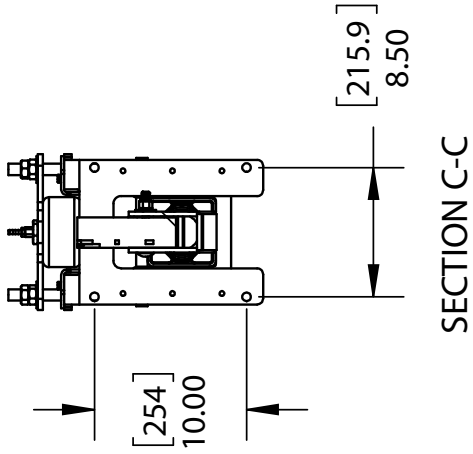


SECTION B-B

Section 8 - Specs and CAD Drawings

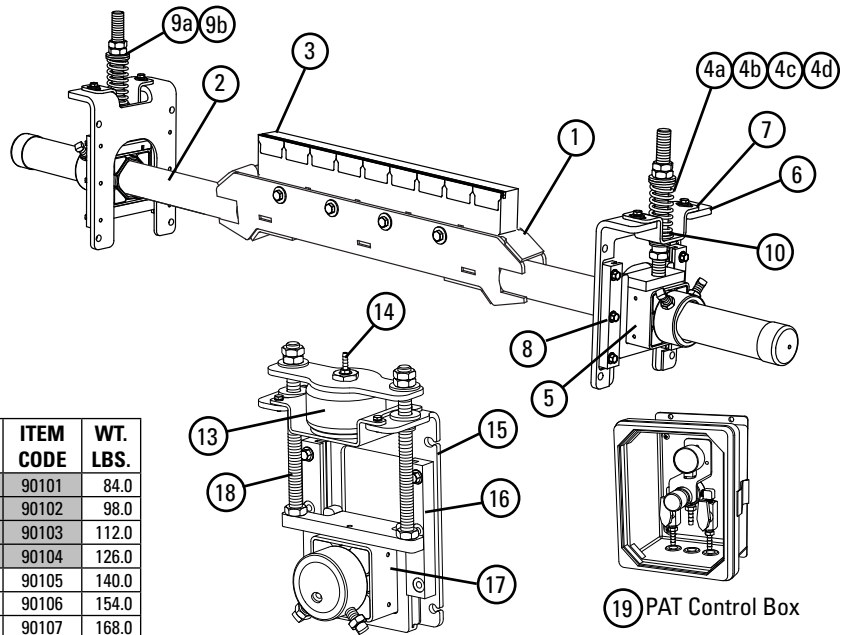
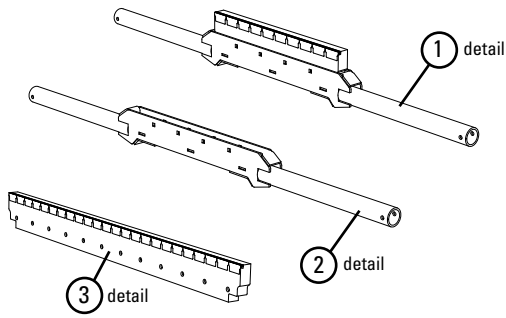
8.3 CAD Drawing - CBS with SAT XD Tensioners

SPECIFICATIONS			CBS CLEANER		
BELT WIDTH "A"		POLE LENGTH "B"		ORDER NUMBER	ITEM CODE
(in)	(mm)	(in)	(mm)		
18	480	73	1854	CBS18PF	79958
24	600	79	2007	CBS24PF	79959
30	700	85	2159	CBS30PF	79960
36	900	91	2311	CBS36PF	79961
42	1050	97	2464	CBS42PF	79962
48	1200	103	2616	CBS48PF	79963
54	1350	109	2769	CBS54PF	79964
60	1500	115	2921	CBS60PF	79965
72	1800	127	3226	CBS72PF	79966
84	2100	139	3531	CBS84PF	79967
96	2400	151	3835	CBS96PF	79968



Section 9 - Replacement Parts

9.1 Replacement Parts List - CBS Secondary Cleaner



Replacement Parts

REF	DESCRIPTION	ORDERING NUMBER	ITEM CODE	WT. LBS.
1	450mm CBS Blade/Pole Flat	CBSBP18F	90101	84.0
	600mm CBS Blade/Pole Flat	CBSBP24F	90102	98.0
	750mm CBS Blade/Pole Flat	CBSBP30F	90103	112.0
	900mm CBS Blade/Pole Flat	CBSBP36F	90104	126.0
	1050mm CBS Blade/Pole Flat	CBSBP42F	90105	140.0
	1200mm CBS Blade/Pole Flat	CBSBP48F	90106	154.0
	1350mm CBS Blade/Pole Flat	CBSBP54F	90107	168.0
	1500mm CBS Blade/Pole Flat	CBSBP60F	90108	182.0
	1800mm CBS Blade/Pole Flat	CBSBP72F	90109	210.0
	2100mm CBS Blade/Pole Flat	CBSBP84F	90110	238.0
2400mm CBS Blade/Pole Flat	CBSBP96F	90111	266.0	
2	450mm CBS Repl Pole	CBSP18	91432	68.0
	600mm CBS Repl Pole	CBSP24	91433	76.0
	750mm CBS Repl Pole	CBSP30	91434	85.0
	900mm CBS Repl Pole	CBSP36	91435	93.0
	1050mm CBS Repl Pole	CBSP42	91436	101.0
	1200mm CBS Repl Pole	CBSP48	91437	109.0
	1350mm CBS Repl Pole	CBSP54	91438	118.0
	1500mm CBS Repl Pole	CBSP60	91439	126.0
	1800mm CBS Repl Pole	CBSP72	91440	143.0
	2100mm CBS Repl Pole	CBSP84	91441	159.0
2400mm CBS Repl Pole	CBSP96	91442	176.0	
3	450mm CBS Blade Flat	CBSBLD18F	79947	16.0
	600mm CBS Blade Flat	CBSBLD24F	79948	22.0
	750mm CBS Blade Flat	CBSBLD30F	79949	27.0
	900mm CBS Blade Flat	CBSBLD36F	79950	33.0
	1050mm CBS Blade Flat	CBSBLD42F	79951	39.0
	1200mm CBS Blade Flat	CBSBLD48F	79952	45.0
	1350mm CBS Blade Flat	CBSBLD54F	79953	50.0
	1500mm CBS Blade Flat	CBSBLD60F	79954	56.0
	1800mm CBS Blade Flat	CBSBLD72F	79955	67.0
	2100mm CBS Blade Flat	CBSBLD84F	79956	79.0
2400mm CBS Blade Flat	CBSBLD96F	79957	90.0	
4a	Tension Spring - White (1 ea.) for belts 450-750mm	STS-W	75846	0.5
4b	Tension Spring - Silver (1 ea.) for belts 900-1200mm	STS-S	75843	0.8
4c	Tension Spring - Black (1 ea.) for belts 1350-2100mm	STS-B	75844	1.0
4d	Tension Spring - Gold (1 ea.) for belts 2400mm	STS-G	78142	1.3
5	HD Torsion Pole Mount* (1 ea.) (includes HD adjusting rod, nuts & sleeve) (See 9 & 9a for bushings)	SSTHDPM	77868	15.0
6	SST XD Mounting Base Kit* (includes 1 mounting base, 2 slide guides, top hat bracket & bottom bushing)	SSTXDMK	91412	10.2
7	SST Hat Bracket (pair)	SSTHB	79582	3.0
8	Slide Guide Kit* (incl. 2 slide guides)	STGK2	77867	1.1
9a	SST Bushing Kit - White/Silver (includes 2 bushings)	SSTBK-W	76636	0.1
9b	SST Bushing Kit - Black/Gold (includes 2 bushings)	SSTBK-B	76637	0.1
10	SST Lower Bushing Kit (pair)	SSTLBK	79493	.2

*Hardware Included
Lead time: 1 day; shaded items 3 weeks

- 11 Secondary Air Tensioner XD with Control Box
- 12 Secondary Air Tensioner XD w/o Control Box

SAT XD (Secondary Air Tensioner XD) Replacement Parts

REF	DESCRIPTION	ORDERING NUMBER	ITEM CODE	WT. LBS.
11	SAT XD w/PAT Control Box	SATXDPAT	91413	43.5
12	SAT XD w/o Control Box	SATXDNCB	91414	41.0
13	SAT Air/Water Bag Kit	SATB	76083	5.1
14	SAT 1/8" Hose Barb Kit	SATHB	76084	0.1
15	SAT XD Mounting Base Kit	SAT2MK	91415	11.6
16	ST Slide Guide Kit	STGK2	77867	1.1
17	SAT2 Torsion Pole Mount	SAT2PM	78732	11.1
18	SAT2 Adjusting Rod Kit	SAT2AK	78733	5.0
19	PAT Control Box 100psi	PACB100	79656	11.0

Lead time: 1 working day

SST XD (Secondary Spring Tensioner XD) Options

REF	DESCRIPTION	ORDERING NUMBER	ITEM CODE	WT. LBS.
-	SST XD Spring Tensioner* - White (includes 2 each items 4a, 5, 6, & 9a) for belts 450-750mm	SSTXD-W	91408	60.6
-	SST XD Spring Tensioner* - Silver (includes 2 each items 4b, 5, 6, & 9a) for belts 900-1200mm	SSTXD-S	91409	61.4
-	SST XD Spring Tensioner* - Black (includes 2 each items 4c, 5, 6, & 9b) for belts 1350-2100mm	SSTXD-B	91410	62.0
-	SST XD Spring Tensioner* - Gold (includes 2 each items 4d, 5, 6, & 9b) for belts 2400mm	SSTXD-G	91411	62.6

Spring Tensioner Selection Chart

CLEANER SIZE	91408 SSTXD-W	91409 SSTXD-S	91410 SSTXD-B	91411 SSTXD-G
CBS 450 - 750mm	X			
CBS 900 - 1200mm		X		
CBS 1350 - 2100mm			X	
CBS 2400mm				X





Section 10 - Other Flexco Conveyor Products

Flexco provides many conveyor products that help your conveyors to run more efficiently and safely. These components solve typical conveyor problems and improve productivity. Here is a quick overview on just a few of them:

MMP Precleaner



- Extra cleaning power right on the head pulley
- A 10" (250mm) TuffShear™ blade provides increased blade tension on the belt to peel off abrasive materials
- The unique Visual Tension Check™ ensures optimal blade tensioning and quick, accurate retensioning
- Easy to install and simple to service

DRX Impact Beds



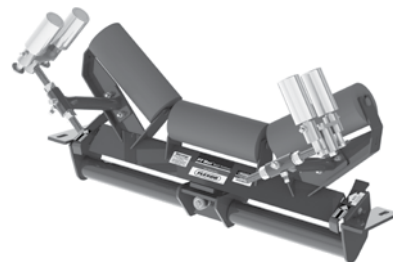
- Exclusive Velocity Reduction Technology™ to better protect the belt
- Slide-Out Service™ gives direct access to all impact bars for change-out
- Impact bar supports for longer bar life
- 4 models to custom fit to the application

MDWS DryWipe Secondary Cleaner



- Wipes the belt dry as final cleaner in system
- Automatic blade tensioning to the belt
- Easy, visual blade tension check
- Simple, one-pin blade replacement

PT Max™ Belt Trainer



- Patented “pivot & tilt” design for superior training action
- Dual sensor rollers on each side to minimize belt damage
- Pivot point guaranteed not to freeze up
- Available for topside and return side belts

Flexco Specialty Belt Cleaners



- “Limited space” cleaners for tight conveyor applications
- High Temp cleaners for severe, high heat applications
- A rubber fingered cleaner for chevron and raised rib belts
- Multiple cleaner styles in stainless steel for corrosive applications

Belt Plows



- A belt cleaner for the tail pulley
- Exclusive blade design quickly spirals debris off the belt
- Economical and easy to service
- Available in vee or diagonal models

The Flexco Vision

To become the leader in maximising
belt conveyor productivity for our customers worldwide
through superior service and innovation.

Visit www.flexco.com for other Flexco locations and products.

©2020 Flexible Steel Lacing Company. 05/18/20. For reorder: X5962

