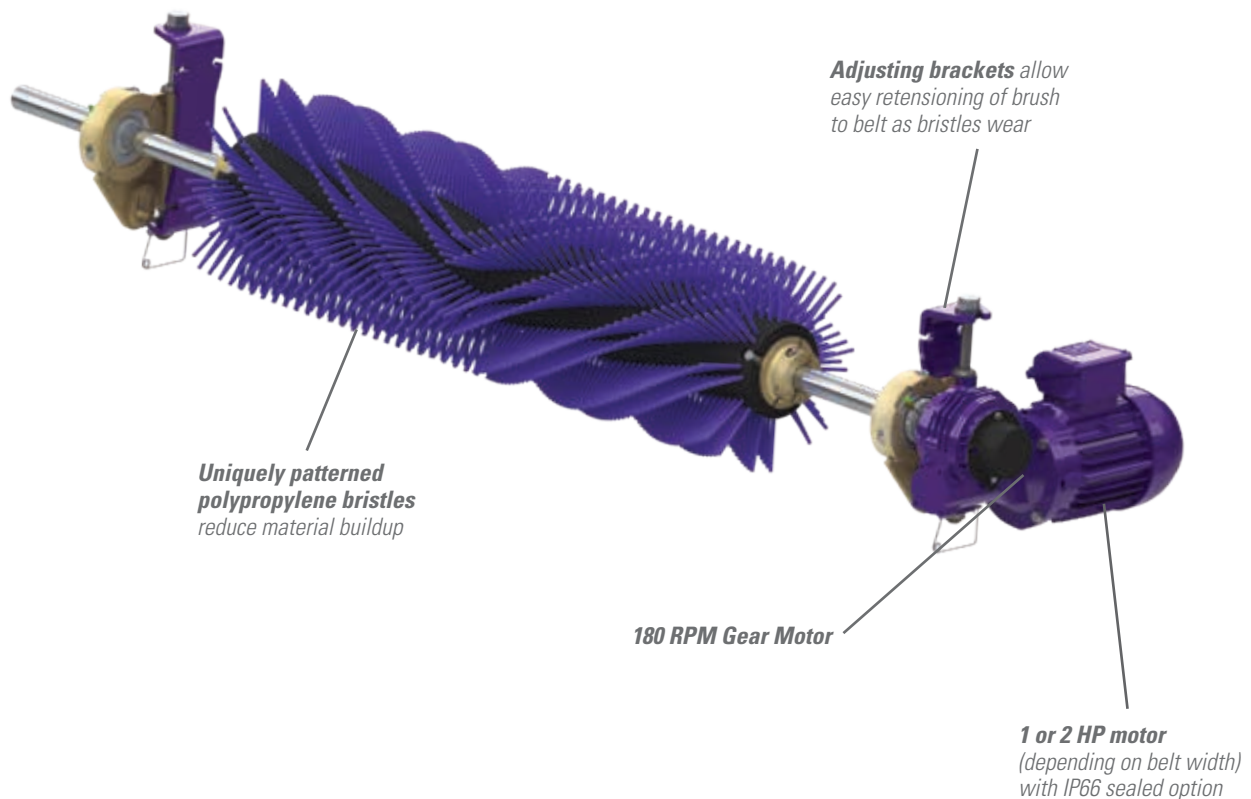


# Motorized Brush Cleaner

## Effectively Cleans Stubborn Wood Dust off Chevron Belts

Chevron belts present a special problem for efficient cleaning especially when chips and bark are wet. There is more surface area and cavities for fines to stick to, and a traditional flat blade cleaner will not effectively clean the belt's surface. The Motorized Brush Cleaner is an ideal option for cleaning stubborn wood dust off these belts.



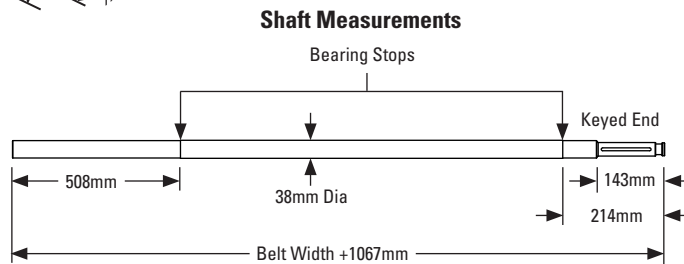
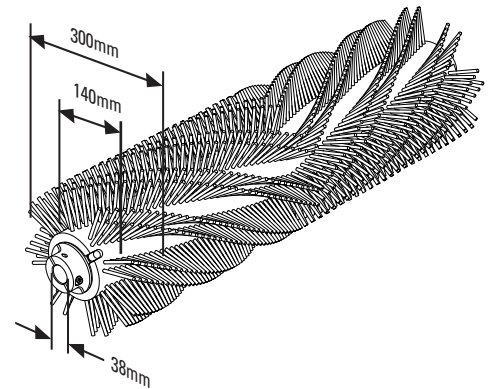
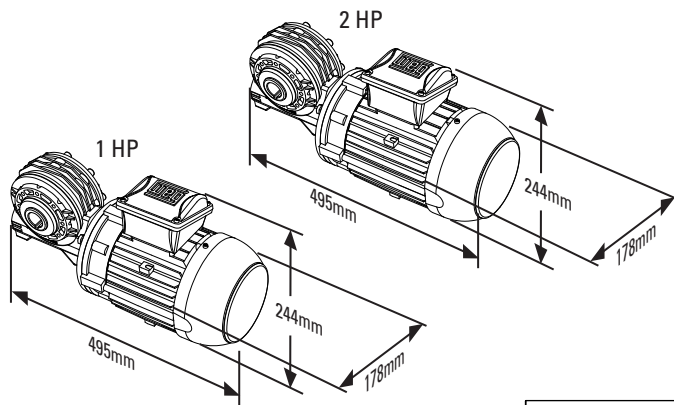
### Features and Benefits

- **Maximum Cleaning.** Spins opposite the belt direction for optimal cleaning.
- **Uniquely patterned bristles.** Aids in reducing material buildup and clogging.
- **Adjustable tensioners.** Allows easy brush-to-belt adjustment as the bristles wear.
- **Works on mechanically spliced or vulcanized belts.**

# MOTORIZED BRUSH CLEANER

## Specifications and Guidelines

- **Maximum Belt Speed**  
3.5 m/s
- **Temperature Rating**  
-30° C to 82° C
- **CEMA Cleaner Rating**  
Class 4
- **Overall Brush Diameter**  
305mm
- **Bristle Material**  
Polypropylene
- **Bristle Length**  
83mm
- **Brush RPM**  
180
- **Shaft Diameter**  
38mm
- **Shaft Length**  
Belt Width + 1067mm
- **Maximum Chevron or Cleat Height**  
13mm
- **Motor Voltage and HP**  
**208-230/460VAC 3 Phase\***  
1HP (Cleaners 450-1050mm)  
2HP (Cleaners 1200-2100mm)  
**575V 3 Phase\***  
1HP (Cleaners 450-900mm)  
2HP (Cleaners 1050-2100mm)  
\*other motors available upon request
- **Motor Standards**  
IP55 or IP66
- **Available for Belt Widths**  
450 to 2100mm
- **Horizontal Clearance Required**  
305mm
- **Vertical Clearance Required**  
305mm



## Ordering Information

Motorized Brush Cleaner 208-230/460 VAC 3-Phase Motor							
Belt Width		Brush Coverage		Ordering Number	Item Code		
mm	in.	mm	in.	IP55	IP66		
450	18	450	18	MBC-18	79494	MBC-18-S	91571
600	24	600	24	MBC-24	79495	MBC-24-S	91572
750	30	750	30	MBC-30	79496	MBC-30-S	91573
900	36	900	36	MBC-36	79497	MBC-36-S	91574
1050	42	1050	42	MBC-42	79498	MBC-42-S	91575
1200	48	1200	48	MBC-48	79499	MBC-48-S	91576
1350	54	1350	54	MBC-54	79500	MBC-54-S	91577
1500	60	1500	60	MBC-60	79501	MBC-60-S	91578
1800	72	1800	72	MBC-72	79502	MBC-72-S	91579
2100	84	2100	84	MBC-84	79503	MBC-84-S	91580

Motorized Brush Cleaner 575V 3-Phase Motor							
Belt Width		Brush Coverage		Ordering Number	Item Code		
mm	in.	mm	in.	IP55	IP66		
450	18	450	18	MBC-18-575V	79914	MBC-18-575V-S	91581
600	24	600	24	MBC-24-575V	79915	MBC-24-575V-S	91582
750	30	750	30	MBC-30-575V	79916	MBC-30-575V-S	91583
900	36	900	36	MBC-36-575V	79917	MBC-36-575V-S	91584
1050	42	1050	42	MBC-42-575V	79918	MBC-42-575V-S	91585
1200	48	1200	48	MBC-48-575V	79919	MBC-48-575V-S	91586
1350	54	1350	54	MBC-54-575V	79920	MBC-54-575V-S	91587
1500	60	1500	60	MBC-60-575V	79921	MBC-60-575V-S	91588
1800	72	1800	72	MBC-72-575V	79922	MBC-72-575V-S	91589
2100	84	2100	84	MBC-84-575V	79923	MBC-84-575V-S	91590

Replacement Brushes	
Ordering Number	Item Code
MBRD-18	79514
MBRD-24	79515
MBRD-30	79516
MBRD-36	79517
MBRD-42	79518
MBRD-48	79519
MBRD-54	79520
MBRD-60	79521
MBRD-72	79522
MBRD-84	79523

Authorised Distributor:

