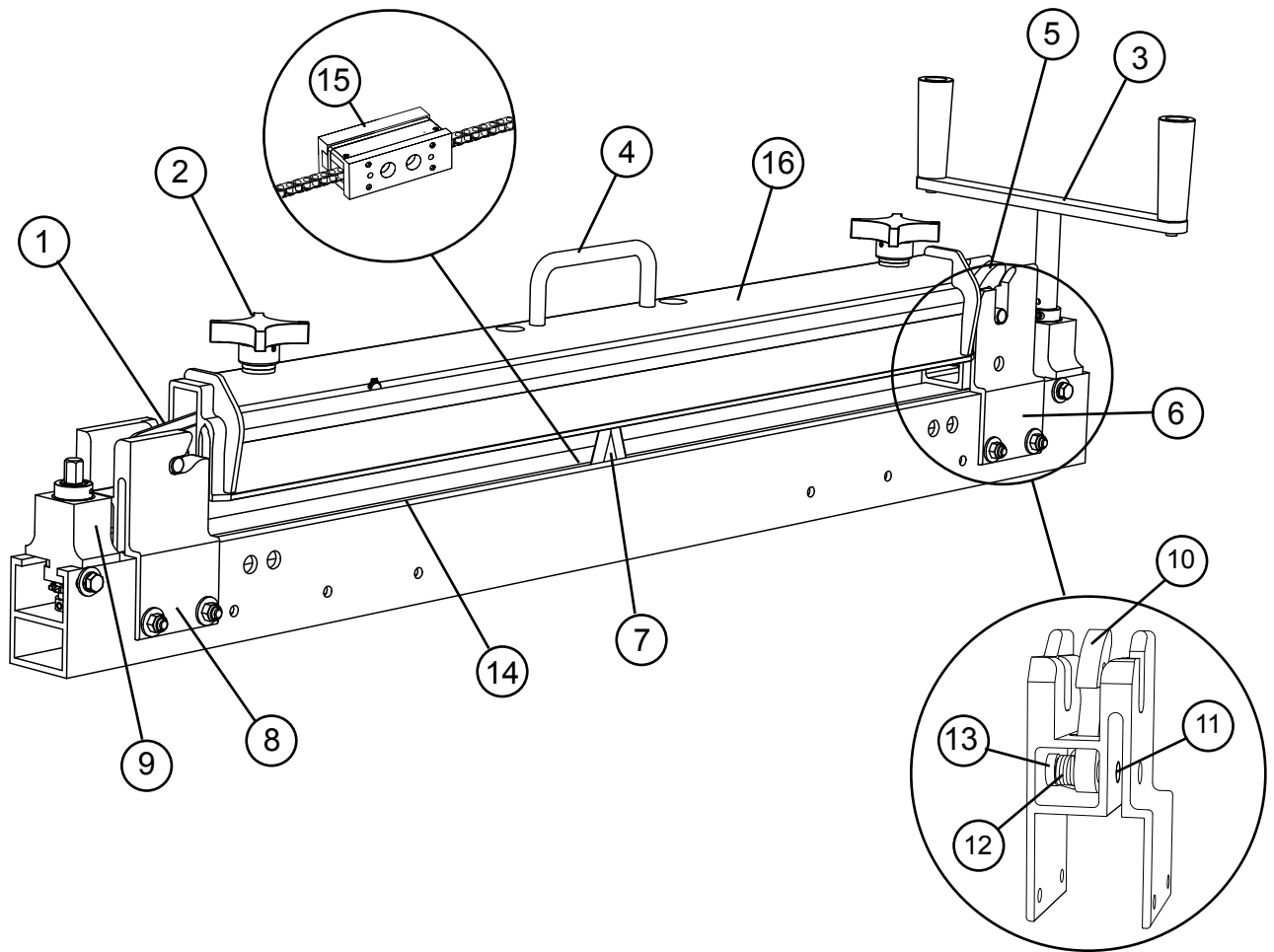


# 900 Series Belt Cutter Parts List



REF.	ITEM CODE	DESCRIPTION
1	04169	Clamp Arm Assembly, Left
2	04155	Clamp Knob/Screw Kit
3	04140	Drive Handle Assembly
4	04148	Carrying Handle Kit (for bolt handle replacement only)
5	04168	Clamp Arm Assembly, Right
6	04186	Right Upright Assembly
7	04149	Blade Replacement Kit
8	04264	Left Upright, Slotted
9	04141	Bearing Block Assembly
10	04133	Quick Release Latch
11	04132	Latch Shaft
12	04130	Latch Spring, Right
13	04131	Latch Spring Spacer
14	03500	Grip Tape

REF.	ITEM CODE	DESCRIPTION
15	04202	900 Series Belt Cutter 600 mm Chain Replacement Kit
	04156	900 Series Belt Cutter 900 mm Chain Replacement Kit
	04157	900 Series Belt Cutter 1200 mm Chain Replacement Kit
	04158	900 Series Belt Cutter 1500 mm Chain Replacement Kit
	04159	900 Series Belt Cutter 1800 mm Chain Replacement Kit
	04160	900 Series Belt Cutter 2130 mm Chain Replacement Kit
	04195	900 Series Belt Cutter 2430 mm Chain Replacement Kit
16	04203	900 Series Belt Cutter 600 mm Clamp Assy
	04161	900 Series Belt Cutter 900 mm Clamp Assy
	04162	900 Series Belt Cutter 1200 mm Clamp Assy
	04163	900 Series Belt Cutter 1500 mm Clamp Assy
	04164	900 Series Belt Cutter 1800 mm Clamp Assy
	04165	900 Series Belt Cutter 2130 mm Clamp Assy
	04196	900 Series Belt Cutter 2430 mm Clamp Assy

Patent Number: International WIPO WO2009006619A1

240 Macpherson Road • #02-01 • Singapore 348574  
Tel: +65-6484-1533 • Fax: +65-6484-1531 • E-mail: [asiasales@flexco.com](mailto:asiasales@flexco.com)

Visit [www.flexco.com](http://www.flexco.com) for other Flexco locations and products.

©2018 Flexible Steel Lacing Company. 07/06/20. For reorder: X5391

