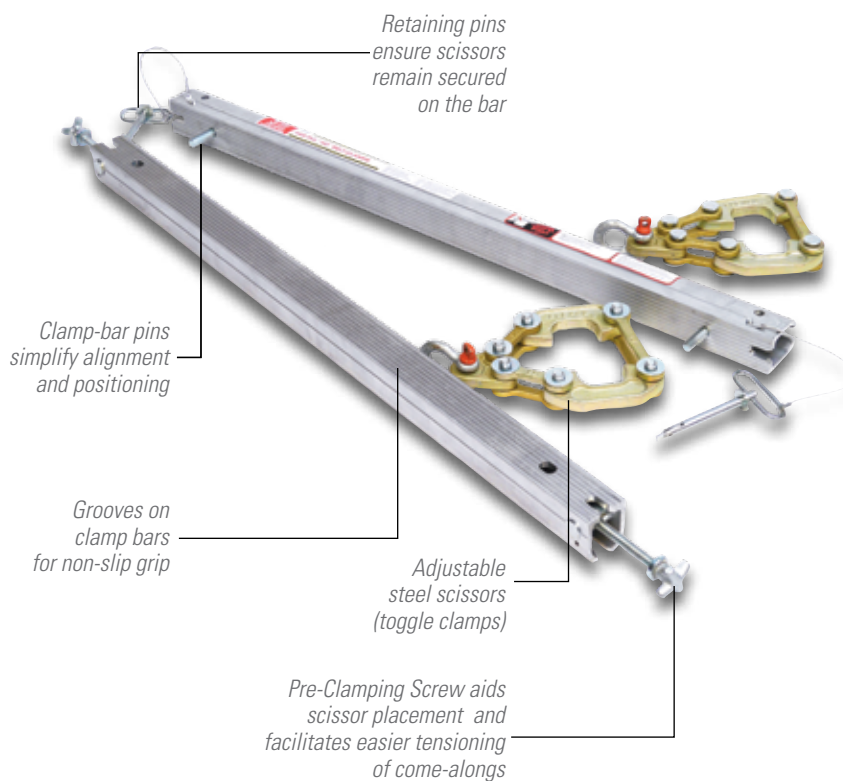


Far-Pul® HD® Belt Clamp

Properly Secure Belts for Safer Conveyor Maintenance

Avoid the problems and potential dangers associated with homemade devices such as c-clamps, lumber and chains. Far-Pul® HD® Belt Clamps are specially designed to properly secure cement belts and clamp them for safe belt conveyor maintenance.



Unique design, easily adjustable

The unique design of the Far-Pul® HD® Belt Clamp provides even tensioning across the entire belt width for a secure grip. And with a load capacity of up to three tons (2.7 metric tons), when used with two 1-1/2-ton chain come-alongs, it is ideal for rubber covered and PVC heavy-duty belting from 6 mm (7/32") to 25 mm (1") thick.

The Far-Pul HD also accommodates a variety of belt widths. So the need to inventory different clamp bars for different belt widths is eliminated. Our pre-clamping screw allows you to slide the scissors on to the bars in a quick, efficient, and safe manner. Clamping scissors slide easily into place against both belt edges for easy adjustability. And clamp-bar pins simplify alignment and positioning.

FAR-PUL® HD® Belt Clamp



Far-Pul® HD® clamp bars are constructed from heat-treated extruded aluminum so they resist corrosion and won't seize up in wet and corrosive environments. Clamps include adjustable steel scissors.

Engineered for heavy-duty applications

- Aggregate
- Steel
- Coal
- Potash
- Grain
- Foundry
- Salt

<i>Far-Pul® HD® Belt Clamps</i>				
Belt Width		Ordering Number	Weight	
mm	in.		kgs.	lbs.
Up to 30	Up to 750	LSHD30	42.2	93.0
Up to 36	Up to 900	LSHD36	44.9	99.0
Up to 42	Up to 1050	LSHD42	48.1	106.0
Up to 48	Up to 1200	LSHD48	50.8	112.0
Up to 54	Up to 1350	LSHD54	54.0	119.0
Up to 60	Up to 1500	LSHD60	57.6	127.0
Up to 72	Up to 1800	LSHD72	63.0	139.0

Note: A complete set of Far-Pul® HD® Belt Clamps includes four clamp bars and four steel clamp scissors with carry bag. Come-alongs not included.

<i>Aluminum Content</i>		
Aluminum Alloy Type	Percent	
	Mg Magnesium	Ti Titanium
6061	1.00%	0%

Authorised Distributor: