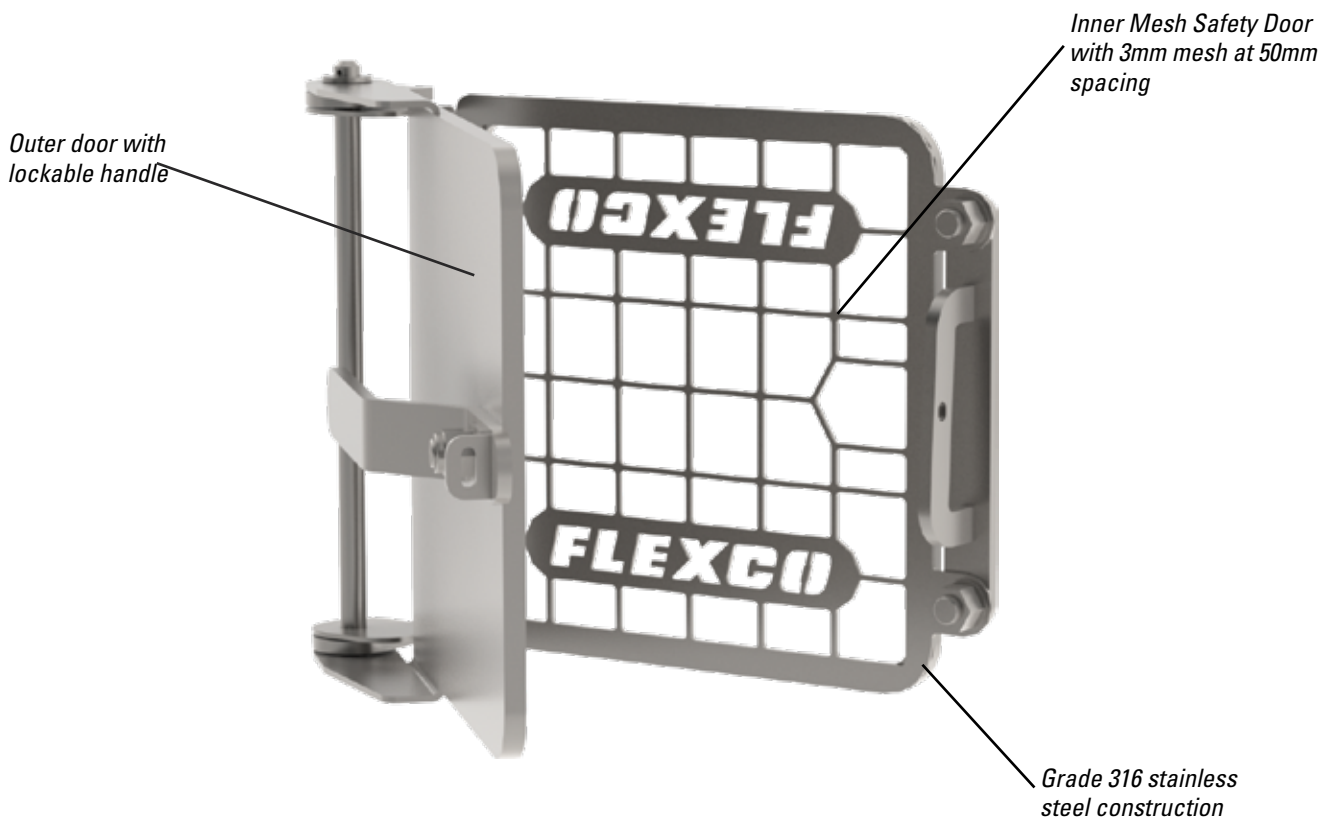


Flexco Inspection Door

Cement Maintenance and Inspections Made Easy

Easy-to-install doors allow for inspections of enclosed structures while providing a dust-tight seal. They also serve as an access point for cleaning material buildup off conveyor belt cleaners or other equipment.



Features and Benefits

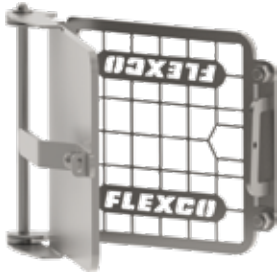
- The inspection doors are available as standard in four different sizes to suit the application.
- Constructed from heavy-duty grade 316 stainless steel.
- The solid outer door can be safely opened by hand without the need for any tools during normal operation of the equipment.
- The inner door features 3mm mesh at 50mm spacing as standard and requires hand tools to open in accordance with Australian Standards.
- Fully sealed to eliminate dust and other emissions from the inspecting door opening.

FLEXCO Inspection Door

Ordering Information

Inspection Doors			
Chute Opening mm	Item Code	Ordering Number	Weight kg
300 x 300	62445	ID300x300 S/S Inspection Door	8.0
400 x 400	62446	ID400x400 S/S Inspection Door	13.0
500 x 500	62447	ID500x500 S/S Inspection Door	18.0
600 x 600	62448	ID600x600 S/S Inspection Door	32.0

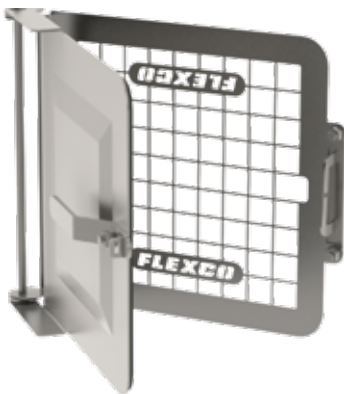
Chute Opening: 300 mm x 300 mm
Outer Door: Solid c/w Lockable Handle
Inner Mesh Door: 3 mm mesh @ 50 mm spacing
Material: Grade 316 Stainless Steel
Overall Weight: 8 kg



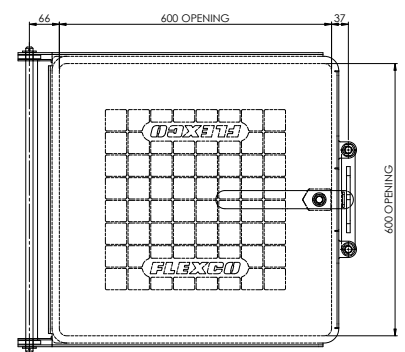
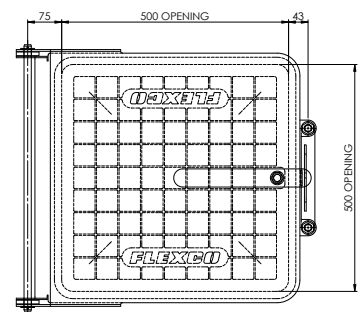
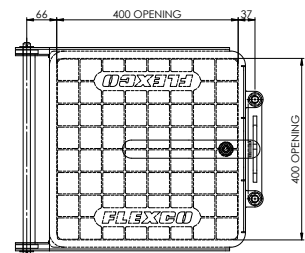
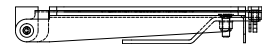
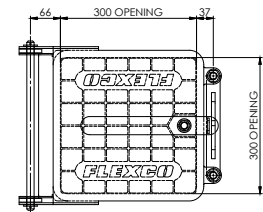
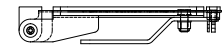
Chute Opening: 400 mm x 400 mm
Outer Door: Solid c/w Lockable Handle
Inner Mesh Door: 3 mm mesh @ 50 mm spacing
Material: Grade 316 Stainless Steel
Overall Weight: 13 kg



Chute Opening: 500 mm x 500 mm
Outer Door: Solid c/w Lockable Handle
Inner Mesh Door: 3 mm mesh @ 50 mm spacing
Material: Grade 316 Stainless Steel
Overall Weight: 18 kg



Chute Opening: 600 mm x 600 mm
Outer Door: Solid c/w Lockable Handle
Inner Mesh Door: 3 mm mesh @ 50 mm spacing
Material: Grade 316 Stainless Steel
Overall Weight: 32 kg



Authorised Distributor: