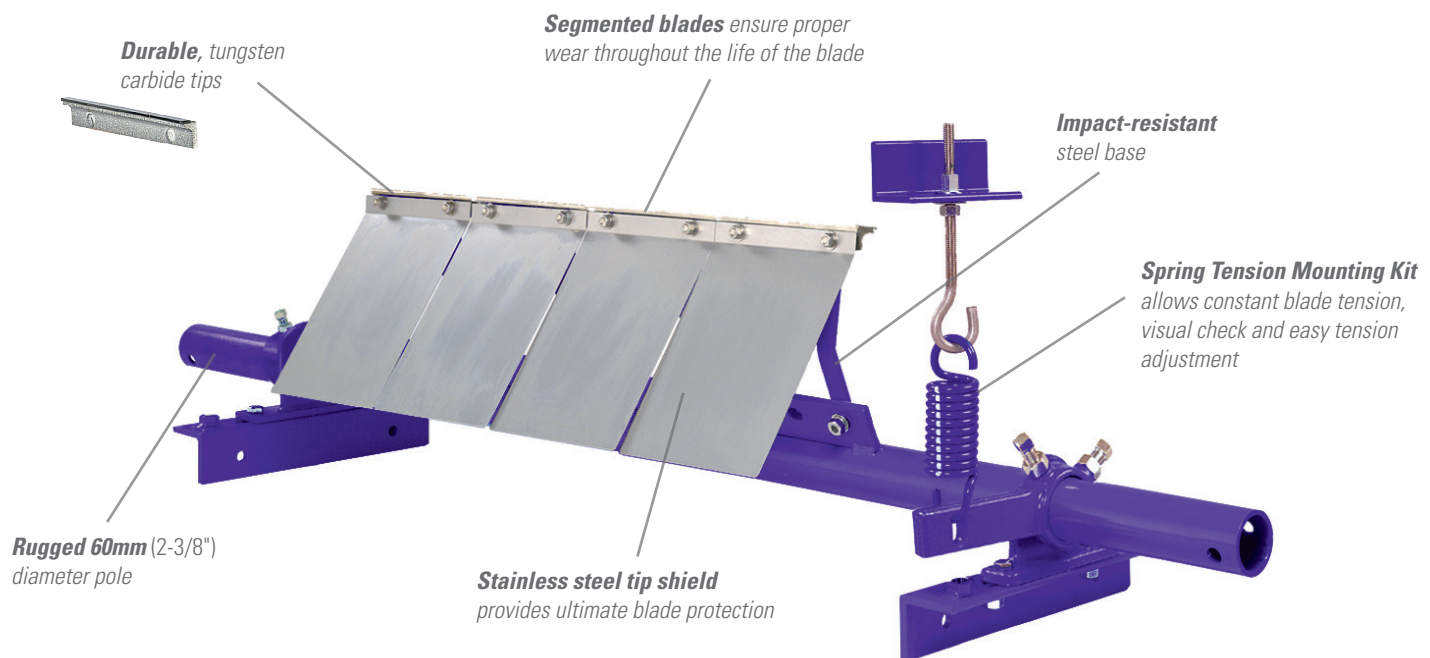


H-Type® High-Temp Precleaner with V-Tips

Vulcanized Clinker Belts, High Temp Precleaner

The Flexco H-Type® Precleaner with High Temperature V-Tips is designed to be positioned on the head pulley and to remove the bulk of the carryback from the belt. It has the ability to withstand ambient temperatures up to 204° C (400° F) and spikes up to 232° C (450° F). Proven performance over 20 years as the most efficient primary cleaner for vulcanized belts carrying abrasive clinker in high heat cement applications.



Features and Benefits

- **Works with vulcanized belts.** The tungsten carbide tips allow for maximum cleaning efficiency and superior wear characteristics. Comes with protected tips for abrasive applications.
- **Complete cleaning system.** When teamed with a secondary cleaner, it makes up a system that delivers maximum cleaning power for the most abusive conveyor applications.
- **Made for mining conveyors.** Made from heavy-duty steel with corrosion-resistant powder coating, the H-Type® is available in sizes for belt widths from 450 to 1200mm (18" to 48"). Additional sizes are available upon request.
- **Optimal positioning.** Blade contact on the pulley is 15° below the horizontal centerline. This keeps the blades out of the discharge path and protects them from rocks, large lumps and other debris.

www.flexco.com

FLEXCO

H-TYPE[®] High-Temp Precleaner with V-Tips

Specifications and Guidelines

Maximum Belt Speed

5 m/s (1000 FPM)

Temperature Rating

-35° C to 204° C (-30° F to 400° F)
spikes up to 232° C (450° F)

Minimum Pulley Diameter

200 mm (8")

Usable Blade Wear Length

9 mm (3/8")

Blade Material

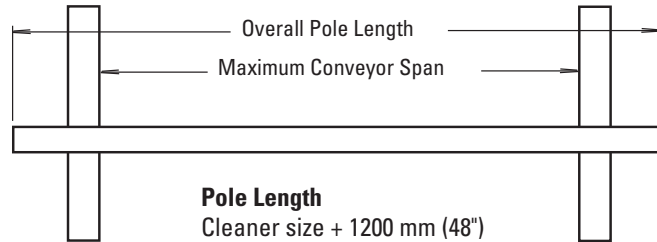
Tungsten carbide (for vulcanized belts only)

Available for Belt Widths

450 to 1200 mm (18" to 48")

CEMA Cleaner Rating

Class 3

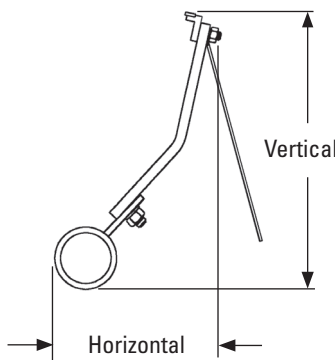


Pole Length

Cleaner size + 1200 mm (48")

Maximum Conveyor Span

Cleaner size + 950 mm (38")



Horizontal Clearance Required

175 mm (7")

Vertical Clearance Required

SS: 325 mm (13")

S: 375 mm (15")

M: 413 mm (16-1/2")

Ordering Information

High Temp Precleaner with V-Tips

Belt Width	Suspension	Ordering	Item	
mm	in.	Arm Size	Number	Code
450	18	SS	HTV18SS	74821
450	18	S	HTV18S	74828
600	24	SS	HTV24SS	74822
600	24	S	HTV24S	74829
750	30	SS	HTV30SS	74823
750	30	S	HTV30S	74830
900	36	SS	HTV36SS	74824
900	36	S	HTV36S	74831
900	36	M	HTV36M	74838
1050	42	SS	HTV42SS	74825
1050	42	S	HTV42S	74832
1050	42	M	HTV42M	74839
1200	48	SS	HTV48SS	74826
1200	48	S	HTV48S	74833
1200	48	M	HTV48M	74840

Suspension arm size is determined by head pulley diameter- see chart.
Pole Diameter - 60mm (2-3/8")
Lead time: 1 working day

Suspension Arm Size

Head Pulley Diameter + Belt & Lagging		Suspension Arm Size
mm	in.	
200 - 375	8 - 15	SS
400 - 675	16 - 27	S
700 - 875	28 - 35	M

Replacement V-Tips

Ordering Number	Item Code
HVT8	73042

Lead time: 1 working day

Replacement Suspension Arms

Suspension Arm Size	Ordering Number	Item Code
SS	HSA8SS	73047
S	HSA8S	73048
M	HSA8M	73049

Lead time: 1 working day

Authorised Distributor:

240 Macpherson Road • #02-01 • Singapore 348574
Tel: +65-6484-1533 • Fax: +65-6484-1531 • E-mail: asiasales@flexco.com

Visit www.flexco.com for other Flexco locations and products.

©2019 Flexible Steel Lacing Company. 07/10/19. For reorder: X5143

