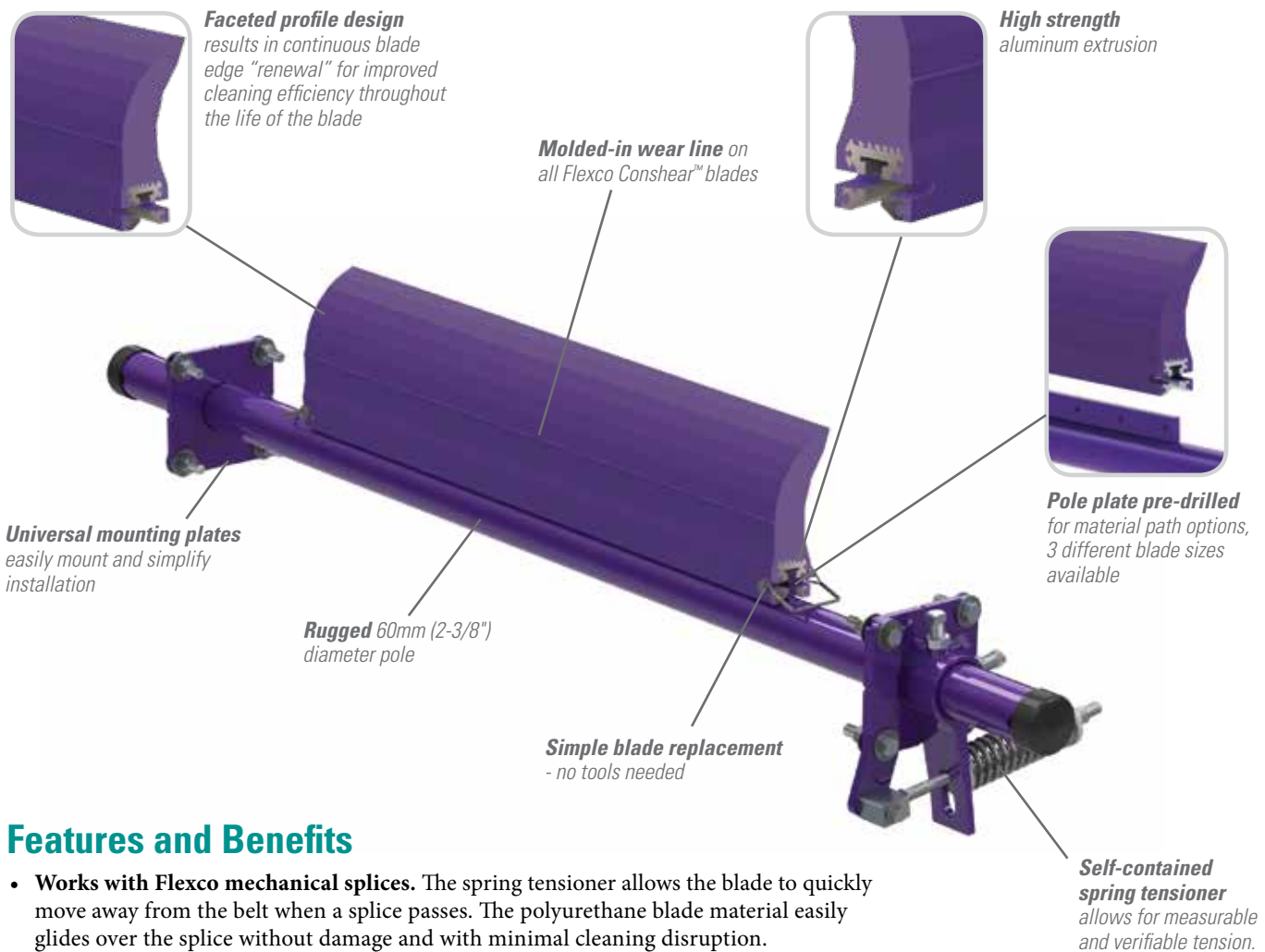


EZP1 Rockline® Standard-Duty Precleaner

Simple, Quick, Effective Belt Cleaning for Cement Operations

The EZP1 Precleaner is not your average solid-blade belt cleaner that mounts on the head pulley. It features a unique single blade design that combines simple, do-it-yourself installation, quick maintenance, and effective cleaning results with a price tag that you can afford. Install the EZP1 anywhere throughout the process where dust is widespread to facilitate the capture of usable material and avoid potential safety citations for hazardous piles.



Features and Benefits

- **Works with Flexco mechanical splices.** The spring tensioner allows the blade to quickly move away from the belt when a splice passes. The polyurethane blade material easily glides over the splice without damage and with minimal cleaning disruption.
- **Compact, streamlined design.** The EZP1 Precleaner requires only 100 mm (4") of horizontal clearance for correct installation. Its streamlined contours prevent material buildup on the blade or the pole.
- **Can be used on reversing belts.** Installing cleaners on both pulleys gives superior cleaning results on belts that run in both directions.
- **Fits most conveyor structures.** Available for belt widths from 300 to 1800mm (12" to 72").
- **Blade can be used on other cleaners.** The Conshear™ blade can be used as a replacement blade on many OEM cleaners.

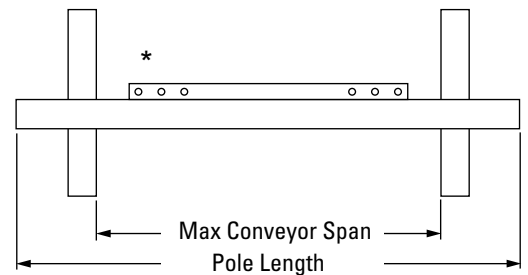
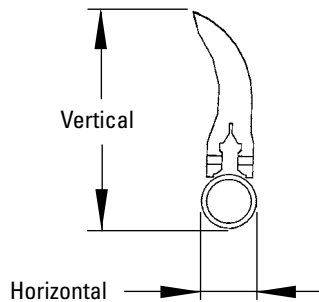
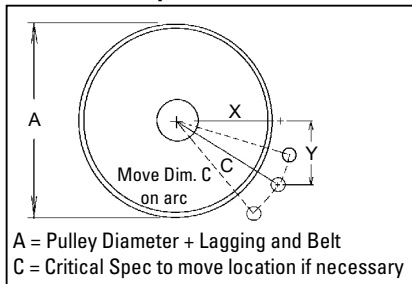
EZP1

Rockline® Standard-Duty Precleaner

Specifications and Guidelines

- **Maximum Belt Speed**
3.5 M/sec (700 FPM)
- **Temperature Rating**
-35°C to 82°C (-30°F to 180°F)
- **Minimum Pulley Diameter**
250mm (10")
- **Blade Height**
185mm (7-1/4")
- **Usable Blade Wear Length**
100mm (4")
- **Blade Material**
Polyurethane 83 durometer (proprietary blend for abrasion resistance and long wear)
- **CEMA Cleaner Rating**
Class 3
- **Available for Belt Widths**
300 to 1800mm (12" to 72")
- **Horizontal Clearance Required**
100mm (4")
- **Vertical Clearance Required**
238mm (9-1/2")
- **Pole Length**
Cleaner size up to 1200mm (48") + 750mm (30")
Cleaner size over 1200mm (48") + 850mm (34")
- **Maximum Conveyor Span**
Cleaner size up to 1200mm (48") + 625mm (25")
Cleaner size over 1200mm (48") + 725mm (29")

Pole Location Specs



Pole Location Chart

| A | X | Y | C | A | X | Y | C | A | X | Y | C |
|-----|-----|-----|-----|-----|-----|-----|-----|-----|-----|-----|-----|
| 250 | 74 | 230 | 242 | 500 | 235 | 230 | 329 | 725 | 374 | 230 | 439 |
| 275 | 92 | 230 | 248 | 525 | 249 | 230 | 339 | 775 | 389 | 230 | 452 |
| 300 | 108 | 230 | 254 | 550 | 266 | 230 | 352 | 775 | 403 | 230 | 464 |
| 325 | 131 | 230 | 265 | 575 | 283 | 230 | 365 | 825 | 417 | 230 | 477 |
| 350 | 146 | 230 | 273 | 600 | 299 | 230 | 377 | 825 | 432 | 230 | 489 |
| 375 | 166 | 230 | 284 | 625 | 314 | 230 | 390 | 850 | 446 | 230 | 501 |
| 400 | 179 | 230 | 291 | 650 | 330 | 230 | 402 | 875 | 460 | 230 | 514 |
| 425 | 195 | 230 | 301 | 675 | 346 | 230 | 415 | 900 | 474 | 230 | 526 |
| 450 | 207 | 230 | 309 | 700 | 360 | 230 | 427 | | | | |

Ordering Information

| EZP1 Precleaners - Belt Width -2" (50mm) Blade | | | | | |
|--|-----|----------------|-----|-----------------|-----------|
| Belt Width | | Blade Coverage | | Ordering Number | Item Code |
| mm | in. | mm | in. | | |
| 300 | 12 | 250 | 10 | EZP1-212 | 75610 |
| 450 | 18 | 400 | 16 | EZP1-218 | 75611 |
| 600 | 24 | 550 | 22 | EZP1-224 | 75612 |
| 750 | 30 | 700 | 28 | EZP1-230 | 75613 |
| 900 | 36 | 850 | 34 | EZP1-236 | 75614 |
| 1050 | 42 | 1000 | 40 | EZP1-242 | 75615 |
| 1200 | 48 | 1150 | 46 | EZP1-248 | 75616 |
| 1350 | 54 | 1300 | 52 | EZP1-254 | 75617 |
| 1500 | 60 | 1450 | 58 | EZP1-260 | 75618 |
| 1800 | 72 | 1750 | 70 | EZP1-272 | 75771 |

| EZP1 Precleaners - Belt Width -8" (200mm) Blade | | | | | |
|---|-----|----------------|-----|-----------------|-----------|
| Belt Width | | Blade Coverage | | Ordering Number | Item Code |
| mm | in. | mm | in. | | |
| 300 | 12 | - | - | N/A | N/A |
| 450 | 18 | 250 | 10 | EZP1-818 | 75779 |
| 600 | 24 | 400 | 16 | EZP1-824 | 75780 |
| 750 | 30 | 550 | 22 | EZP1-830 | 75781 |
| 900 | 36 | 700 | 28 | EZP1-836 | 75782 |
| 1050 | 42 | 850 | 34 | EZP1-842 | 75783 |
| 1200 | 48 | 1000 | 40 | EZP1-848 | 75784 |
| 1350 | 54 | 1150 | 46 | EZP1-854 | 75785 |
| 1500 | 60 | 1300 | 52 | EZP1-860 | 75786 |
| 1800 | 72 | 1600 | 64 | EZP1-872 | 75774 |

| ConShear™ Replacement Blades | | | |
|------------------------------|-----|-----------------|-----------|
| Blade Width | | Ordering Number | Item Code |
| mm | in. | | |
| 250 | 10 | CRB10 | 75628 |
| 400 | 16 | CRB16 | 75629 |
| 550 | 22 | CRB22 | 75630 |
| 700 | 28 | CRB28 | 75631 |
| 850 | 34 | CRB34 | 75632 |
| 1000 | 40 | CRB40 | 75633 |
| 1150 | 46 | CRB46 | 75634 |
| 1300 | 52 | CRB52 | 75635 |
| 1450 | 58 | CRB58 | 75636 |
| 1600 | 64 | CRB64 | 75775 |
| 1750 | 70 | CRB70 | 75773 |

Authorized Distributor: