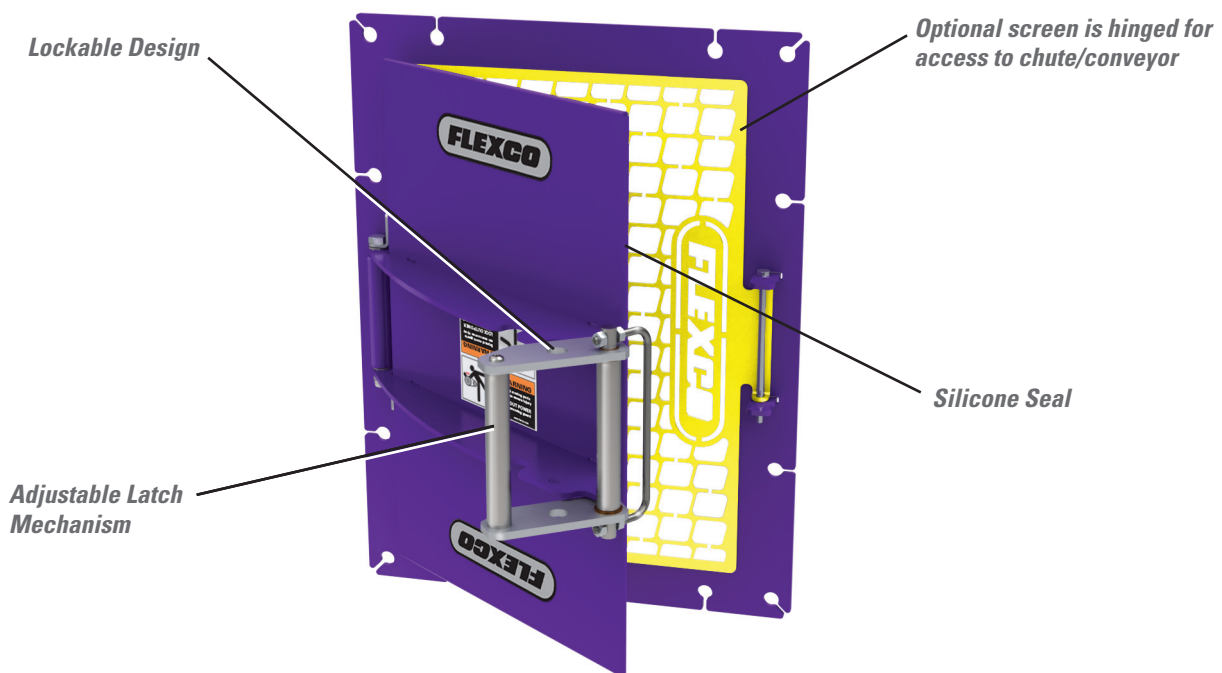


# Flexco Inspection Door

## Cement Maintenance and Inspections Made Easy

Easy-to-install doors allow for inspections of enclosed structures while providing a dust-tight seal. They also serve as an access point for cleaning material buildup off conveyor belt cleaners or other equipment.



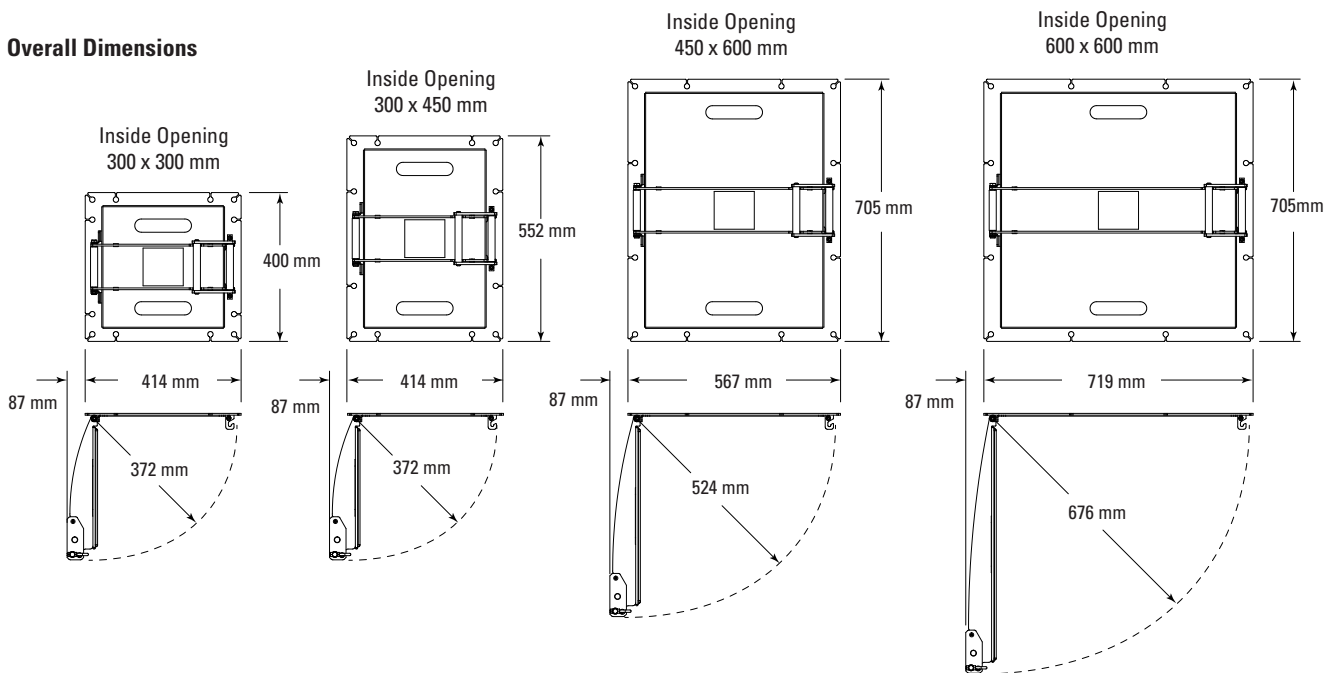
### Features and Benefits

- **Multiple sizes available for a variety of applications.** Door opening options are 300 x 300mm, 300 x 450mm, 450 x 600mm, and 600 x 600mm
- **Adjustable Latch Mechanism.** Tightness of door seal can be changed as needed by simply adjusting the nuts on the U-bolt.
- **Lockable Design.** A padlock can be placed through the latch and door gusset to prevent unauthorized users from accessing the chute/enclosure.
- **Rated for Use in Environments Ranging from -56°C to 177°C.**
- **Silicone Seal on Door.** Helps provide a tight seal between the door and mounting plate.
- **Dust-tight Seal to Chute/Enclosure Wall.** Doors are supplied with silicone sealant for a dust-tight seal between the mounting plate and the chute or enclosure wall.
- **Optional Screen.** Serves as a guard that helps keeps hands and tools from being placed into the chute/enclosure, but still allows visual access. Screen is hinged on one side and bolted on the other so it does not require full removal for accessing the chute/enclosure. A tool is required to unbolt the screen.

# FLEXCO Inspection Door

## Specifications and Guidelines

- **Temperature Rating**  
-56° C to 177° C
- **Overall Dimensions**



## Ordering Information

Flexco Inspection Doors				
Size	Without Screen		With Screen	
mm	Ordering Number	Item Code	Ordering Number	Item Code
300 x 300	INDR-1212	79303	INDR-1212S	79307
300 x 450	INDR-1218	79304	INDR-1218S	79308
450 x 600	INDR-1824	79305	INDR-1824S	79309
600 x 600	INDR-2424	79306	INDR-2424S	79310

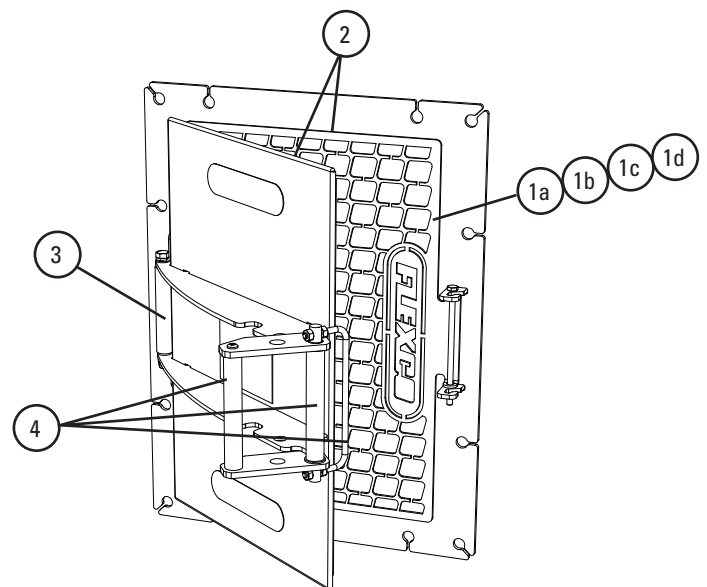
Lead time: 1 working day

### Replacement Parts - Flexco Inspection Doors

Ref	Description	Ordering Number	Item Code	Wt. kgs.
1a	Inspection Door Screen 300x300mm*	IDSC1212	79311	0.8
1b	Inspection Door Screen 300x450mm*	IDSC1218	79312	1.0
1c	Inspection Door Screen 450x600mm*	IDSC1824	79313	1.9
1d	Inspection Door Screen 600x600mm*	IDSC2424	79314	2.4
2	Replacement Seal 1.5M**	IDSEAL	79315	0.04
3	Replacement Hinge	IDHINGE	79316	0.09
4	Replacement Latch (incl. bolt, bushings & nut)	IDLATCH	79317	1.1

\*Hardware included

\*\*One 1.5M length of seal is needed for 300x300mm and 300x450mm doors or screens, and two 1.5M lengths are needed for 450x600mm and 600x600mm doors or screens. Double if replacing seal on both door and screen.



Authorised Distributor:

Flexco Europe GmbH • Leidringer Strasse 40-42 • D-72348 Rosenfeld • Germany  
Tel: +49-7428-9406-0 • Fax: +49-7428-9406-260 • E-mail: europe@flexco.com

Visit [www.flexco.com](http://www.flexco.com) for other Flexco locations and products.

©2017 Flexible Steel Lacing Company. 10/31/17. For reorder: X4876

