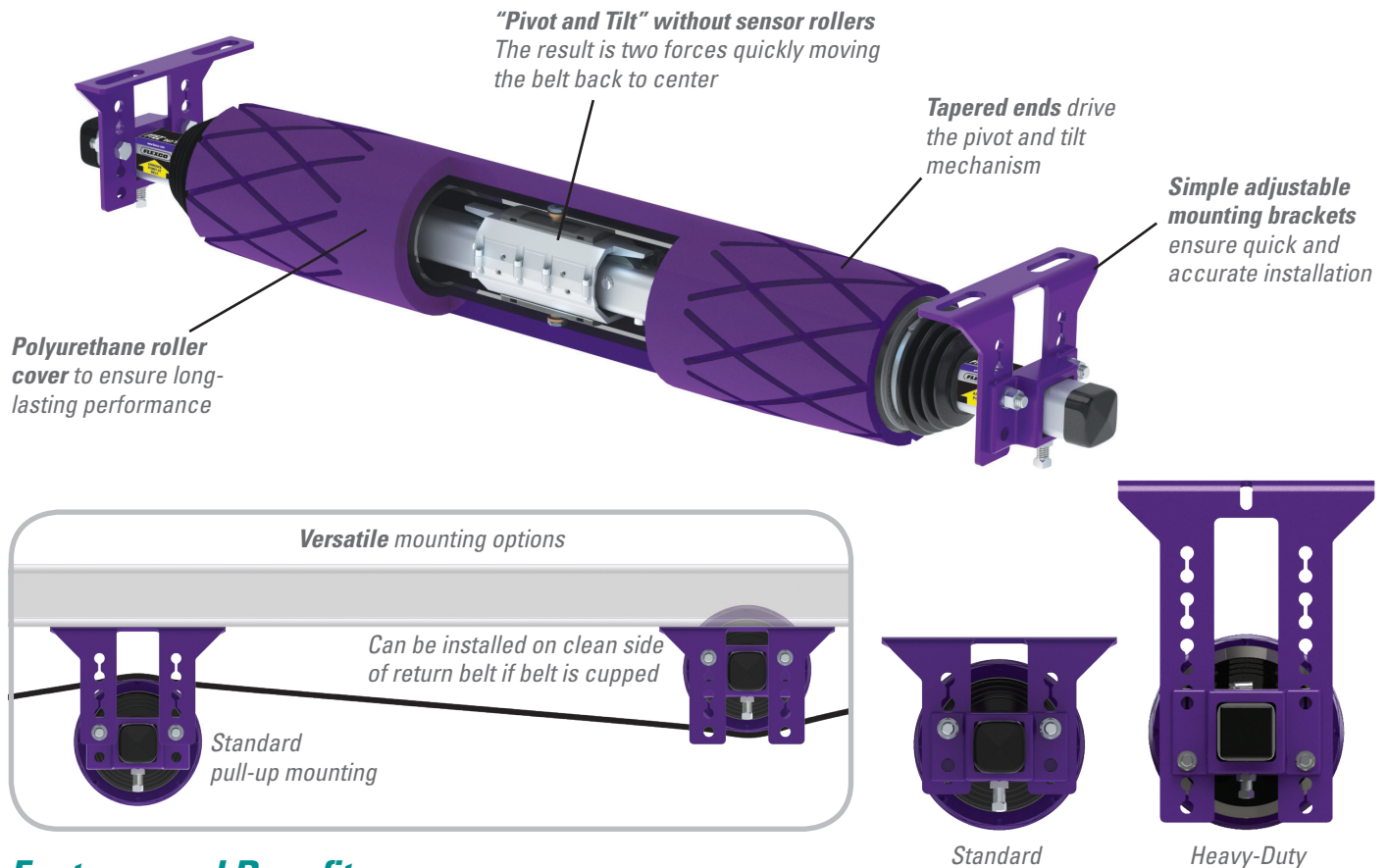


PTEZ™ Belt Trainers

Simple Yet Superior Belt Tracking Performance for Cement Operations

Ideal for use in areas where there is buildup on structures and components or where belts have worn or damaged edges, the PTEZ™ Belt Trainer provides cement operations with a high-performance tracking idler at an economical price point. Employing our unique "Pivot and Tilt" feature using our patented PTEZ mechanism, the unit responds and compensates immediately to belt misalignment using the tapered end roller profile to engage the training action. This ensures that the belt stays away from the structure and the material stays on the belt without the use of sensor or edge rollers. As a result, the PTEZ may be used in nearly any application to provide tracking and prevent damage to the belt or structure.



Features and Benefits

- **Works in multiple applications.** Single-direction and reversing belts. Wet or dry conditions. Belts with edge damage or wear. Belts mistracking to one or both sides. Mechanically fastened or vulcanized belts.
- **Easy ordering and installation.** Enhanced to meet instant demands for training solutions, the PTEZ is available on a short lead time. The simple brackets and component construction also ensure a quick and easy installation.
- **Simplified offering.** Standard-duty available for belt widths 450 to 1200mm. Heavy-duty available for belt widths 1050 to 2100mm.

PTEZ™ Belt Trainers

Specifications and Guidelines

Maximum Belt Speed: 5 M/sec
Temperature Rating: -30° C to 71° C
Belt Direction: One-Way or Reversing
Available for Belt Widths:
 Standard Duty: 450 to 1200mm
 Heavy Duty: 1050 to 2100mm

Roller Material: 70 durometer polyurethane
Mounting Adjustability:
 Horizontal: Belt width 229 to 381mm
 Vertical: 120mm
Application Range: Standard-duty belts up to 1600 PIW max tension.
 Heavy-duty belts up to 2400 PIW max tension.

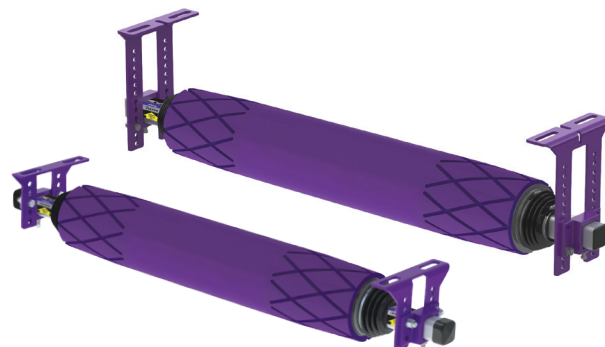
Ordering Information

PTEZ™ Belt Trainer			
Belt Width	Roller Width	Ordering Number	Item Code
mm	mm		
450	470	PTEZ-18	90265
600	620	PTEZ-24	90266
750	770	PTEZ-30	90267
900	920	PTEZ-36	90268
1050	1070	PTEZ-42	90269
1200	1220	PTEZ-48	90270

Lead time: 1 working day

HD PTEZ™ Belt Trainer			
Belt Width	Roller Width	Ordering Number	Item Code
mm	mm		
1050	1070	PTEZHD-42/1050	90616
1200	1220	PTEZHD-48/1200	90617
1350	1370	PTEZHD-54/1350	90618
1400	1420	PTEZHD-56/1400	90795
1500	1520	PTEZHD-60/1500	90619
1600	1620	PTEZHD-64/1600	90796
1800	1820	PTEZHD-72/1800	90620
2000	2020	PTEZHD-80/2000	90797
2100	2120	PTEZHD-84/2100	90621

Lead time: 1 working day



HD PTEZ™ UG Belt Trainer			
Belt Width	Roller Width	Ordering Number	Item Code
mm	mm		
1050	1070	PTEZHD-42/1050-UG	90798
1200	1220	PTEZHD-48/1200-UG	90799
1350	1370	PTEZHD-54/1350-UG	90800
1500	1520	PTEZHD-60/1500-UG	90801
1800	1820	PTEZHD-72/1800-UG	90802

Lead time: 1 working day

Conveyor Criteria	Belt Positioner™	PTEZ™	PT Smart™	Heavy Duty PTEZ™	PT Pro™	Heavy Duty PT Pro™	PT Max™	Heavy Duty PT Max™	Super Duty PT Max™
Top side mistracking	No	No	No	No	No	No	Yes	Yes	Yes
Return side mistracking	Yes	Yes	Yes	Yes	Yes	Yes	Yes	Yes	Yes
Reversing	Yes	Yes	No	Yes	Yes	Yes	No	No	No
Belt mistracking to one side	Better	Better	Better	Better	Better	Better	Better	Better	Better
Belt mistracking to both sides	Acceptable	Better	Best	Better	Better	Better	Best	Best	Best
Inconsistent tracking problem	Good	Better	Best	Better	Better	Better	Best	Best	Best
Belt is cupped (heavy)	Best ‡	Better ‡	Better	Better ‡	Better	Better	Better	Better	Better
Belt has edge damage	Best	Best	Good	Best	Best	Best	Good	Good	Good
Ease of Installation	Best	Better	Good	Better	Good	Good	Good	Good	Good
Belt has low running tension (150-300 PIW)	Good	Good	Good	Good	Good	N/A	Good	N/A	N/A
Belt has medium running tension (300-1600 PIW)	Better	Better	Better	Better	Better	Better	Best	Best	Best
Belt has high running tension (1600+ PIW)	N/A	N/A	N/A	Good	N/A	Best	Better	Best	Best
Approx. "upstream" effect *Δ	15 M	6 M	6 M	6 M	6 M	6 M	15 M	15 M	15 M
Approx. "downstream" effect *Δ	15 M	30 – 36 M	36 – 45 M	30 – 36 M	30 – 36 M	30 – 36 M	45 – 61 M	45 – 61 M	45 – 61 M

‡ Installed on the clean side of the return belt

* Typical results; actual results may vary

Δ Disc idlers have the potential to reduce these numbers

Authorised Distributor: