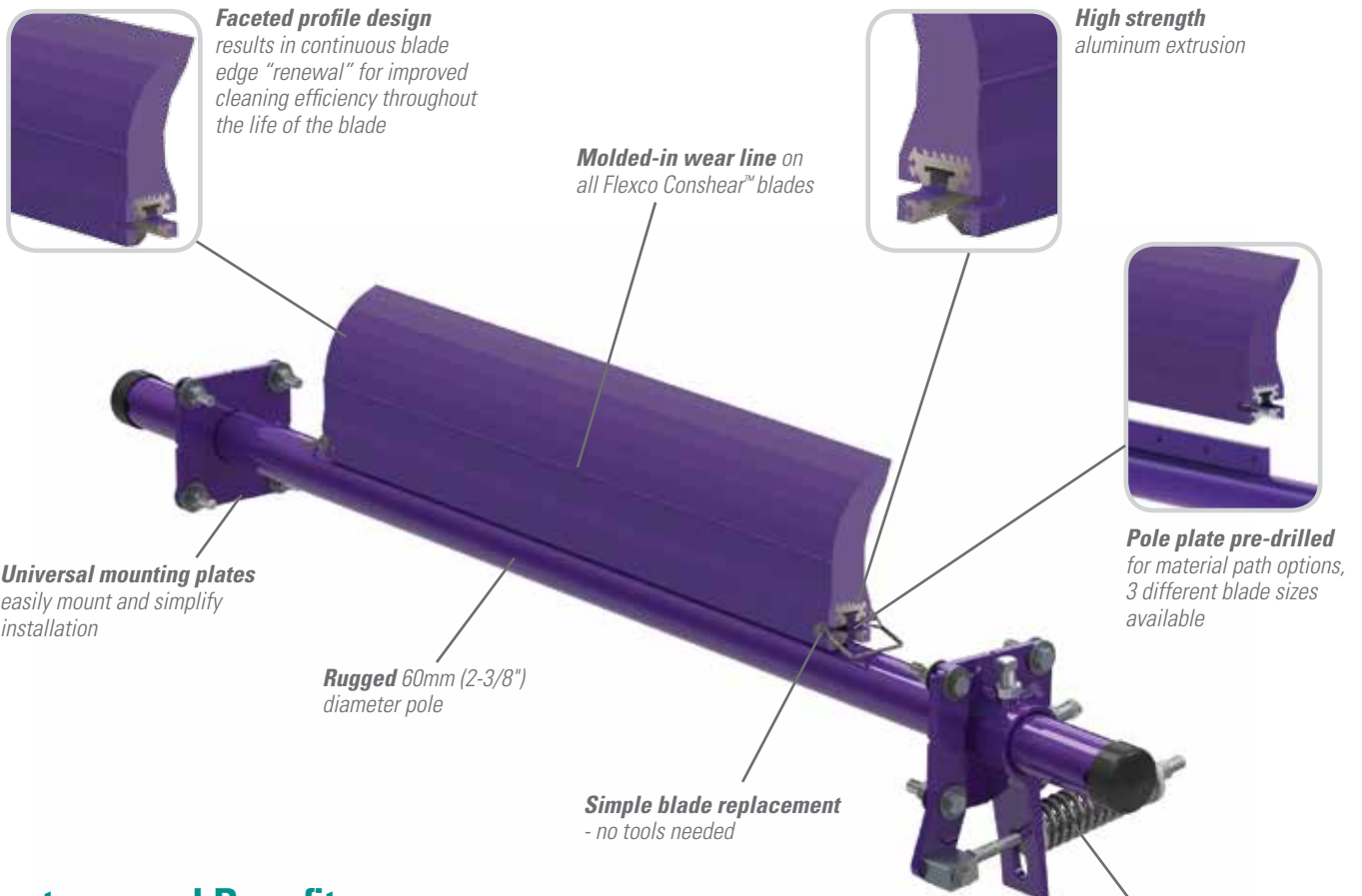


EZP1 Rockline® Standard-Duty Precleaner

Simple, Quick, Effective Belt Cleaning for Cement Operations

The EZP1 Precleaner is not your average solid-blade belt cleaner that mounts on the head pulley. It features a unique single blade design that combines simple, do-it-yourself installation, quick maintenance, and effective cleaning results with a price tag that you can afford. Install the EZP1 anywhere throughout the process where dust is widespread to facilitate the capture of usable material and avoid potential safety citations for hazardous piles.



Features and Benefits

- **Works with Flexco mechanical splices.** The spring tensioner allows the blade to quickly move away from the belt when a splice passes. The polyurethane blade material easily glides over the splice without damage and with minimal cleaning disruption.
- **Compact, streamlined design.** The EZP1 Precleaner requires only 100 mm (4") of horizontal clearance for correct installation. Its streamlined contours prevent material buildup on the blade or the pole.
- **Can be used on reversing belts.** Installing cleaners on both pulleys gives superior cleaning results on belts that run in both directions.
- **Fits most conveyor structures.** Available for belt widths from 300 to 1800mm (12" to 72").
- **Blade can be used on other cleaners.** The ConShear™ blade can be used as a replacement blade on many OEM cleaners.

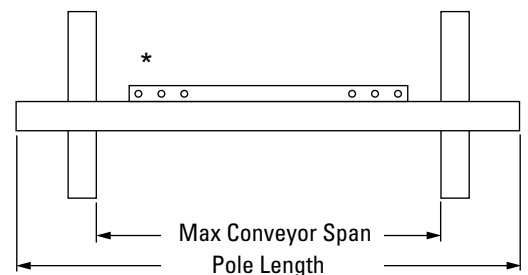
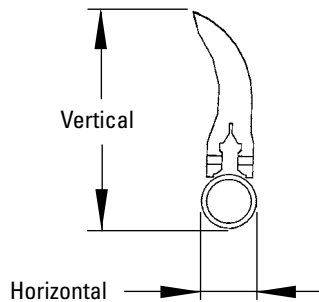
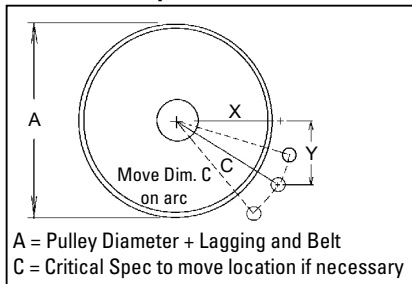
EZP1

Rockline® Standard-Duty Precleaner

Specifications and Guidelines

- **Maximum Belt Speed**
3.5 M/sec (700 FPM)
- **Temperature Rating**
-35°C to 82°C (-30°F to 180°F)
- **Minimum Pulley Diameter**
250mm (10")
- **Blade Height**
185mm (7-1/4")
- **Usable Blade Wear Length**
100mm (4")
- **Blade Material**
Polyurethane 83 durometer (proprietary blend for abrasion resistance and long wear)
- **CEMA Cleaner Rating**
Class 3
- **Available for Belt Widths**
300 to 1800mm (12" to 72")
- **Horizontal Clearance Required**
100mm (4")
- **Vertical Clearance Required**
238mm (9-1/2")
- **Pole Length**
Cleaner size up to 1200mm (48") + 750mm (30")
Cleaner size over 1200mm (48") + 850mm (34")
- **Maximum Conveyor Span**
Cleaner size up to 1200mm (48") + 625mm (25")
Cleaner size over 1200mm (48") + 725mm (29")

Pole Location Specs



Pole Location Chart

A	X	Y	C	A	X	Y	C	A	X	Y	C
250	74	230	242	500	235	230	329	725	374	230	439
275	92	230	248	525	249	230	339	775	389	230	452
300	108	230	254	550	266	230	352	775	403	230	464
325	131	230	265	575	283	230	365	825	417	230	477
350	146	230	273	600	299	230	377	825	432	230	489
375	166	230	284	625	314	230	390	850	446	230	501
400	179	230	291	650	330	230	402	875	460	230	514
425	195	230	301	675	346	230	415	900	474	230	526
450	207	230	309	700	360	230	427				

Ordering Information

EZP1 Precleaners - Belt Width -2" (50mm) Blade					
Belt Width		Blade Coverage		Ordering Number	Item Code
mm	in.	mm	in.		
300	12	250	10	EZP1-212	75610
450	18	400	16	EZP1-218	75611
600	24	550	22	EZP1-224	75612
750	30	700	28	EZP1-230	75613
900	36	850	34	EZP1-236	75614
1050	42	1000	40	EZP1-242	75615
1200	48	1150	46	EZP1-248	75616
1350	54	1300	52	EZP1-254	75617
1500	60	1450	58	EZP1-260	75618
1800	72	1750	70	EZP1-272	75771

EZP1 Precleaners - Belt Width -8" (200mm) Blade					
Belt Width		Blade Coverage		Ordering Number	Item Code
mm	in.	mm	in.		
300	12	-	-	N/A	N/A
450	18	250	10	EZP1-818	75779
600	24	400	16	EZP1-824	75780
750	30	550	22	EZP1-830	75781
900	36	700	28	EZP1-836	75782
1050	42	850	34	EZP1-842	75783
1200	48	1000	40	EZP1-848	75784
1350	54	1150	46	EZP1-854	75785
1500	60	1300	52	EZP1-860	75786
1800	72	1600	64	EZP1-872	75774

ConShear™ Replacement Blades			
Blade Width		Ordering Number	Item Code
mm	in.		
250	10	CRB10	75628
400	16	CRB16	75629
550	22	CRB22	75630
700	28	CRB28	75631
850	34	CRB34	75632
1000	40	CRB40	75633
1150	46	CRB46	75634
1300	52	CRB52	75635
1450	58	CRB58	75636
1600	64	CRB64	75775
1750	70	CRB70	75773

Authorized Distributor:

