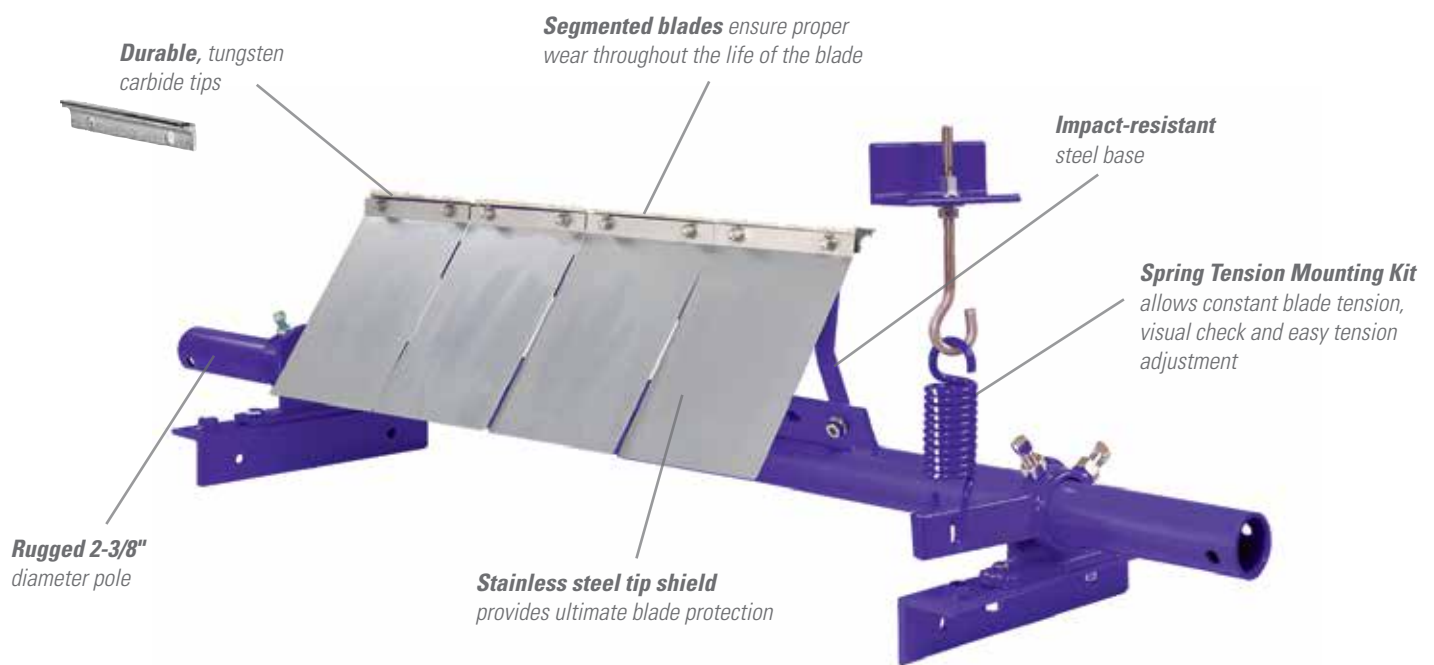


# H-Type® High-Temp Precleaner with V-Tips

## Vulcanized Clinker Belts, High Temp Precleaner

The Flexco H-Type® Precleaner with High Temperature V-Tips is designed to be positioned on the head pulley and to remove the bulk of the carryback from the belt. It has the ability to withstand ambient temperatures up to 400° F (204° C) and spikes up to 450° F (232° C). Proven performance over 20 years as the most efficient primary cleaner for vulcanized belts carrying abrasive clinker in high heat cement applications.



### Features and Benefits

- **Works with vulcanized belts.** The tungsten carbide tips allow for maximum cleaning efficiency and superior wear characteristics. Comes with protected tips for abrasive applications.
- **Complete cleaning system.** When teamed with a secondary cleaner, it makes up a system that delivers maximum cleaning power for the most abusive conveyor applications.
- **Made for mining conveyors.** Made from heavy-duty steel with corrosion-resistant powder coating, the H-Type® is available in sizes for belt widths from 18" to 48" (450 to 1200mm). Additional sizes are available upon request.
- **Optimal positioning.** Blade contact on the pulley is 15° below the horizontal centerline. This keeps the blades out of the discharge path and protects them from rocks, large lumps and other debris.

# H-TYPE® High-Temp Precleaner with V-Tips

## Specifications and Guidelines

**Maximum Belt Speed**  
1000 FPM (5 M/sec)

**Temperature Rating**  
-30° F to 400° F (-35° C to 204° C)  
spikes up to 450° F (232° C)

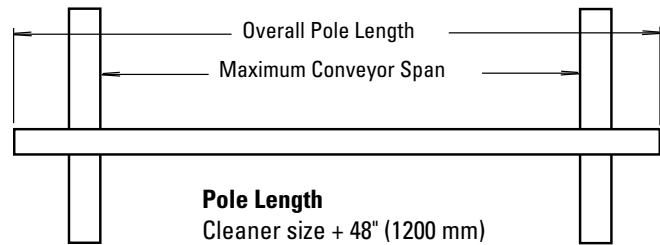
**Minimum Pulley Diameter**  
8" (200 mm)

**Usable Blade Wear Length**  
3/8" (9 mm)

**Blade Material**  
Tungsten carbide (for vulcanized belts only)

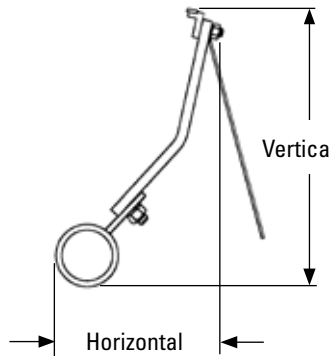
**Available for Belt Widths**  
18" to 48" (450 to 1200 mm)

**CEMA Cleaner Rating**  
Class 3



**Pole Length**  
Cleaner size + 48" (1200 mm)

**Maximum Conveyor Span**  
Cleaner size + 38" (950 mm)



**Horizontal Clearance Required**  
7" (175 mm)

**Vertical Clearance Required**  
SS: 13" (325 mm)  
S: 15" (375 mm)  
M: 16-1/2" (413 mm)

Ordering Information				
High Temp Precleaner with V-Tips				
Belt Width	Suspension Arm Size	Ordering Number	Item Code	
in.	mm			
18	450	SS	HTV18SS	74821
18	450	S	HTV18S	74828
24	600	SS	HTV24SS	74822
24	600	S	HTV24S	74829
30	750	SS	HTV30SS	74823
30	750	S	HTV30S	74830
36	900	SS	HTV36SS	74824
36	900	S	HTV36S	74831
36	900	M	HTV36M	74838
42	1050	SS	HTV42SS	74825
42	1050	S	HTV42S	74832
42	1050	M	HTV42M	74839
48	1200	SS	HTV48SS	74826
48	1200	S	HTV48S	74833
48	1200	M	HTV48M	74840

Suspension arm size is determined by head pulley diameter - see chart.  
Pole Diameter - 2-3/8" (60mm)  
Lead time: 1 working day

Suspension Arm Size		
Head Pulley Diameter + Belt & Lagging		Suspension Arm Size
in.	mm	
8 - 15	200 - 375	SS
16 - 27	400 - 675	S
28 - 35	700 - 875	M

Replacement V-Tips	
Ordering Number	Item Code
HVT8	73042

Lead time: 1 working day

Replacement Suspension Arms		
Suspension Arm Size	Ordering Number	Item Code
SS	HSA8SS	73047
S	HSA8S	73048
M	HSA8M	73049

Lead time: 1 working day

Authorized Distributor: