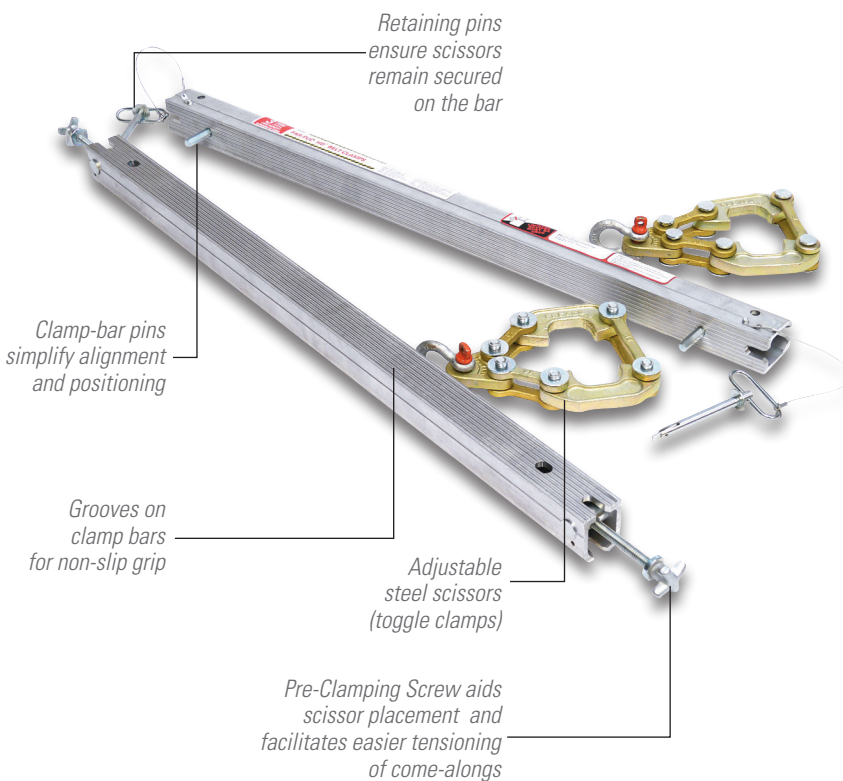


FAR-PUL™ HD® Belt Clamp

Safely Lock Belt Securely in Place

Avoid the problems and potential dangers associated with homemade devices such as c-clamps, lumber and chains. Far-Pul™ HD® Belt Clamps are specially designed to properly secure a belt and clamp it for safe belt conveyor maintenance.



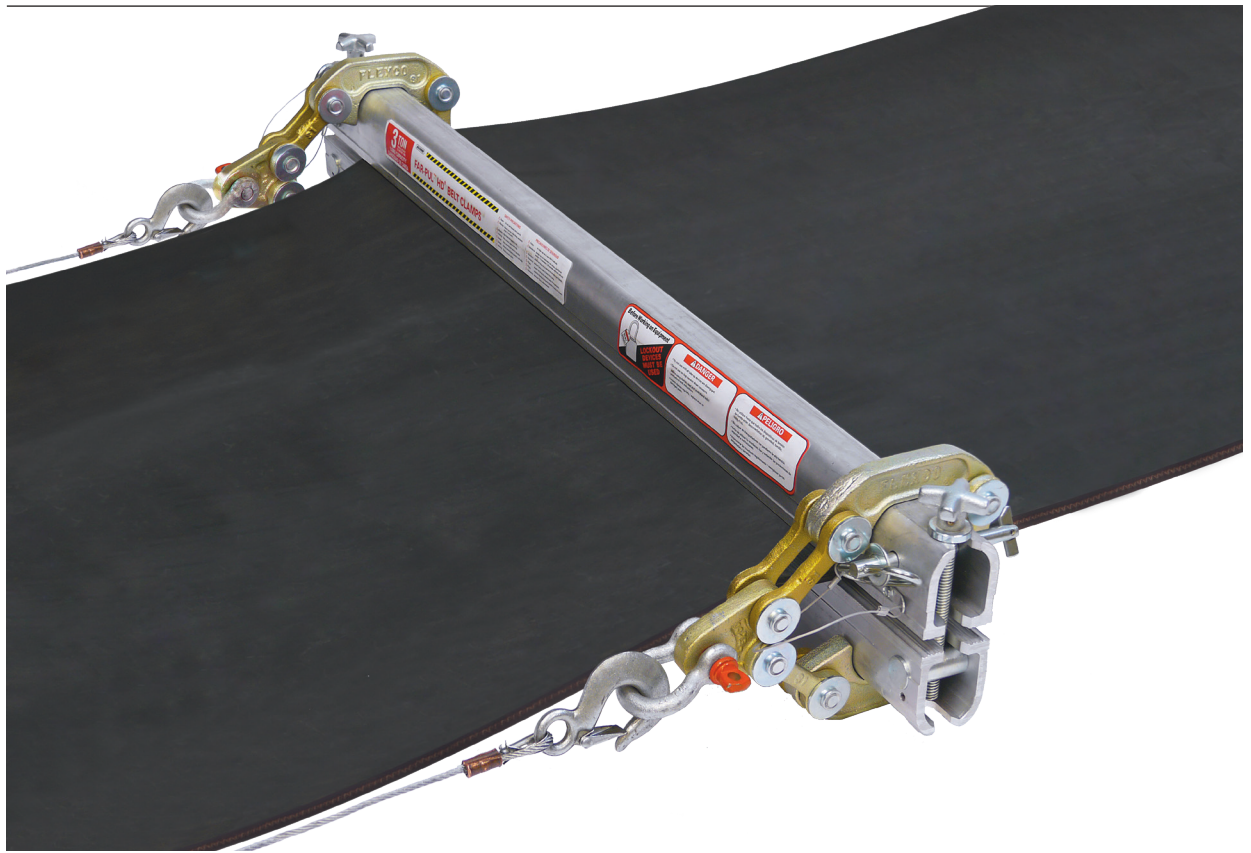
Unique design, easily adjustable

The unique design of the Far-Pul™ HD® Belt Clamp provides even tensioning across the entire belt width for a secure grip. And with a load capacity of up to 2.7 metric tons (3 tons), when used with two 1-1/2-ton chain come-alongs, it is ideal for rubber covered and PVC heavy-duty belting from 6 mm (7/32") to 25 mm (1") thick.

The Far-Pul HD also accommodates a variety of belt widths. So the need to inventory different clamp bars for different belt widths is eliminated. Our pre-clamping screw allows you to slide the scissors on to the bars in a quick, efficient, and safe manner. Clamping scissors slide easily into place against both belt edges for easy adjustability. And clamp-bar pins simplify alignment and positioning.

FAR-PUL™ HD®

Belt Clamp



Far-Pul™ HD® clamp bars are constructed from heat-treated extruded aluminum so they resist corrosion and won't seize up in wet and corrosive environments. Clamps include adjustable steel scissors.

Engineered for heavy-duty applications

- Aggregate
- Steel
- Coal
- Potash
- Grain
- Foundry
- Salt

Far-Pul™ HD® Belt Clamps				
Belt Width		Ordering Number	Weight	
mm	in.		kgs.	lbs.
Up to 750	Up to 30	LSHD30	42.2	93.0
Up to 900	Up to 36	LSHD36	44.9	99.0
Up to 1050	Up to 42	LSHD42	48.1	106.0
Up to 1200	Up to 48	LSHD48	50.8	112.0
Up to 1350	Up to 54	LSHD54	54.0	119.0
Up to 1500	Up to 60	LSHD60	57.6	127.0
Up to 1800	Up to 72	LSHD72	63.0	139.0

Note: A complete set of Far-Pul™ HD® Belt Clamps includes four clamp bars and four steel clamp scissors with carry bag. Come-alongs not included.

Aluminum Content		
Aluminum Alloy Type	Percent	
	Mg Magnesium	Ti Titanium
6061	1.00%	0%

Authorised Distributor:

Flexco Europe GmbH • Maybachstrasse 9 • 72348 Rosenfeld • Germany
Tel: +49-7428-9406-0 • Fax: +49-7428-9406-260 • E-mail: europe@flexco.com

Visit www.flexco.com for other Flexco locations and products.

©2017 Flexible Steel Lacing Company. HD® is a registered trademark. 05-14-20. For reorder: X4731

