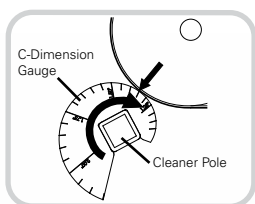


FGP Food Grade Precleaner

USDA Certified Precleaner Meets Highest Standards for Food Processing Applications

The FGP Food Grade Precleaner from Flexco is easy to install, easy to maintain, and disassembles in a snap for regular cleaning and sanitisation. The FGP Precleaner works on any belt from 100 mm to 1500 mm and the blade is available in white, blue, metal detectable blue, and dual durometer blue FDA approved food grade material.



C-Dimension verification gauge makes it easy to set the proper pole location for optimal cleaner performance—the four optional mounting bracket designs help simplify complex installation

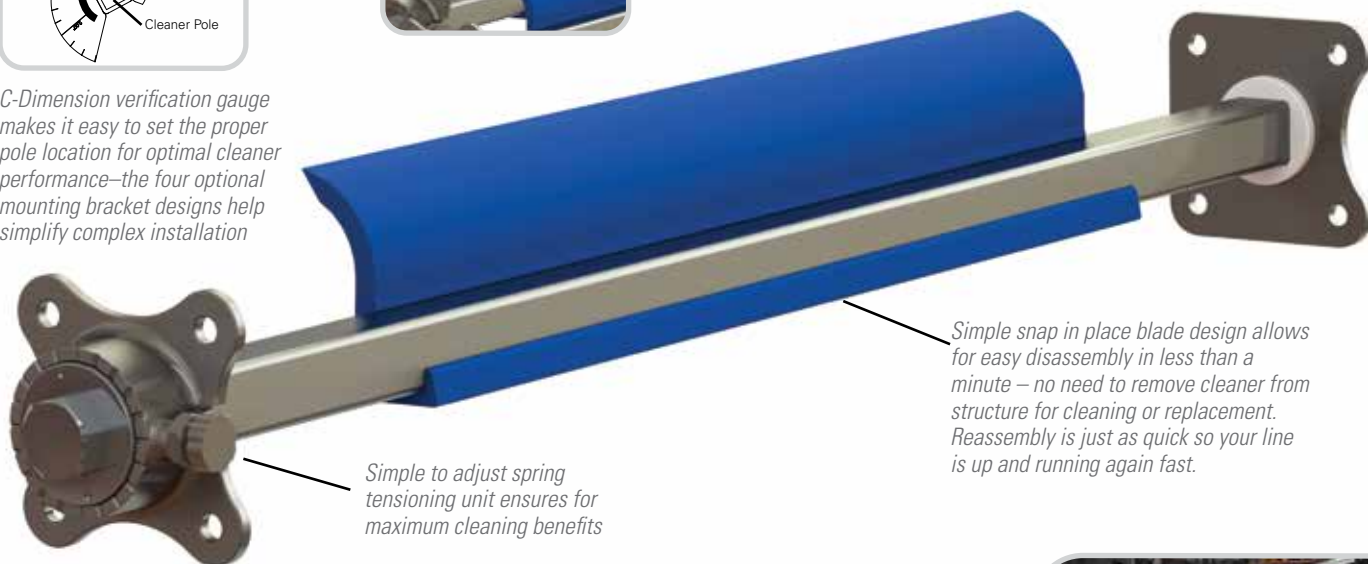


Cleaner blades are available in blue, white, dual durometer blue, and metal detectable blue



The FGP Precleaner is:

- Made from FDA approved materials
- USDA certified
- Compliant with EU 1935/2004 Food Contact Regulation
- Accepted by Health Canada

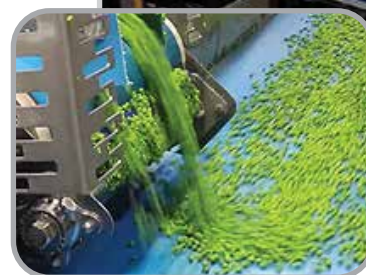


Simple to adjust spring tensioning unit ensures for maximum cleaning benefits

Simple snap in place blade design allows for easy disassembly in less than a minute – no need to remove cleaner from structure for cleaning or replacement. Reassembly is just as quick so your line is up and running again fast.

Features and Benefits:

- **Minimal hardware** so installation, tensioning, and blade replacement are easy.
- **Simple design** with stainless steel components and food grade materials limit crevices and opportunities for bacteria growth.
- **Easily tensioned** to minimise blade wear, eliminate belt damage, and maximise cleanability.
- **Optional metal detectable blue blade** for additional protection against food contamination.
- **Dual durometer blade** with metal detectable tip for uneven or soft cover belts.
- **Available in standard blade widths** for belts from 300 mm to 1500 mm (12" to 60"). Blades can be cut down to appropriate length.
- **Compatible** with endless and mechanical splices. Suitable for use on modular belting.

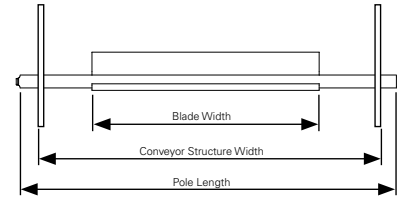


Patents: D776,396 and 0029948222-0001

FGP Food Grade Precleaner

Specifications:

- **Temperature Range**
UHMW:
-29°C to 60°C
Dual Durometer:
0°C to 60°C
- **Blade Height**
76 mm
- **Blade Width Range**
102 to 1524 mm
- **Pole/Mounting Material**
304 Stainless Steel
- **Blade Hardness**
UHMW:
63D Shore Hardness
Urethane:
33D Shore Hardness
- **Pulley Diameter Range**
50 to 267 mm
- **Blade Material**
Food-grade UHMW, UHMW
with Stainless Steel, or
Urethane with PVC



How to choose the correct size blade for your conveyor.

1. Measure your belt width.
2. Choose the Blade Width that corresponds to your belt width.
3. Measure your conveyor width.
4. Verify the Maximum Conveyor Width shown in the selection chart is larger than your conveyor width. If your conveyor width is smaller than the maximum width shown, choose the next larger blade width that accommodates your conveyor width.
5. Blade and/or pole can be cut to users required length. Pole must be 50 mm longer than the outside width of conveyor structure at the mounting location.

| Pole Lengths | | | | |
|--------------|-----------------------|----------------------|---|---|
| Pole Length | Standard Blade Length | Minimum Blade Length | Minimum Conveyor Width at Cleaner Mounting Location | Maximum Conveyor Width at Cleaner Mounting Location |
| mm | mm | mm | mm | mm |
| 610 | 305 | 229 | 279 | 556 |
| 813 | 457 | 229 | 356 | 708 |
| 965 | 610 | 229 | 508 | 861 |
| 1067 | 813 | 457 | 660 | 1013 |
| 1219 | 965 | 457 | 813 | 1165 |
| 1372 | 1067 | 457 | 965 | 1318 |
| 1524 | 1219 | 457 | 1118 | 1470 |
| 1676 | 1372 | 457 | 1270 | 1623 |
| 1829 | 1524 | 457 | 1422 | 1775 |

*Pole length = blade length + 305 mm on standard cleaners.

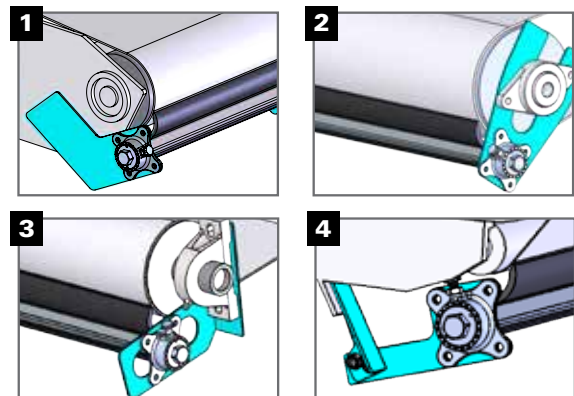
FGP Food Grade Precleaner

| Blade Width | Maximum Conveyor Width | Weight | White Blade | | Blue Blade | | Blue Metal Detectable Blade | | Blue Dual Durometer Blade* | |
|-------------|------------------------|--------|-----------------|-----------|-----------------|-----------|-----------------------------|-----------|----------------------------|-----------|
| | | | Ordering Number | Item Code | Ordering Number | Item Code | Ordering Number | Item Code | Ordering Number | Item Code |
| mm | mm | kg. | | | | | | | | |
| 305 | 559 | 3.0 | FGP-W3-12 | 56009 | FGP-BL3-12 | 56000 | FGP-MD3-12 | 56027 | FGP-MDDD3-12 | 56018 |
| 457 | 711 | 3.5 | FGP-W3-18 | 56010 | FGP-BL3-18 | 56001 | FGP-MD3-18 | 56028 | FGP-MDDD3-18 | 56019 |
| 610 | 864 | 3.9 | FGP-W3-24 | 56011 | FGP-BL3-24 | 56002 | FGP-MD3-24 | 56029 | FGP-MDDD3-24 | 56020 |
| 762 | 1016 | 4.3 | FGP-W3-30 | 56012 | FGP-BL3-30 | 56003 | FGP-MD3-30 | 56030 | FGP-MDDD3-30 | 56021 |
| 914 | 1168 | 4.8 | FGP-W3-36 | 56013 | FGP-BL3-36 | 56004 | FGP-MD3-36 | 56031 | FGP-MDDD3-36 | 56022 |
| 1067 | 1321 | 5.2 | FGP-W3-42 | 56014 | FGP-BL3-42 | 56005 | FGP-MD3-42 | 56032 | FGP-MDDD3-42 | 56023 |
| 1219 | 1473 | 5.6 | FGP-W3-48 | 56015 | FGP-BL3-48 | 56006 | FGP-MD3-48 | 56033 | FGP-MDDD3-48 | 56024 |
| 1372 | 1626 | 6.0 | FGP-W3-54 | 56016 | FGP-BL3-54 | 56007 | FGP-MD3-54 | 56034 | FGP-MDDD3-54 | 56025 |
| 1524 | 1778 | 6.4 | FGP-W3-60 | 56017 | FGP-BL3-60 | 56008 | FGP-MD3-60 | 56035 | FGP-MDDD3-60 | 56026 |

*Dual durometer blade is not compliant with Health Canada or EU 1935/2004.

FGP Optional Mounting Brackets (Bolt or Weld)

| Description | Ordering Number | Item Code |
|------------------------|--------------------------|-----------|
| 1 Frame Mount | FGP-MOUNT-FRAME | 56585 |
| 2 Flange Bearing Mount | FGP-MOUNT-FLANGE-BEARING | 56586 |
| 3 Base Bearing Mount | FGP-MOUNT-BASE-BEARING | 56587 |
| 4 Two-Piece Mount | FGP-MOUNT-TWO-PIECE | 56588 |



Authorised Distributor:

Flexco Europe GmbH • Maybachstrasse 9 • 72348 Rosenfeld • Deutschland
Tel: +49-7428-9406-0 • Fax: +49-7428-9406-260 • E-mail: europe@flexco.com

Visit www.flexco.com for other Flexco locations and products.

©2020 Flexible Steel Lacing Company. 04/27/20. For Reorder: X4539

