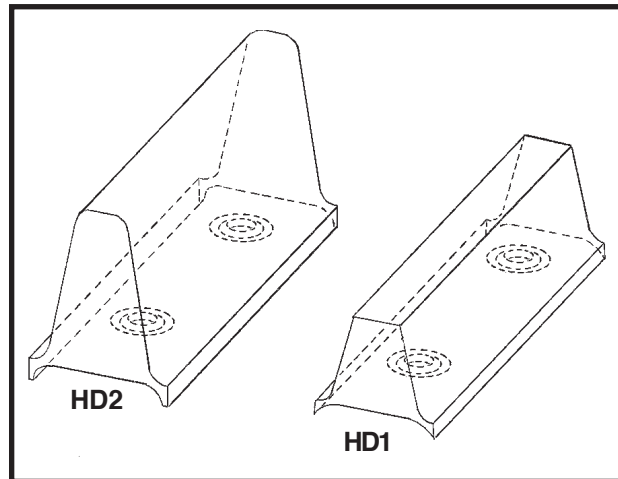


Tatch-A-Cleat® Model HD™ Installation Instructions

TATCH-A-CLEAT®

TOOLS REQUIRED:

- Hammer
- Flexco® #3 Punch
- Screwdriver



INSTRUCTIONS:

1. Mark belt for desired spacing between cleats. Draw lines across belt width.
2. At each line use a cleat as a guide to mark off the hole spacing. Lay cleat flat on belt with base of cleat facing you and parallel to the cleat-spacing lines drawn across the belt. Push cleat back approximately 1/2". Intersect the cleat spacing lines on belt with a short straight mark in line with center of each large hole in the base of the cleat.
3. This should locate the cross-hairs exactly 2" apart.
4. Punch clean 3/8" diameter holes using #3 Flexco punch.
5. Start all screws before any are tightened. Tighten screw until washer is flush with bottom of the belt.



2525 Wisconsin Avenue • Downers Grove, IL 60515-4200 • USA
Tel: (630) 971-0150 • Fax: (630) 971-1180 • E-mail: info@flexco.com

Visit www.flexco.com for other Flexco locations and products.

Flexco® and Tatch-A-Cleat® are registered trademarks of Flexible Steel Lacing Company.
©2017 Flexible Steel Lacing Company. 01/25/17. For reorder: X4535

