

# HV2 Precleaner with V-Tips

## High Efficiency Tungsten-Carbide Precleaner

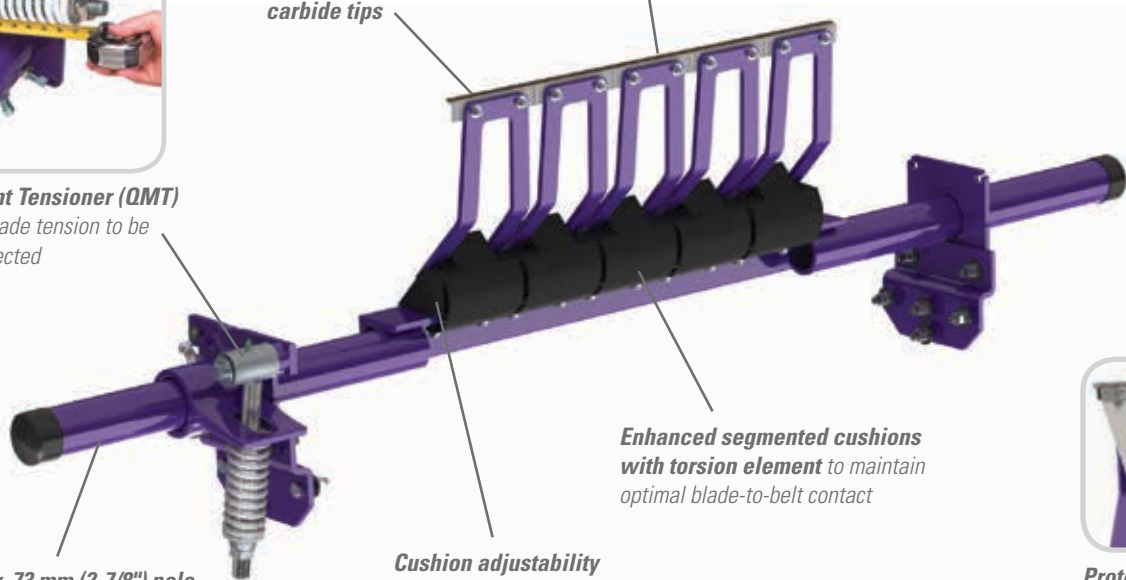
The Flexco HV2 Precleaner with V-Tips is designed to be positioned on the head pulley and to remove the bulk of the carryback from the belt. Utilizing a new cushion design, the HV2 improves on the H-Type which has proven performance over 20 years as the most efficient pre-cleaner in material handling applications such as coal, iron ore, bauxite and hard rock mining with vulcanized belts.



**Quick Mount Tensioner (QMT)**  
allows the blade tension to be visually inspected

**Durable tungsten carbide tips**

**152mm (6") segmented blades** ensure proper wear throughout the life of the blade



**Heavy-duty, 73 mm (2-7/8") pole**  
ensures durability for those tough applications

**Cushion adjustability**  
so no shimming is required

**Enhanced segmented cushions with torsion element** to maintain optimal blade-to-belt contact



**Protected V-Tip Option**

### Features and Benefits

- **Works with vulcanized belts.** The tungsten carbide tips allow for maximum cleaning efficiency and superior wear characteristics. Also available with protected tips for abrasive applications.
- **Complete cleaning system.** When teamed with a secondary cleaner, it makes up a system that delivers maximum cleaning power for the most abusive conveyor applications.
- **Made for mining conveyors.** Made from heavy-duty steel with corrosion-resistant powder coating, the HV2 is available in sizes for belt widths from 450 to 1800mm" (18" to 72). Additional sizes are available upon request.
- **Optimal positioning.** Blade contact on the pulley is 15° below the horizontal centerline. This keeps the blades out of the discharge path and protects them from rocks, large lumps and other debris.
- **150mm (6") Tips** for better conformity to the belt.
- **Incorporates torsion element design** and cushion adjustability so no shimming is required to ensure proper blade to belt contact.

# HV2 Precleaner with V-Tips

## Specifications and Guidelines

### Maximum Belt Speed

7.6 M/sec (1500 FPM)

### Temperature Rating

-35° C to 82° C F (-30° F to 180°)

### Minimum Pulley Diameter

250mm (10")

### Usable Blade Wear Length

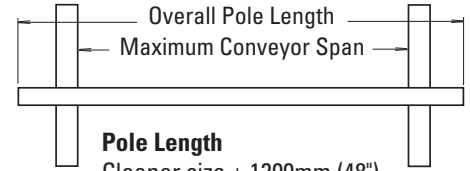
9mm (3/8")

### Blade Material

Tungsten carbide (for vulcanized belts only)

### Available for Belt Widths

450 to 1800mm (18" to 72")



### Pole Length

Cleaner size + 1200mm (48")

### Maximum Conveyor Span

Cleaner size + 950mm (38")

## Ordering Information

HV2 Precleaner with V-Tips*				
Belt Width		Suspension Arm Size	Ordering Number	Item Code
mm	in.			
450	18	SS	HV2-18SS	79323
450	18	S	HV2-18S	79324
450	18	M	HV2-18M	79325
600	24	SS	HV2-24SS	79326
600	24	S	HV2-24S	79327
600	24	M	HV2-24M	79328
750	30	SS	HV2-30SS	79329
750	30	S	HV2-30S	79330
750	30	M	HV2-30M	79331
900	36	SS	HV2-36SS	79332
900	36	S	HV2-36S	79333
900	36	M	HV2-36M	79334
900	36	L	HV2-36L	79335
1050	42	SS	HV2-42SS	79336
1050	42	S	HV2-42S	79337
1050	42	M	HV2-42M	79338
1050	42	L	HV2-42L	79339
1050	42	LL	HV2-42LL	79340
1200	48	SS	HV2-48SS	79341
1200	48	S	HV2-48S	79342
1200	48	M	HV2-48M	79343
1200	48	L	HV2-48L	79344
1200	48	LL	HV2-48LL	79345
1350	54	S	HV2-54S	79346
1350	54	M	HV2-54M	79347
1350	54	L	HV2-54L	79348
1350	54	LL	HV2-54LL	79349
1500	60	S	HV2-60S	79350
1500	60	M	HV2-60M	79351
1500	60	L	HV2-60L	79352
1500	60	LL	HV2-60LL	79353
1800	72	S	HV2-72S	79354
1800	72	M	HV2-72M	79355
1800	72	L	HV2-72L	79356
1800	72	LL	HV2-72LL	79357

\*NOTE: V-Tips can be used ONLY on vulcanized belts.

Suspension arm size is determined by head pulley diameter - see chart.

Additional sizes available upon request.

Lead time: 1 working day

Suspension Arm Size		
Head Pulley Diameter + Belt & Lagging		Suspension Arm Size
mm	in.	
250-475	10 - 19	SS
500-775	20 - 31	S
800-975	32 - 39	M
1000-1175	40 - 47	L
1200-1675	48 - 67	LL

### Replacement V-Tips

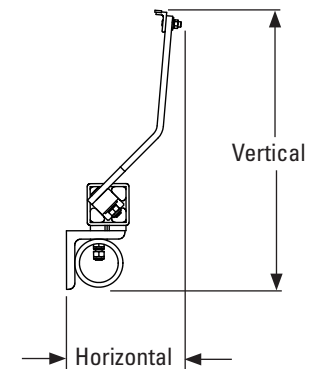
Ordering Number	Item Code
HV2T-S/S	79367

Lead time: 1 working day

### Replacement Protected V-Tips

Ordering Number	Item Code
HV2PT	79368

Lead time: 1 working day



**Horizontal Clearance Required**  
210mm (8-1/4")

### Vertical Clearance Required

SS: 320mm (12-5/8)

S: 390mm (15-3/8")

M: 416mm (16-5/8")

L: 445mm (17-1/2")

LL: 511mm (20-1/8")

Authorized Distributor:



2 Woodlands Sector 1 • #01-21 • Woodlands Spectrum I • Singapore 738068

Tel: +65-6484-1533 • Fax: +65-6484-1531 • E-mail: [asiasales@flexco.com](mailto:asiasales@flexco.com)

Visit [www.flexco.com](http://www.flexco.com) for other Flexco locations and products.

©2015 Flexible Steel Lacing Company. 09/15. For reorder: X4013