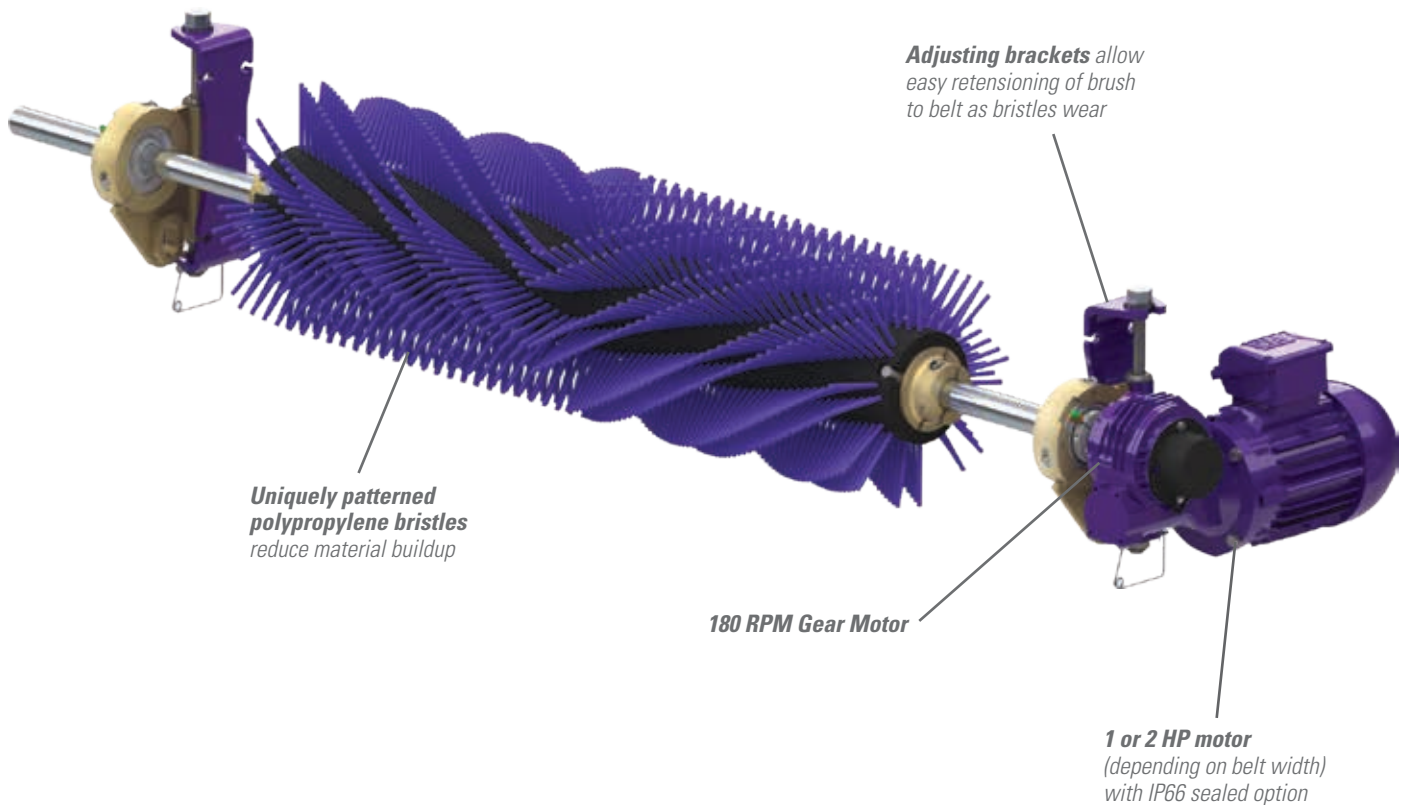


MOTORISED BRUSH CLEANER

Effective Cleaning Solution for Chevron, Cleated and Raised-rib Belts

Chevron, cleated and raised-rib belts present a special problem for efficient cleaning. The Motorised Brush Cleaner is an ideal option for cleaning these belts. It also performs well as the second or third cleaner in a system with worn or pitted belts, as the bristles effectively dislodge trapped material.



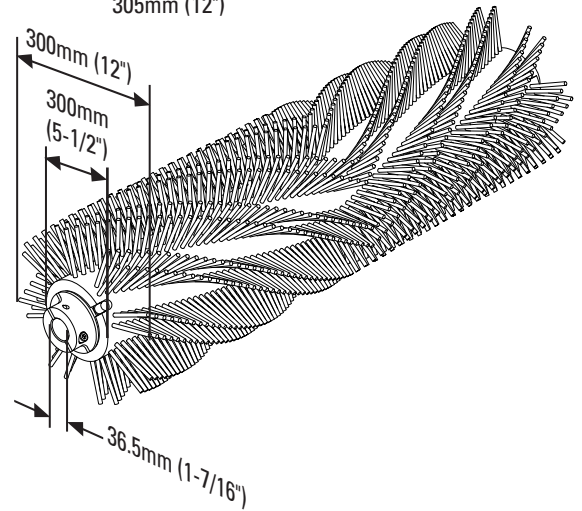
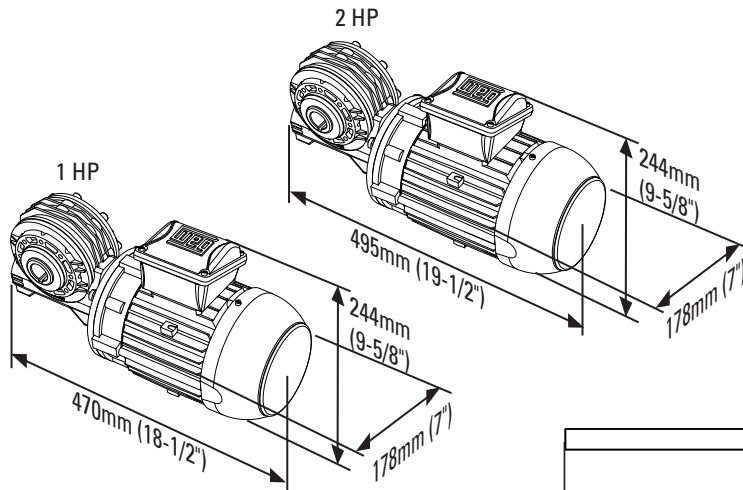
Features and Benefits

- **Maximum Cleaning.** Spins opposite the belt direction for optimal cleaning.
- **Uniquely patterned bristles.** Aids in reducing material buildup and clogging.
- **Adjustable tensioners.** Allows easy brush-to-belt adjustment as the bristles wear.
- **Works on mechanically spliced or vulcanized belts.**

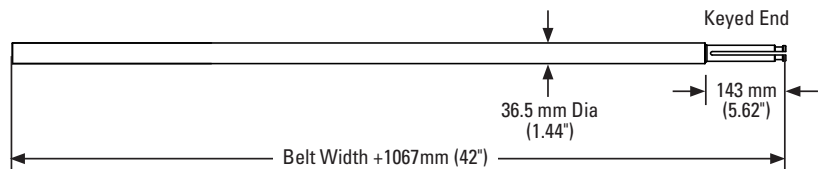
MOTORISED BRUSH CLEANER

Specifications and Guidelines

- **Maximum Belt Speed**
3.5 m/s (700 FPM)
- **Temperature Rating**
-30° C to 82° C (-20°F to 180° F)
- **Overall Brush Diameter**
305mm (12")
- **Bristle Material**
Polypropylene
- **Bristle Length**
83mm (3-1/4")
- **Brush RPM**
180
- **Shaft Diameter**
36.5mm (1-7/16")
- **Shaft Length**
Belt Width + 915mm (36")
- **Maximum Chevron or Cleat Height**
13mm (1/2")
- **Motor Voltage and HP**
208-230/460VAC 3 Phase*
1HP Cleaners 450-1050mm (18-42")
2HP Cleaners 1200-2100mm (48-84")
575V 3 Phase*
1HP Cleaners 450-900mm (18-36")
2HP Cleaners 1050-2100mm (42-84")
other motors available upon request
- **Motor Ingress Protection**
IP55 or IP66
- **Available for Belt Widths**
450 to 2100mm (18" to 84")
- **Horizontal Clearance Required**
305mm (12")
- **Vertical Clearance Required**
305mm (12")



Shaft Measurements



Ordering Information

| Motorized Brush Cleaner 208-230/460 VAC 3-Phase Motor | | | | | |
|--|-----|----------------|-----|-----------------|-----------|
| Belt Width | | Brush Coverage | | Ordering Number | Item Code |
| mm | in. | mm | in. | | |
| | | | | IP55 | |
| | | | | IP66 | |
| 450 | 18 | 450 | 18 | MBC-18 | 79494 |
| 600 | 24 | 600 | 24 | MBC-24 | 79495 |
| 750 | 30 | 750 | 30 | MBC-30 | 79496 |
| 900 | 36 | 900 | 36 | MBC-36 | 79497 |
| 1050 | 42 | 1050 | 42 | MBC-42 | 79498 |
| 1200 | 48 | 1200 | 48 | MBC-48 | 79499 |
| 1350 | 54 | 1350 | 54 | MBC-54 | 79500 |
| 1500 | 60 | 1500 | 60 | MBC-60 | 79501 |
| 1800 | 72 | 1800 | 72 | MBC-72 | 79502 |
| 2100 | 84 | 2100 | 84 | MBC-84 | 79503 |
| | | | | MBC-18-S | 91571 |
| | | | | MBC-24-S | 91572 |
| | | | | MBC-30-S | 91573 |
| | | | | MBC-36-S | 91574 |
| | | | | MBC-42-S | 91575 |
| | | | | MBC-48-S | 91576 |
| | | | | MBC-54-S | 91577 |
| | | | | MBC-60-S | 91578 |
| | | | | MBC-72-S | 91579 |
| | | | | MBC-84-S | 91580 |

| Motorized Brush Cleaner 575V 3-Phase Motor | | | | | |
|---|-----|----------------|-----|-----------------|-----------|
| Belt Width | | Brush Coverage | | Ordering Number | Item Code |
| mm | in. | mm | in. | | |
| | | | | IP55 | |
| | | | | IP66 | |
| 450 | 18 | 450 | 18 | MBC-18-575V | 79914 |
| 600 | 24 | 600 | 24 | MBC-24-575V | 79915 |
| 750 | 30 | 750 | 30 | MBC-30-575V | 79916 |
| 900 | 36 | 900 | 36 | MBC-36-575V | 79917 |
| 1050 | 42 | 1050 | 42 | MBC-42-575V | 79918 |
| 1200 | 48 | 1200 | 48 | MBC-48-575V | 79919 |
| 1350 | 54 | 1350 | 54 | MBC-54-575V | 79920 |
| 1500 | 60 | 1500 | 60 | MBC-60-575V | 79921 |
| 1800 | 72 | 1800 | 72 | MBC-72-575V | 79922 |
| 2100 | 84 | 2100 | 84 | MBC-84-575V | 79923 |
| | | | | MBC-18-575V-S | 91581 |
| | | | | MBC-24-575V-S | 91582 |
| | | | | MBC-30-575V-S | 91583 |
| | | | | MBC-36-575V-S | 91584 |
| | | | | MBC-42-575V-S | 91585 |
| | | | | MBC-48-575V-S | 91586 |
| | | | | MBC-54-575V-S | 91587 |
| | | | | MBC-60-575V-S | 91588 |
| | | | | MBC-72-575V-S | 91589 |
| | | | | MBC-84-575V-S | 91590 |

| Replacement Brushes | |
|---------------------|-----------|
| Ordering Number | Item Code |
| MBRD-18 | 79514 |
| MBRD-24 | 79515 |
| MBRD-30 | 79516 |
| MBRD-36 | 79517 |
| MBRD-42 | 79518 |
| MBRD-48 | 79519 |
| MBRD-54 | 79520 |
| MBRD-60 | 79521 |
| MBRD-72 | 79522 |
| MBRD-84 | 79523 |

Lead time: 1 working day

Authorized Distributor:

236 Albert Amon Rd • Meadowdale Ext. 7 • Germiston 1614 • South Africa
Tel: +27-11-608-4180 • Fax: +27-11-454-5821 • E-mail: flexco@flexco.co.za

Visit www.flexco.com for other Flexco locations and products.

©2020 Flexible Steel Lacing Company. 11/19/20. For reorder: X3962

