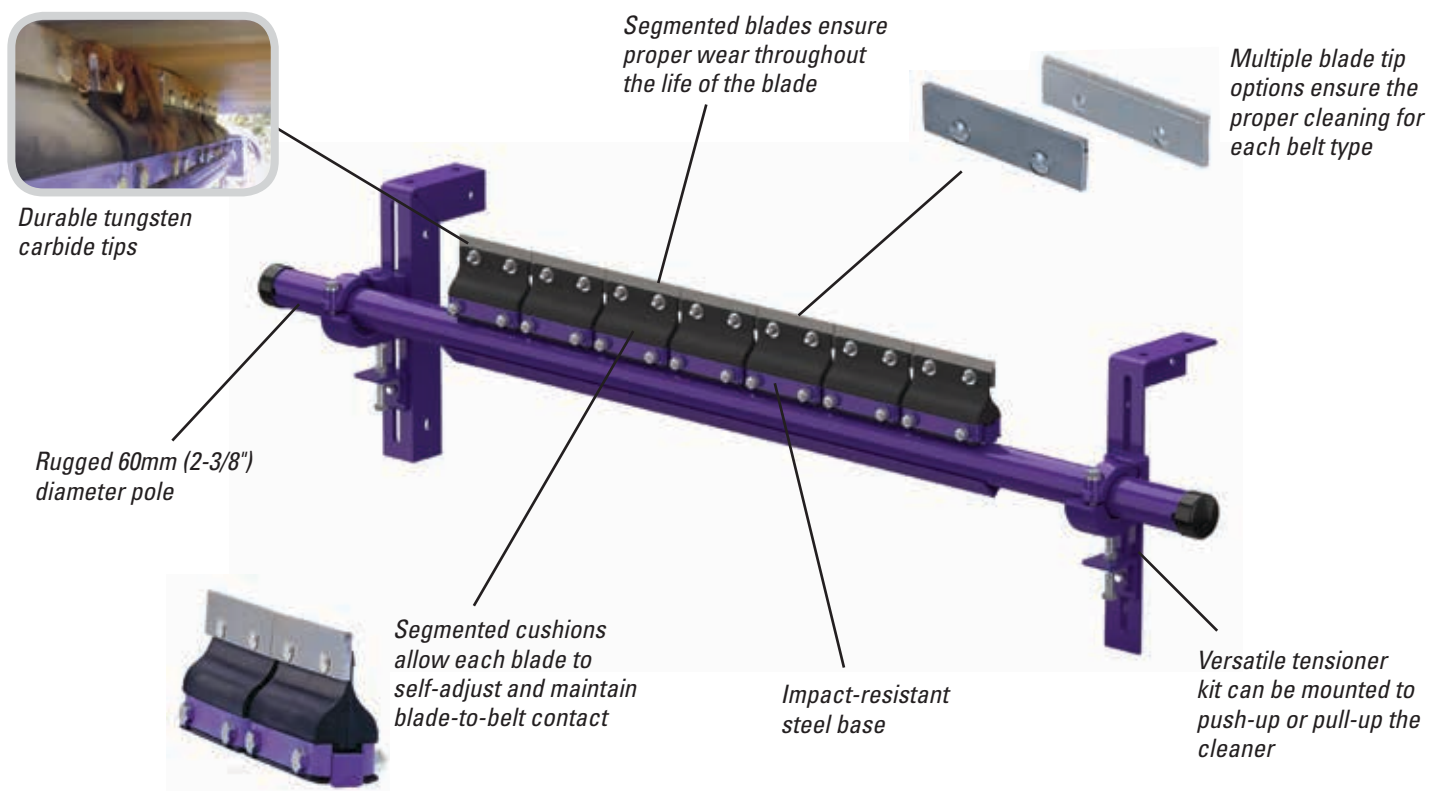


R-TYPE® Secondary Belt Cleaner

Reversing Secondary Belt Cleaner

The Flexco R-Type® Secondary Belt Cleaner is recommended for reversing belts and is designed to be positioned just off the head pulley to remove carryback from the belt. Stand alone, or when used in conjunction with a precleaner, the R-Type cleaner is a reliable choice for maintaining a highly efficient cleaning system.



Features and Benefits

- **Cleaning efficiency of metal blades.** The thin, hard edges of the metal blades deliver high cleaning efficiency and long wear life.
- **Works with Flexco mechanical splices.** The C-Tip tungsten carbide blades are impact-resistant, and the spring cushion allows them to move away from a passing splice without damage and with minimal cleaning disruption. V-Tips can be used only on vulcanized belts.
- **A complete cleaning system.** When the R-Type is teamed with a precleaner the system provides maximum cleaning power for tough applications.
- **Fits most conveyor structures.** Available for belt widths from 450mm to 1800mm (18" to 72").

R-TYPE® Secondary Belt Cleaner

Specifications and Guidelines

Maximum Belt Speed

5 M/sec (1000 FPM)

Temperature Rating

-35° C to 82° C (-30° F to 180° F)

Usable Blade Wear Length

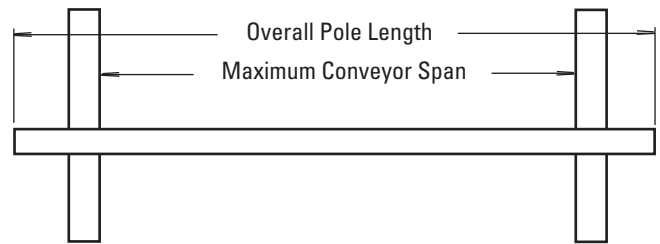
9 mm (3/8")

Blade Material

Impact resistant, long-lasting tungsten carbide (C-Tips for mechanical fasteners, V-Tips for vulcanized belts)

Available for Belt Widths

450 to 1800mm (18" to 72")



Pole Length

Cleaner size up to 1200mm (48") + 750mm (30")

Cleaner size 1350mm (54") and up + 850mm (34")

Maximum Conveyor Span

Cleaner size up to 1200mm (48") + 625mm (25")

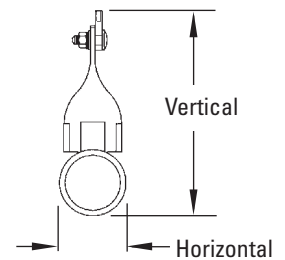
Cleaner size 1350mm (54") and up + 725mm (29")

Horizontal Clearance Required

100mm (4")

Vertical Clearance Required

200mm (8")



Ordering Information

R-Type® (Powder Coated) with V-Tips*

Belt Width		Ordering Number	Item Code
mm	in.		
450	18	RV450	74633
600	24	RV600	74634
750	30	RV750	74635
900	36	RV900	74636
1050	42	RV1050	74637
1200	48	RV1200	74638
1350	54	RV1350	74639
1500	60	RV1500	74640
1800	72	RV1800	74642

*NOTE: V-Tips can be used ONLY on vulcanized belts. Additional sizes up to 3000mm (118") available upon request.

R-Type (Stainless Steel) with V-Tips*

Belt Width		Ordering Number	Item Code
mm	in.		
450	18	RV450-S/S	75341
600	24	RV600-S/S	75342
750	30	RV750-S/S	75343
900	36	RV900-S/S	75344
1050	42	RV1050-S/S	75345
1200	48	RV1200-S/S	75356
1350	54	RV1350-S/S	75347
1500	60	RV1500-S/S	75348
1800	72	RV1800-S/S	A1626

*NOTE: V-Tips can be used ONLY on vulcanized belts. Additional sizes up to 3000mm (118") available upon request.

Replacement Tips

Ordering Number	Item Code
RSA150	73628

Lead time: 1 working day

Tips Required per Cleaner Size

mm	450	600	750	900	1050	1200	1350	1500	1800
in.	18	24	30	36	42	48	54	60	72
V-Tips Required	3	4	5	6	7	8	9	10	12

Authorized Distributor:

236 Albert Amon Rd • Meadowdale Ext. 7 • Germiston 1614 • South Africa
Tel: +27-11-608-4180 • Fax: +27-11-454-5821 • E-mail: flexco@flexco.co.za

Visit www.flexco.com for other Flexco locations and products.

©2015 Flexible Steel Lacing Company. 07/15. For reorder: X3953

