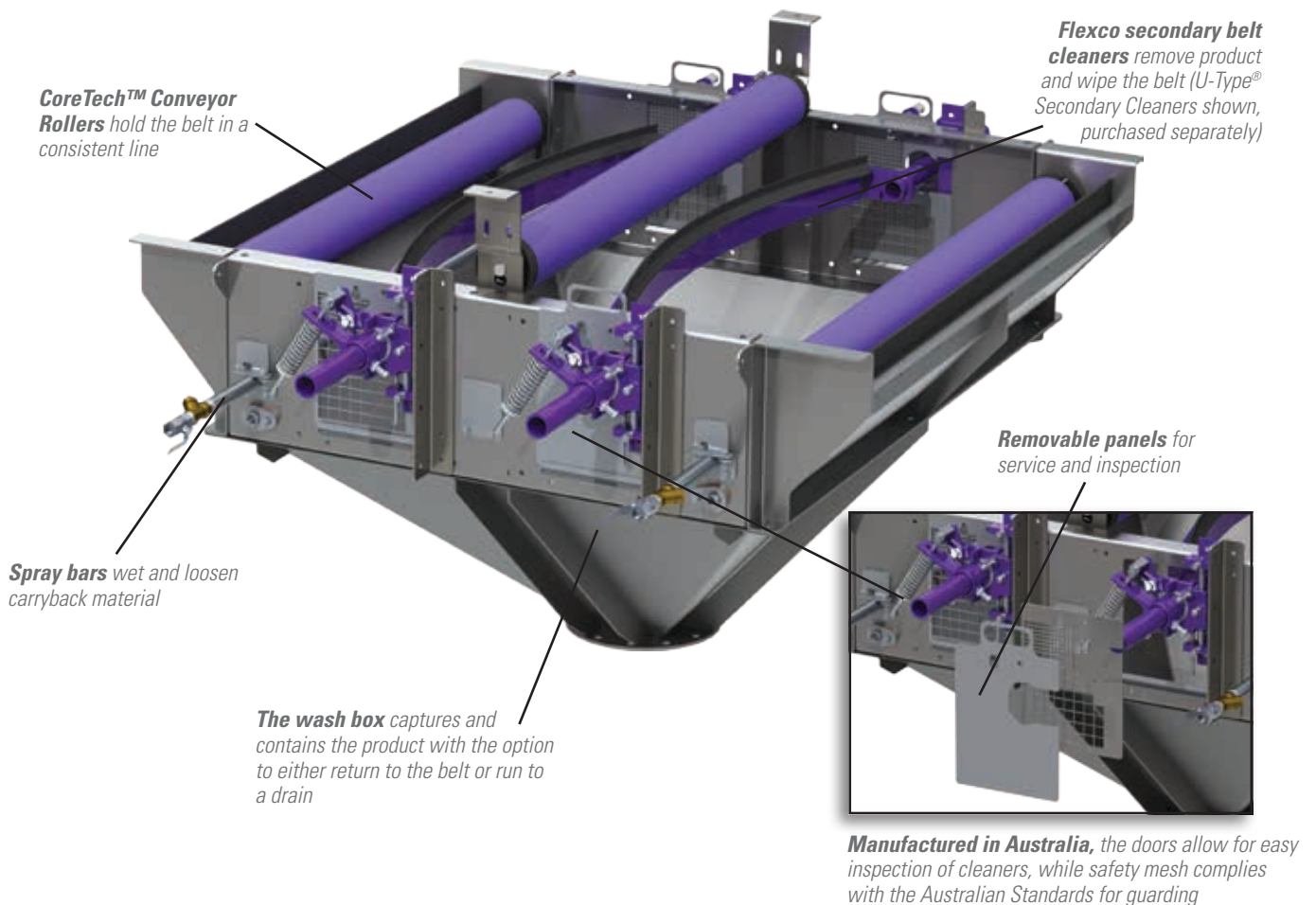


WASH BOX

Superior Belt Washing System for the Toughest Belts

The Flexco Wash Box was designed to deliver superior cleaning efficiency in applications where the conveyor must be very clean or when head-end cleaning is not possible. Mounted on the return side of the belt, each stainless steel washbox is equipped with a combination of pressure rollers, spray bars and recovery system. The Wash Box is designed to accommodate any two secondary belt cleaners from the Flexco range. Purchased separately to the Wash Box, the cleaners can be chosen to suit your application or budget. The Flexco Wash Box system provides high-efficiency belt cleaning with customised solutions for even the toughest applications.



Features and Benefits

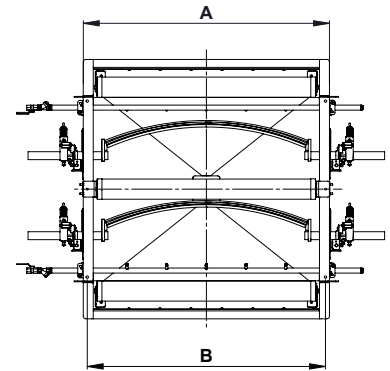
- **Mounts to existing stringers.** Drill and bolt fitment minimises installation and downtime. The bolted panel construction allows easy fitment into existing structure, particularly in tight spaces and can be positioned along the conveyor as required.
- **Fits all Flexco secondary cleaners.** The wash box can be fitted with any two secondary cleaners from the Flexco range to suit your application and enhance wash box efficiency. Secondary belt cleaners are purchased separately to the washbox, which comes with rollers and spray bars as standard.
- **Simple inspection and maintenance.** The wash box is fitted with separate bolted mesh panels and snap-on solid inspection doors.
- **Reliability of long-wearing, lightweight, CoreTech™ Conveyor Rollers.** The Wash Box includes inbye and outbye support rollers that are mounted to the wash box, plus an adjustable hold down roller to keep consistent cleaner tip contact.
- **Spray Bars for loosening carryback material.** The wash box includes a belt wash spray bar on the inbye side and flushing spray bar on the outbye side.
- **Stainless steel construction is standard.** Other materials can be used upon request.

Wash Box

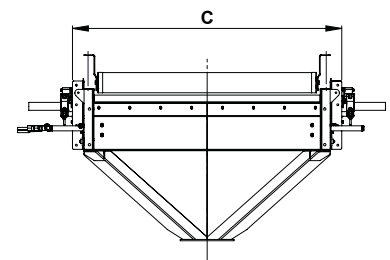
Ordering Information

Wash Box								
Belt Width	Ordering Number	Item Code	"A"	"B"	"C"	"D"	Mass kg	Volume m ³
			mm	mm	mm	mm		
			Outside Conveyor Stringers	Mounting Hole Centres	Overall Width	Height to Outlet Flange	Excludes Cleaners & Rolls	Enclosed in Wash Box
600	WB-SS-600	62942	910	850	1,085	940	295	0.7
750	WB-SS-750	62943	1,060	1,000	1,235	955	310	0.8
900	WB-SS-900	62944	1,210	1,150	1,385	995	330	1.0
1,050	WB-SS-1050	62945	1,360	1,300	1,535	1,015	345	1.1
1,200	WB-SS-1200	62946	1,510	1,450	1,685	1,060	365	1.3
1,350	WB-SS-1350	62947	1,710	1,650	1,885	1,110	390	1.5
1,400	WB-SS-1400	62948	1,760	1,700	1,935	1,125	395	1.6
1,500	WB-SS-1500	62949	1,860	1,800	2,035	1,150	410	1.7
1,600	WB-SS-1600	62950	2,060	2,000	2,235	1,210	435	1.9
1,800	WB-SS-1800	62951	2,260	2,200	2,435	1,265	465	2.2
2,000	WB-SS-2000	62952	2,460	2,400	2,635	1,325	505	2.4

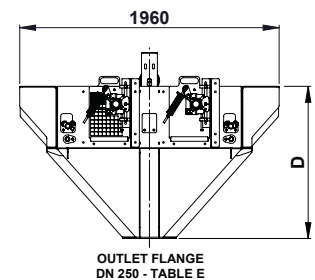
The dimensions, mass & volumes shown here are nominal for a standard Flexco Wash Box and will be confirmed to suit each specific application.



"A" Dimension: Outside Conveyor Stringers
"B" Dimension: Mounting Hole Centres



"C" Dimension: Overall Width

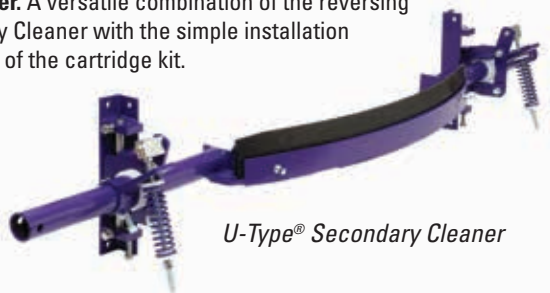


"D" Dimension: Height to Outlet Flange

A range of secondary cleaners to choose from

With spray bars and rollers as standard, the Flexco Wash Box was designed to accommodate any two secondary cleaners from the Flexco range.

- **P-Type® Secondary Cleaner.** A compact and reliable choice for maintaining a highly efficient cleaning system.
- **R-Type® Secondary Cleaner.** Recommended for reversing belts, the R-Type is a versatile and effective choice – regardless of belt direction.
- **MHS Heavy-Duty Secondary Cleaner.** Designed to deliver and maintain superior cleaning efficiency, even on the most demanding and abusive beltlines with long-lasting performance and low maintenance.
- **U-Type® Secondary Cleaner.** Designed for constant blade-to-belt contact for the highest cleaning efficiency – especially in tough applications requiring removal of water and sticky carryback materials.
- **MHS Enhanced Service Advantage Cartridge Heavy-Duty Secondary Cleaner.** The superior cleaning efficiency of the proven MHS Secondary Cleaner with the added benefit of superior, service-friendly cartridge removal.
- **P-Type® Enhanced Service Advantage Cartridge Heavy-Duty Secondary Cleaner.** Combines the compact and effective P-Type Secondary Cleaner with the easy-to-use cartridge kit.
- **R-Type® Enhanced Service Advantage Cartridge Heavy-Duty Secondary Cleaner.** A versatile combination of the reversing R-Type Secondary Cleaner with the simple installation and maintenance of the cartridge kit.



U-Type® Secondary Cleaner



MHS Enhanced Service Advantage Cartridge Heavy-Duty Secondary Cleaner

Authorized Distributor:

