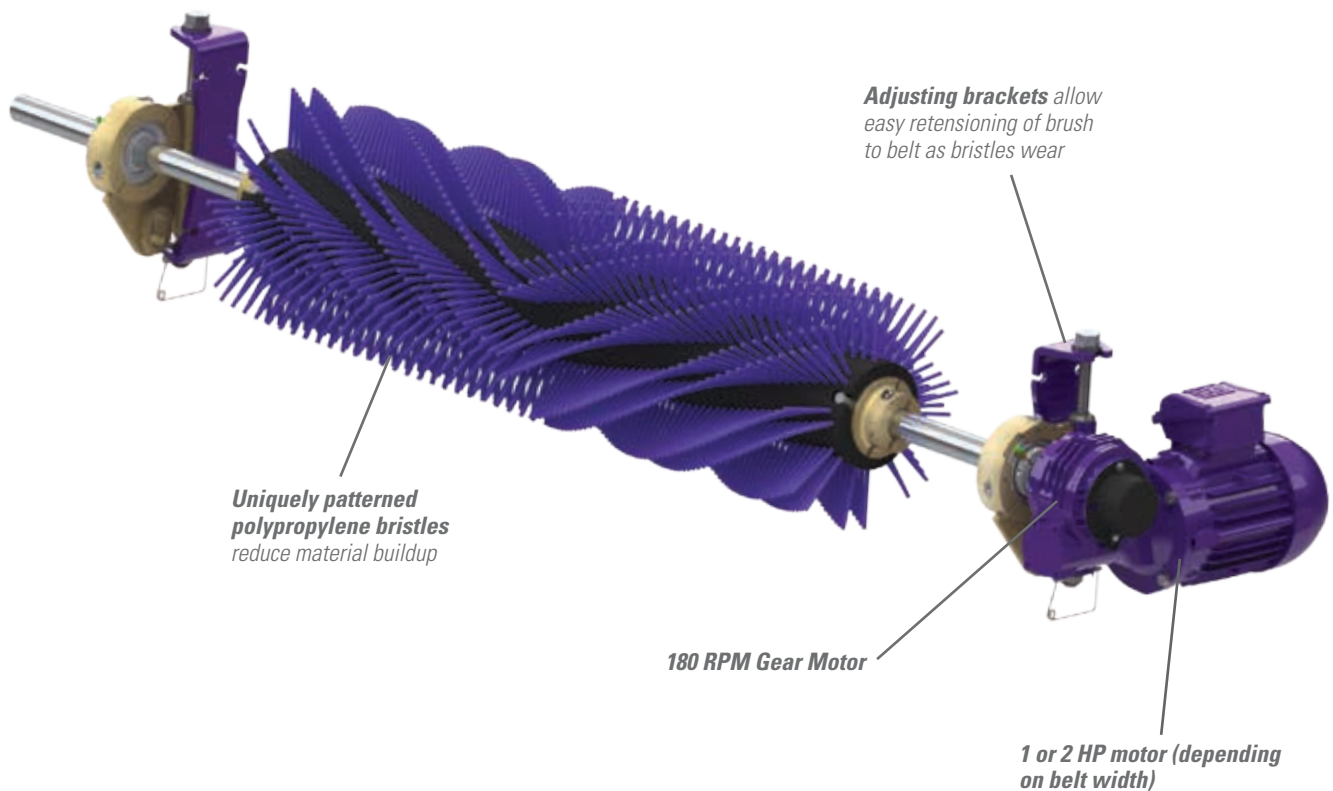


MOTORISED BRUSH CLEANER

Effective Cleaning Solution for Chevron, Cleated and Raised-rib Belts

Chevron, cleated and raised-rib belts present a special problem for efficient cleaning. The Motorised Brush Cleaner is an ideal option for cleaning these belts. It also performs well as the second or third cleaner in a system with worn or pitted belts, as the bristles effectively dislodge trapped material.



Features and Benefits

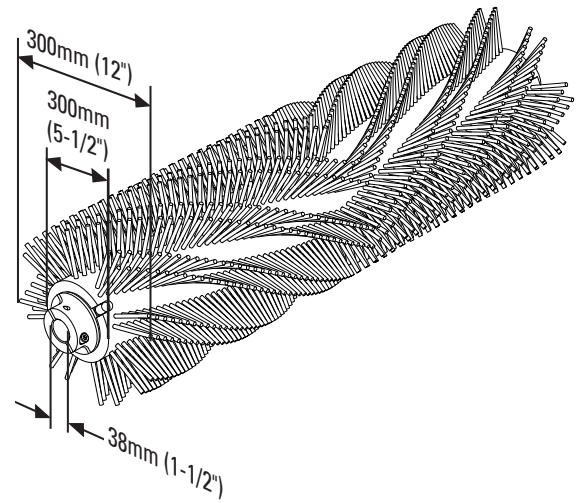
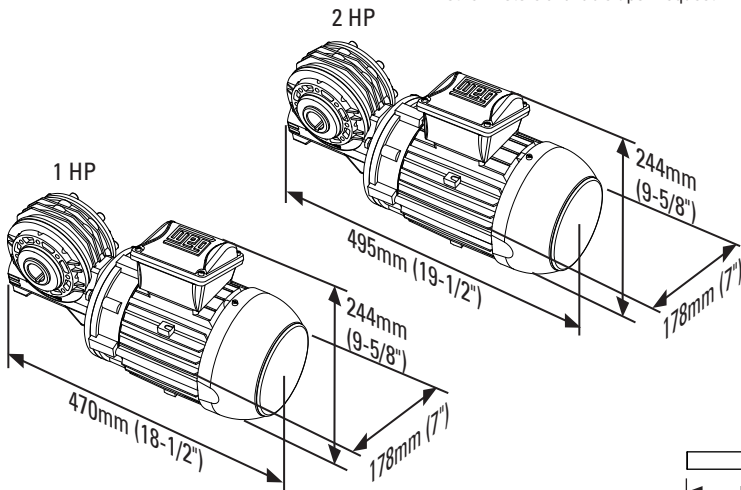
- **Maximum Cleaning.** Spins opposite the belt direction for optimal cleaning.
- **Uniquely patterned bristles.** Aids in reducing material buildup and clogging.
- **Adjustable tensioners.** Allows easy brush-to-belt adjustment as the bristles wear.
- **Works on mechanically spliced or vulcanized belts.**

MOTORISED BRUSH CLEANER

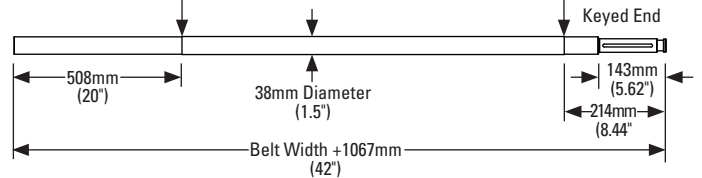
Specifications and Guidelines

- **Maximum Belt Speed**
3.5 M/sec (700 FPM)
- **Temperature Rating**
-30° C to 82° C (-20°F to 180° F)
- **CEMA Cleaner Rating**
Class 4
- **Overall Brush Diameter**
305mm (12")
- **Bristle Material**
Polypropylene
- **Bristle Length**
83mm (3-1/4")
- **Brush RPM**
180
- **Shaft Diameter**
38mm (1-1/2")
- **Shaft Length**
Belt Width +1067mm (42")
- **Maximum Chevron or Cleat Height**
13mm (1/2")
- **Motor Voltage and HP**
208-230/460VAC 3 Phase*
1HP Cleaners 450-1050mm (18-42")
2HP Cleaners 1200-2100mm (48-84")
575V 3 Phase*
1HP Cleaners 450-900mm (18-36")
2HP Cleaners 1050-2100mm (42-84")
- **Available for Belt Widths**
450 to 2100mm (18" to 84")
- **Horizontal Clearance Required**
305mm (12")
- **Vertical Clearance Required**
305mm (12")

*other motors available upon request



Shaft Measurements
Bearing Stops



Ordering Information

Motorized Brush Cleaner 208-230/460 VAC 3-Phase Motor					
Belt Width		Brush Coverage		Ordering Number	Item Code
mm	in.	mm	in.		
450	18	450	18	MBC-18	79494
600	24	600	24	MBC-24	79495
750	30	750	30	MBC-30	79496
900	36	900	36	MBC-36	79497
1050	42	1050	42	MBC-42	79498
1200	48	1200	48	MBC-48	79499
1350	54	1350	54	MBC-54	79500
1500	60	1500	60	MBC-60	79501
1800	72	1800	72	MBC-72	79502
2100	84	2100	84	MBC-84	79503

Motorized Brush Cleaner 575V 3-Phase Motor					
Belt Width		Brush Coverage		Ordering Number	Item Code
mm	in.	mm	in.		
450	18	450	18	MBC-18-575V	79914
600	24	600	24	MBC-24-575V	79915
750	30	750	30	MBC-30-575V	79916
900	36	900	36	MBC-36-575V	79917
1050	42	1050	42	MBC-42-575V	79918
1200	48	1200	48	MBC-48-575V	79919
1350	54	1350	54	MBC-54-575V	79920
1500	60	1500	60	MBC-60-575V	79921
1800	72	1800	72	MBC-72-575V	79922
2100	84	2100	84	MBC-84-575V	79923

Replacement Brushes	
Ordering Number	Item Code
MBRD-18	79514
MBRD-24	79515
MBRD-30	79516
MBRD-36	79517
MBRD-42	79518
MBRD-48	79519
MBRD-54	79520
MBRD-60	79521
MBRD-72	79522
MBRD-84	79523

Authorized Distributor:

Flexco (Aust.) Pty. Ltd • 10 Solent Circuit • Baulkham Hills NSW 2153 • Australia
Tel: 612-8818-2000 • Fax: 612-8824-6333 • E-mail: salesau@flexco.com

Visit www.flexco.com for other Flexco locations and products.

©2016 Flexible Steel Lacing Company. 07/13/16. For reorder: X3664

