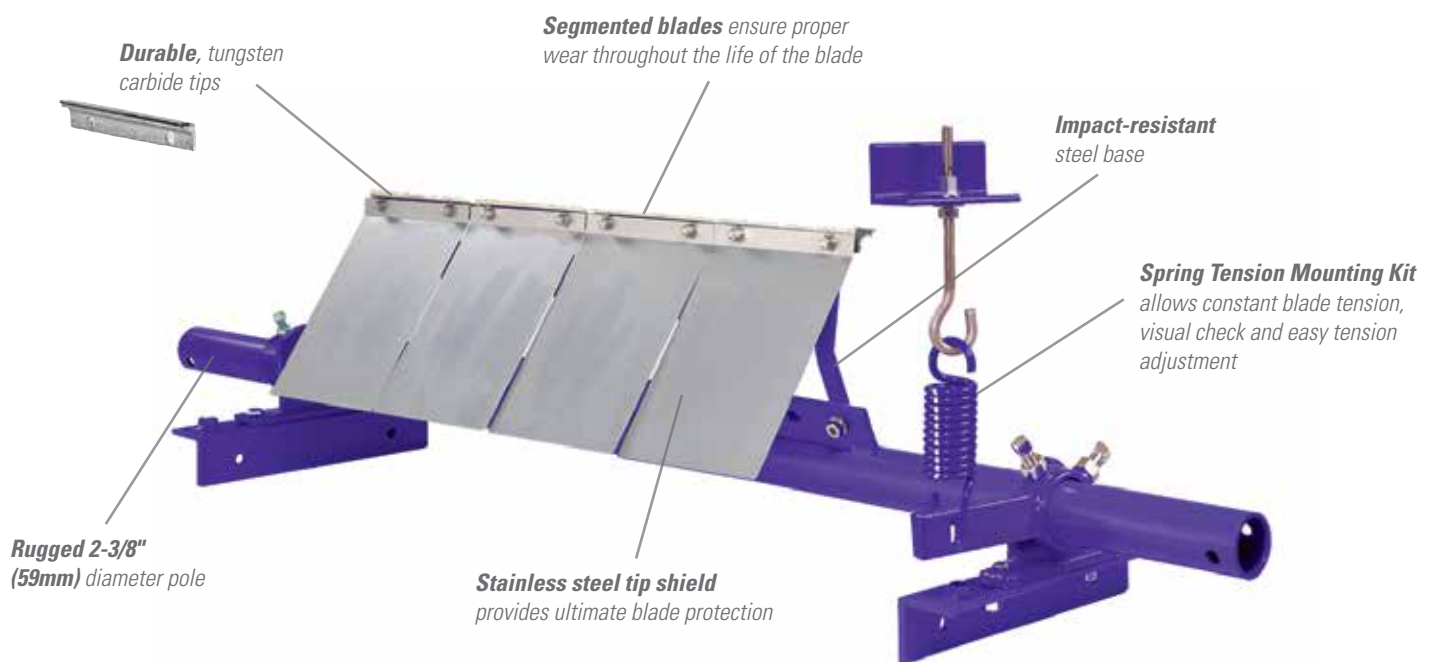


H-TYPE[®] High-Temp Precleaner with V-Tips

Vulcanized Belt, High Temp Precleaner

The Flexco H-Type[®] Precleaner with High Temperature V-Tips is designed to be positioned on the head pulley and to remove the bulk of the carryback from the belt. It has the ability to withstand ambient temperatures up to 400° F (204° C) and spikes up to 450° F (232° C). Proven performance over 20 years as the most efficient primary cleaner in material handling applications such as coal, iron ore, bauxite and hard rock mining.



Features and Benefits

- **Works with vulcanized belts.** The tungsten carbide tips allow for maximum cleaning efficiency and superior wear characteristics. Comes with protected tips for abrasive applications.
- **Complete cleaning system.** When teamed with a secondary cleaner, it makes up a system that delivers maximum cleaning power for the most abusive conveyor applications.
- **Made for mining conveyors.** Made from heavy-duty steel with corrosion-resistant powder coating, the H-Type is available in sizes for belt widths from 18" to 48" (450 to 1200mm). Additional sizes are available upon request.
- **Optimal positioning.** Blade contact on the pulley is 15° below the horizontal centerline. This keeps the blades out of the discharge path and protects them from rocks, large lumps and other debris.

H-TYPE[®] High-Temp Precleaner with V-Tips

Specifications and Guidelines

Maximum Belt Speed

1000 FPM (5 M/sec)

Temperature Rating

-30° F to 400° F (-35° C to 204° C)
spikes up to 450° F (232° C)

Minimum Pulley Diameter

8" (200 mm)

Usable Blade Wear Length

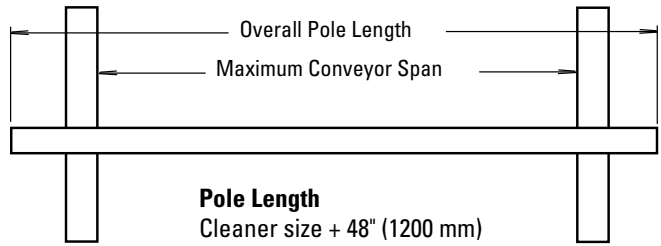
3/8" (9 mm)

Blade Material

Tungsten carbide (for vulcanized belts only)

Available for Belt Widths

18" to 48" (450 to 1200 mm)

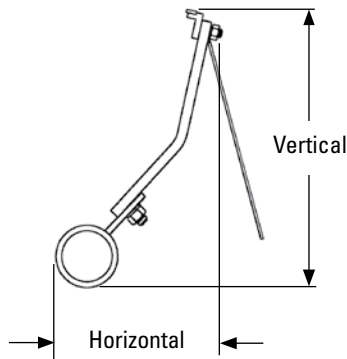


Pole Length

Cleaner size + 48" (1200 mm)

Maximum Conveyor Span

Cleaner size + 38" (950 mm)



Horizontal Clearance Required

7" (175 mm)

Vertical Clearance Required

SS: 13" (325 mm)

S: 15" (375 mm)

M: 16-1/2" (413 mm)

Ordering Information

High Temp Precleaner with V-Tips

Belt Width	Suspension Arm Size	Ordering Number	Item Code
in.	mm		
18	450	SS	HTV18SS 74821
18	450	S	HTV18S 74828
24	600	SS	HTV24SS 74822
24	600	S	HTV24S 74829
30	750	SS	HTV30SS 74823
30	750	S	HTV30S 74830
36	900	SS	HTV36SS 74824
36	900	S	HTV36S 74831
36	900	M	HTV36M 74838
42	1050	SS	HTV42SS 74825
42	1050	S	HTV42S 74832
42	1050	M	HTV42M 74839
48	1200	SS	HTV48SS 74826
48	1200	S	HTV48S 74833
48	1200	M	HTV48M 74840

Suspension arm size is determined by head pulley diameter- see chart.

Pole Diameter - 2-3/8" (60mm)

Lead time: 1 working day

Suspension Arm Size

Head Pulley Diameter + Belt & Lagging		Suspension Arm Size
in.	mm	
8 - 15	200 - 375	SS
16 - 27	400 - 675	S
28 - 35	700 - 875	M

Replacement V-Tips

Ordering Number	Item Code
HVT8	73042

Lead time: 1 working day

Replacement Suspension Arms

Suspension Arm Size	Ordering Number	Item Code
SS	HSA8SS	73047
S	HSA8S	73048
M	HSA8M	73049

Lead time: 1 working day

Authorized Distributor:

New Door No. 51 • Anna Salai, Nagalkeni • Pammal Village • Chennai - 600 044 • Tamil Nadu • India
Tel: +91-44-4856-6762 • E-mail: info.india@flexco.com

Visit www.flexco.com for other Flexco locations and products.

©2018 Flexible Steel Lacing Company. 02-20-19. For reorder: X2968

