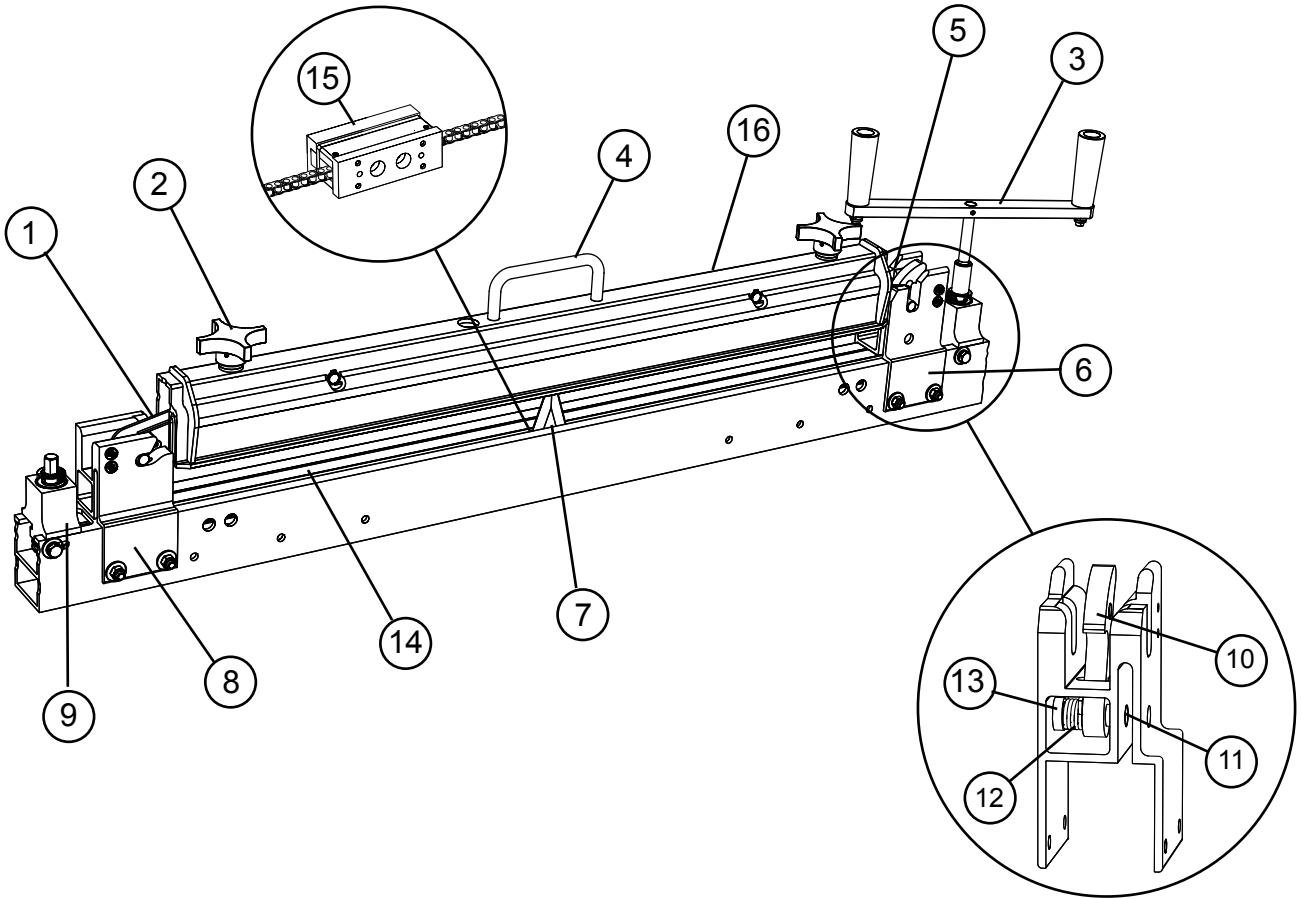


900 Series Belt Cutter Parts List



REF.	ITEM CODE	DESCRIPTION
1	04169	Clamp Arm Assembly, Left
2	04155	Clamp Knob/Screw Kit
3	04140	Drive Handle Assembly
4	04148	Carrying Handle Kit (for bolt handle replacement only)
5	04168	Clamp Arm Assembly, Right
6	04186	Right Upright Assembly
7	04149	Blade Replacement Kit
8	04264	Left Upright, Slotted
9	04141	Bearing Block Assembly
10	04133	Quick Release Latch
11	04132	Latch Shaft
12	04130	Latch Spring, Right
13	04131	Latch Spring Spacer
14	03500	Grip Tape

REF.	ITEM CODE	DESCRIPTION
15	04202	900 Series Belt Cutter 24" Chain Replacement Kit
	04156	900 Series Belt Cutter 36" Chain Replacement Kit
	04157	900 Series Belt Cutter 48" Chain Replacement Kit
	04158	900 Series Belt Cutter 60" Chain Replacement Kit
	04159	900 Series Belt Cutter 72" Chain Replacement Kit
	04160	900 Series Belt Cutter 84" Chain Replacement Kit
	04195	900 Series Belt Cutter 96" Chain Replacement Kit
	16	04203
04161		900 Series Belt Cutter 36" Clamp Assy
04162		900 Series Belt Cutter 48" Clamp Assy
04163		900 Series Belt Cutter 60" Clamp Assy
04164		900 Series Belt Cutter 72" Clamp Assy
04165		900 Series Belt Cutter 84" Clamp Assy
04196		900 Series Belt Cutter 96" Clamp Assy



1995 Oak Industrial Dr. NE • Grand Rapids, MI 49505 U.S.A.

Telephone: (616)-459-3196 • Fax: (616)-459-4976 • E-mail: info@flexco.com • Web: www.flexco.com

Australia: 61-2-9680-3322 • China: 86-21-33528388 • England: 44-1274-600-942
 Germany: 49-7428-9406-0 • Mexico: 52-55-5674-5326 • South Africa: 27-11-608-4180

©2008 Flexible Steel Lacing Company. 09/09. For Reorder: X1594

