

PT Max™ Roller Data Sheet

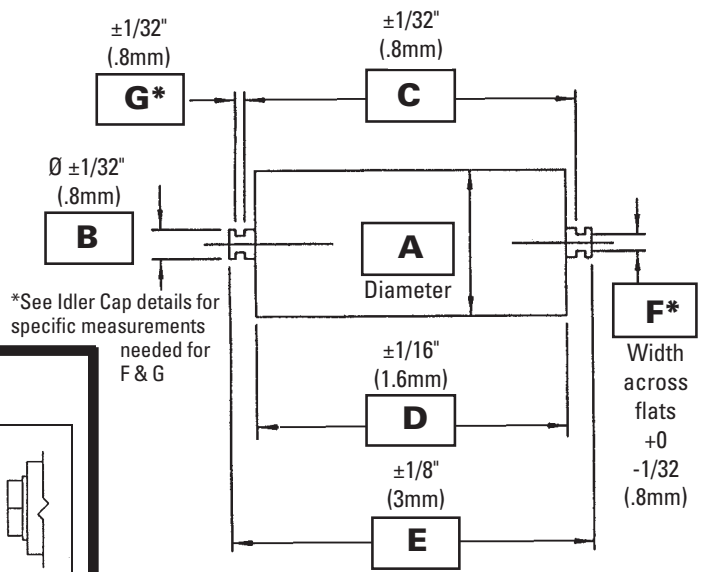
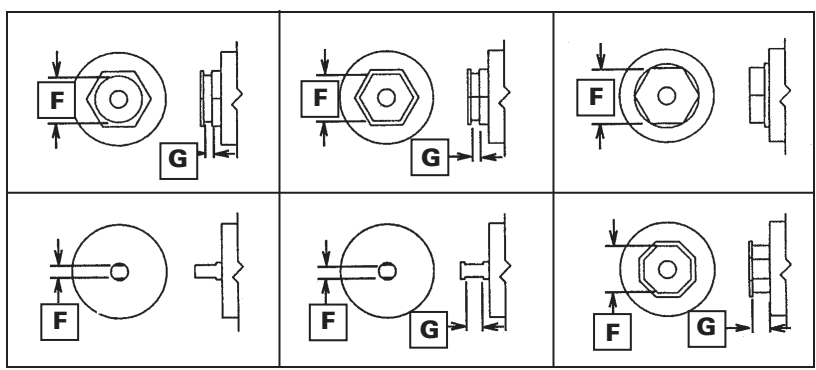
CUSTOMER INFO:

Company Name: _____ Date: _____
 Address: _____ Phone #: _____
 Contact Name: _____ Fax #: _____
 Title/Position: _____ e-Mail: _____
 Conveyor Name: _____ PO #: _____
 Trainer Location: _____ Distributor: _____

INSTRUCTIONS:

1. Circle idler cap type in section 1.
2. Fill in conveyor information in section 2.
3. Fill in roller dimensions specs in section 3.
4. For unique or unusual mounting or surroundings, attach digital images or sketches. When conveyor is structural angle/channel/tee, sketch the orientation of the structure for mounting.
5. Email to PTMaxOrders@flexco.com

1. Idler Cap Type



*See Idler Cap details for specific measurements needed for F & G

See next page for chart for minimum clearance needed from top of roller to bottom of PT Max.

Questions? Contact Ryan Holowaty at (616) 242-1724 or email rhollowaty@flexco.com

2. Conveyor Information

Conveyor Name	
CEMA Rating (if known)	
Belt Thickness	
Belt Width	
Troughing Angle	
Return Roller Angle	
Material Carried	
Number of Rolls in Troughing Set	
Equal/Unequal Trough Rolls (if unequal, do this sheet for each size)	
Roller Brand	

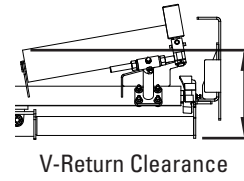
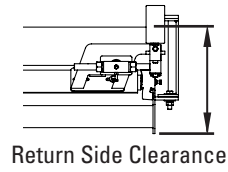
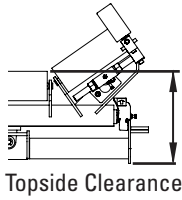
3. Roller Dimensions

Roller dimensions are easily measured from a spare roller not installed in the conveyor system.

A	
B	
C	
D	
E	
F	
G	

Top of Roller to Bottom of PT Max Minimum Clearance Needed

ROLL DIAMETER		TOPSIDE						RETURN SIDE						V-RETURN					
		Standard		Heavy-Duty		Super-Duty		Standard		Heavy-Duty		Super-Duty		Standard		Heavy-Duty		Super-Duty	
in.	mm	in.	mm	in.	mm	in.	mm	in.	mm	in.	mm	in.	mm	in.	mm	in.	mm	in.	mm
5	127	16	406	17	432	22.25	570	17	432	18	457	22.75	580	16	406	17	432	22.25	570
6	152	17	432	18	457	23.25	590	18	457	19	483	23.75	600	17	432	18	457	23.25	590
7	178	18	457	19	483	24.25	620	19	483	20	508	24.75	630	18	457	19	483	24.25	620



2525 Wisconsin Avenue • Downers Grove, IL 60515-4200 • USA
 Tel: (630) 971-0150 • Fax: (630) 971-1180 • E-mail: info@flexco.com

Visit www.flexco.com for other Flexco locations and products.

©2018 Flexible Steel Lacing Company. 01/02/18. For reorder: X1075